



US00D410475S

# United States Patent [19]

Bernadic et al.

[11] **Patent Number: Des. 410,475**

[45] **Date of Patent: \*\* Jun. 1, 1999**

[54] **POLYGONAL INDEXABLE CUTTING INSERT**

4,993,893 2/1991 Niebauer ..... 407/114

[75] Inventors: **Thomas Bernadic**, Madison Heights; **John Patterson**, Hazel Park; **Tony Lowe**, Royal Oak; **Brendan Brockett**, Dearborn, all of Mich.

*Primary Examiner*—Antoine Duval Davis  
*Attorney, Agent, or Firm*—Mary K. Cameron

[73] Assignee: **Valenite Inc.**, Madison Hts., Mich.

[57] **CLAIM**

[\*\*] Term: **14 Years**

The ornamental design for a polygonal indexable cutting insert, as shown.

[21] Appl. No.: **29/093,395**

[22] Filed: **Sep. 10, 1998**

**DESCRIPTION**

**Related U.S. Application Data**

[62] Division of application No. 29/086,047, Apr. 3, 1998, Pat. No. Des. 404,744.

[51] **LOC (6) Cl.** ..... **15-09**

[52] **U.S. Cl.** ..... **D15/139**

[58] **Field of Search** ..... D15/139; 407/113-117

FIG. 1 is a perspective view of an indexable cutting insert showing a first form of our new design;

FIG. 2 is a top plan view of the insert of FIG. 1;

FIG. 3 is a side view of the insert of FIG. 1;

FIG. 4 is a sectional view of the insert of FIG. 2 taken along line 5-5;

FIG. 5 is a sectional view of the insert of FIG. 2 taken along line 6-6;

FIG. 6 is a view of an indexable cutting insert showing a second form of our new design; and,

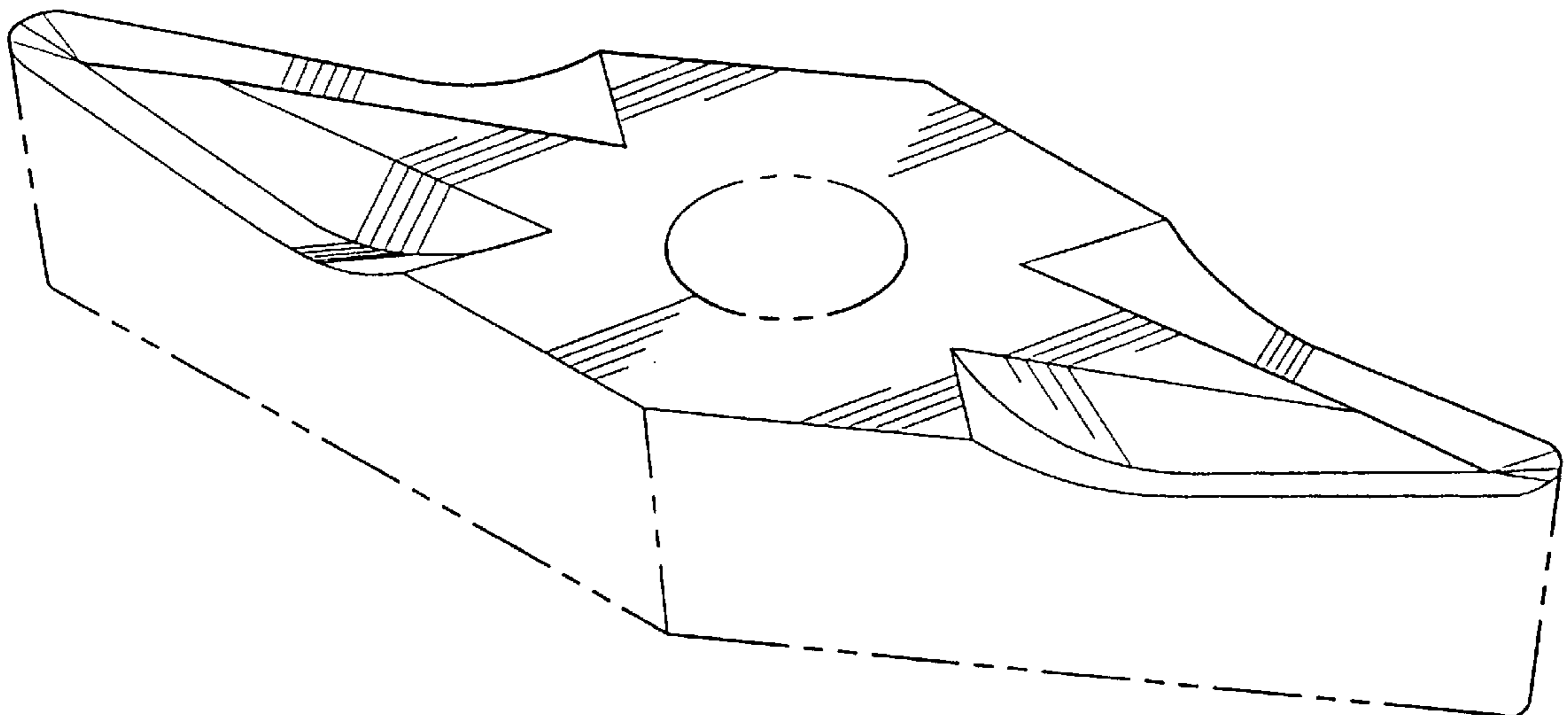
FIG. 7 is a view of an indexable cutting insert showing a third form of our new design.

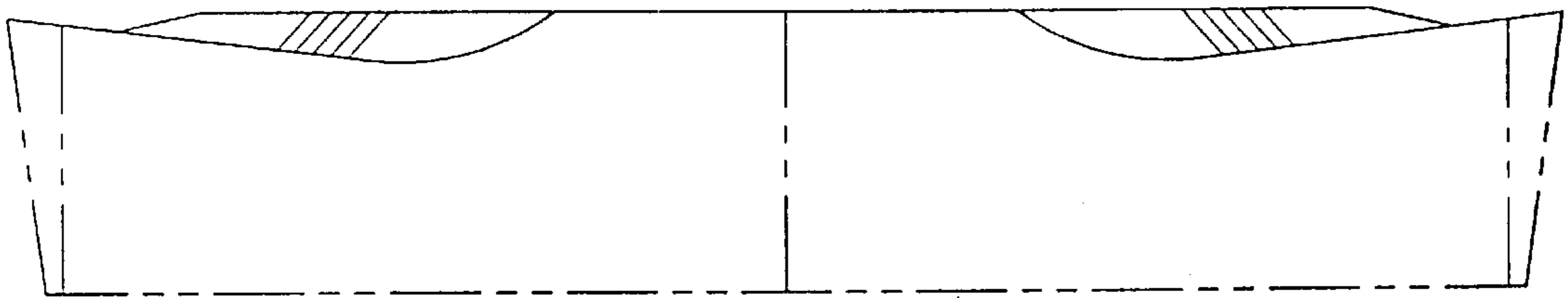
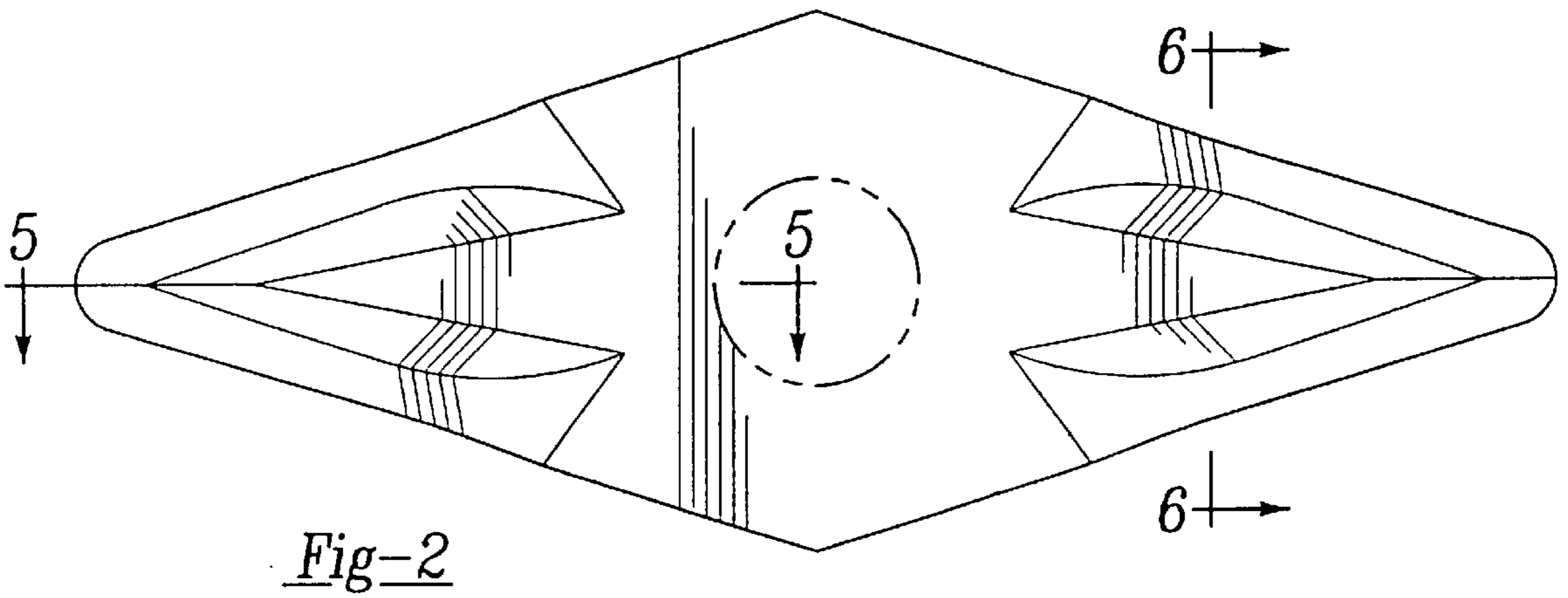
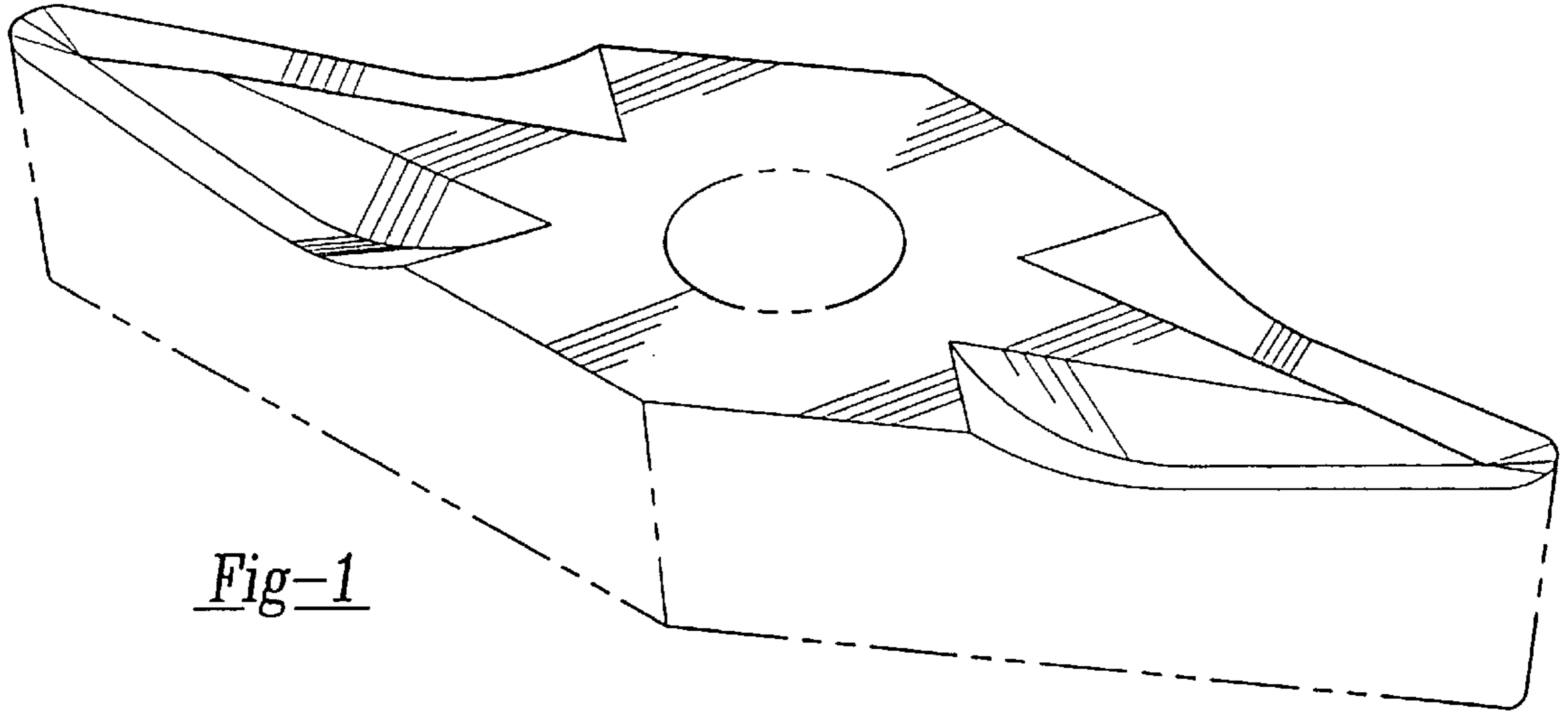
[56] **References Cited**

**U.S. PATENT DOCUMENTS**

4,411,565 10/1983 Hazra et al. .... 407/114

**1 Claim, 3 Drawing Sheets**





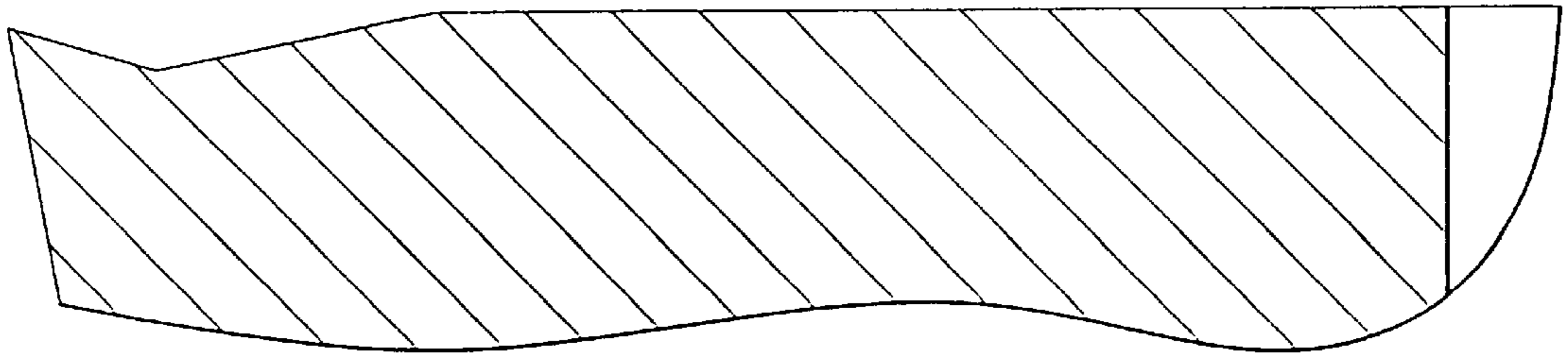


Fig-4

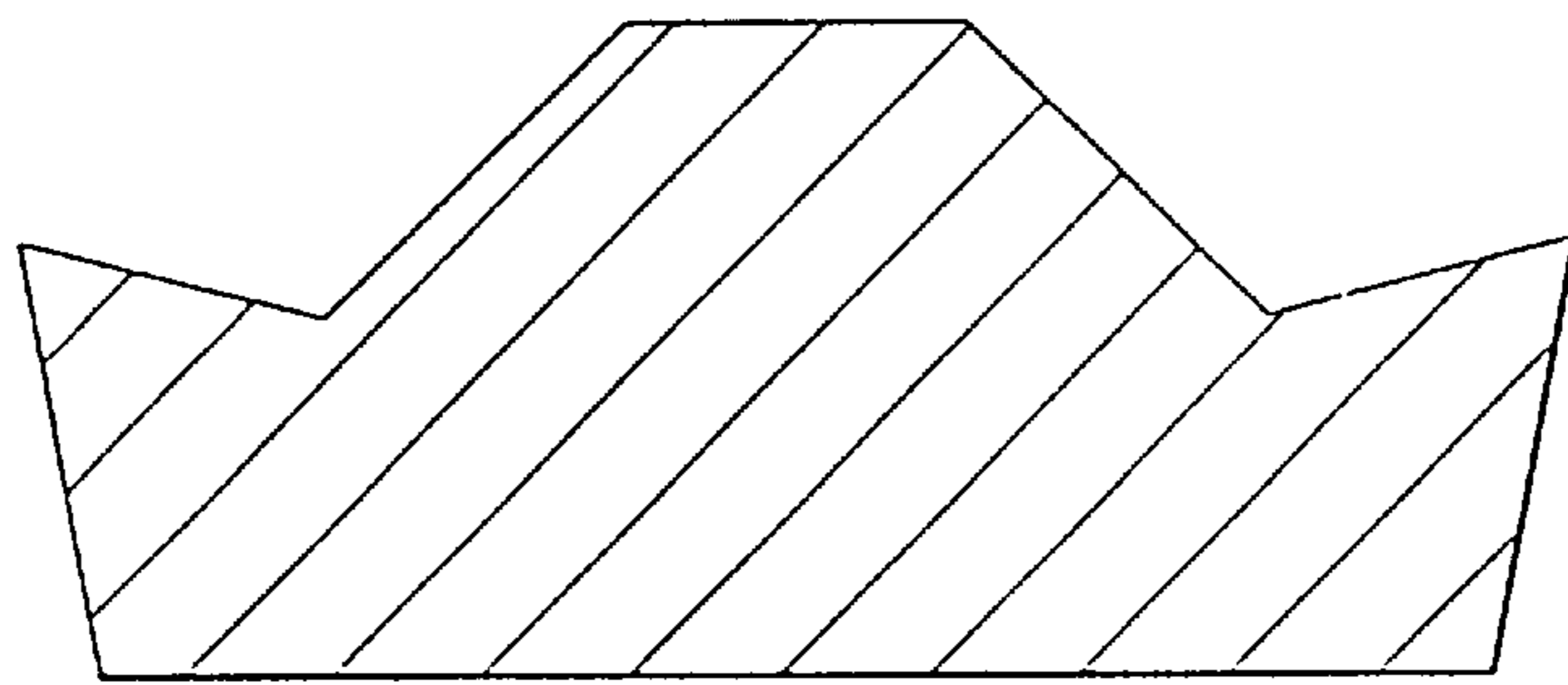


Fig-5

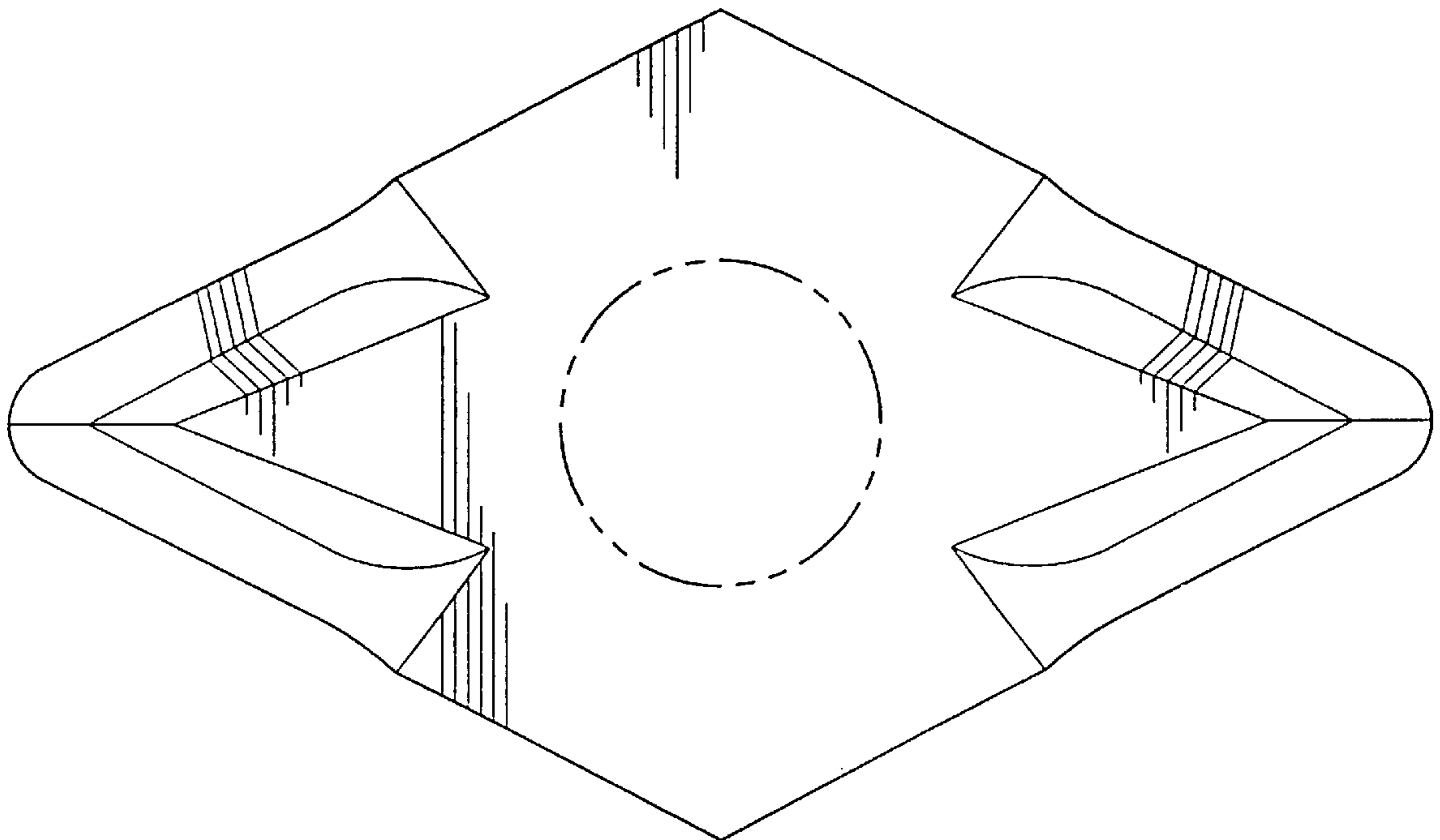


Fig-6

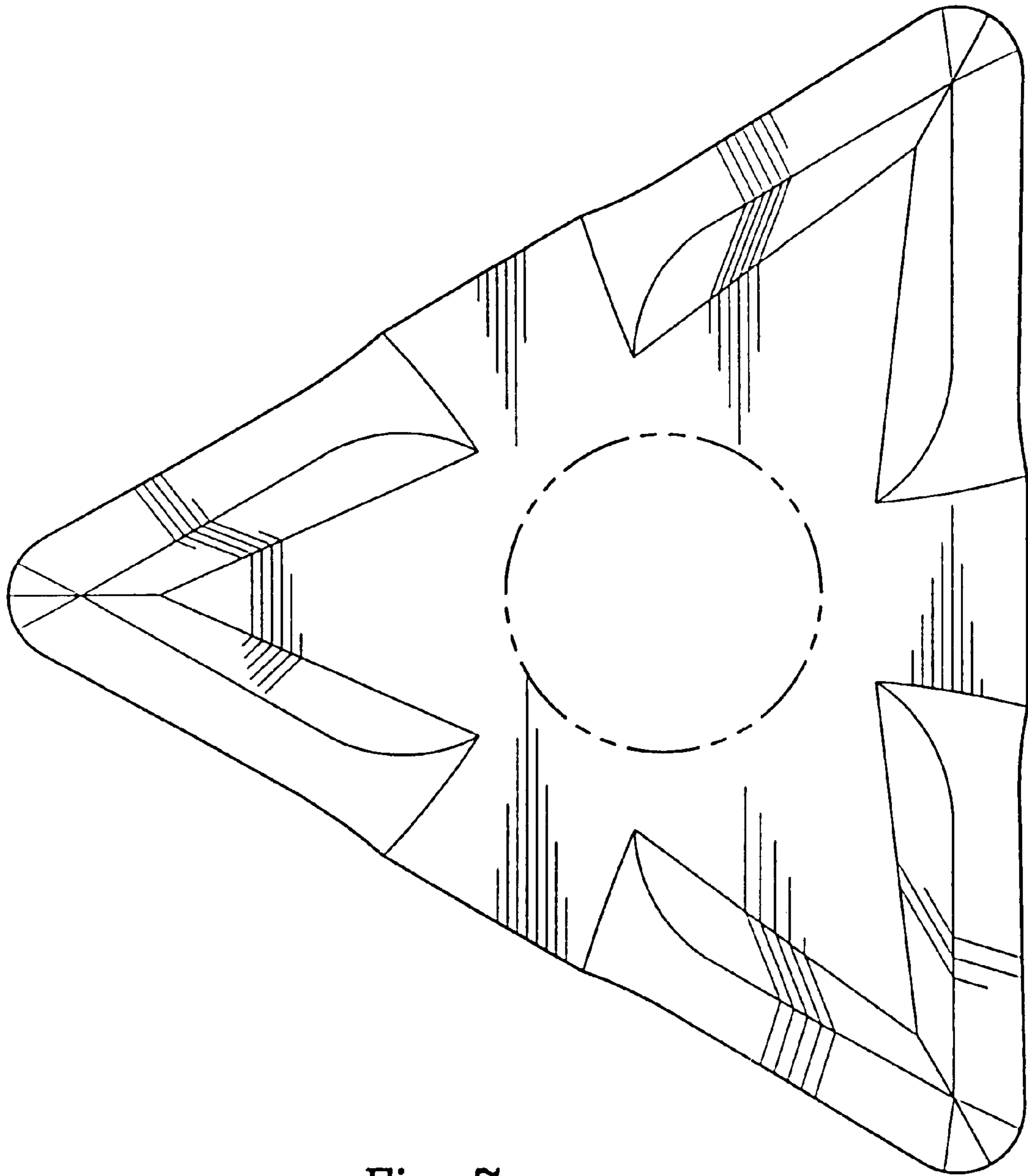


Fig-7