



US00D410474S

United States Patent [19]

Ceroll et al.

[11] Patent Number: **Des. 410,474**

[45] Date of Patent: **** Jun. 1, 1999**

[54] **BLADE HOLDER FOR A TABLE SAW**

[75] Inventors: **Warren A. Ceroll**, Owings Mills; **Robert S. Gehret**, Hampstead; **Daniel Puzio**, Baltimore; **Frederick R. Bean**, Finksburg; **Michael L. O'Banion**, Westminster, all of Md.; **David A. Porter**, Hanover, Pa.; **Daniel A. Ferrara, Jr.**, Bantam, Conn.

[73] Assignee: **Black & Decker Inc.**, Newark, Del.

[**] Term: **14 Years**

[21] Appl. No.: **29/083,053**

[22] Filed: **Jan. 20, 1998**

Related U.S. Application Data

[63] Continuation of application No. 29/070,477, May 8, 1997, Pat. No. Des. 395,322, which is a continuation of application No. 29/057,853, Aug. 1, 1996, Pat. No. Des. 394,071, which is a continuation of application No. 29/051,851, Mar. 1, 1996, abandoned.

[51] **LOC (6) Cl.** **15-09**

[52] **U.S. Cl.** **D15/133**

[58] Field of Search D15/133; 83/432, 83/435, 468.3, 468.7, 477, 472.2, 478, 522.3, 522.1; 269/318, 165, 180

[56] References Cited

U.S. PATENT DOCUMENTS

D. 354,757 1/1995 Wixey D15/133
5,116,249 5/1992 Shiotani et al. 83/468.7 X
5,230,269 7/1993 Shiotani et al. 83/468.7

Primary Examiner—Antoine Duval Davis
Attorney, Agent, or Firm—Adan Ayala

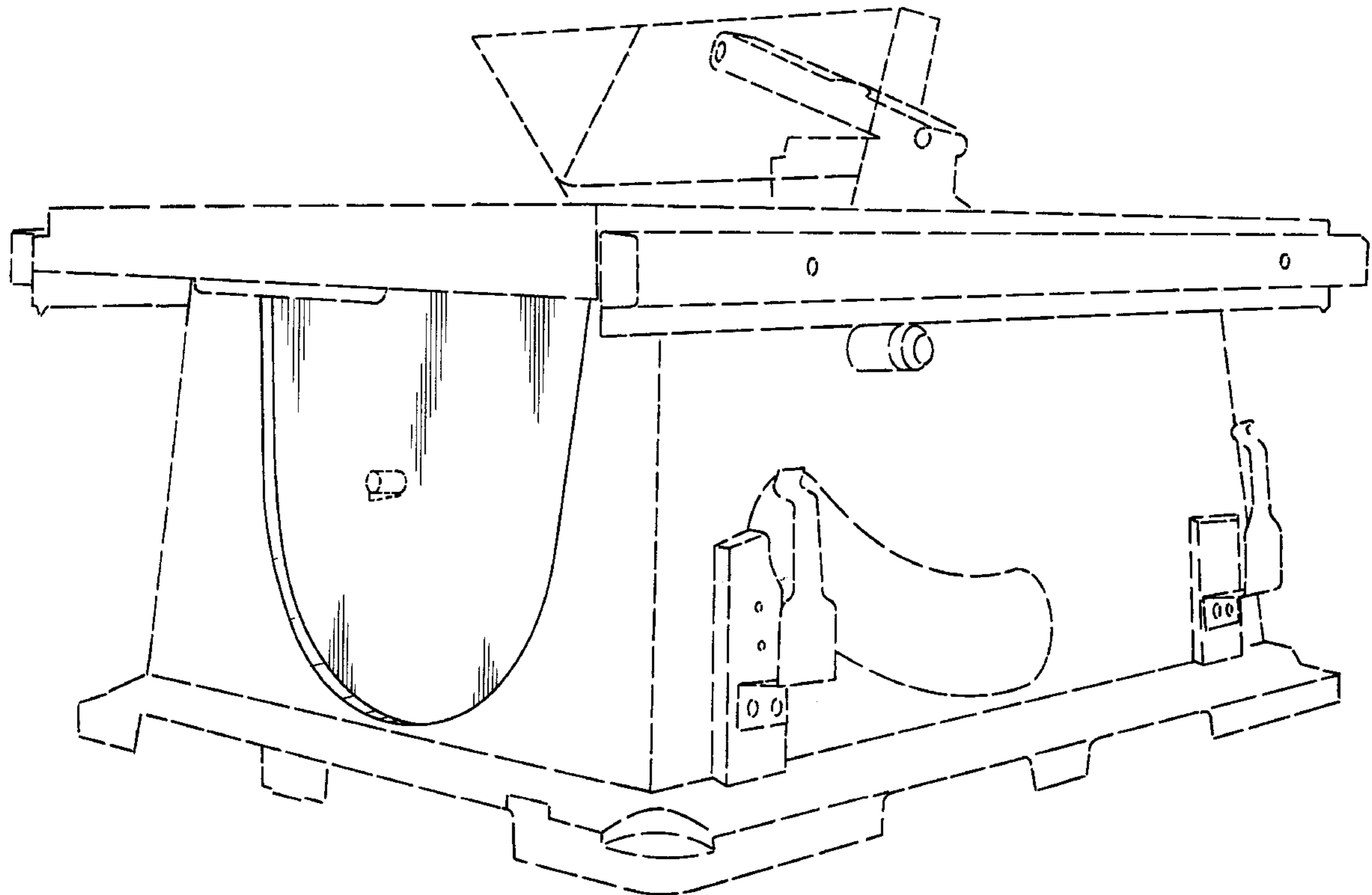
[57] CLAIM

The ornamental design for a blade holder for a table saw, as shown and described.

DESCRIPTION

FIG. 1 is a rear perspective view from the right side of an embodiment of an blade holder for a table saw showing our new design; and, FIG. 2 is a right side elevational view of the embodiment. In the above drawings, any broken line illustration is not part of the design sought to be patented. In addition, any views not shown thereof do no form a part of the invention.

1 Claim, 2 Drawing Sheets



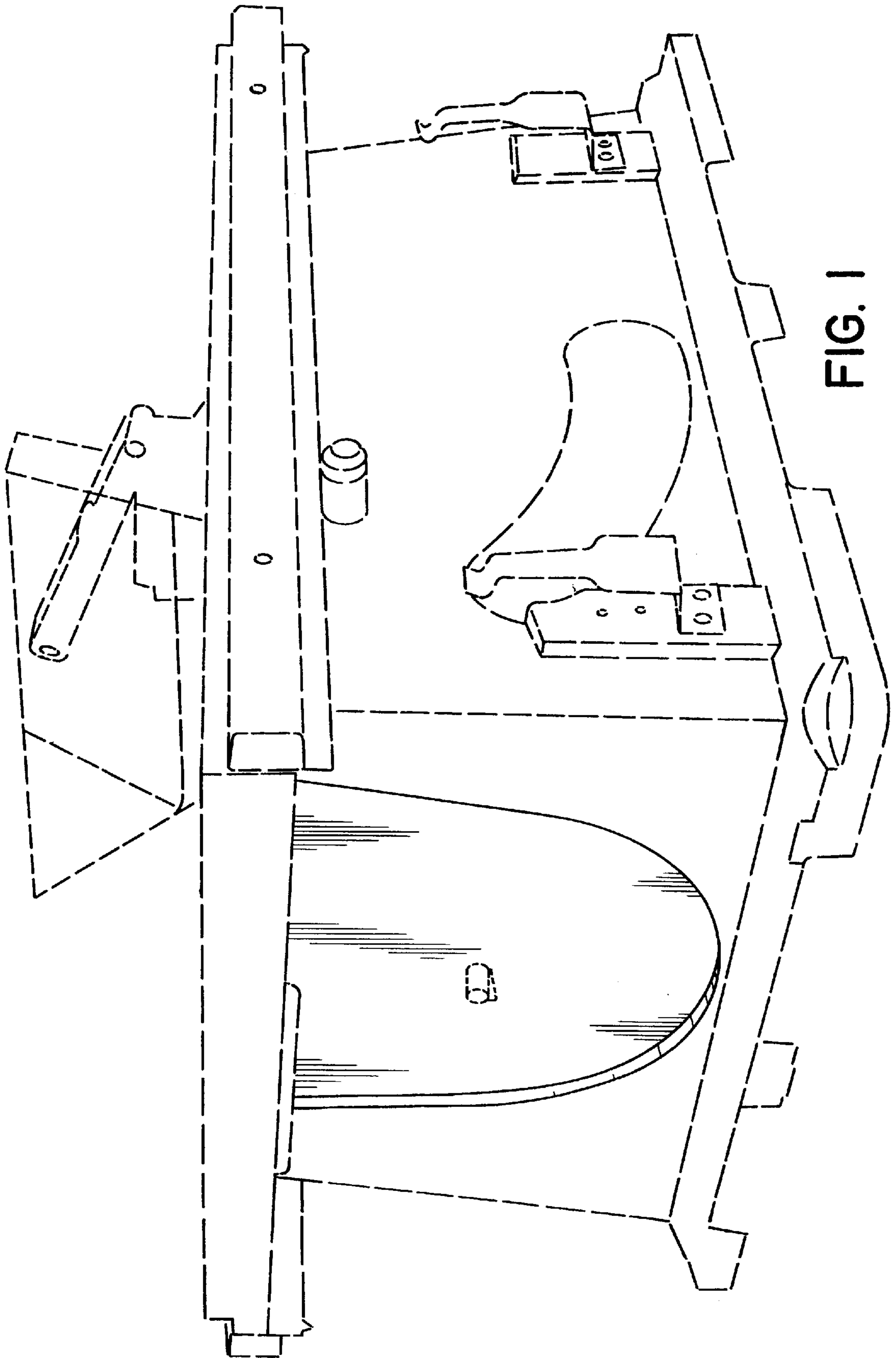


FIG. 1

