



US00D410473S

United States Patent [19]
Higuchi et al.

[11] **Patent Number: Des. 410,473**
[45] **Date of Patent: ** Jun. 1, 1999**

[54] **REFRIGERATOR**

[75] Inventors: **Naoto Higuchi; Aya Sawai; Hideyuki Takasago**, all of Kanagawa, Japan

[73] Assignee: **Mitsubishi Denki Kabushiki Kaisha**, Tokyo, Japan

[**] Term: **14 Years**

[21] Appl. No.: **29/082,937**

[22] Filed: **Jan. 30, 1998**

[30] **Foreign Application Priority Data**

Aug. 20, 1997 [JP] Japan 9-65072

[51] **LOC (6) Cl.** **15-07**

[52] **U.S. Cl.** **D15/86**

[58] **Field of Search** D15/79, 81, 85-88;
62/125-127; 312/139.2, 236

[56] **References Cited**

U.S. PATENT DOCUMENTS

D. 210,560	3/1968	Kennedy et al.	D15/86
D. 236,654	9/1975	Meyer	D15/86
D. 338,899	8/1993	Labree	D15/86
D. 341,144	11/1993	Rice	D15/86

FOREIGN PATENT DOCUMENTS

688181	9/1986	Japan .
688182	9/1986	Japan .
688628	10/1986	Japan .
688629	10/1986	Japan .
688630	10/1986	Japan .
699160	2/1987	Japan .
699160-1	2/1987	Japan .
699161	2/1987	Japan .
699293	2/1987	Japan .
699294	2/1987	Japan .
699295	2/1987	Japan .
699487	2/1987	Japan .
699488	2/1987	Japan .
699489	2/1987	Japan .

699491	2/1987	Japan .
699491-1	2/1987	Japan .
699492	2/1987	Japan .
699493	2/1987	Japan .

(List continued on next page.)

OTHER PUBLICATIONS

Domus No. 683 May 1987. No page Number. Iberna refrigerator.

Catalogue of Refrigerators, Jul. 19, 1994, 18 pages.

Primary Examiner—Sandra L. Morris

Attorney, Agent, or Firm—Oblon, Spivak, McClelland, Maier & Neustadt, P.C.

[57] **CLAIM**

The ornamental design for a refrigerator, as shown and described.

DESCRIPTION

FIG. 1 is a front, top and left side perspective view of a refrigerator, showing our new design;

FIG. 2 is a front elevational view thereof;

FIG. 3 is a rear elevational view thereof;

FIG. 4 is a left side elevational view thereof;

FIG. 5 is a right side elevational view thereof;

FIG. 6 is a top plan view thereof;

FIG. 7 is a bottom plan view thereof;

FIG. 8 is an expanded cross-sectional view thereof, taken along line 8—8 in FIG. 2, with the internal system omitted;

FIG. 9 is an expanded cross-sectional view thereof, taken along line 9—9 in FIG. 2, with the internal system omitted;

FIG. 10 is an expanded view of portion 10 in FIG. 8;

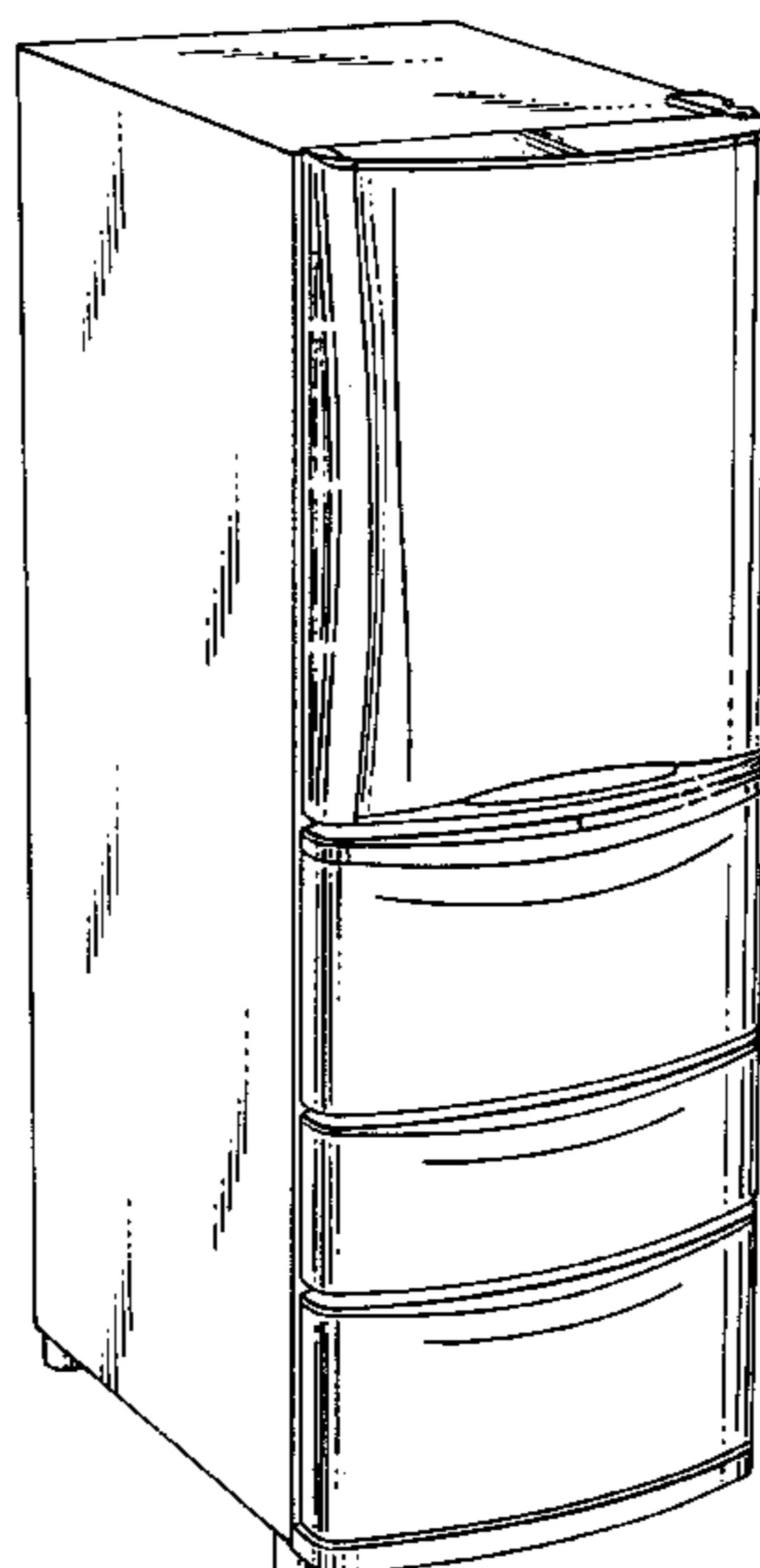
FIG. 11 is an expanded view of portion 11 in FIG. 8;

FIG. 12 is an expanded view of portion 12 in FIG. 9; and,

FIG. 13 is a front, top and left side perspective view thereof, with drawers pulled out.

The interior structure shown in FIGS. 8 and 9 in phantom lines is for illustrative purposes only and forms no part of the claimed design.

1 Claim, 8 Drawing Sheets



FOREIGN PATENT DOCUMENTS

756944	3/1989	Japan .	896793	4/1994	Japan .
756945	3/1989	Japan .	896793-1	4/1994	Japan .
756945-1	3/1989	Japan .	904200	7/1994	Japan .
756946	3/1989	Japan .	896771-1	8/1994	Japan .
756946-1	3/1989	Japan .	896773-1	8/1994	Japan .
756947	3/1989	Japan .	892755-2	11/1994	Japan .
756948	3/1989	Japan .	892755-3	11/1994	Japan .
756949	3/1989	Japan .	892755-4	2/1995	Japan .
756950	3/1989	Japan .	892755-5	2/1995	Japan .
775830	11/1989	Japan .	896773-2	2/1995	Japan .
775831	11/1989	Japan .	896773-3	2/1995	Japan .
775832	11/1989	Japan .	896773-4	2/1995	Japan .
852945	11/1992	Japan .	896773-5	2/1995	Japan .
852946	11/1992	Japan .	896773-6	2/1995	Japan .
852947	11/1992	Japan .	896773-7	5/1995	Japan .
852948	11/1992	Japan .	896792-2	5/1995	Japan .
852948-1	12/1992	Japan .	943262	1/1996	Japan .
892742	3/1994	Japan .	943279	1/1996	Japan .
892743	3/1994	Japan .	954574	5/1996	Japan .
892755	3/1994	Japan .	960410	8/1996	Japan .
892755-1	3/1994	Japan .	961153	8/1996	Japan .
892770	3/1994	Japan .	961189	8/1996	Japan .
896771	4/1994	Japan .	961153-1	9/1996	Japan .
896773	4/1994	Japan .	962685	9/1996	Japan .
896792	4/1994	Japan .	961153-2	1/1997	Japan .
896792-1	4/1994	Japan .	699487-1	2/1997	Japan .

FIG. 1

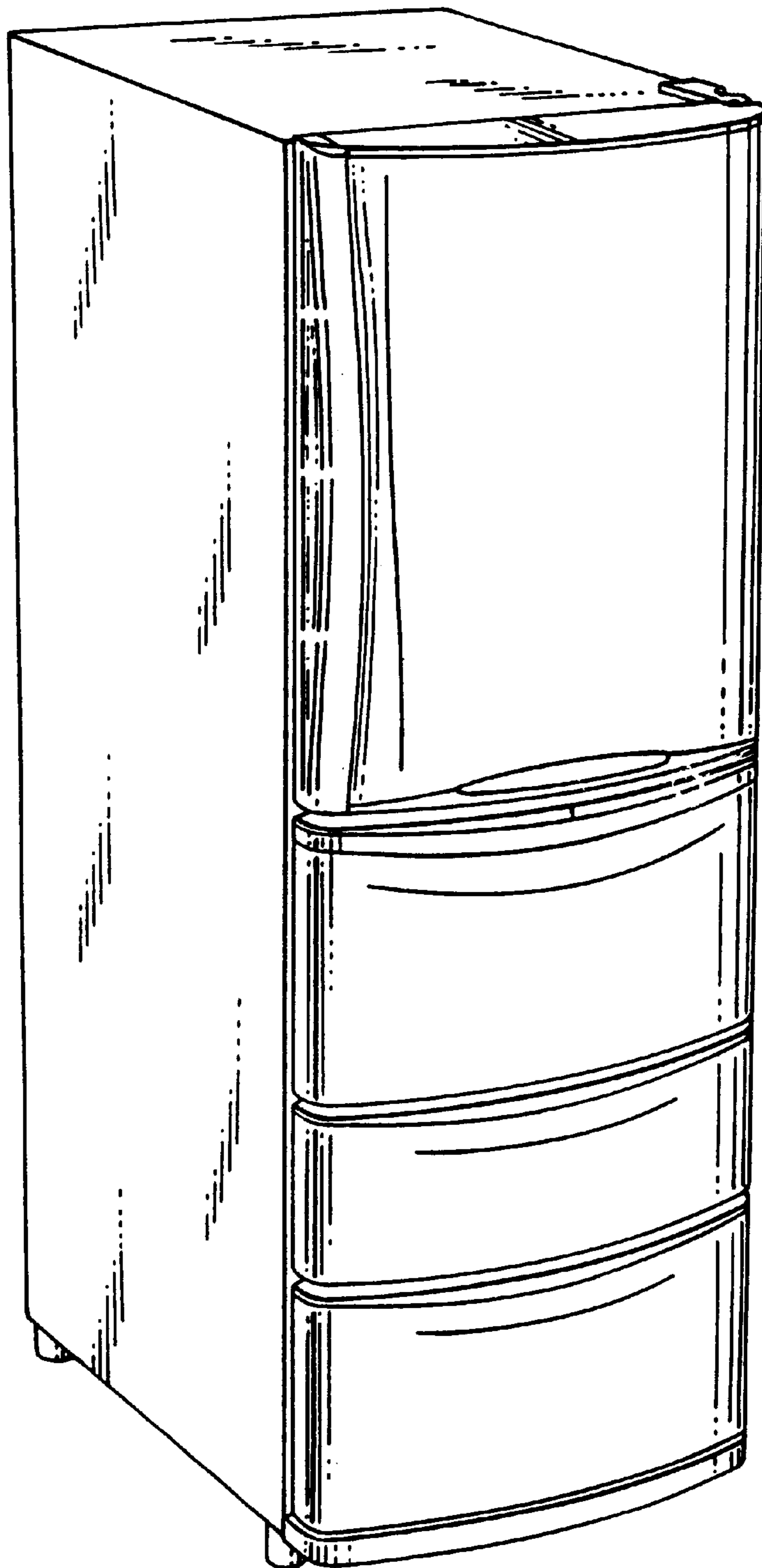


FIG. 2

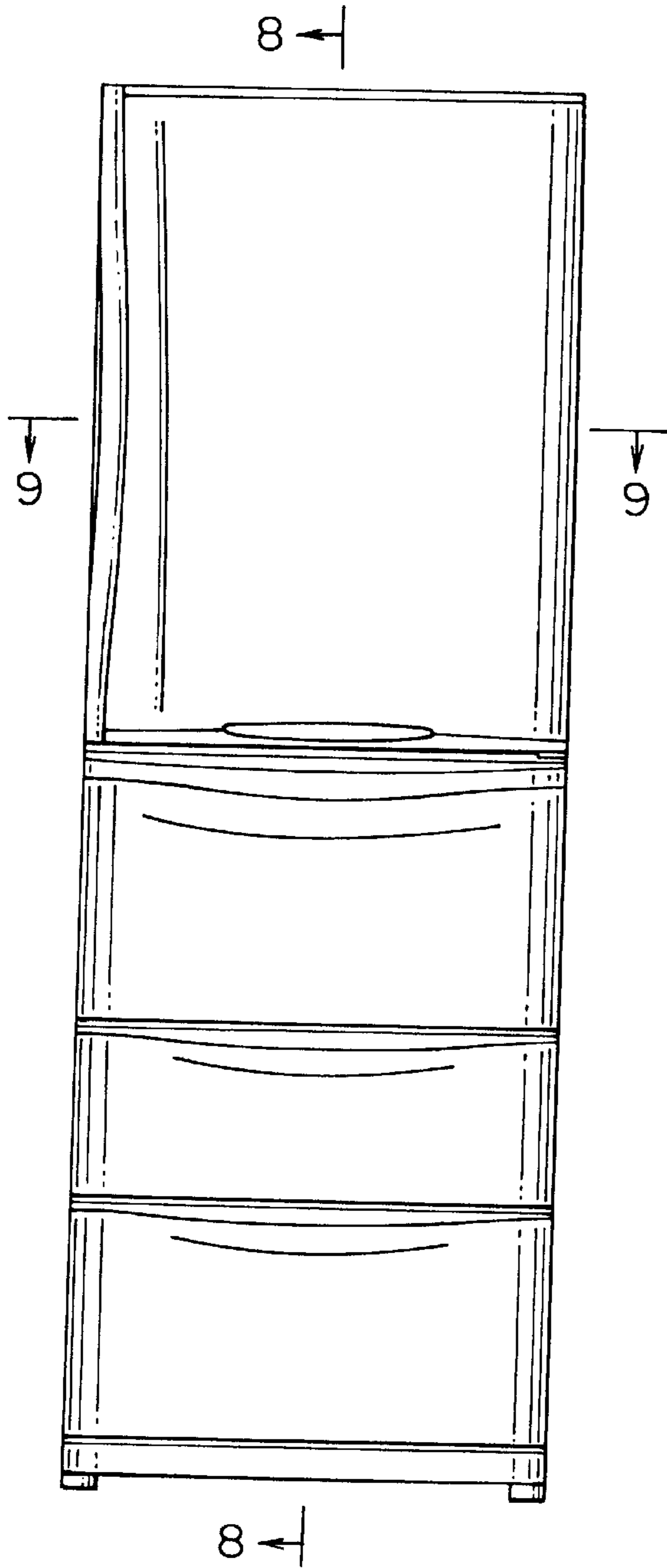


FIG. 3

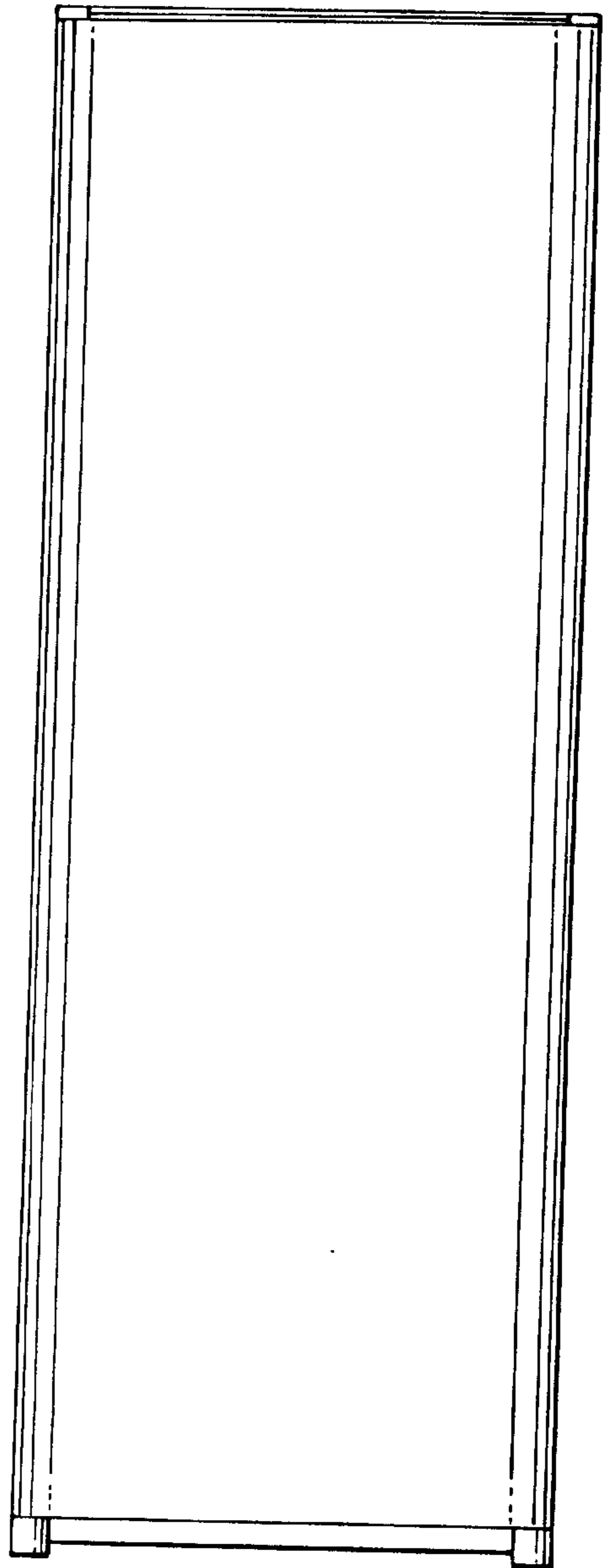


FIG. 4

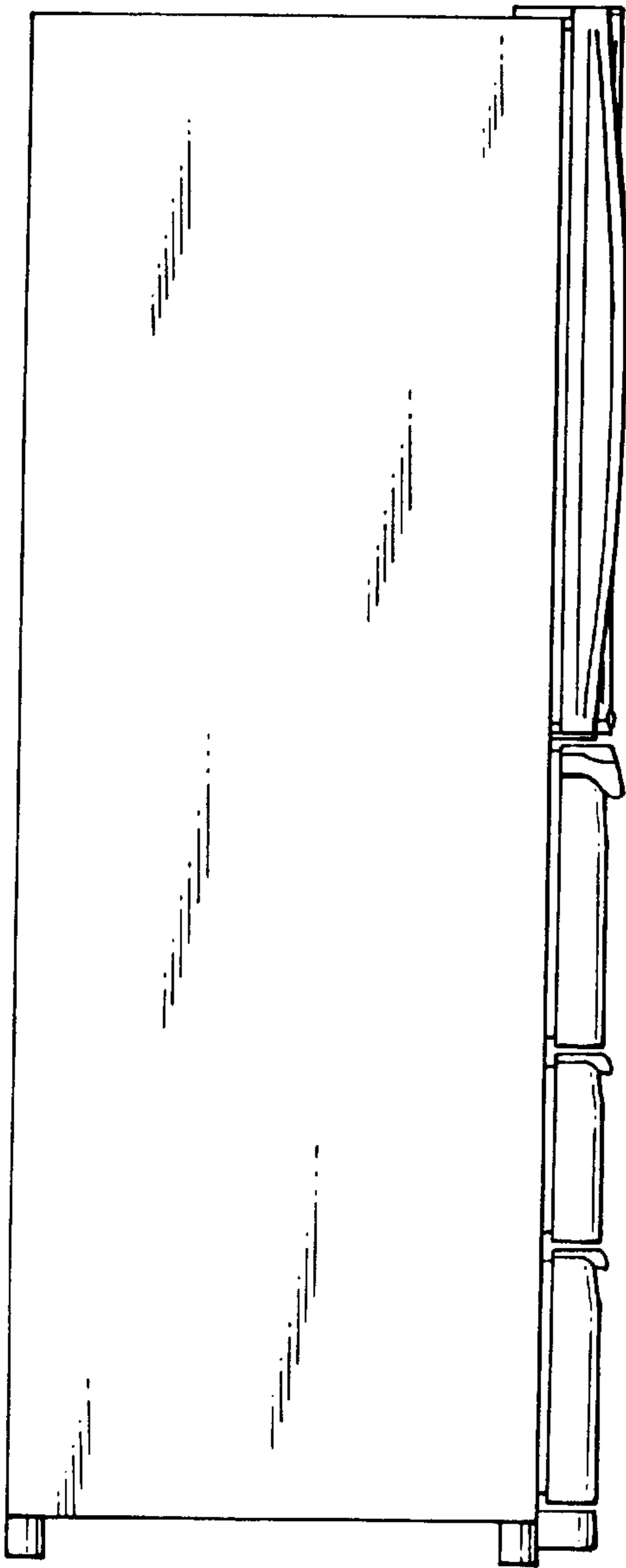


FIG. 5

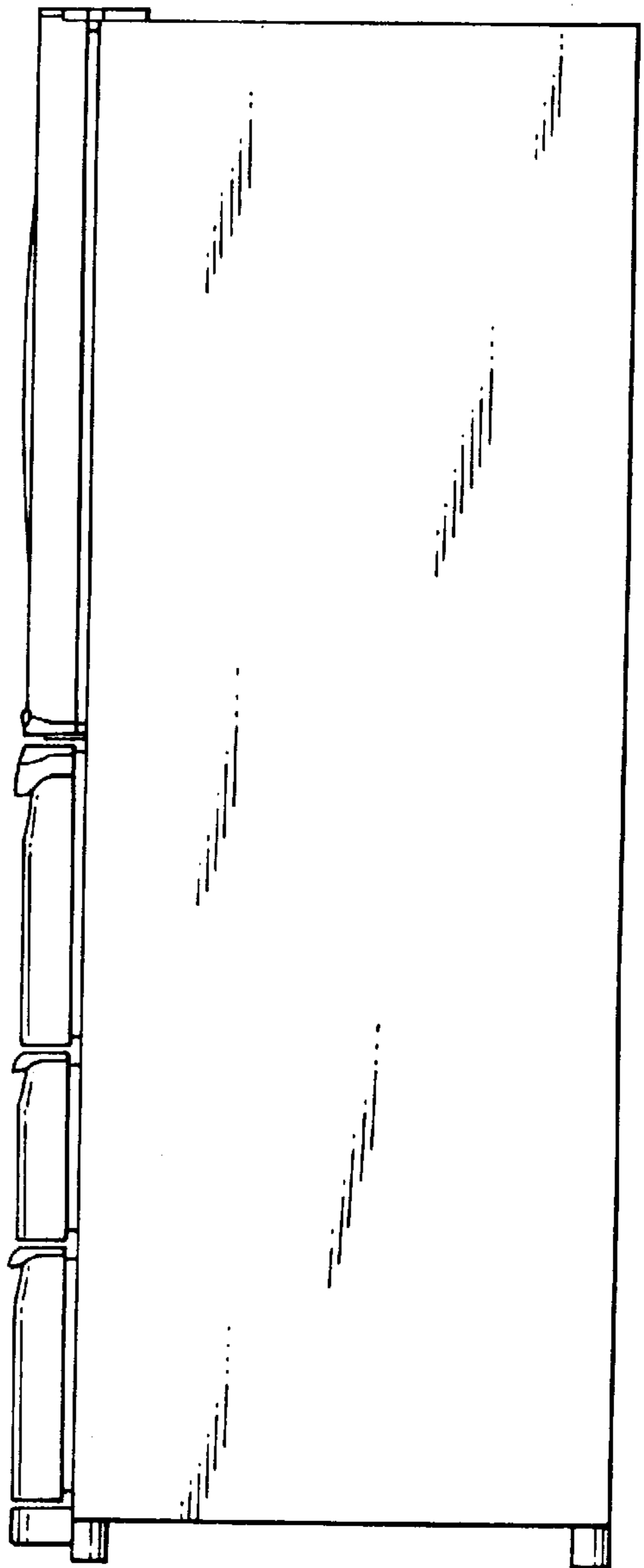


FIG. 6

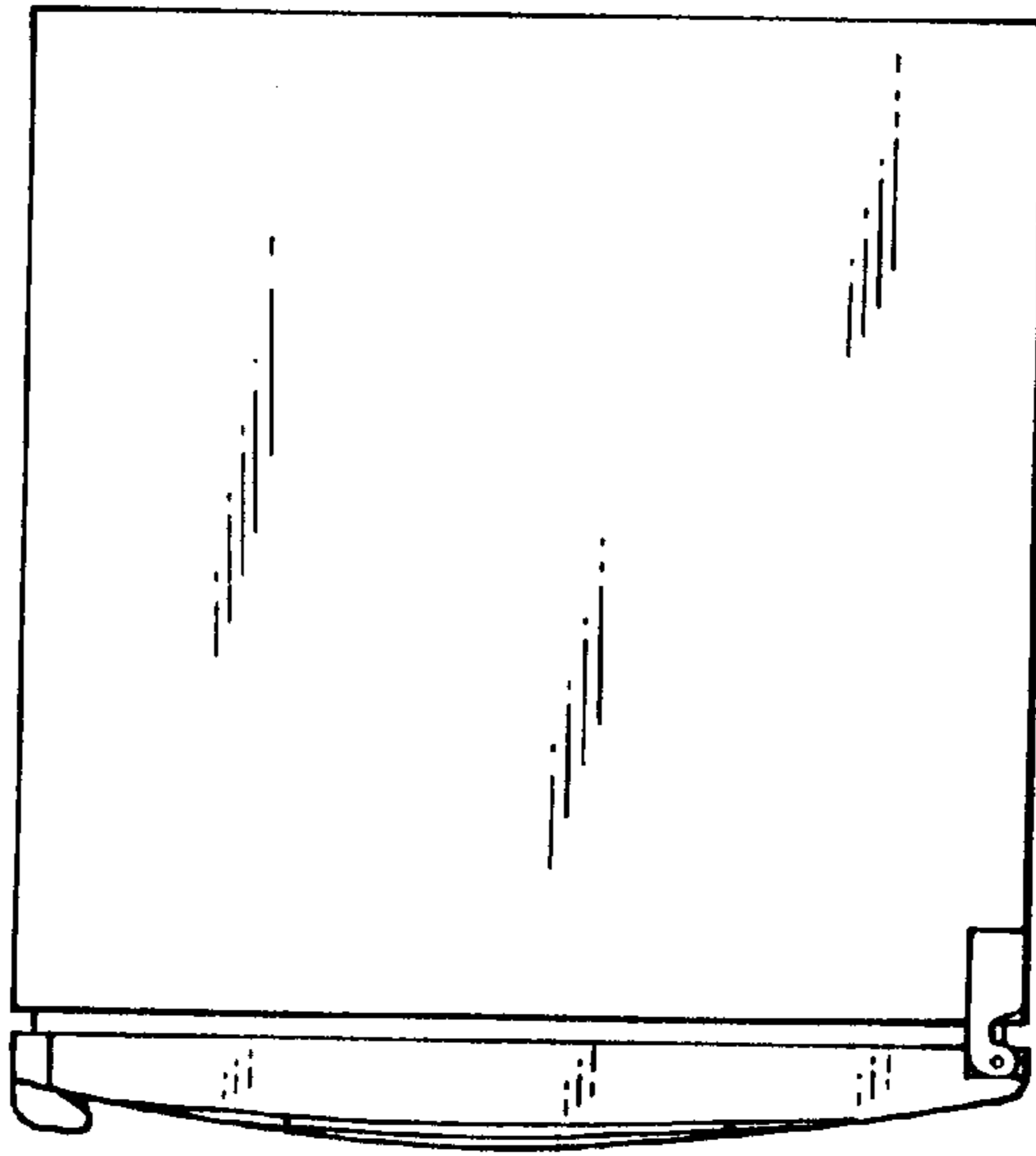


FIG. 7

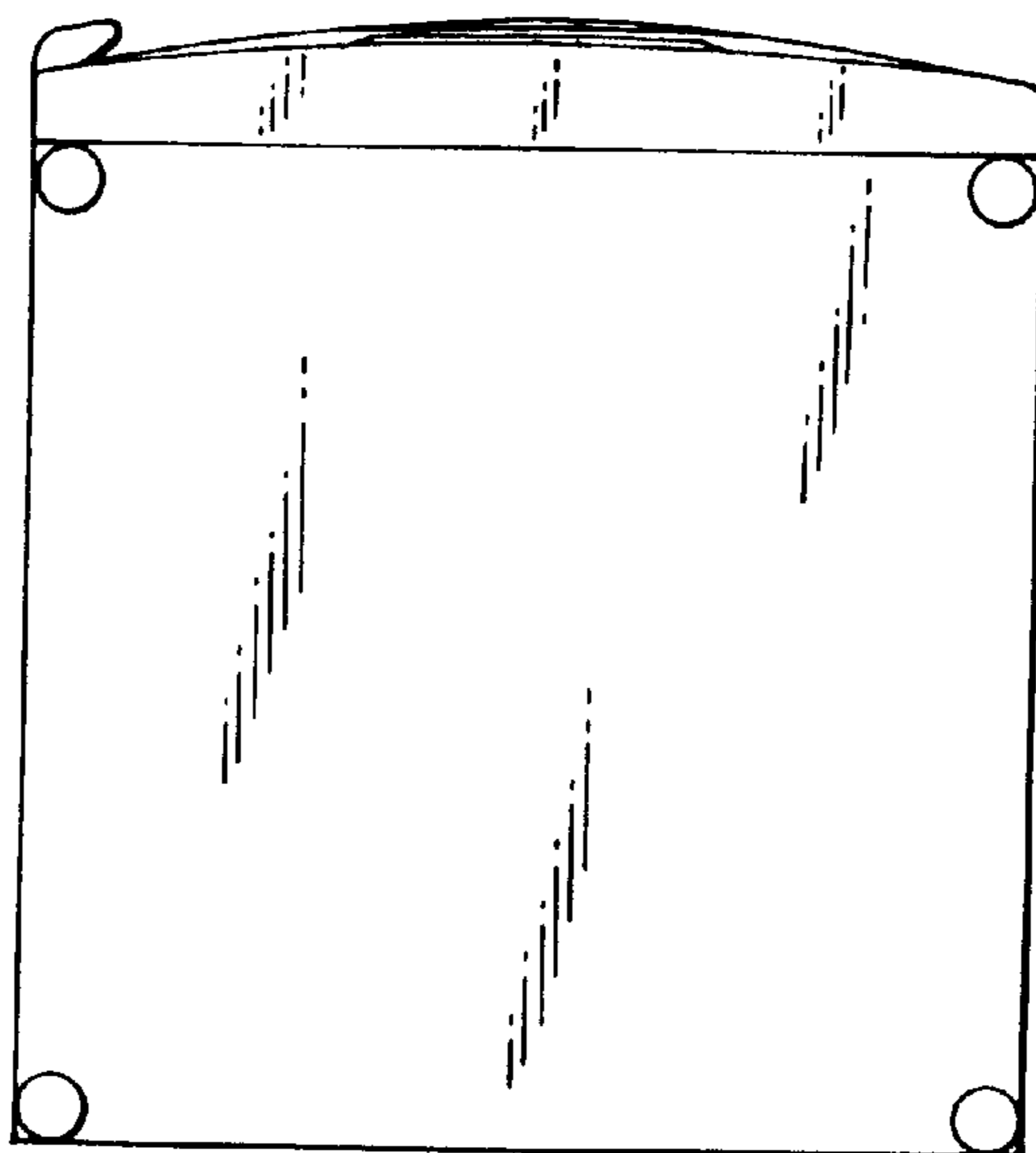


FIG. 8

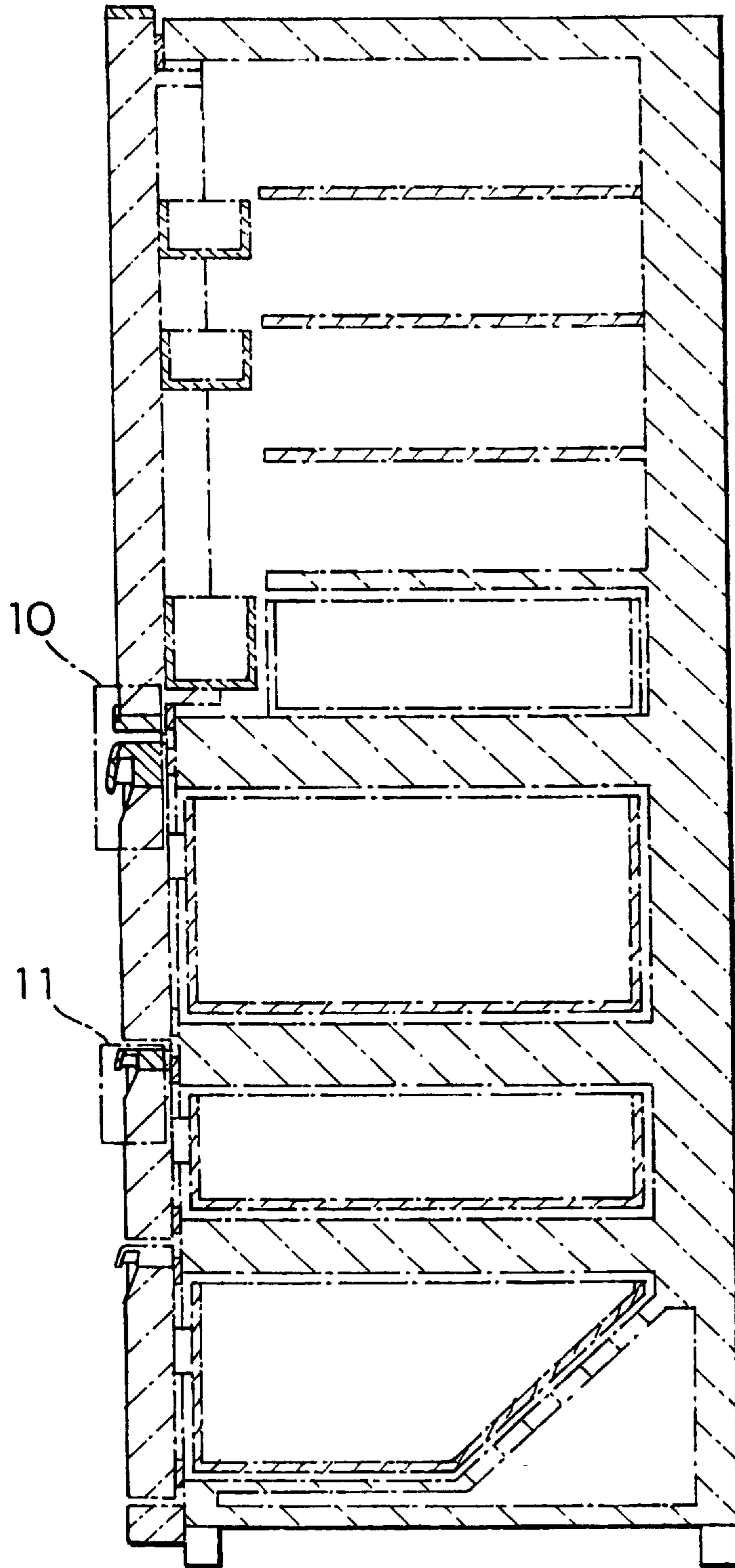


FIG. 9

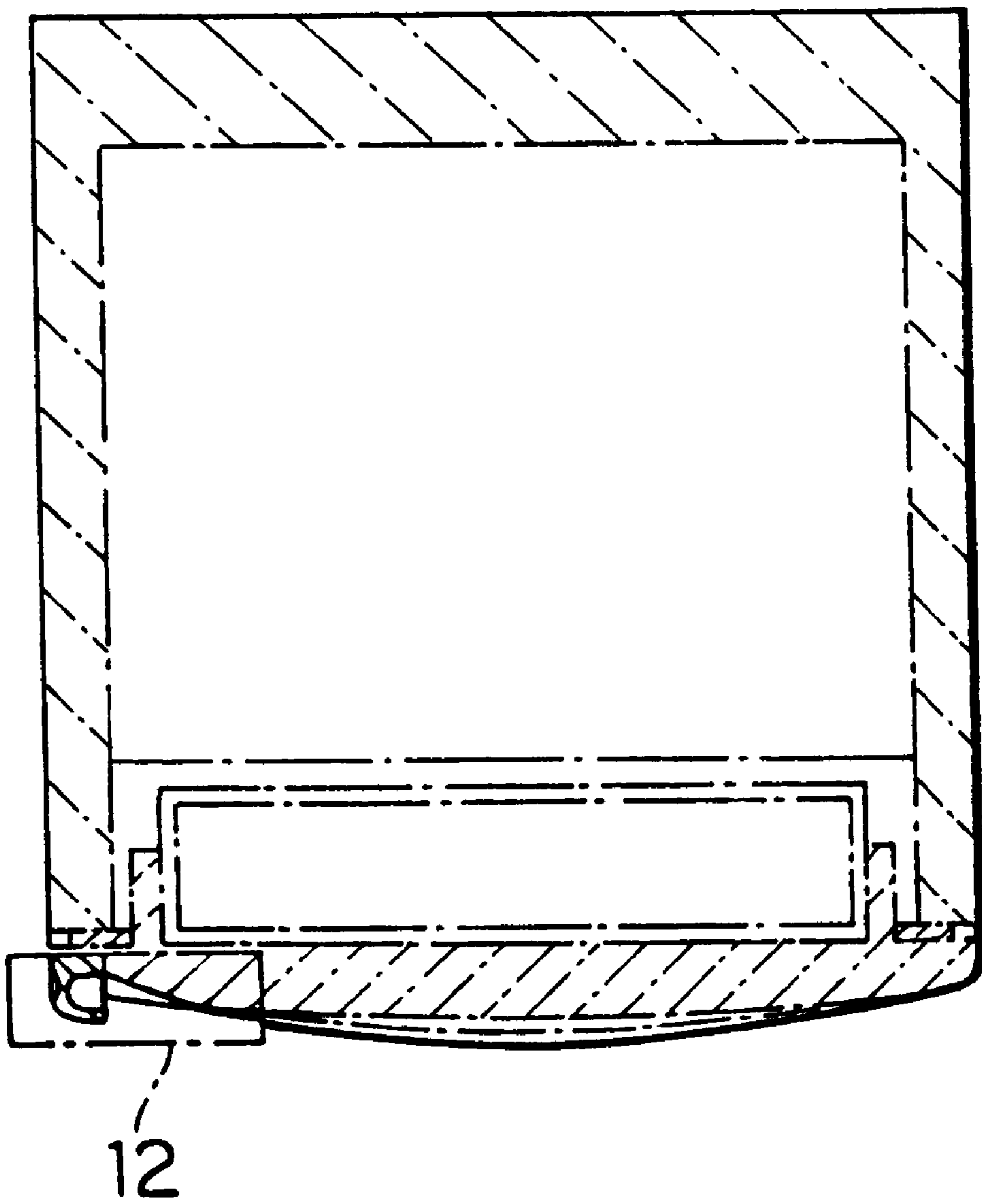


FIG. 10

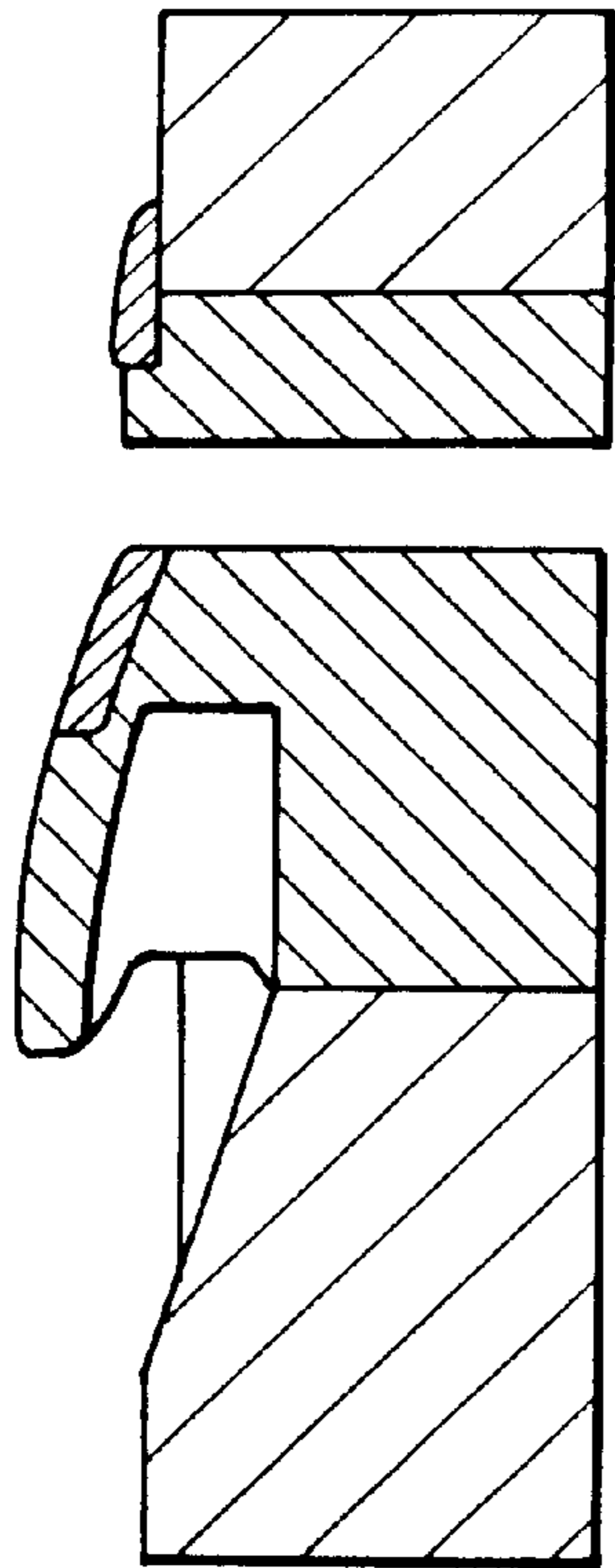


FIG. 11

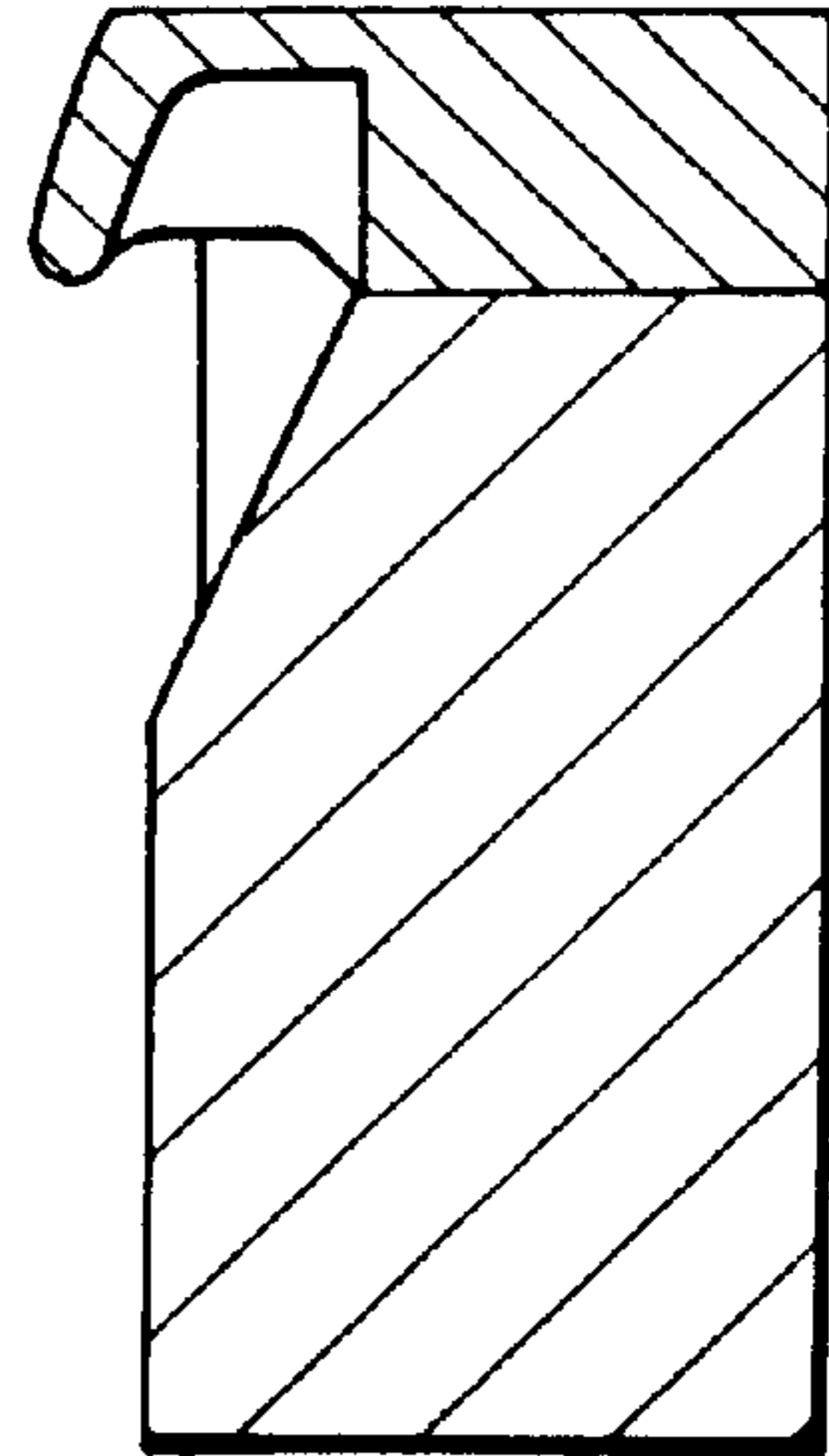


FIG. 12

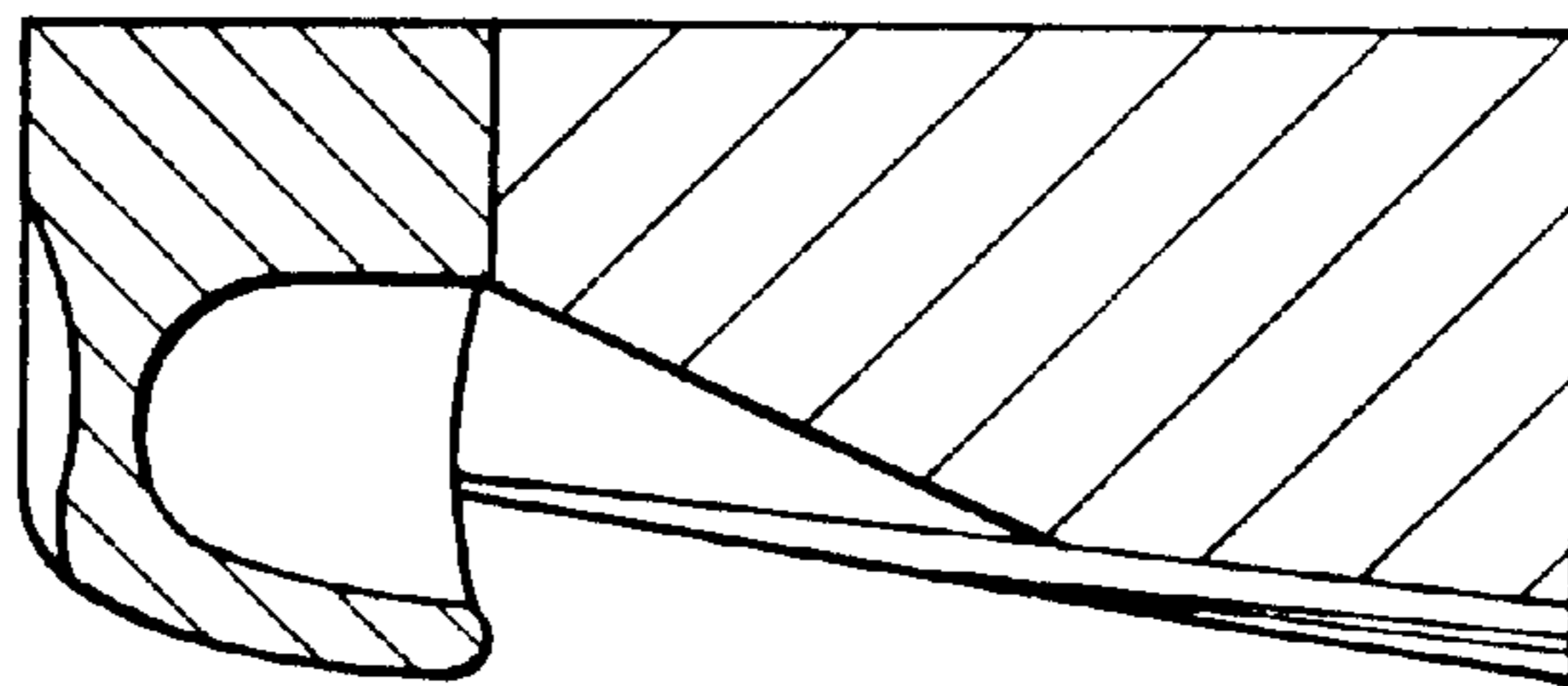
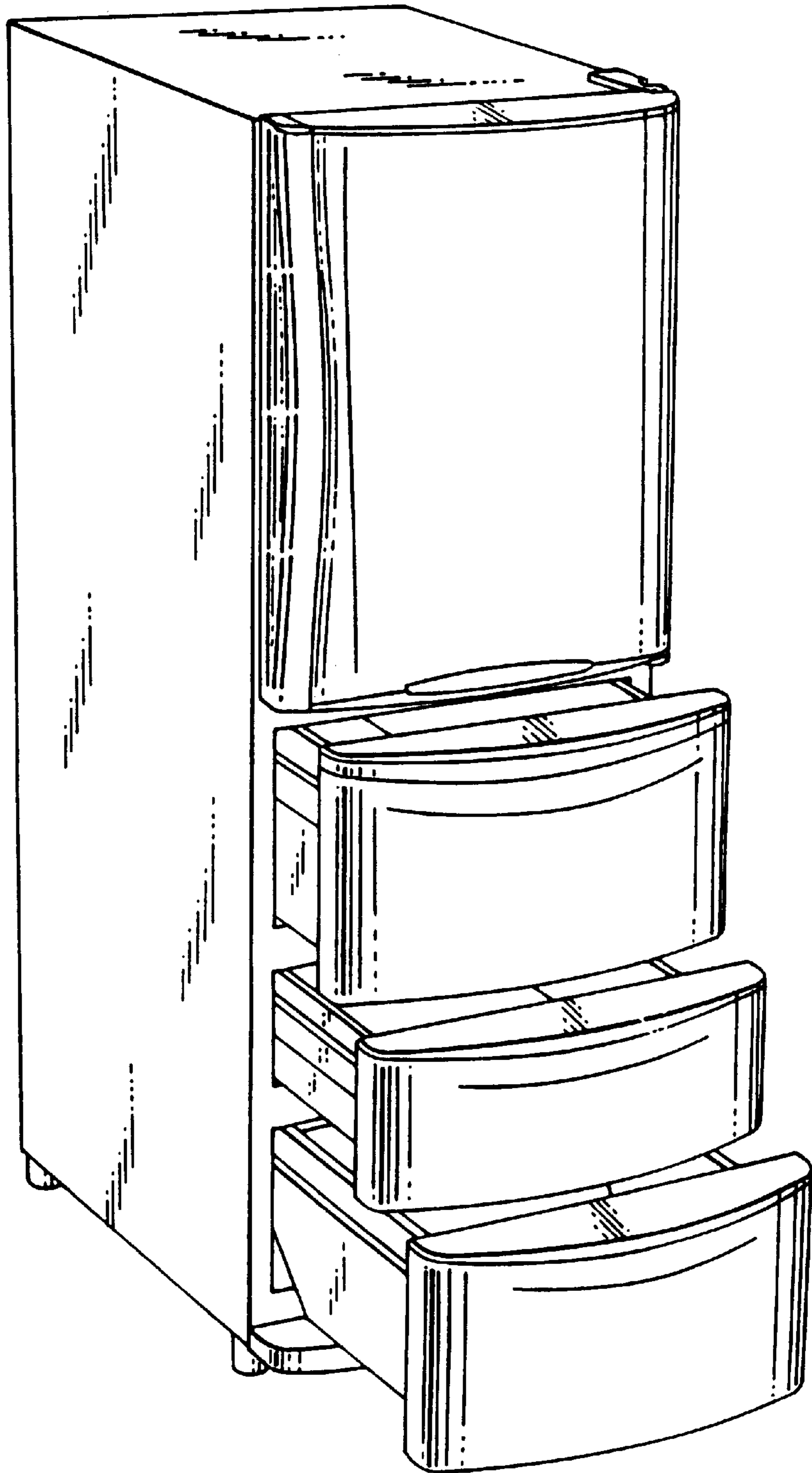


FIG. 13



UNITED STATES PATENT AND TRADEMARK OFFICE
CERTIFICATE OF CORRECTION

PATENT NO. : Des. 410,473
DATED : June 1, 1999
INVENTOR(S) : Naoto Higuchi et al.

Page 1 of 4

It is certified that error appears in the above-identified patent and that said Letters Patent is hereby corrected as shown below:

Delete the title page and substitute therefore the attached title page.

Delete Drawing Sheets 1 and 8 and substitute therefore the attached Drawing Sheets 1 and 8.

Signed and Sealed this

Nineteenth Day of July, 2005

A handwritten signature in black ink on a light gray dotted background. The signature reads "Jon W. Dudas" in a cursive style.

JON W. DUDAS

Director of the United States Patent and Trademark Office

United States Patent [19]
Higuchi et al.

[11] **Patent Number: Des. 410,473**
 [45] **Date of Patent: ** Jun. 1, 1999**

[54] **REFRIGERATOR**

[75] **Inventors: Naoto Higuchi; Aya Sawai; Hideyuki Takasago, all of Kanagawa, Japan**

[73] **Assignee: Mitsubishi Denki Kabushiki Kaisha, Tokyo, Japan**

[**] **Term: 14 Years**

[21] **Appl. No.: 29/082,937**

[22] **Filed: Jan. 30, 1998**

[30] **Foreign Application Priority Data**

Aug. 20, 1997 [JP] Japan 9-65072

[51] **LOC (6) Cl. 15-07**

[52] **U.S. Cl. D15/86**

[58] **Field of Search D15/79, 81, 85-88; 62/125-127; 312/139.2, 236**

[56] **References Cited**

U.S. PATENT DOCUMENTS

D. 210,560 3/1968 Kennedy et al. D15/86
 D. 236,654 9/1975 Meyer D15/86
 D. 338,899 8/1993 Labree D15/86
 D. 341,144 11/1993 Rice D15/86

FOREIGN PATENT DOCUMENTS

688181 9/1986 Japan .
 688182 9/1986 Japan .
 688628 10/1986 Japan .
 688629 10/1986 Japan .
 688630 10/1986 Japan .
 699160 2/1987 Japan .
 699160-1 2/1987 Japan .
 699161 2/1987 Japan .
 699293 2/1987 Japan .
 699294 2/1987 Japan .
 699295 2/1987 Japan .
 699487 2/1987 Japan .
 699488 2/1987 Japan .
 699489 2/1987 Japan .

699491 2/1987 Japan .
 699491-1 2/1987 Japan .
 699492 2/1987 Japan .
 699493 2/1987 Japan .

(List continued on next page.)

OTHER PUBLICATIONS

Domus No. 683 May 1987. No page Number. Iberna refrigerator.

Catalogue of Refrigerators, Jul. 19, 1994, 18 pages.

Primary Examiner—Sandra L. Morris

Attorney, Agent, or Firm—Oblon, Spivak, McClelland, Maier & Neustadt, P.C.

[57] **CLAIM**

The ornamental design for a refrigerator, as shown and described.

DESCRIPTION

FIG. 1 is a front, top and left side perspective view of a refrigerator, showing our new design;

FIG. 2 is a front elevational view thereof;

FIG. 3 is a rear elevational view thereof;

FIG. 4 is a left side elevational view thereof;

FIG. 5 is a right side elevational view thereof;

FIG. 6 is a top plan view thereof;

FIG. 7 is a bottom plan view thereof;

FIG. 8 is an expanded cross-sectional view thereof, taken along line 8—8 in FIG. 2, with the internal system omitted;

FIG. 9 is an expanded cross-sectional view thereof, taken along line 9—9 in FIG. 2, with the internal system omitted;

FIG. 10 is an expanded view of portion 10 in FIG. 8;

FIG. 11 is an expanded view of portion 11 in FIG. 8;

FIG. 12 is an expanded view of portion 12 in FIG. 9; and,

FIG. 13 is a front, top and left side perspective view thereof, with drawers pulled out.

The interior structure shown in FIGS. 8 and 9 in phantom lines is for illustrative purposes only and forms no part of the claimed design.

1 Claim, 8 Drawing Sheets

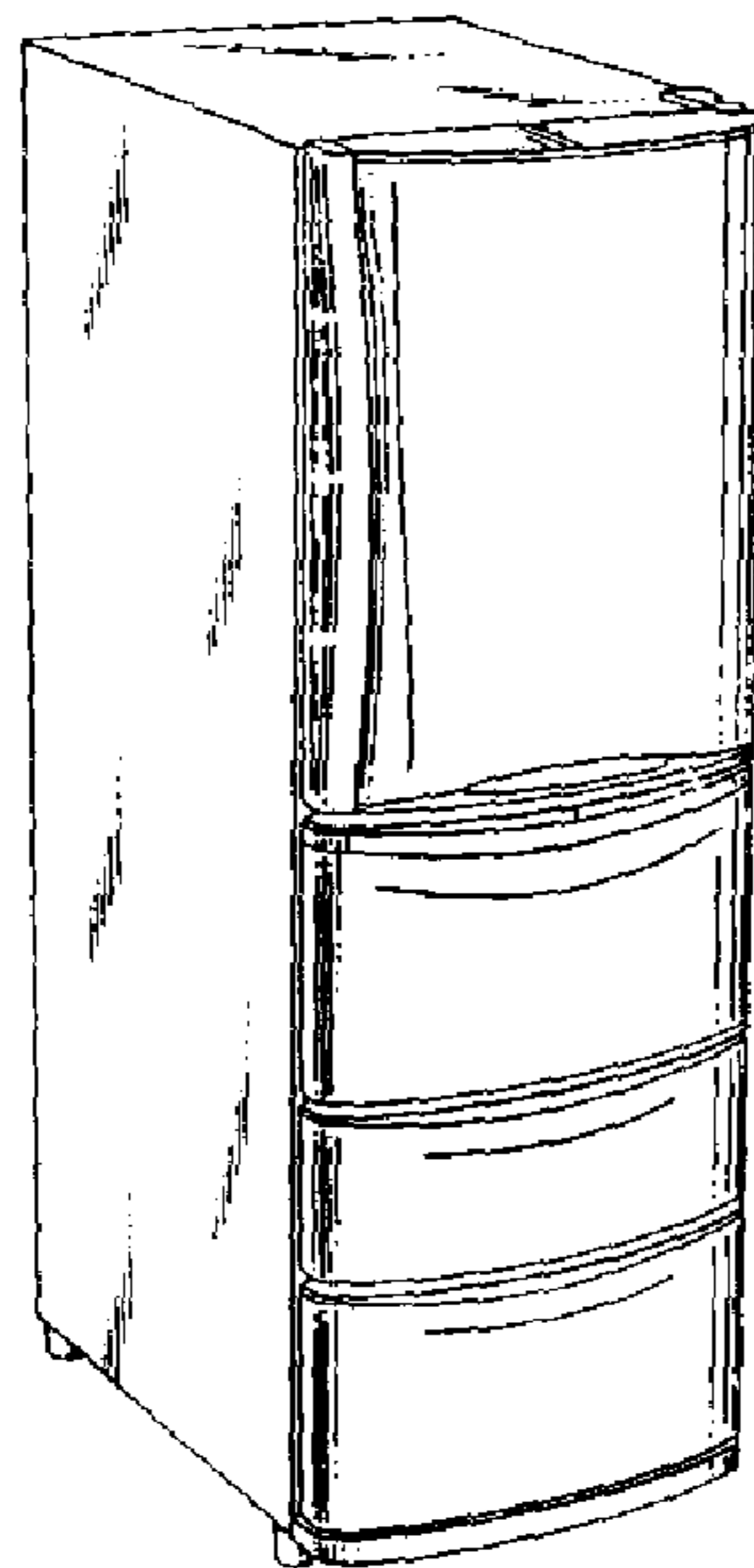


FIG. 1

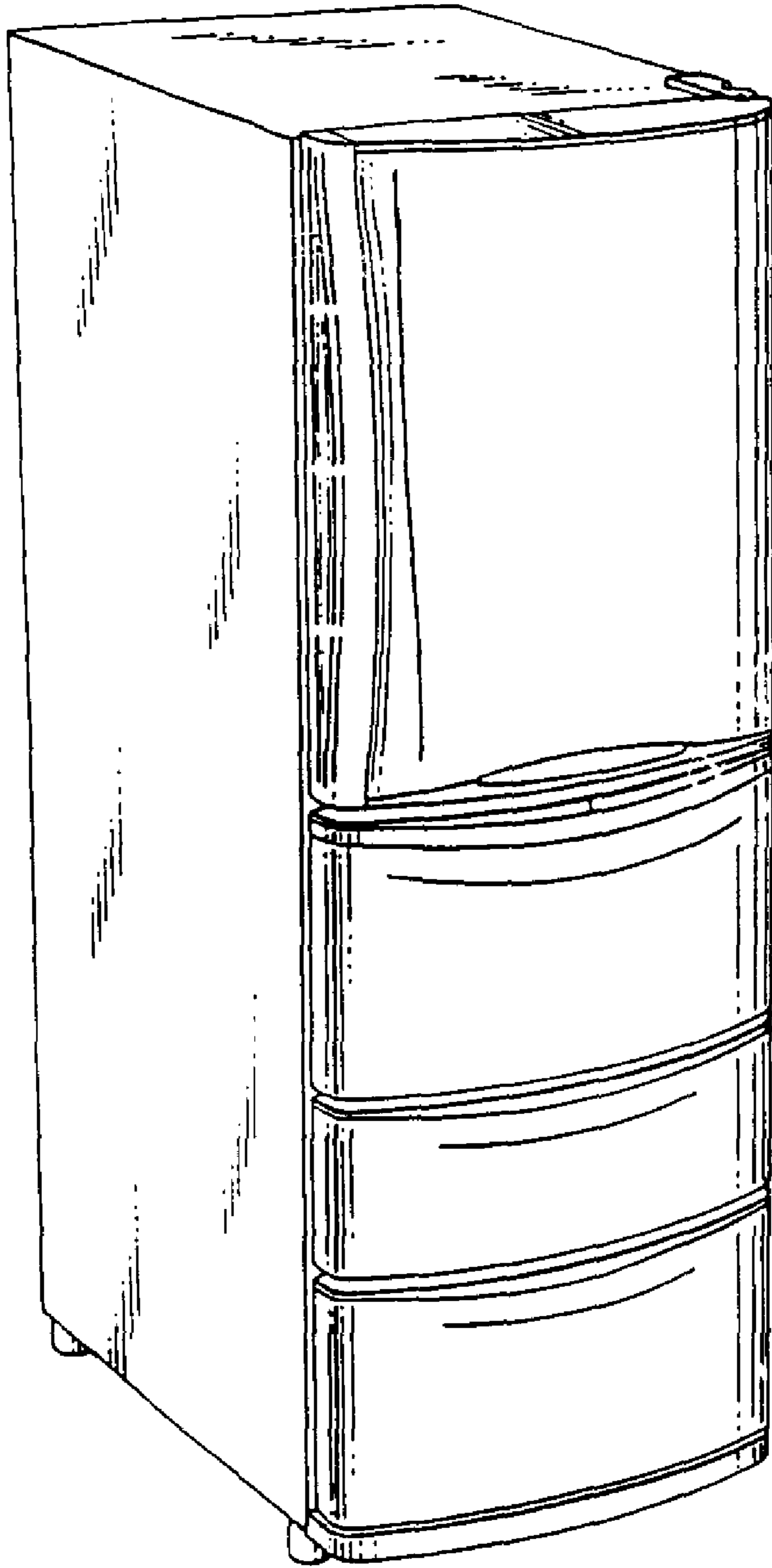


FIG. 13

