



US00D410470S

United States Patent [19]

[11] Patent Number: **Des. 410,470**

Filipek et al.

[45] Date of Patent: **** Jun. 1, 1999**

[54] **MODULAR PUMP SYSTEM BOARD**

[76] Inventors: **Gregory C. Filipek**, 9282 Marchand Ave., Garden Grove, Calif. 92841; **Steven T. Jersey**, 28805 Aloma Ave., Laguna Niguel, Calif. 92677; **Brian Babson**, 30 Segura, Irvine, Calif. 92612

5,314,091 5/1994 Credle, Jr. .
5,480,288 1/1996 Hellenberg et al. .
5,492,455 2/1996 Durham et al. .
5,607,083 3/1997 Vogel et al. .
5,626,467 5/1997 Cantley .

Primary Examiner—Ralf Seifert

[**] Term: **14 Years**

[57] **CLAIM**

[21] Appl. No.: **29/086,898**

The ornamental design for modular pump system board, as shown and described.

[22] Filed: **Apr. 22, 1998**

DESCRIPTION

[51] **LOC (6) Cl.** **15-01**

FIG. 1 is a perspective view showing the top, front and right side of the modular pump system board.

[52] **U.S. Cl.** **D15/7**

FIG. 2 is an elevation view showing the front of the modular pump system board of the present invention.

[58] **Field of Search** D15/7-9.1; 137/804, 137/271, 343; 417/312, 313, 314, 379, 423.15; 73/168; 222/129.1

FIG. 3 is an elevation view showing the top of the modular pump system board of the present invention.

[56] **References Cited**

FIG. 4 is a plan view showing the right side of the modular pump system board of the present invention.

U.S. PATENT DOCUMENTS

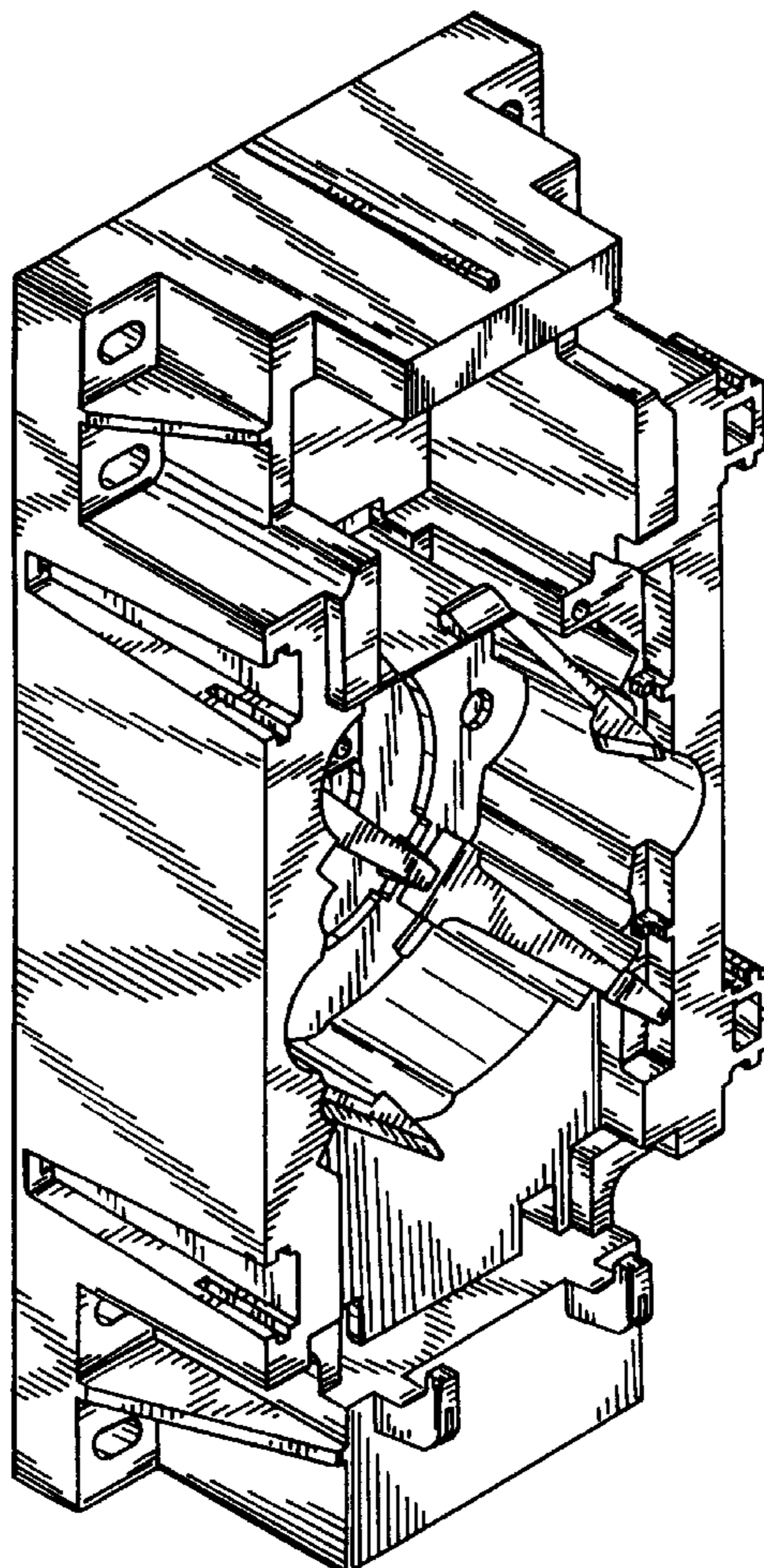
D. 253,704	12/1979	McGraw	D15/7
D. 380,479	7/1997	Cantley	D15/7
D. 388,439	12/1997	Cantley et al.	D15/7
3,879,068	4/1975	Stampfli	.	
4,247,133	1/1981	Moller	.	
4,483,365	11/1984	Fallon	.	
4,815,496	3/1989	Nishitani et al.	.	

FIG. 5 is an elevation view showing the left side of the modular pump system board of the present invention.

FIG. 6 is an elevation view showing the bottom of the modular pump system board of the present invention; and,

FIG. 7 is a plan view showing the back of the modular pump system board of the present invention.

1 Claim, 2 Drawing Sheets



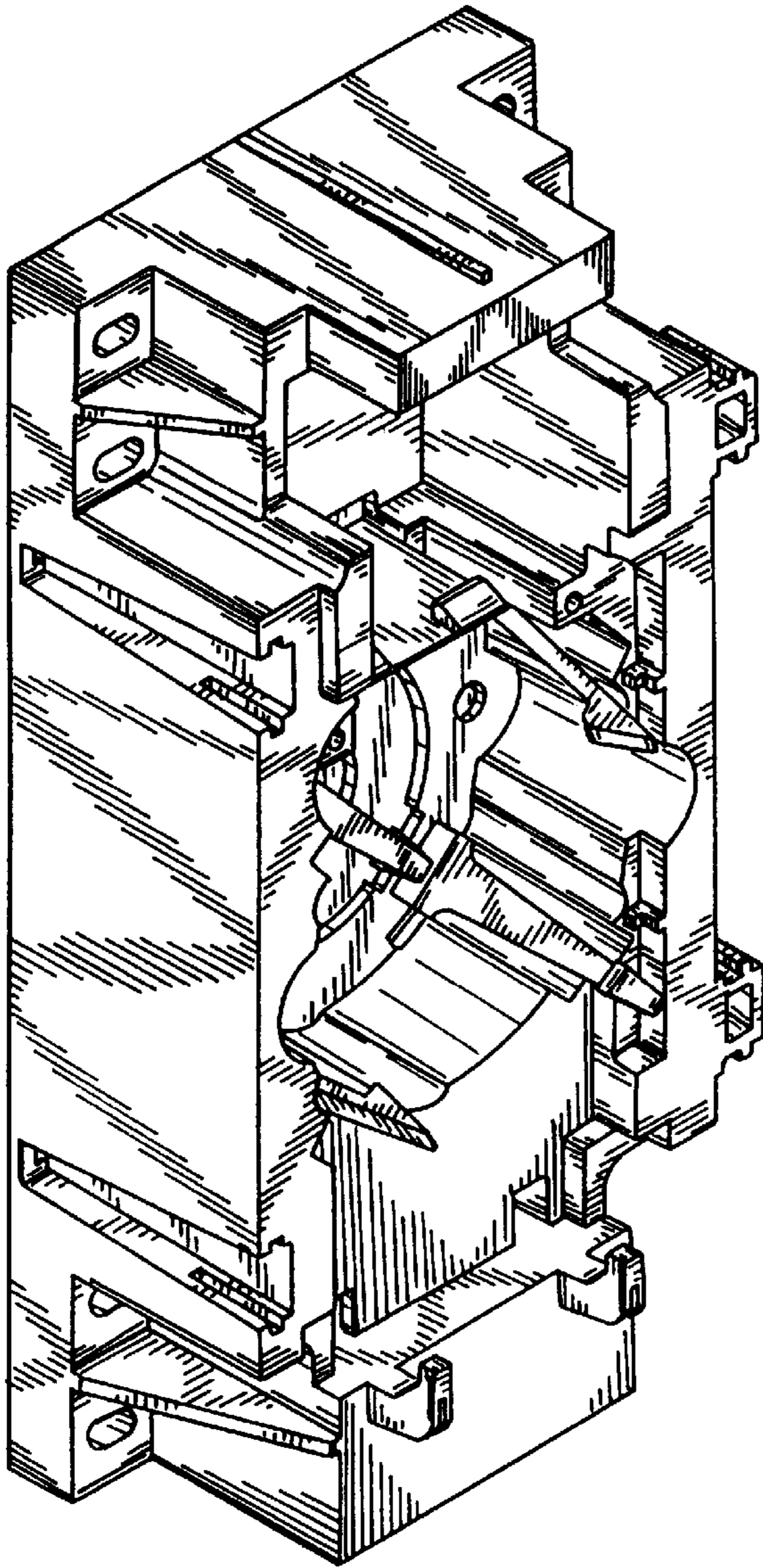


FIG. 1

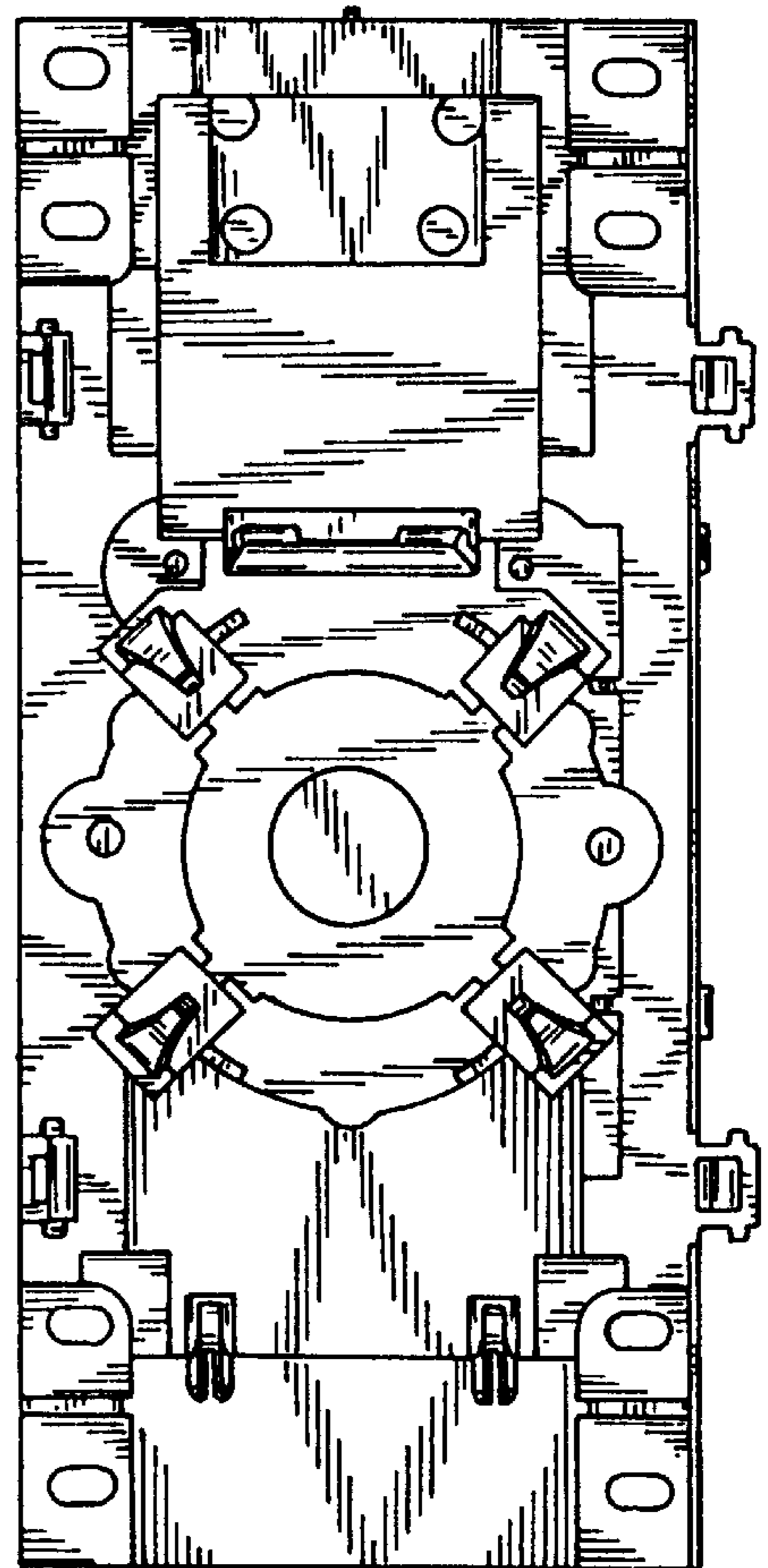


FIG. 2

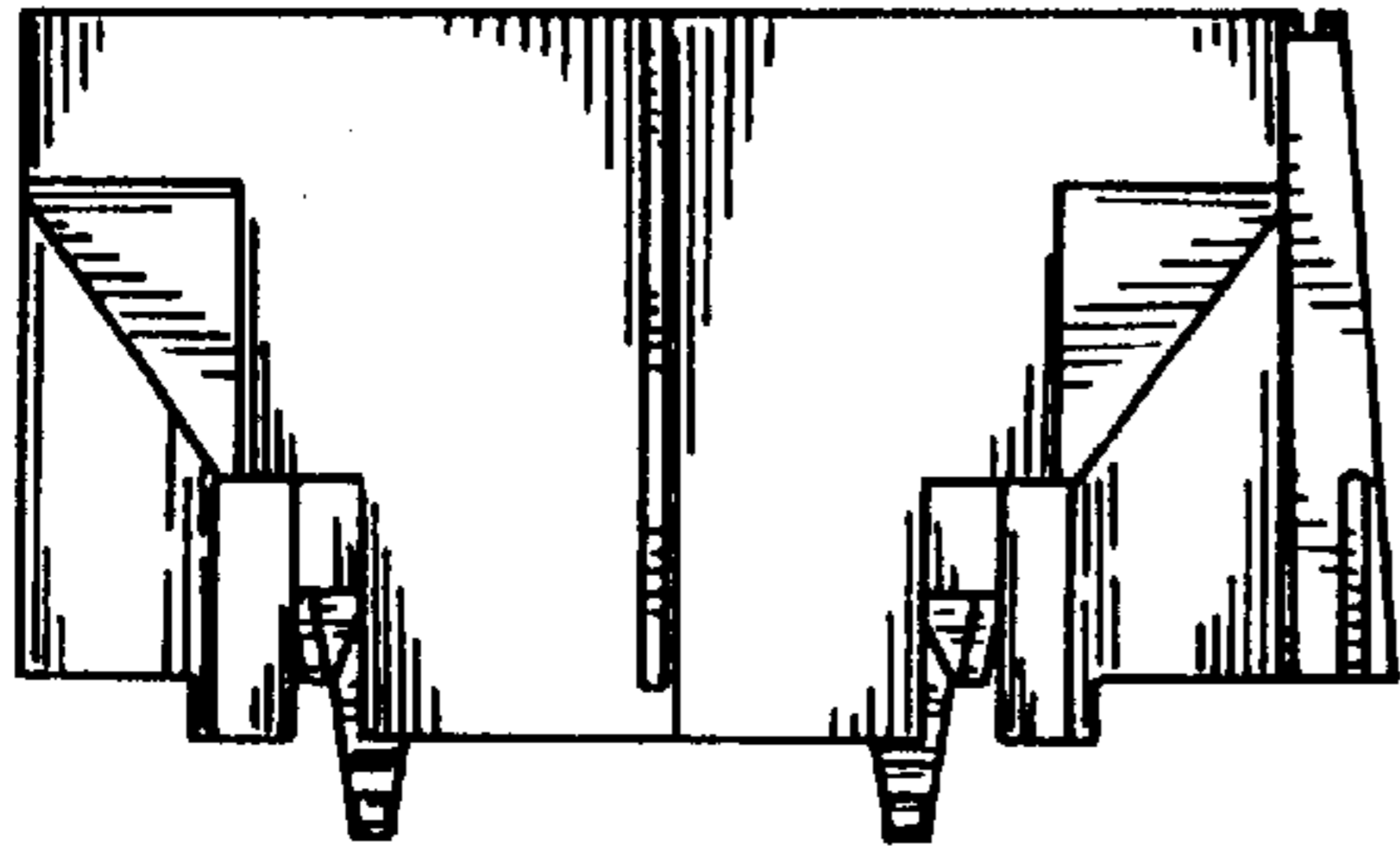


FIG. 3

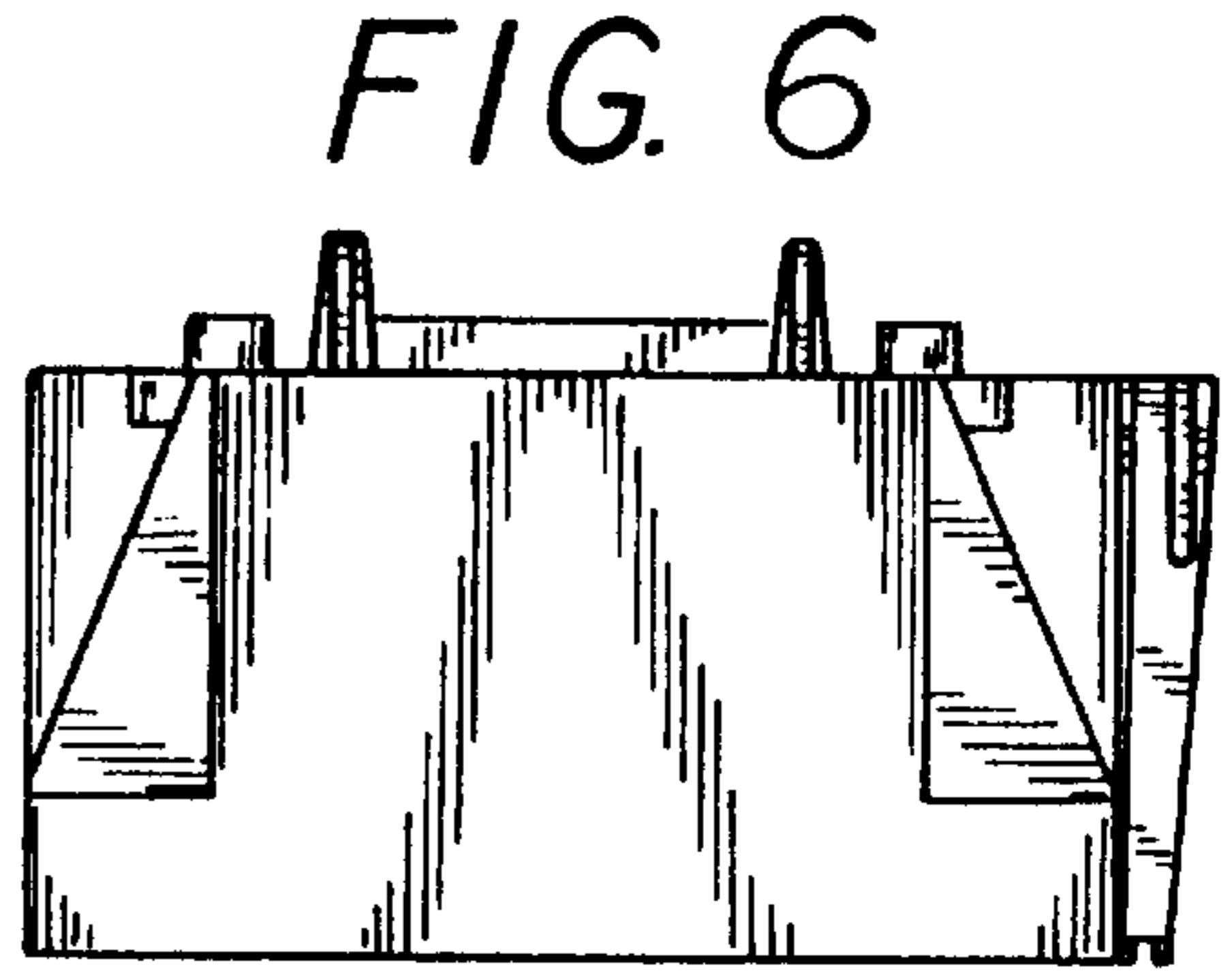


FIG. 6

FIG. 4

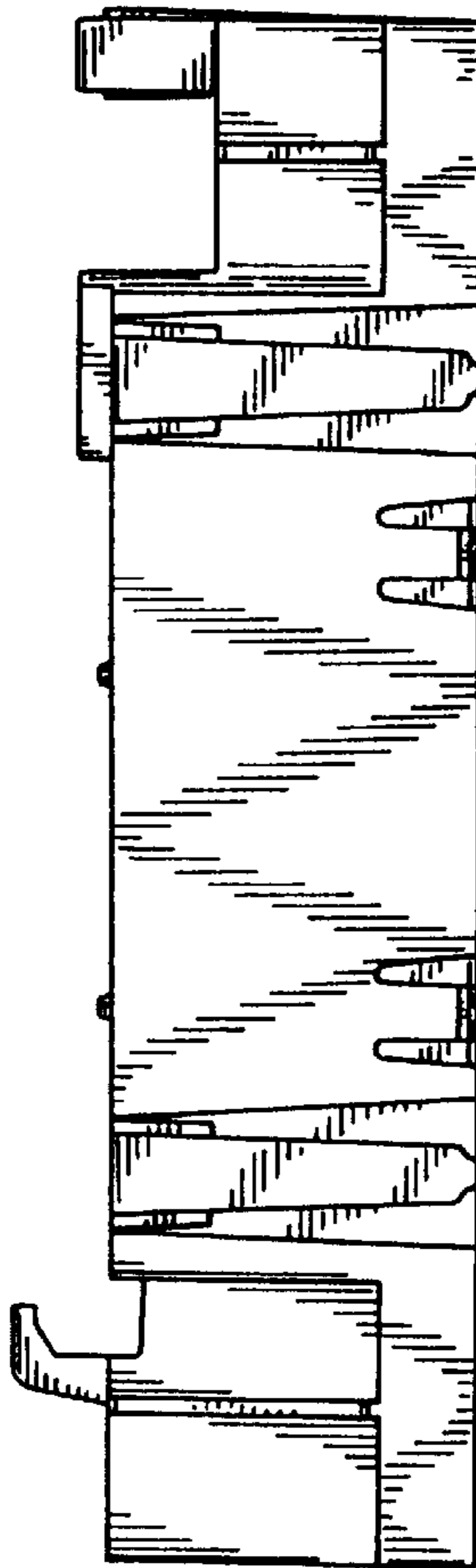
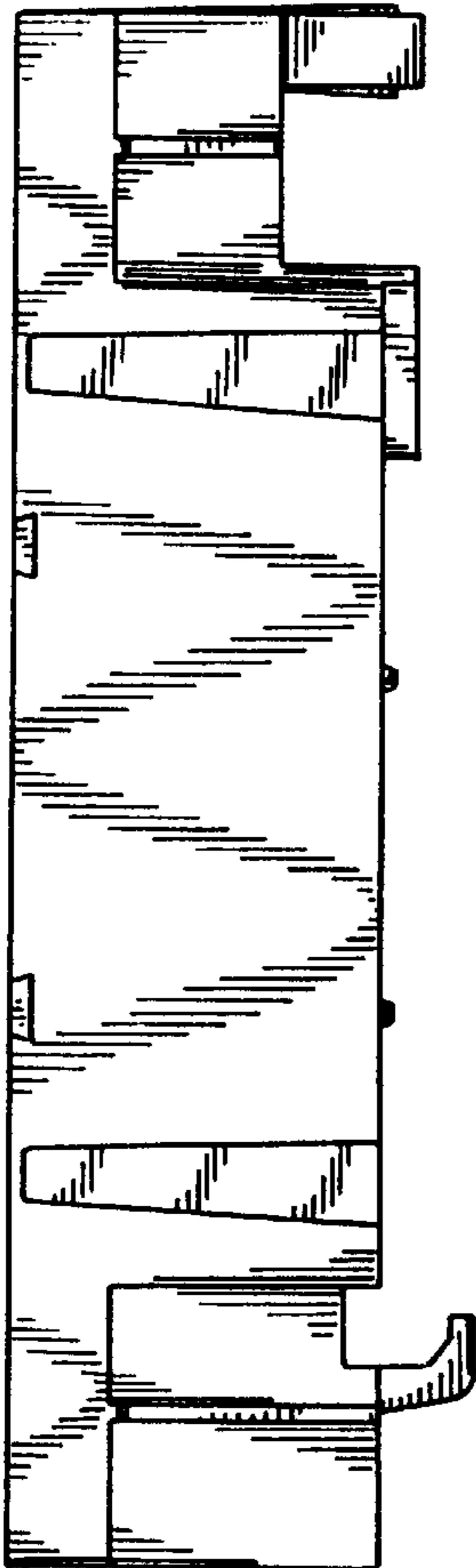


FIG. 5

FIG. 7

