



US00D410469S

United States Patent [19] Sathikh

[11] **Patent Number: Des. 410,469**
[45] **Date of Patent: ** Jun. 1, 1999**

[54] **MODEM**
[75] **Inventor: Peer M. Sathikh, Singapore, Singapore**
[73] **Assignee: InnoMedia Pte Ltd., Singapore, Singapore**
[**] **Term: 14 Years**
[21] **Appl. No.: 29/067,776**
[22] **Filed: Mar. 13, 1997**
[51] **LOC (6) Cl. 14-03**
[52] **U.S. Cl. D14/242; D14/107**
[58] **Field of Search D14/140, 142, D14/149, 150, 240, 242, 107, 114, 155, 159; 361/736, 724, 728, 730, 826, 828; 375/222, 223, 220; 379/399, 418, 419, 420, 428, 440, 93.01, 93.28; D13/164, 184; 455/90, 9**

D. 383,452 9/1997 Thompson et al. D14/107 X
D. 384,672 10/1997 Herberling D14/242
D. 393,463 4/1998 Beaumont et al. D14/149
5,457,600 10/1995 Campbell et al. 361/736 X

Primary Examiner—Jeffrey Asch
Attorney, Agent, or Firm—Graham & James LLP

[57] CLAIM

The ornamental design for a modem, as shown and described.

DESCRIPTION

FIG. 1 is a right front perspective view of a first embodiment of my new modem;
FIG. 2 is a front elevational view thereof;
FIG. 3 is a right side elevational view thereof;
FIG. 4 is a left side elevational view thereof;
FIG. 5 is a top plan view thereof; and
FIG. 6 is a bottom plan view thereof;
FIG. 7 is a front elevational view of a second embodiment of my new modem;
FIG. 8 is a right side elevational view thereof;
FIG. 9 is a left side elevational view thereof;
FIG. 10 is a top plan view thereof; and,
FIG. 11 is a bottom plan view thereof.

[56] References Cited

U.S. PATENT DOCUMENTS

D. 299,451 1/1989 Ikeda D14/107 X
D. 344,710 3/1994 Morgane et al. D14/114
D. 351,601 10/1994 Rak D14/242
D. 363,722 10/1995 Aldridge et al. D14/107 X
D. 372,715 8/1996 Lin D14/217

1 Claim, 3 Drawing Sheets

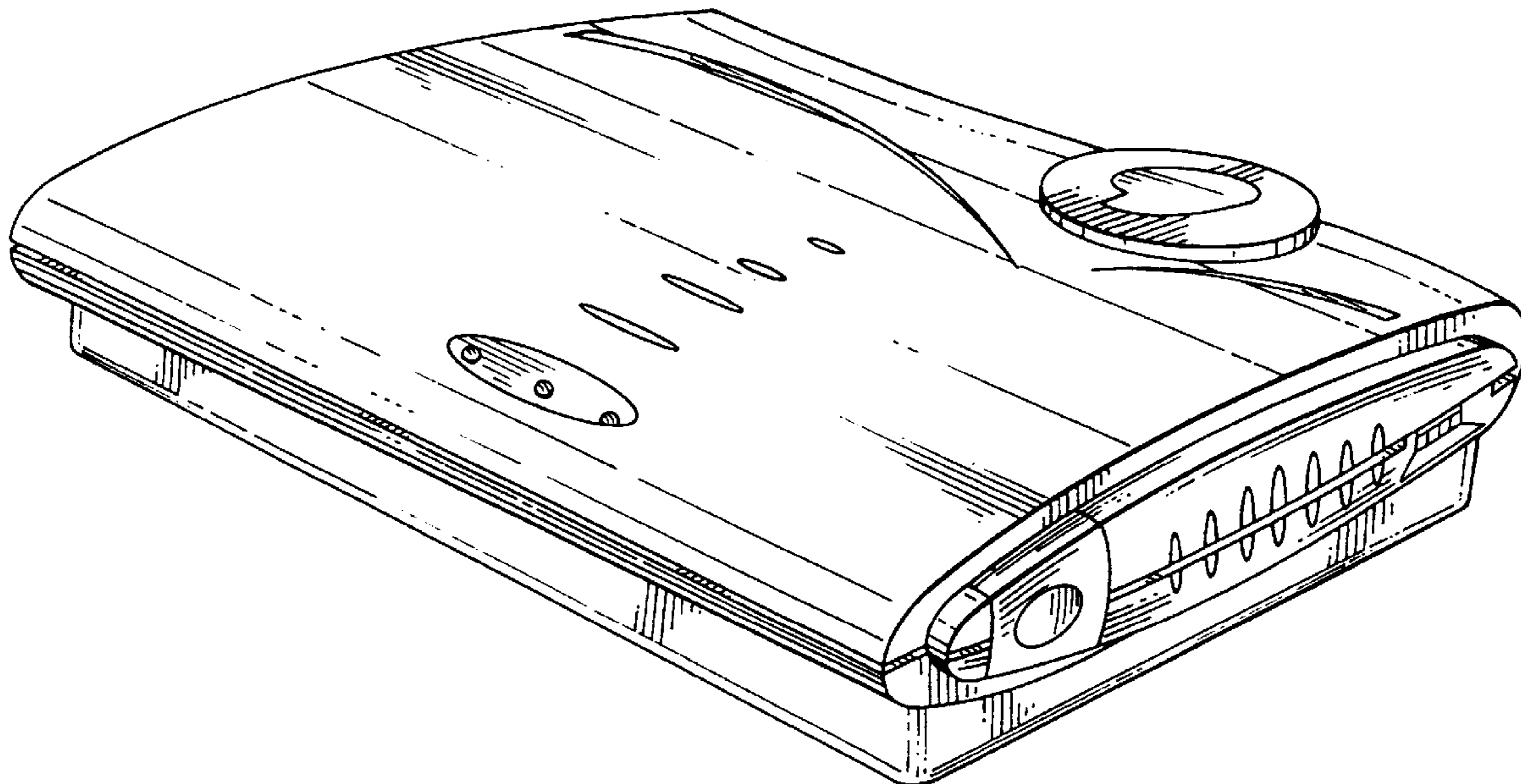


FIG. 1

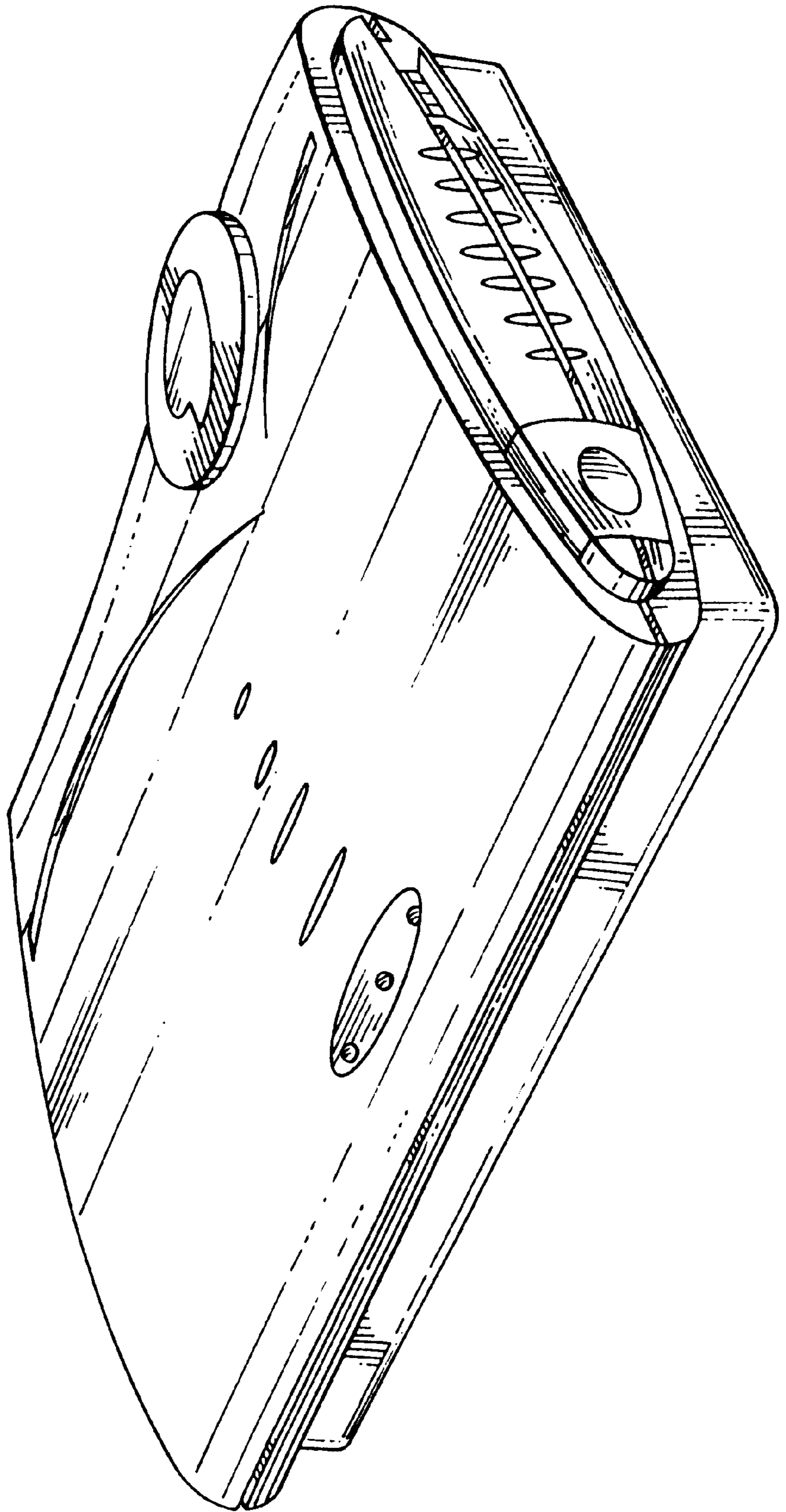


FIG. 5

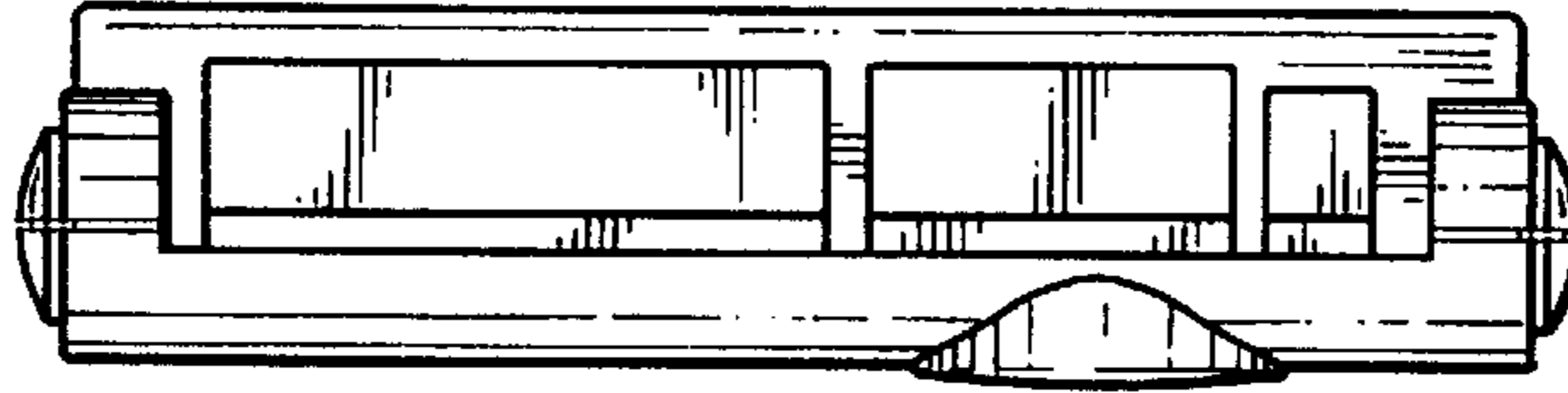


FIG. 4

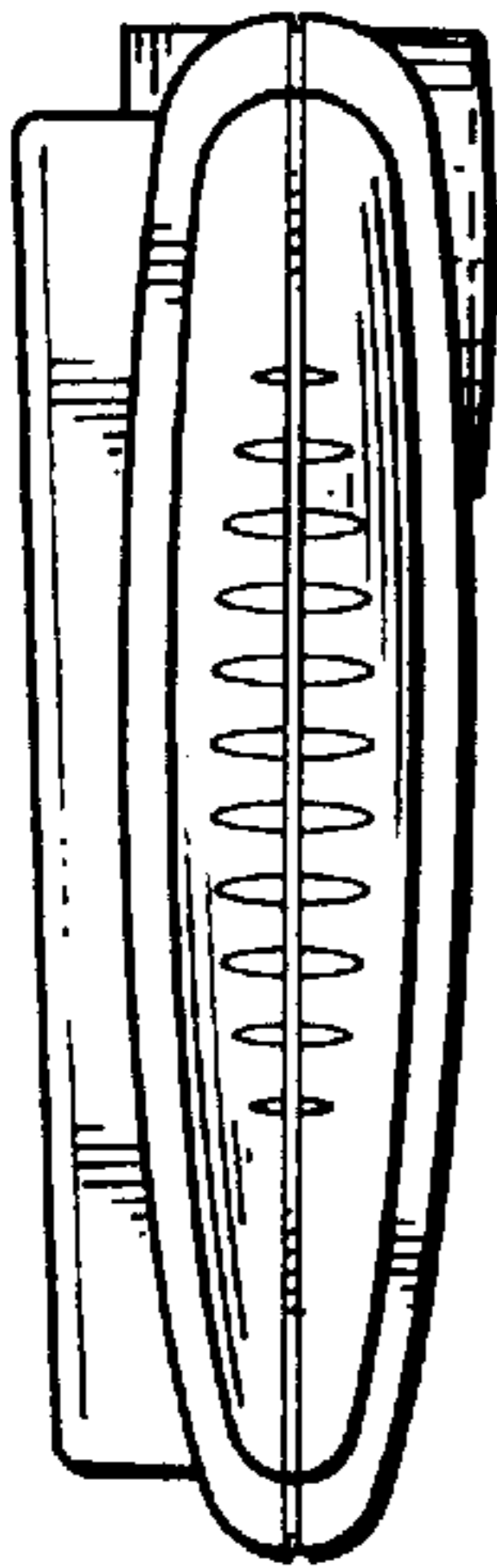


FIG. 2

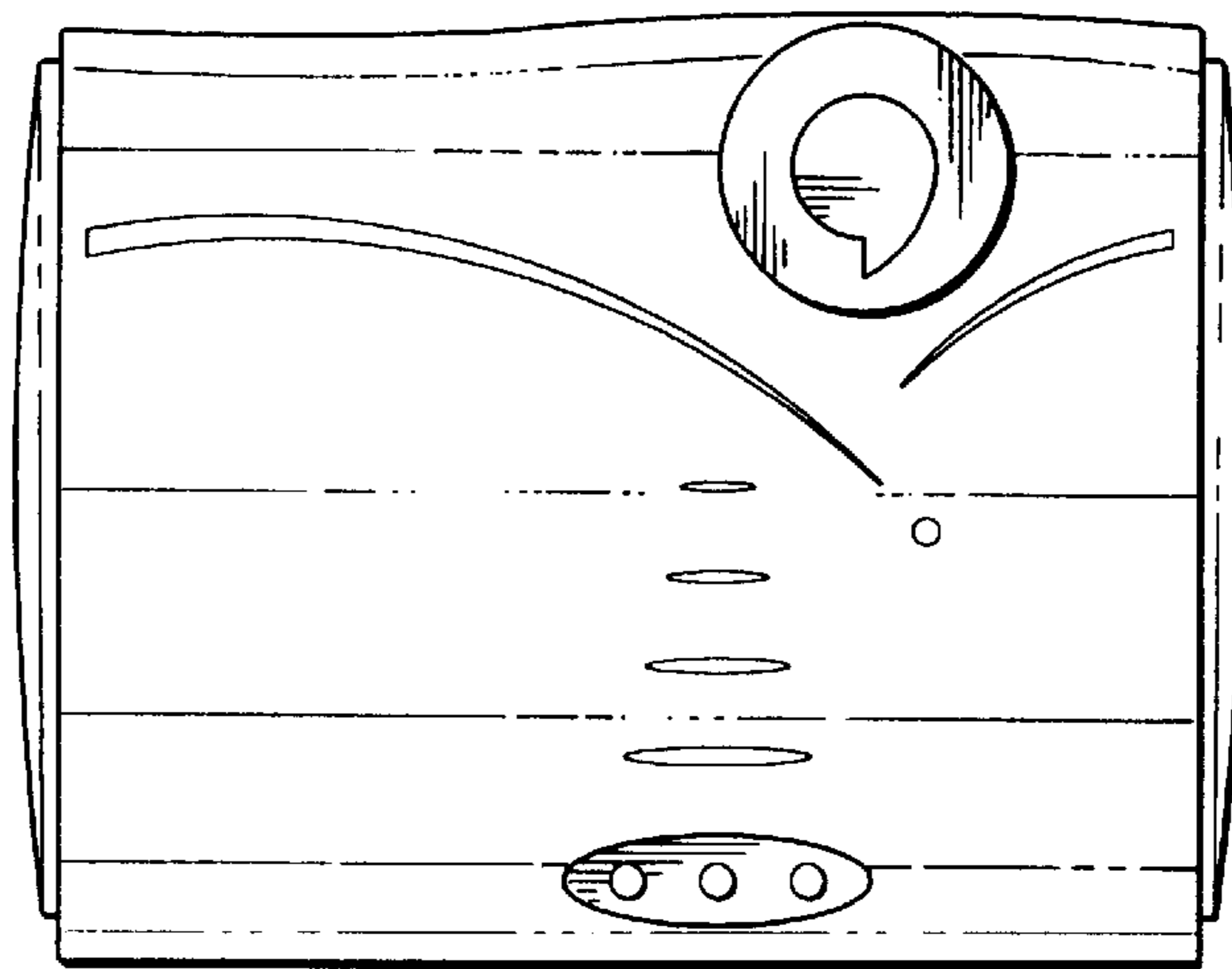


FIG. 3

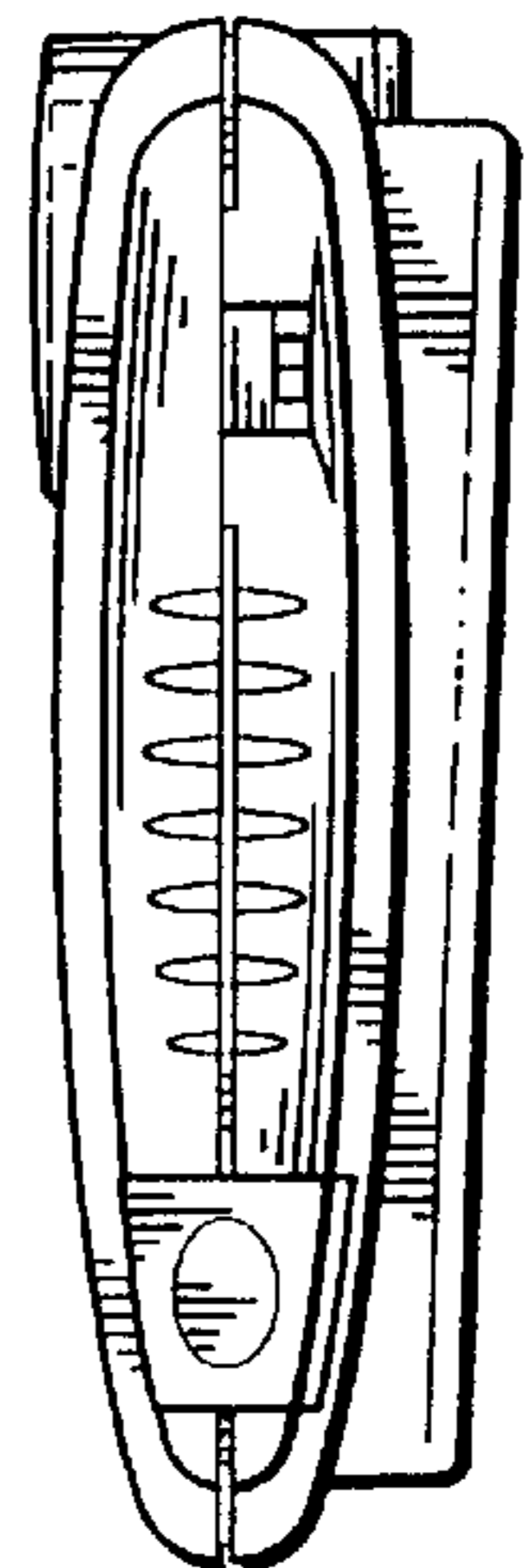


FIG. 6

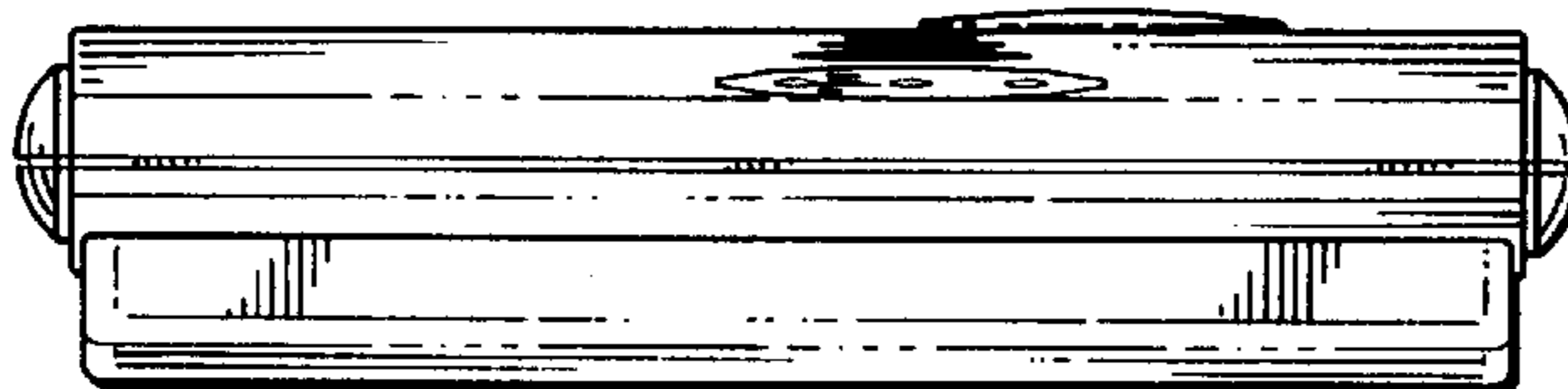


FIG. 10



FIG. 9

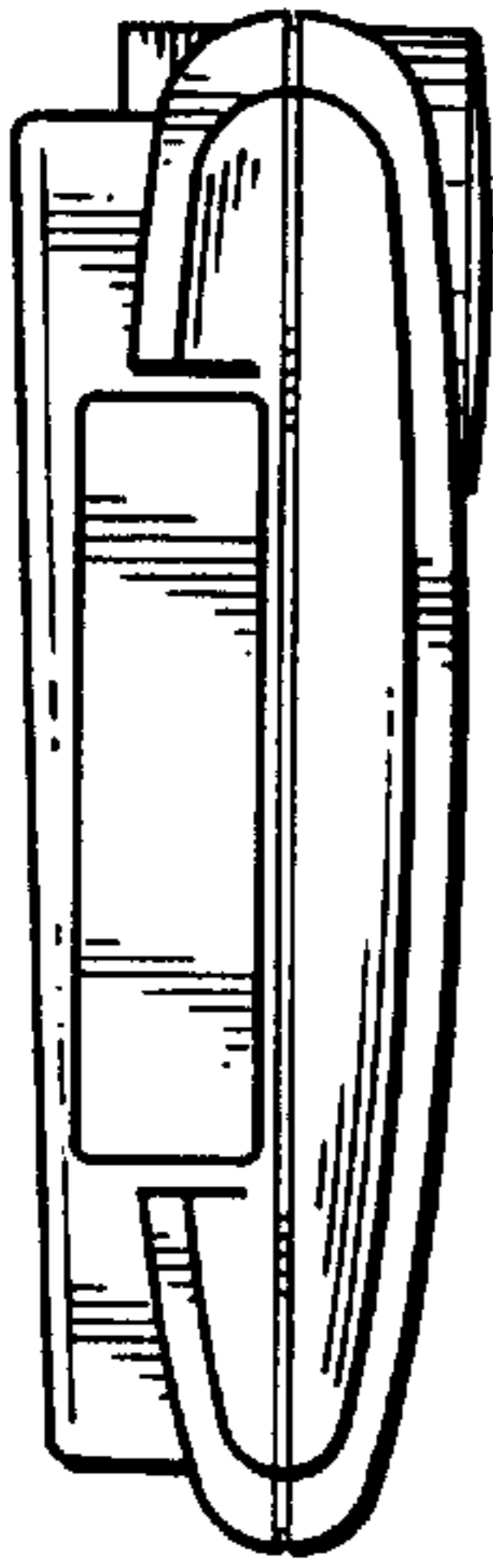


FIG. 7

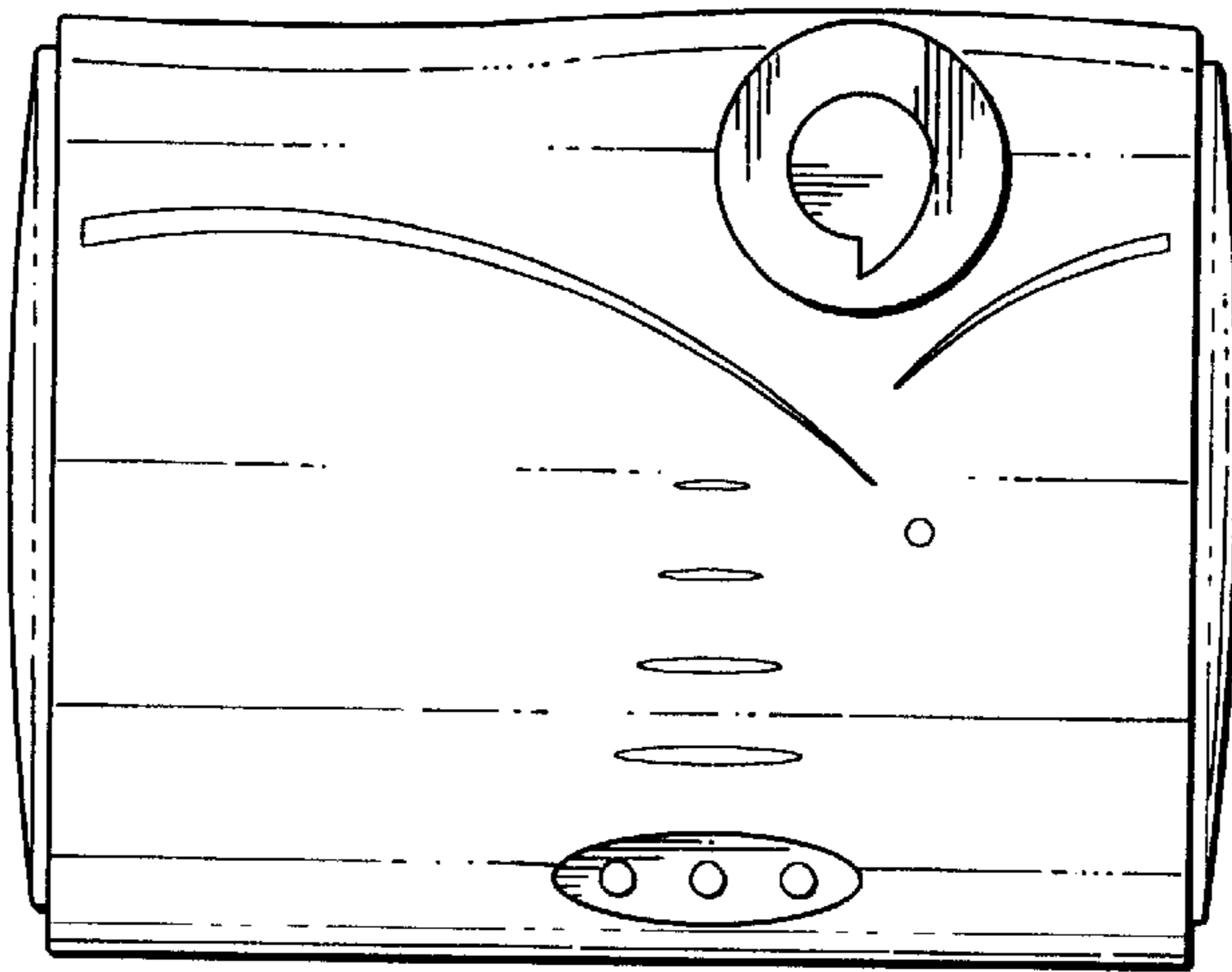


FIG. 8

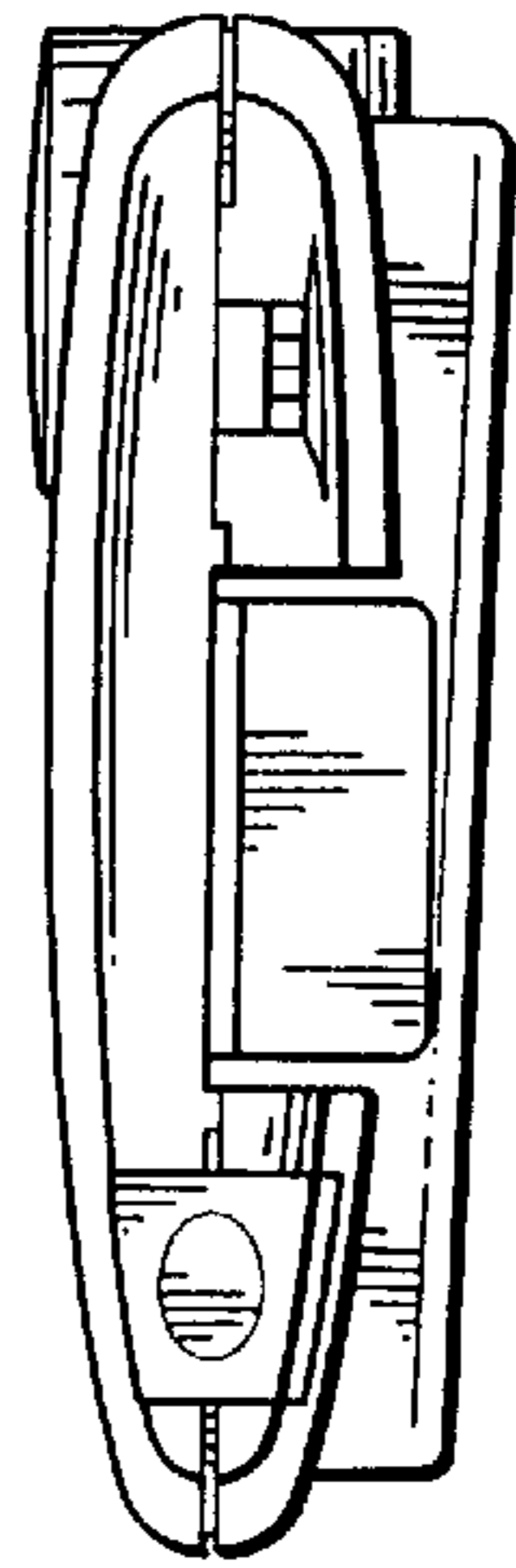
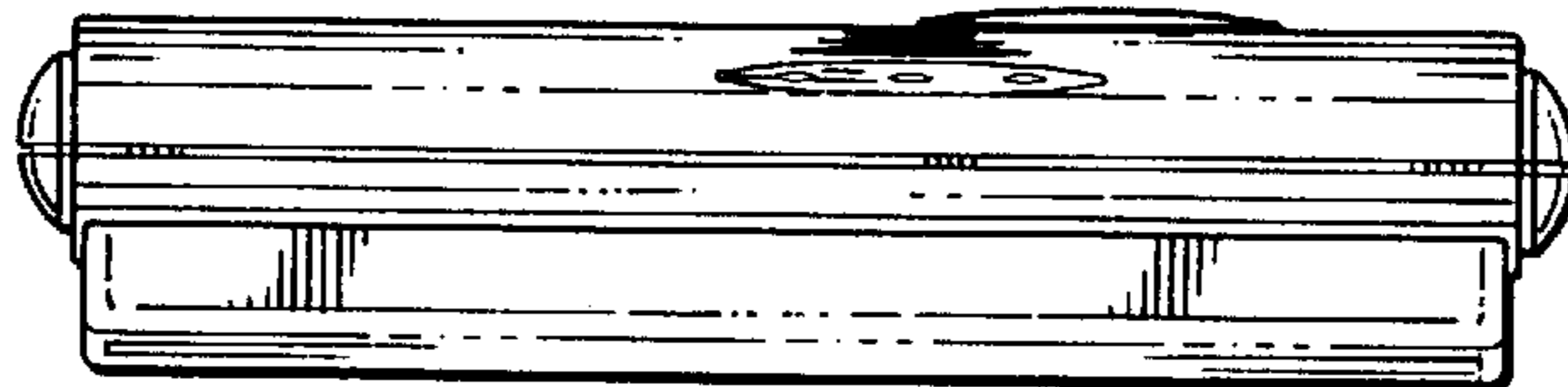


FIG. 11



UNITED STATES PATENT AND TRADEMARK OFFICE
CERTIFICATE OF CORRECTION

PATENT NO. : Des. 410,469
DATED : June 1, 1999
INVENTOR(S) : Peer M. Sathikh

It is certified that error appears in the above-identified patent and that said Letters Patent is hereby corrected as shown below:

Title page, item [22] filing date should read – Mar. 12, 1997-- instead of Mar. 13, 1997--

Signed and Sealed this
Twenty-first Day of November, 2000

Attest:



Q. TODD DICKINSON

Attesting Officer

Director of Patents and Trademarks