



US00D410467S

United States Patent [19]

[11] Patent Number: **Des. 410,467**

Mackie et al.

[45] Date of Patent: **** Jun. 1, 1999**

[54] **DIGITAL MIXER**

Attorney, Agent, or Firm—Weiss, Jensen, Ellis & Howard PC

[75] Inventors: **Greg C. Mackie**, Kirkland; **Joseph L. Erno**, Everett, both of Wash.

[57] CLAIM

[73] Assignee: **Mackie Designs Inc.**, Woodinville, Wash.

The ornamental design for a digital mixer, as shown and described.

[**] Term: **14 Years**

DESCRIPTION

[21] Appl. No.: **29/064,970**

FIG. 1 is a front elevation view of a digital mixer showing our new design;

[22] Filed: **Jan. 16, 1997**

FIG. 2 is a rear elevation view thereof;

[51] **LOC (6) Cl.** **14-99**

FIG. 3 is a top plan view thereof;

[52] **U.S. Cl.** **D14/217**

FIG. 4 is a bottom plan view thereof;

[58] **Field of Search** D14/124, 162, D14/217, 239; 379/202; 381/28, 103, 119

FIG. 5 is a left side elevation view thereof;

FIG. 6 is a right side elevation view thereof;

FIG. 7 is a rear elevation view of a second embodiment thereof; and,

[56] References Cited

FIG. 8 is a left side elevation view of a second embodiment thereof.

U.S. PATENT DOCUMENTS

- D. 332,788 1/1993 Ito et al. D14/217
- D. 344,726 3/1994 Amiya D14/217 X
- D. 357,255 4/1995 Ito et al. D14/217

The top and bottom view of the second embodiment are identical the top and bottom views of the first embodiment. The undisclosed right and front views of the second embodiment form no part of the claimed design.

Primary Examiner—Ted Shooman
Assistant Examiner—Nanda Bondade

1 Claim, 5 Drawing Sheets

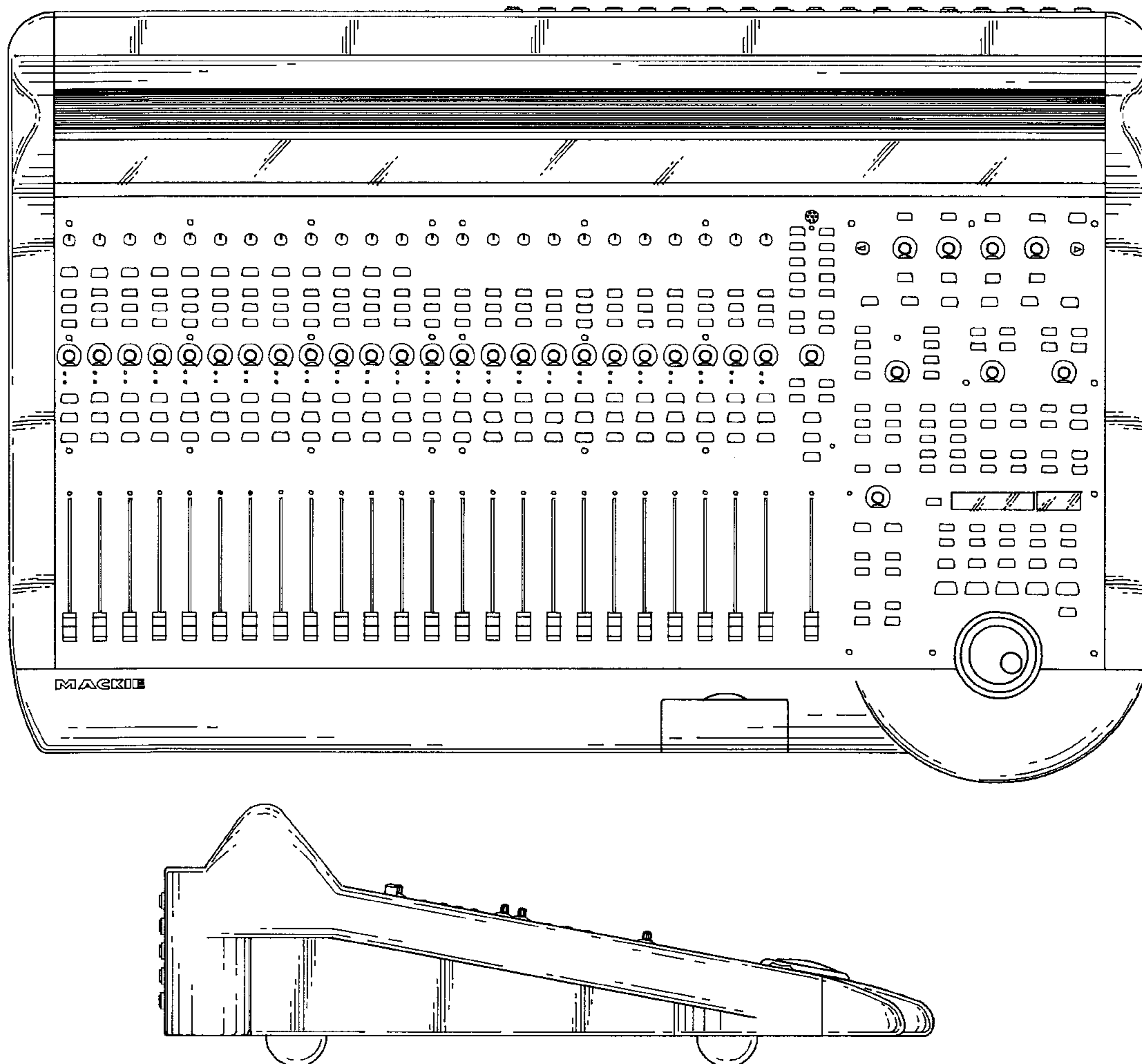


FIG. 1

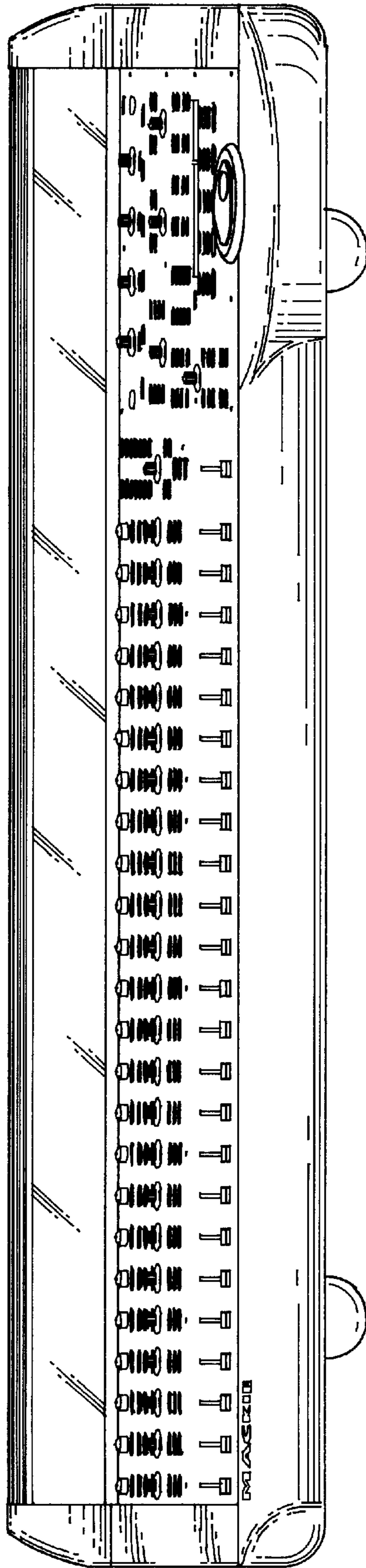


FIG. 2

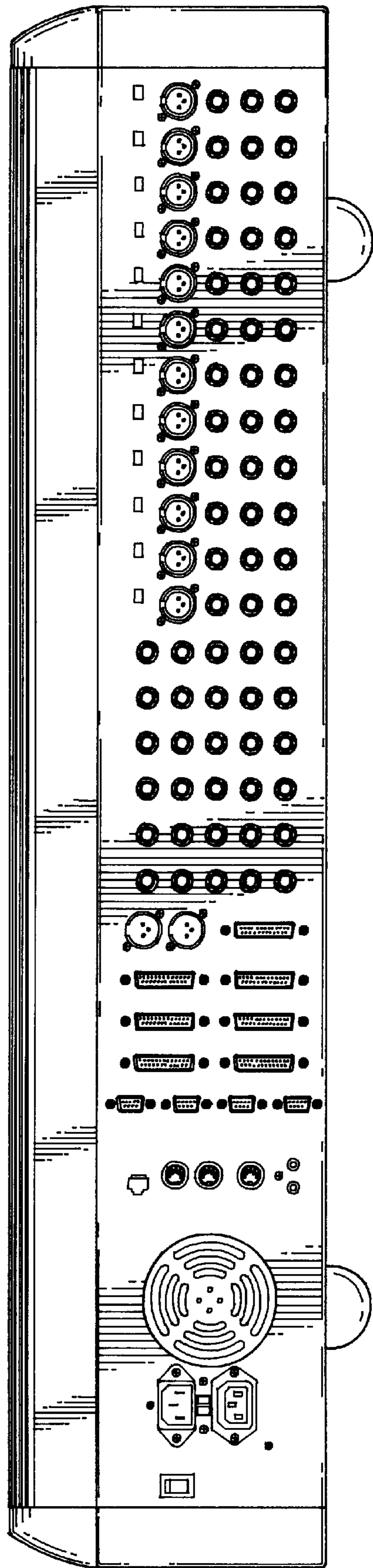
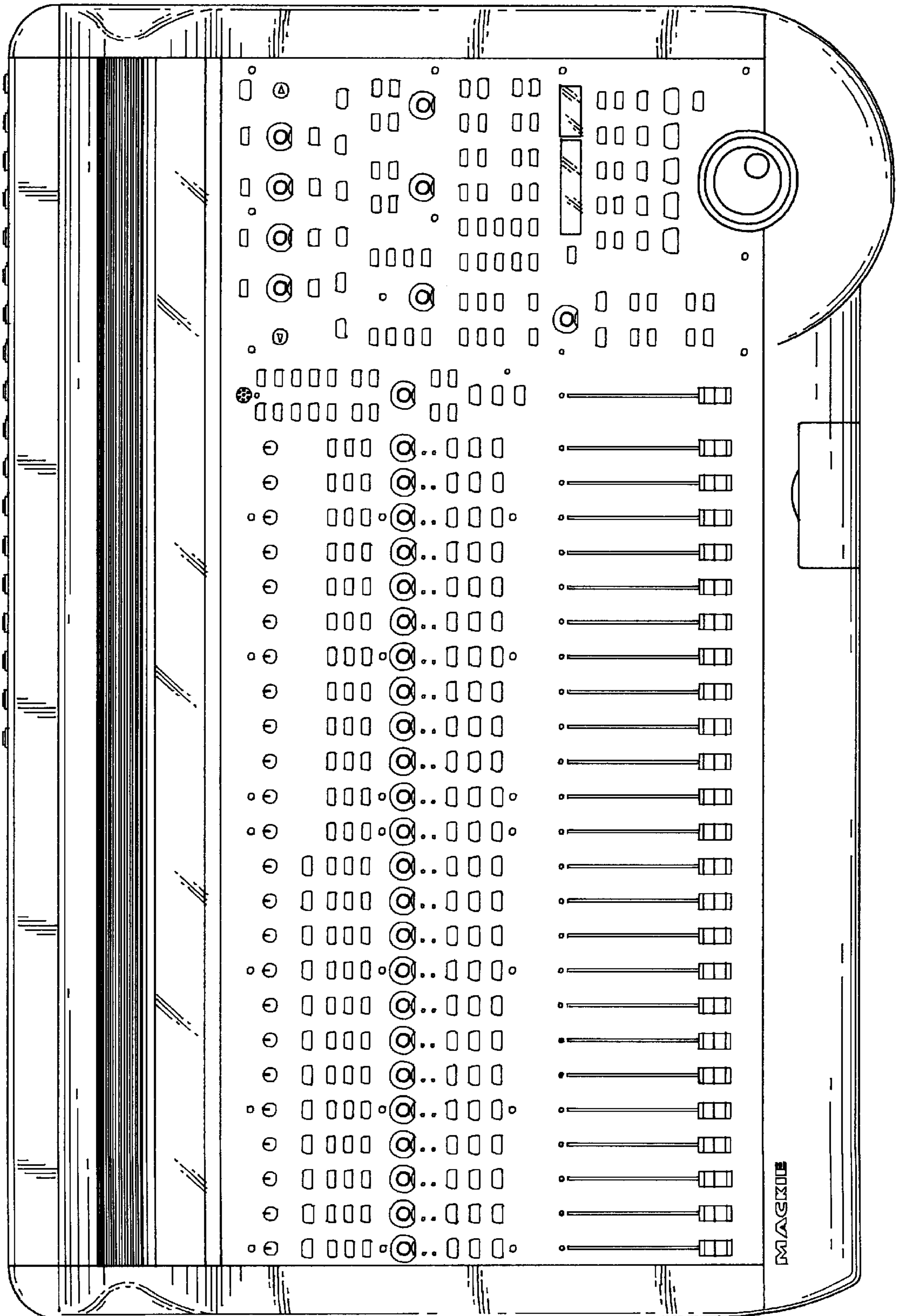


FIG. 3



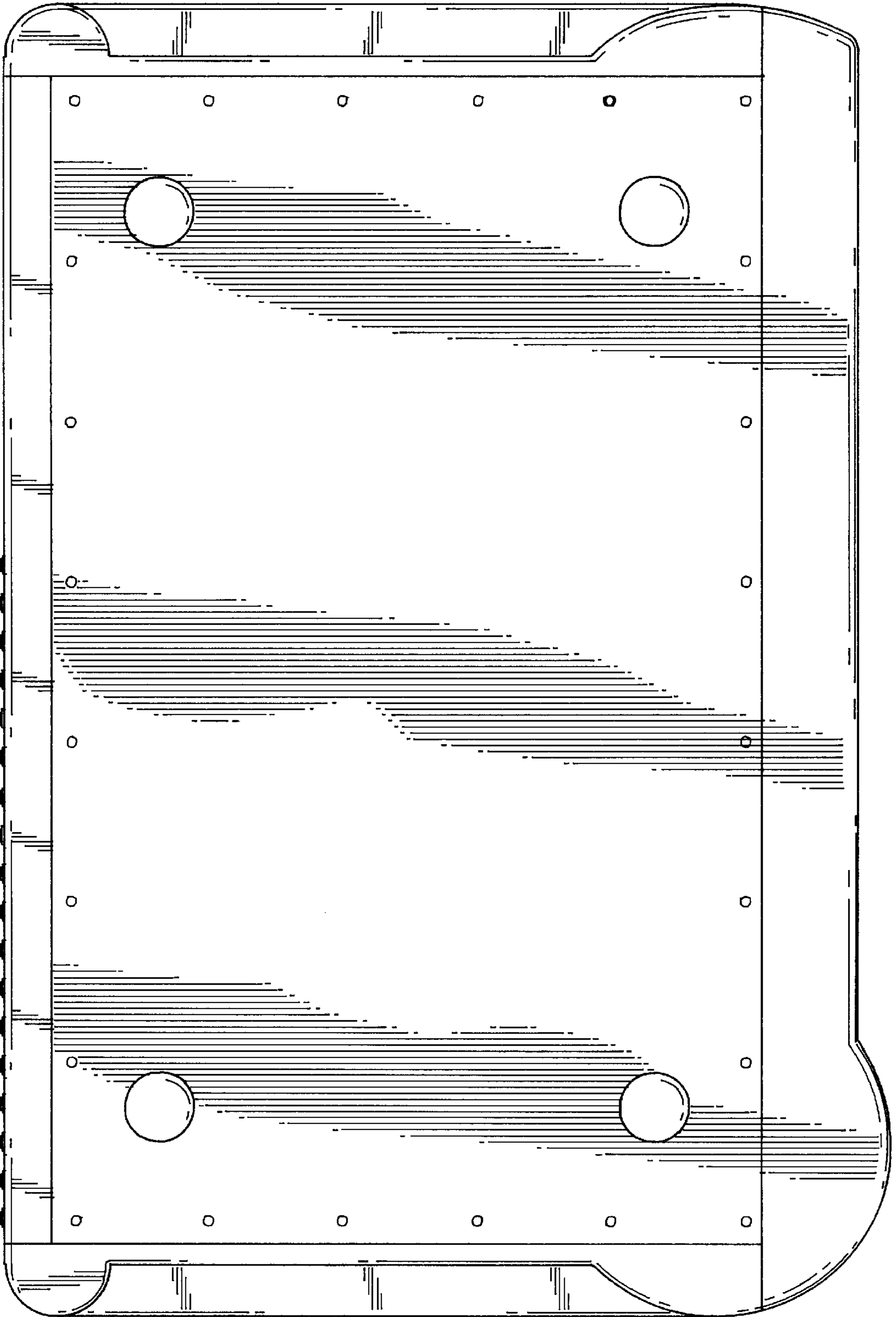


FIG. 4

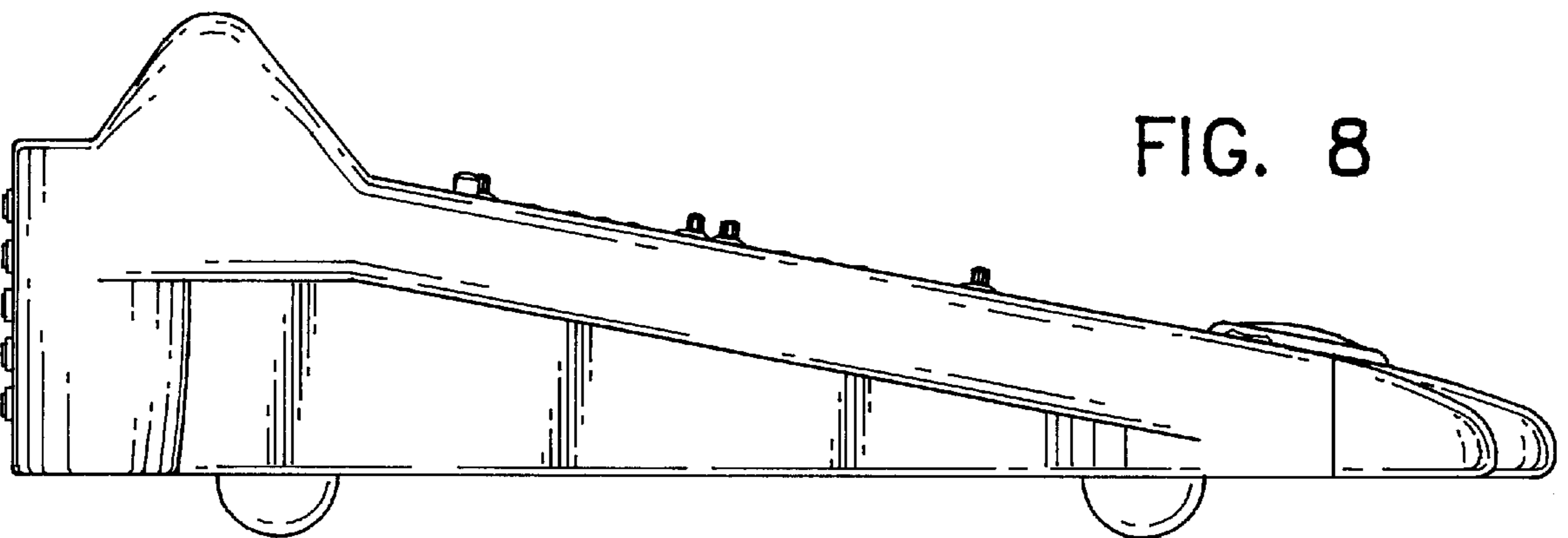
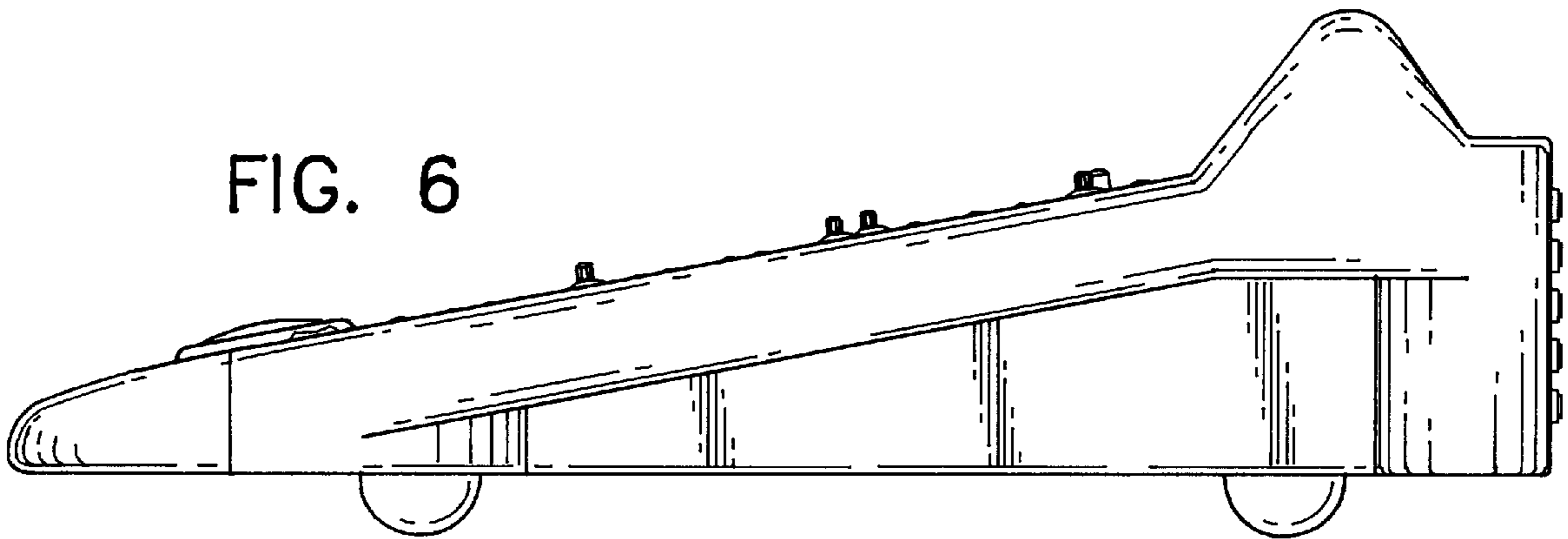
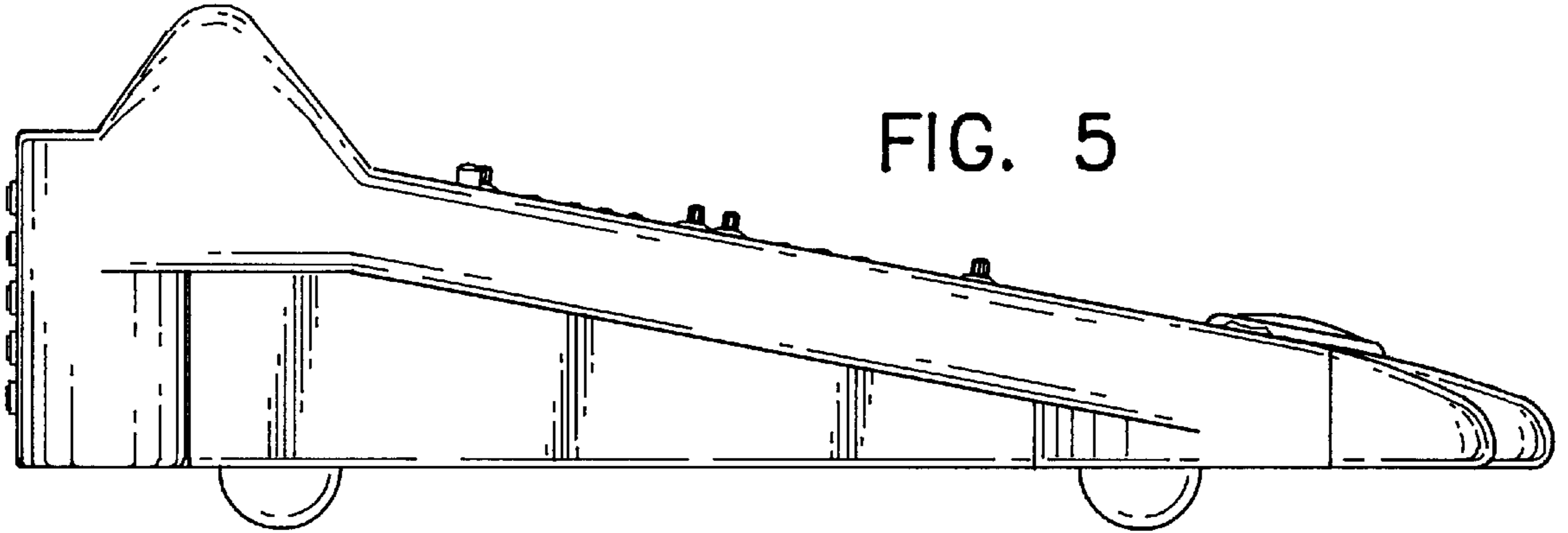


FIG. 7

