



US00D410464S

# United States Patent [19] Hakoda

[11] **Patent Number: Des. 410,464**  
[45] **Date of Patent: \*\* Jun. 1, 1999**

[54] **DISC RECORDER**

[75] Inventor: **Katsuhisa Hakoda**, Tokyo, Japan

[73] Assignee: **Sony Corporation**, Tokyo, Japan

[\*\*] Term: **14 Years**

[21] Appl. No.: **29/079,157**

[22] Filed: **Nov. 17, 1997**

[30] **Foreign Application Priority Data**

May 21, 1997 [JP] Japan ..... 9-55012

[51] **LOC (6) Cl.** ..... **14-01**

[52] **U.S. Cl.** ..... **D14/156; D14/136**

[58] **Field of Search** ..... D14/113, 124,  
D14/125, 135, 136, 156, 160-162, 167,  
299; 358/354, 355; 369/75.1, 75.2, 77.1,  
77.2

[56] **References Cited**

**U.S. PATENT DOCUMENTS**

- D. 317,306 6/1991 Hong ..... D14/135 X
- D. 341,591 11/1993 Nakamura ..... D14/156
- D. 342,734 12/1993 Kanno ..... D14/156
- D. 350,957 9/1994 Sakata et al. .... D14/156
- D. 371,357 7/1996 Nakamura ..... D14/136
- 4,811,314 3/1989 Alves ..... 369/75.2 X
- 5,265,083 11/1993 Ishii et al. .... 369/75.2

**OTHER PUBLICATIONS**

Catalog "73", p. 58, Sony (Mar. 1993).

*Primary Examiner*—Ted Shooman  
*Assistant Examiner*—Nanda Bondade  
*Attorney, Agent, or Firm*—Foley & Lardner

[57] **CLAIM**

The ornamental design for a disc recorder, as shown and described.

**DESCRIPTION**

FIG. 1 is a first perspective view of a disc recorder showing my new design;

FIG. 2 is a second perspective view thereof wherein the cover portion and the screen portion are in the open position; FIG. 3 is a third perspective view thereof wherein the cover portion is closed and the screen portion is in the open position;

FIG. 4 is a top plan view of FIG. 1 thereof;

FIG. 5 is a front elevational view thereof;

FIG. 6 is a bottom plan view thereof;

FIG. 7 is a right side elevation view thereof, a left side elevational view thereof being a mirror image; and,

FIG. 8 is a rear elevational view thereof.

The broken lines showing the inside of the disc recorder of FIG. 2 are for illustrative purposes only and form no part of the claimed design.

**1 Claim, 4 Drawing Sheets**

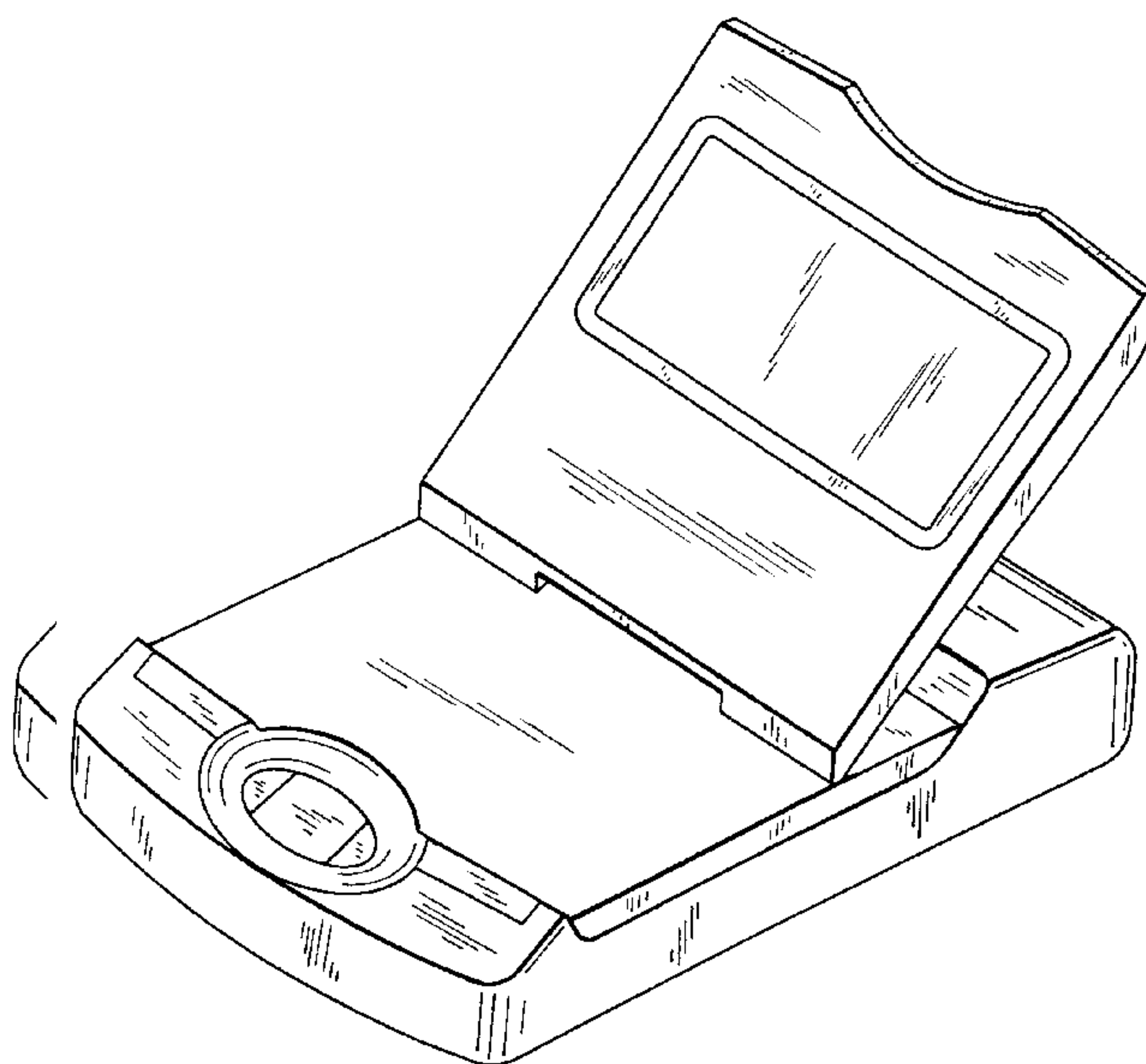
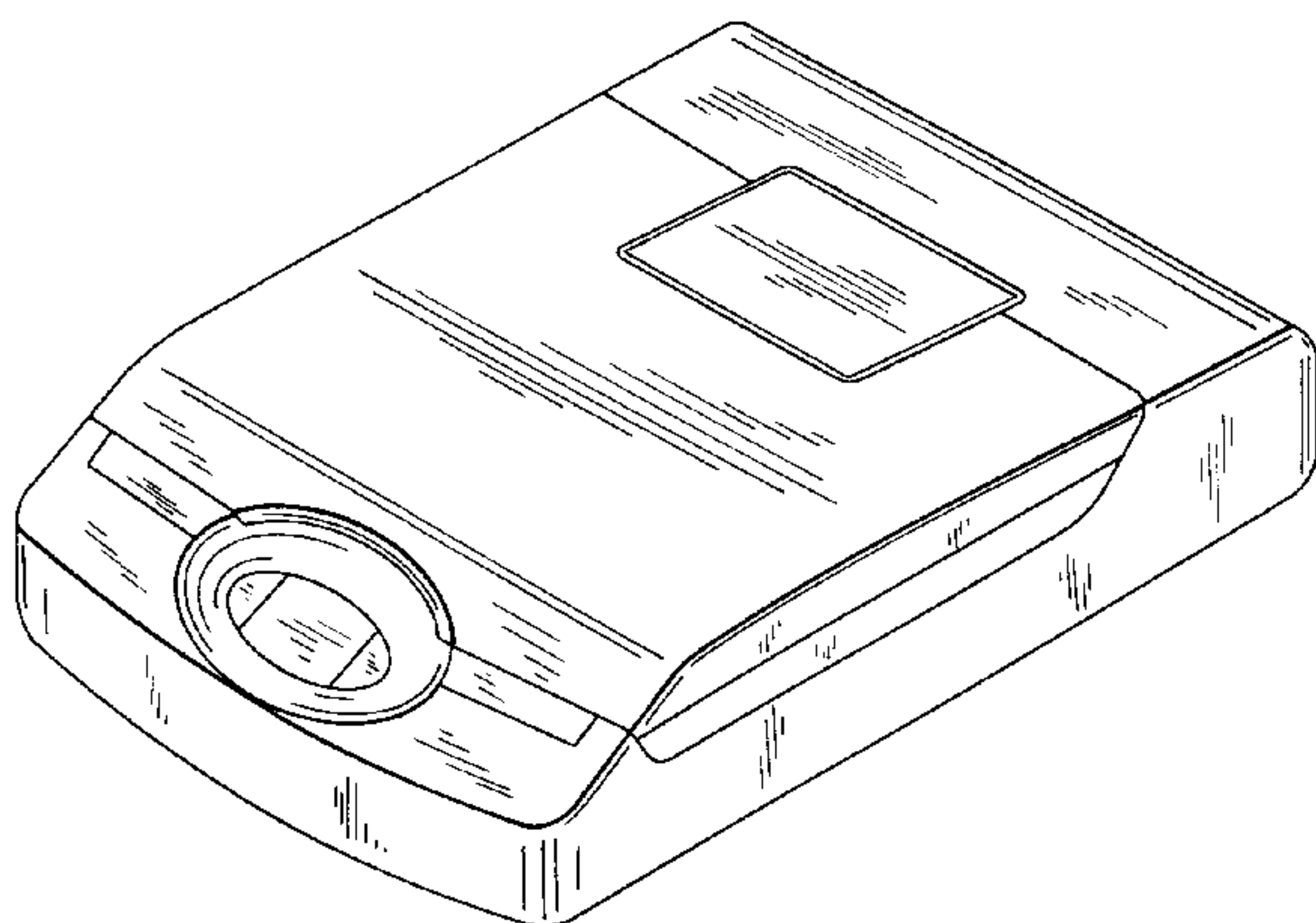


FIG. 1

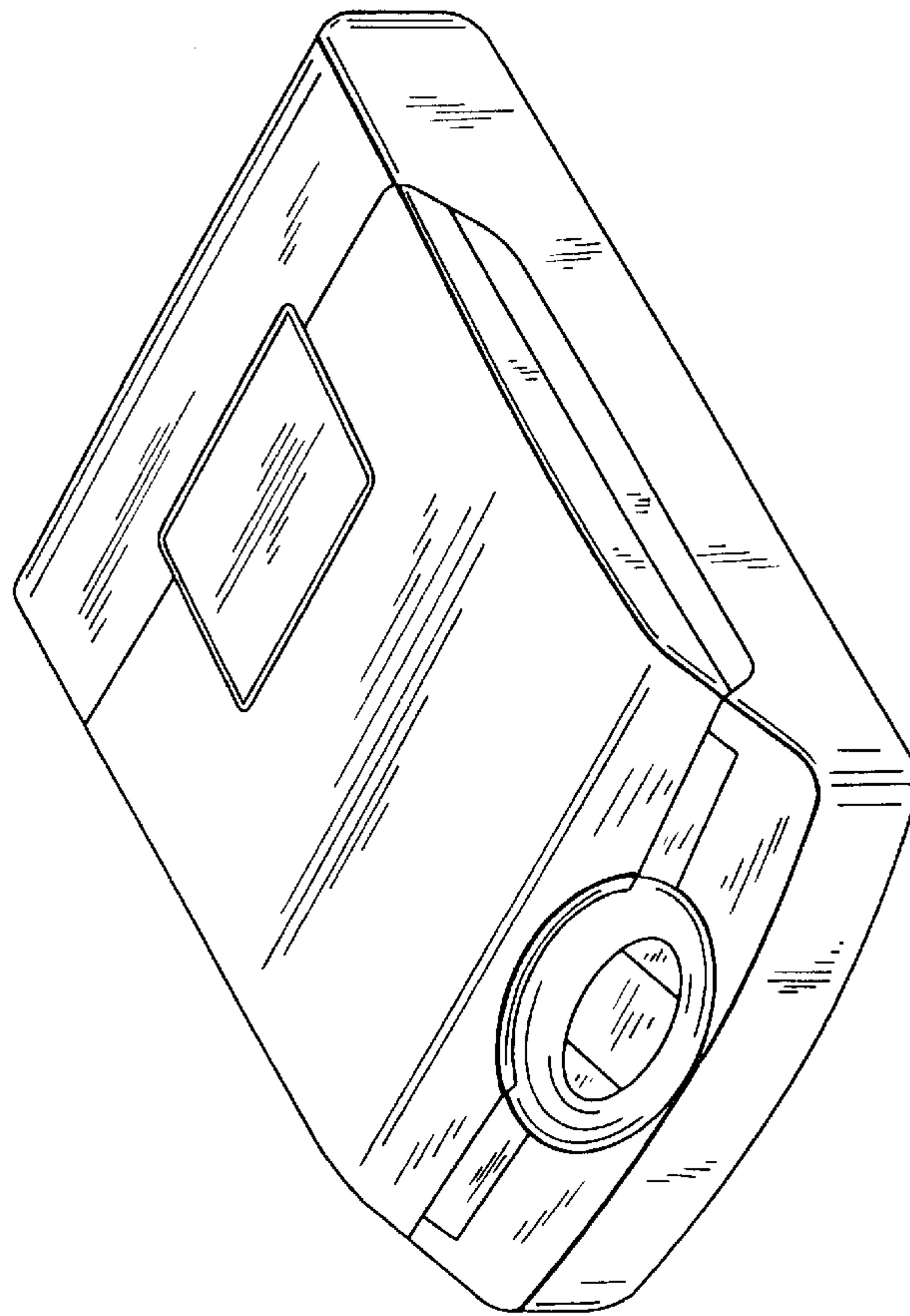


FIG. 2

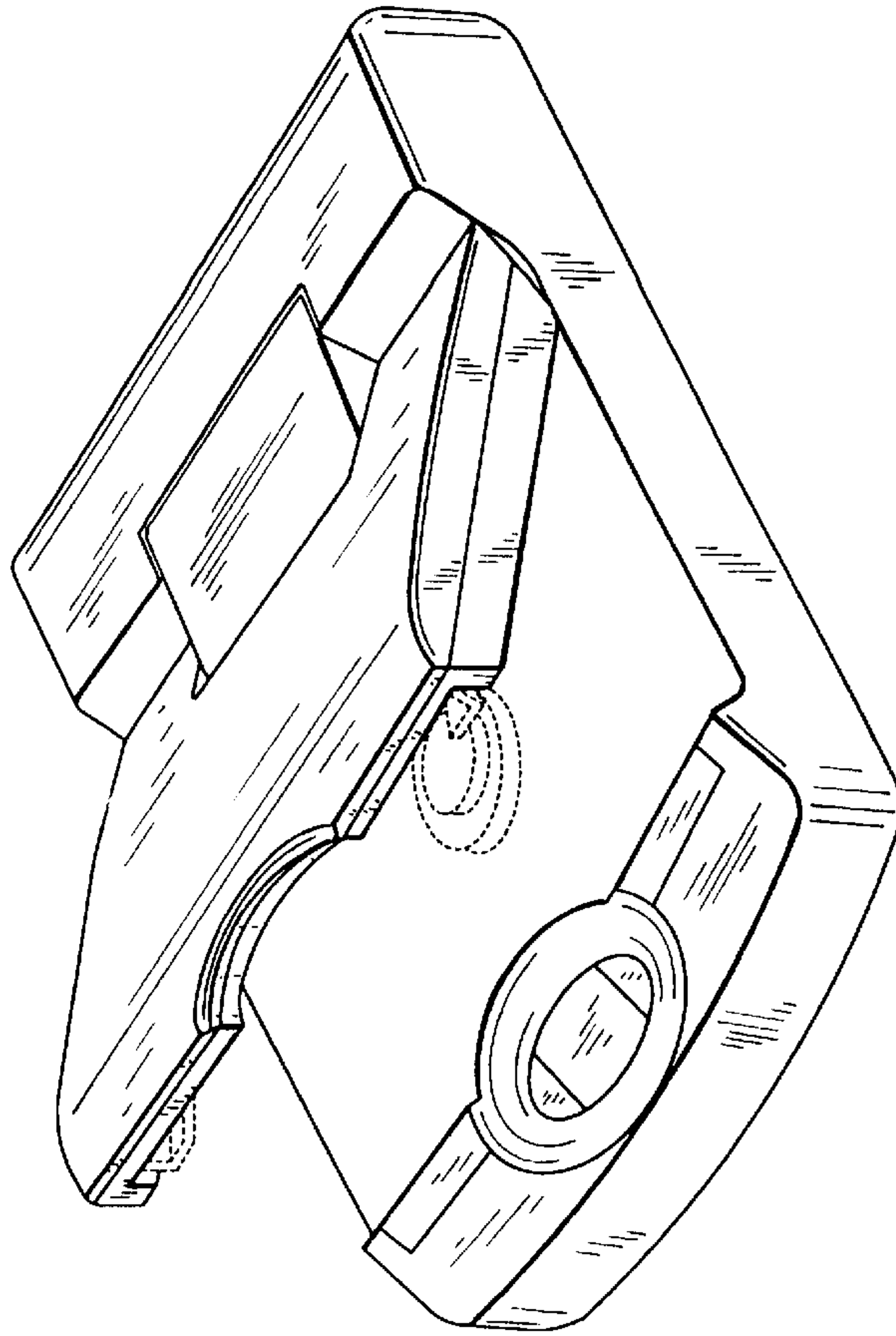


FIG. 3

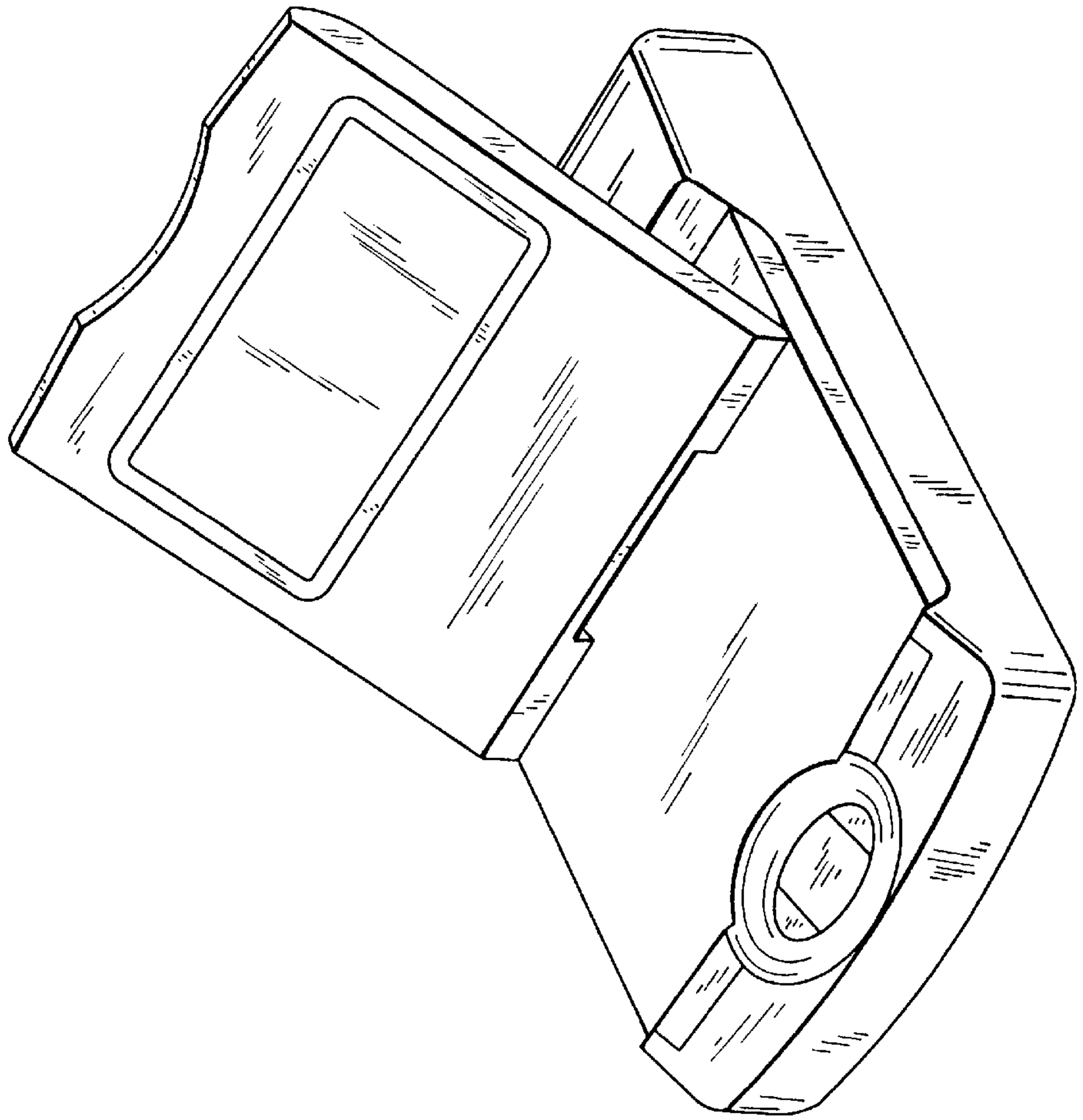


FIG. 4

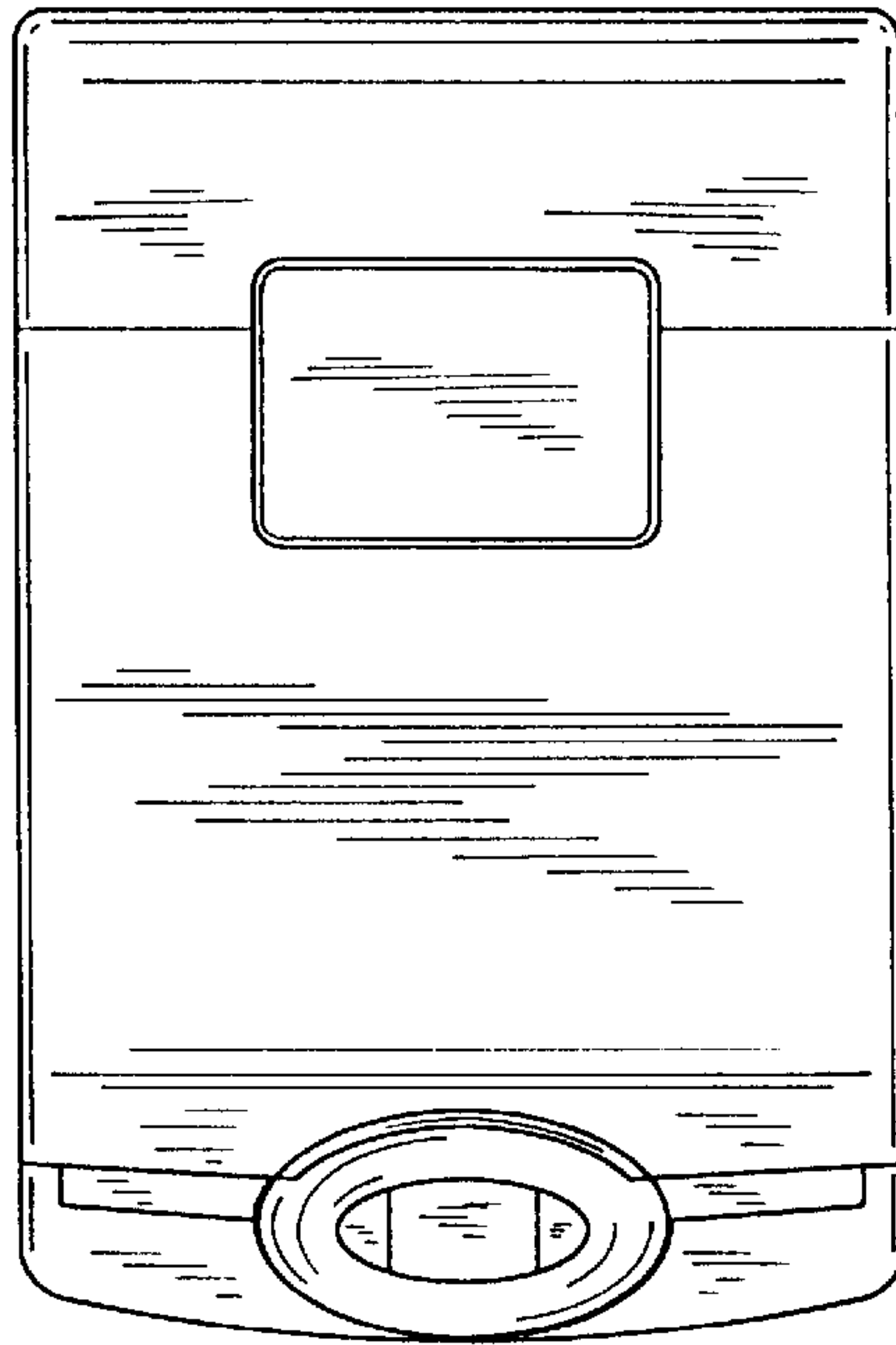


FIG. 5

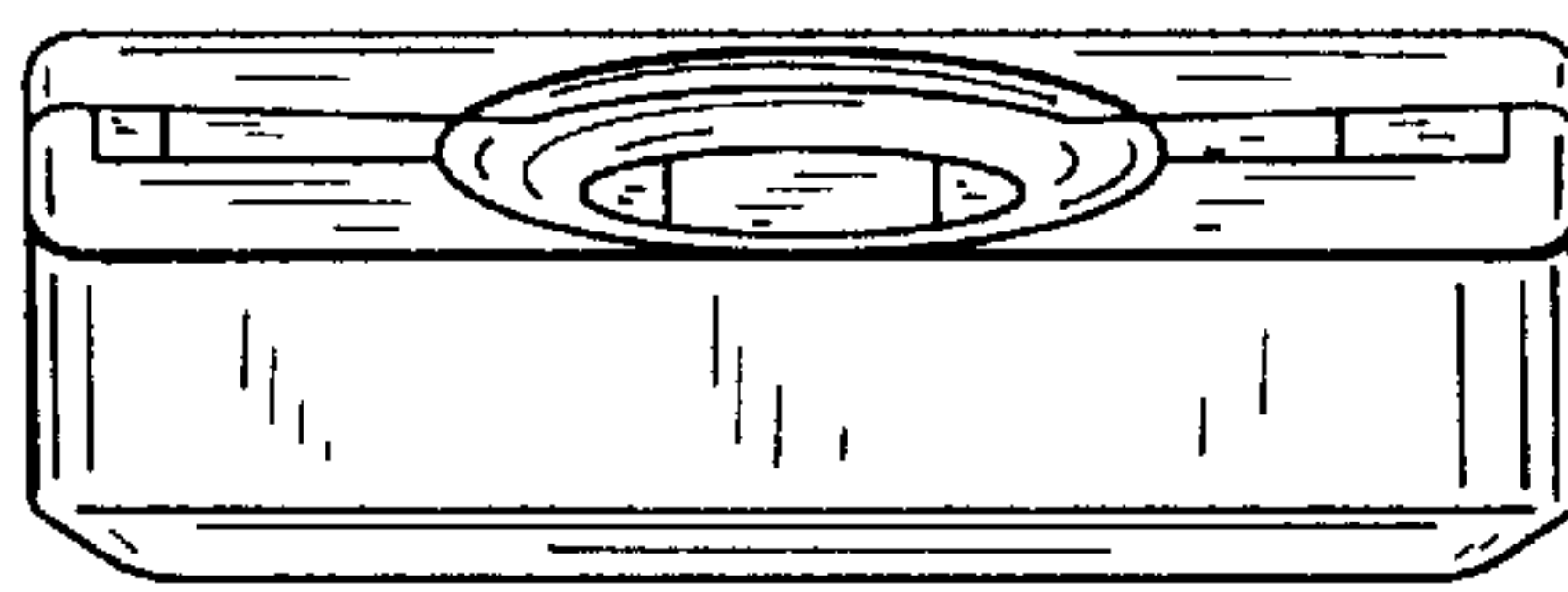


FIG. 6

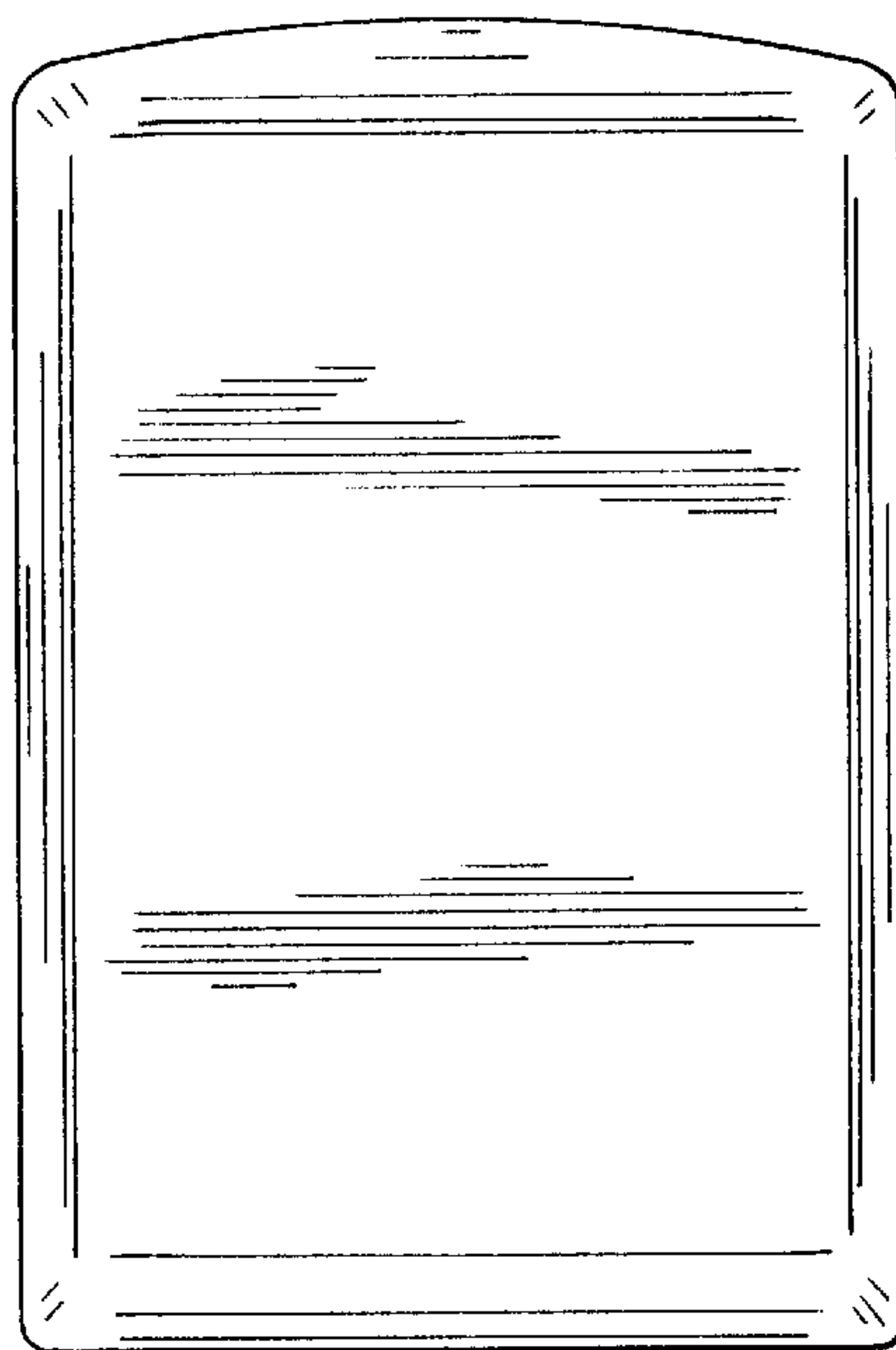


FIG. 7

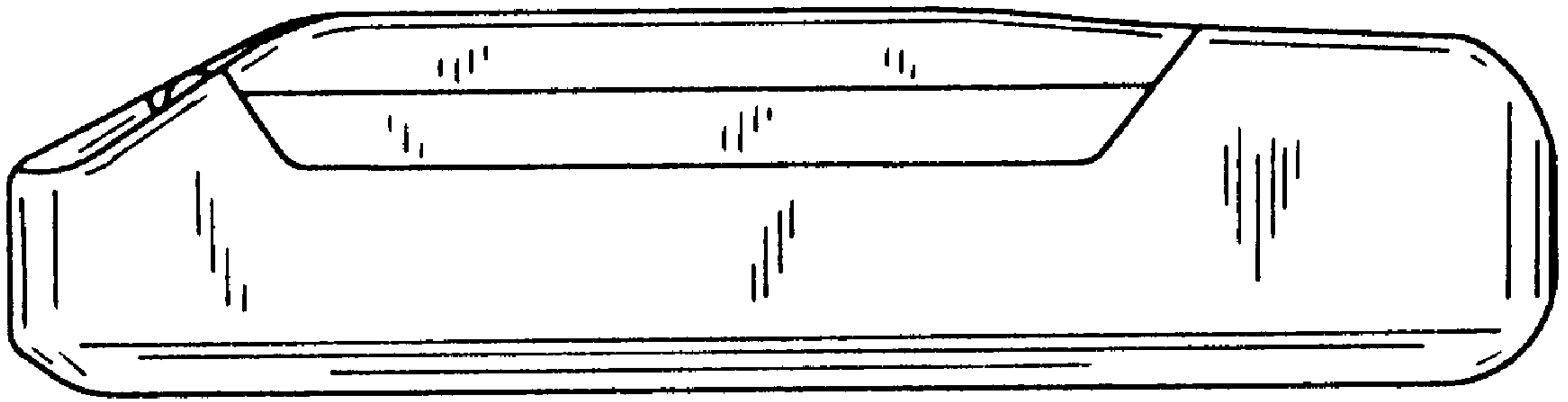


FIG. 8

