



US00D410458S

United States Patent [19]
Rosen

[11] **Patent Number: Des. 410,458**
[45] **Date of Patent: ** Jun. 1, 1999**

[54] **RETRACTABLE MONITOR SYSTEM**

[75] Inventor: **John B. Rosen**, Eugene, Oreg.

[73] Assignee: **Rosen Product Development, Inc.**, Eugene, Oreg.

[**] Term: **14 Years**

[21] Appl. No.: **29/085,368**

[22] Filed: **Mar. 20, 1998**

5,179,447 1/1993 Lain .
5,195,709 3/1993 Yasushi .
5,311,302 5/1994 Berry et al. .
5,362,144 11/1994 Shioya et al. .
5,547,248 8/1996 Marechal .

Primary Examiner—Ted Shooman
Assistant Examiner—Richelle Shelton
Attorney, Agent, or Firm—Kolisch, Hartwell, Dickinson, McCormack & Heuser

Related U.S. Application Data

[62] Division of application No. 29/068,971, Apr. 21, 1997, Pat. No. Des. 394,432.

[51] **LOC (6) Cl.** **14-03**

[52] **U.S. Cl.** **D14/132; D14/113**

[58] **Field of Search** D14/113, 124-134; D6/513; D8/380; D12/345, 415, 418; D16/235; D19/60; D24/158; 108/44, 137; 244/118.5; 248/917-924; 312/7.2; 340/995; 345/905; 348/148, 825, 827, 836-838, 840

[56] **References Cited**

U.S. PATENT DOCUMENTS

- D. 299,491 1/1989 Masuda D14/129 X
- D. 332,715 1/1993 Sedighzadeh et al. D6/513
- 4,630,821 12/1986 Greenwald .
- 4,836,486 6/1989 Vossoughi et al. .
- 4,843,477 6/1989 Mizutani et al. 348/837
- 5,076,524 12/1991 Reh et al. .
- 5,096,271 3/1992 Portman 312/7.2
- 5,145,128 9/1992 Umeda 244/118.5
- 5,161,028 11/1992 Kawata et al. .
- 5,177,616 1/1993 Riday .

[57] **CLAIM**

The ornamental design for a retractable monitor system, as shown and described.

DESCRIPTION

FIG. 1 is an isometric view of a retractable monitor system constructed in accordance with the invention, the monitor system being shown from the bottom with the monitor in a display orientation;
FIG. 2 is an isometric view similar to that of FIG. 1, but showing the monitor system from the top with the monitor in a stowed orientation;
FIG. 3 is a left-side view of the monitor system as shown in FIG. 2;
FIG. 4 is a right-side view of the monitor system as shown in FIG. 2;
FIG. 5 is a rear view of the monitor system as shown in FIG. 2;
FIG. 6 is a front view of the monitor system as shown in FIG. 2;
FIG. 7 is a top plan view of the monitor system as shown in FIG. 2; and,
FIG. 8 is a bottom plan view of the monitor system as shown in FIG. 2.

1 Claim, 3 Drawing Sheets

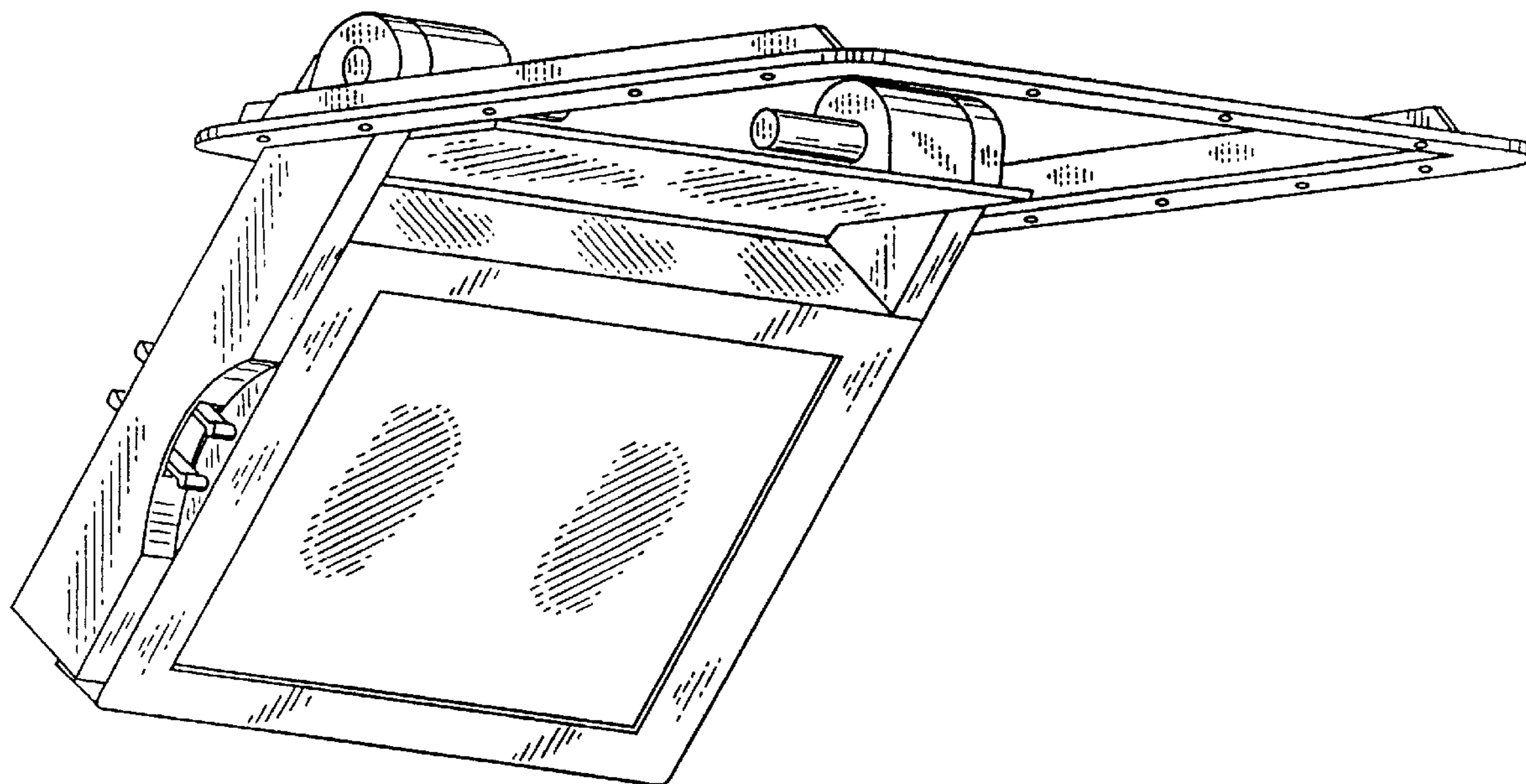


FIG. 1

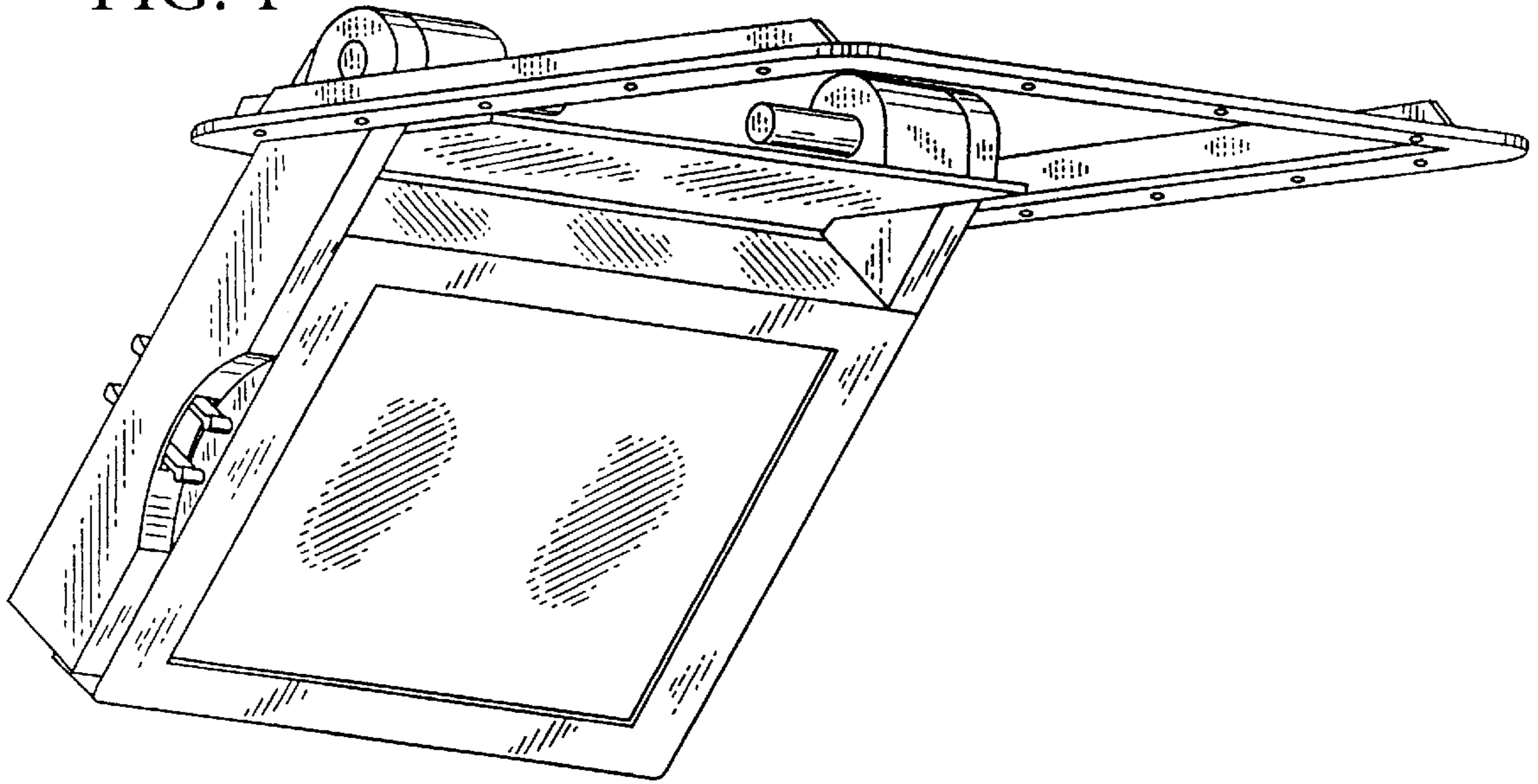


FIG. 2

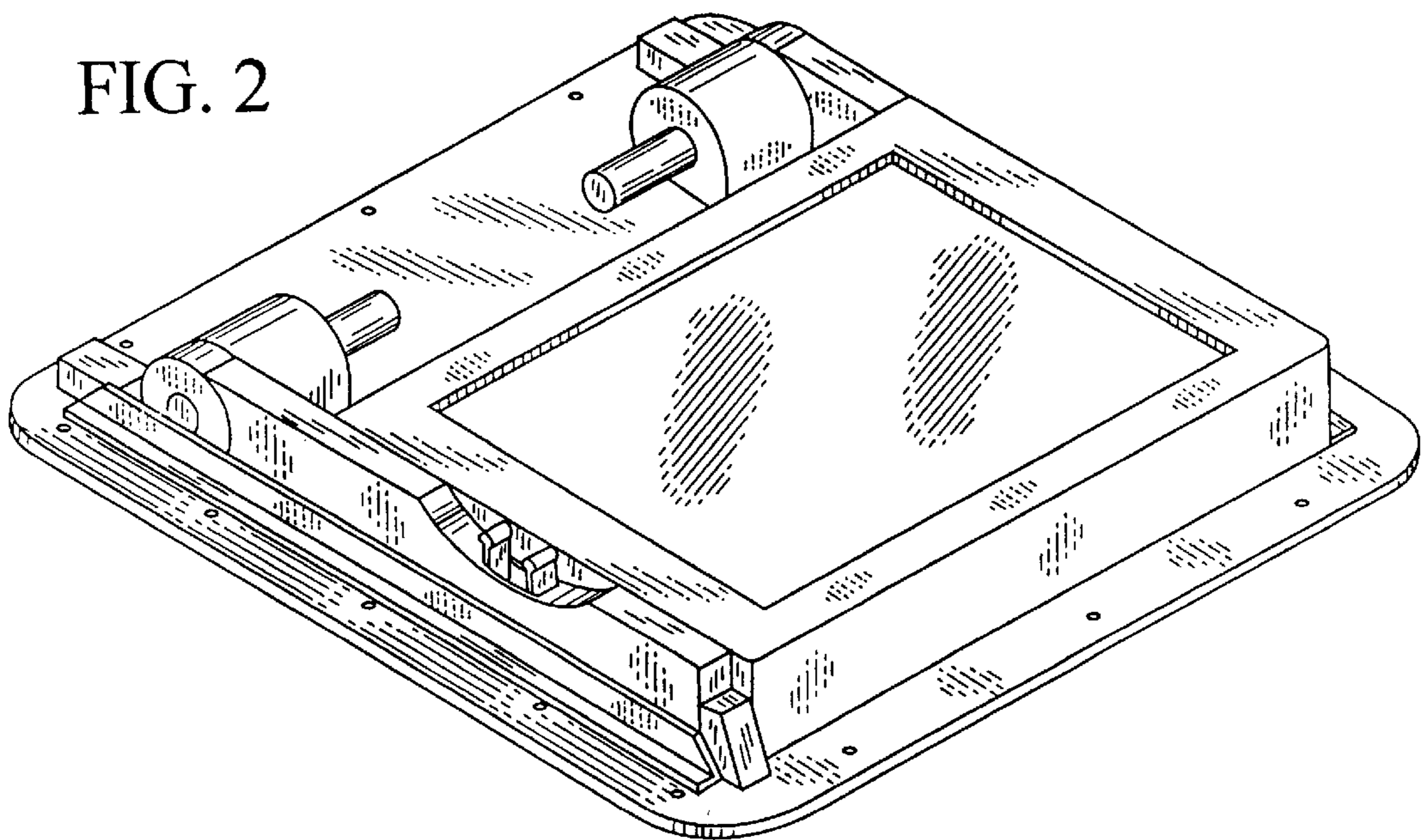


FIG. 3

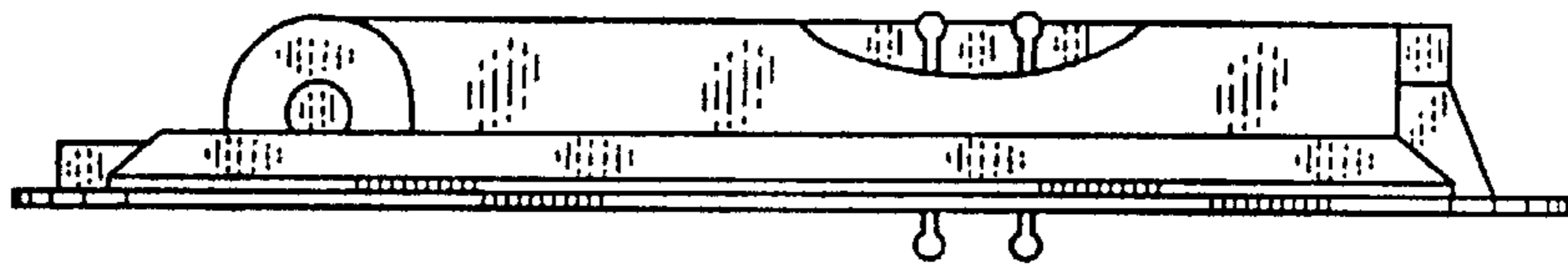


FIG. 4

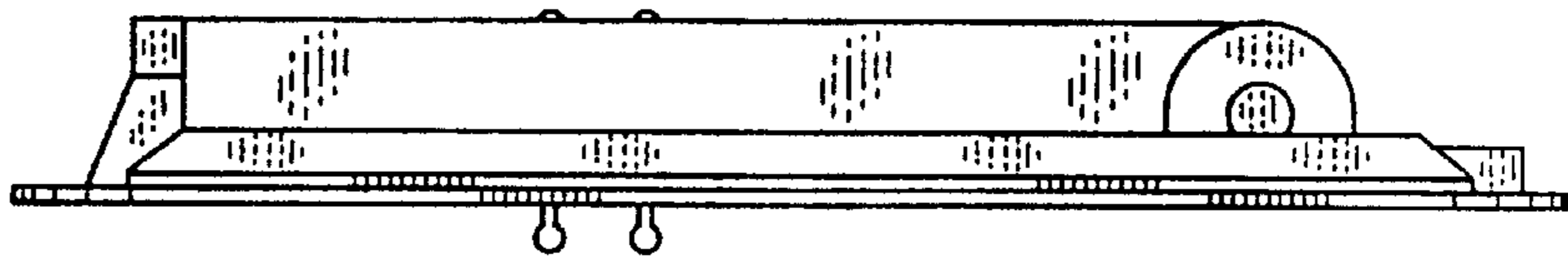


FIG. 5

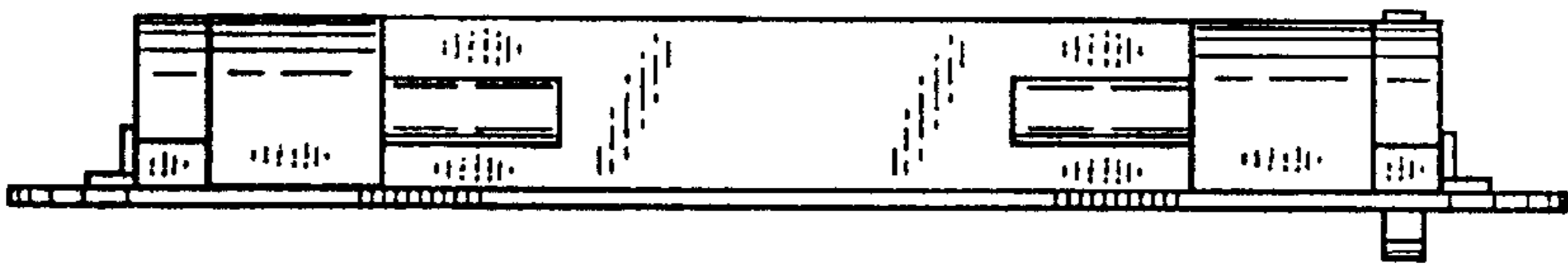


FIG. 6

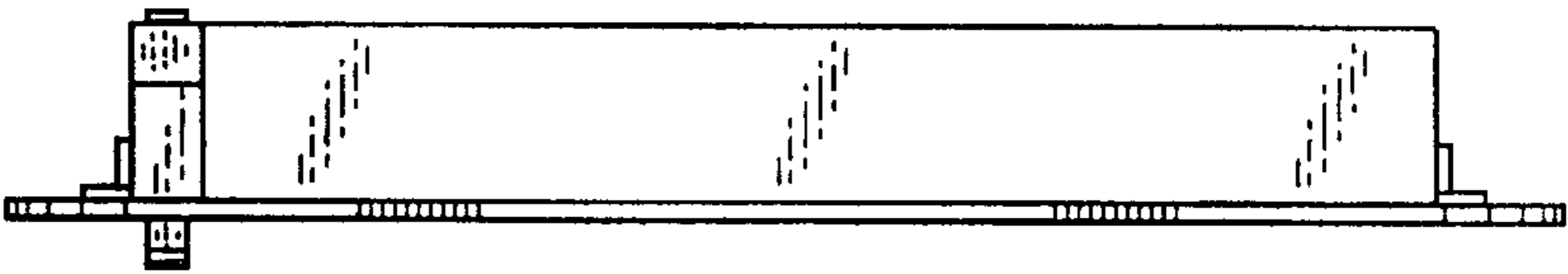


FIG. 7

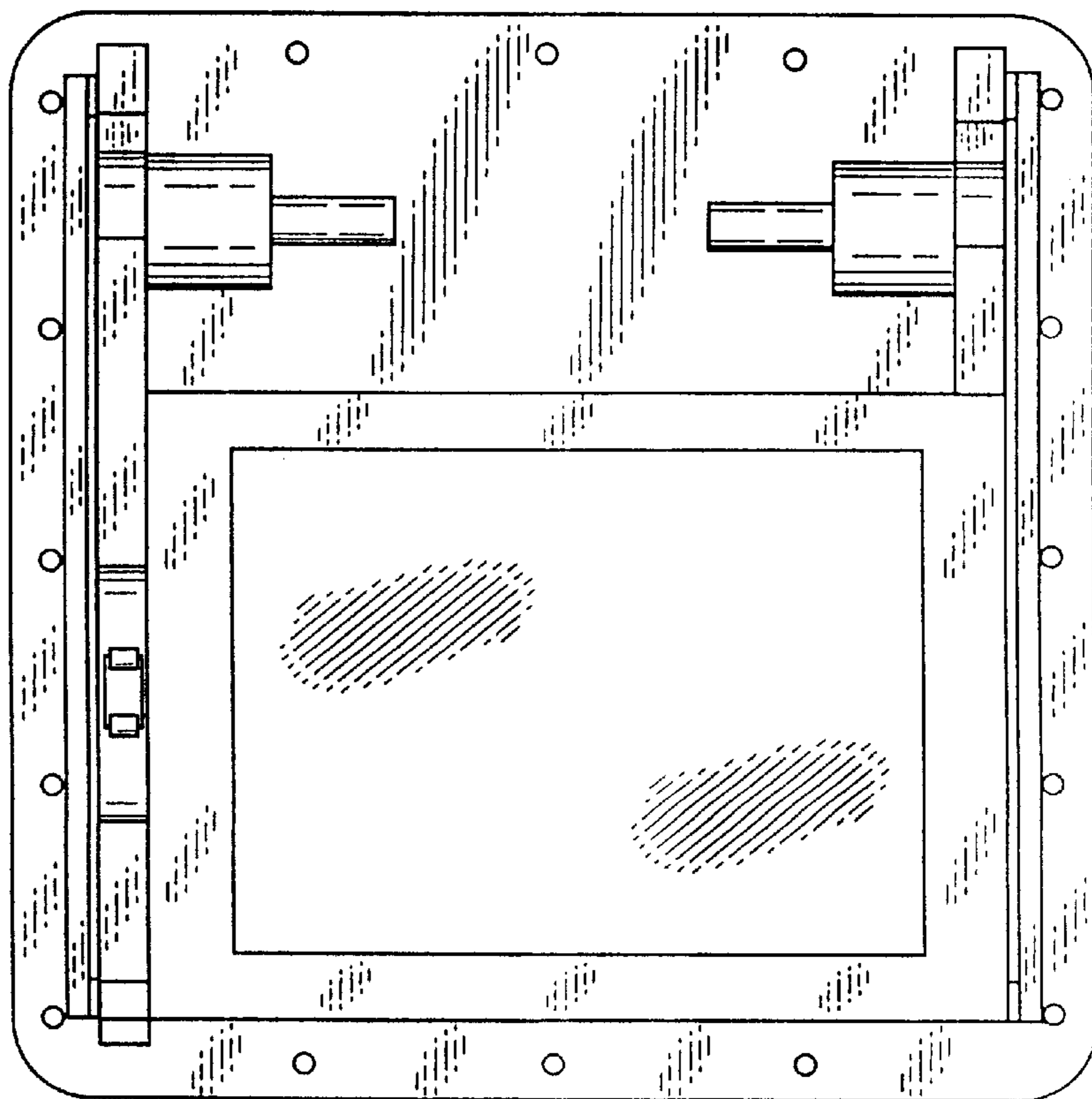


FIG. 8

