



US00D410453S

United States Patent [19] Timm

[11] **Patent Number: Des. 410,453**
[45] **Date of Patent: ** Jun. 1, 1999**

[54] **KEYBOARD SUPPORT HAVING MOVABLE MOUSE EXTENSION**

[75] Inventor: **Derek Timm**, Windsor, Calif.

[73] Assignee: **Work-Rite Ergonomics Accessories, Inc.**, Calif.

[**] Term: **14 Years**

[21] Appl. No.: **29/094,354**

[22] Filed: **Sep. 30, 1998**

[51] **LOC (6) Cl.** **14-02**

[52] **U.S. Cl.** **D14/114**

[58] **Field of Search** D14/100, 114,
D14/117.1-117.9; 248/917-924, 118, 118.1,
118.3, 118.5; 400/715; D18/12

[56] **References Cited**

U.S. PATENT DOCUMENTS

D. 352,278	11/1994	Sharpe, III et al. .	
D. 357,241	4/1995	Rossmann et al.	D14/114
D. 357,910	5/1995	Newhouse	D14/114
D. 380,462	7/1997	Wilson .	
D. 391,941	3/1998	Brunner	D14/114
5,463,925	11/1995	Galocy .	
5,490,647	2/1996	Rice .	
5,522,572	6/1996	Copeland et al. .	
5,564,667	10/1996	Copeland et al. .	
5,583,496	12/1996	Sharpe, III et al. .	
5,584,596	12/1996	Greene .	
5,612,691	3/1997	Murmann et al. .	
5,628,483	5/1997	Smith et al.	248/118
5,653,413	8/1997	Fink .	
5,655,743	8/1997	Gillis .	

5,667,320	9/1997	Ambrose et al. .
5,683,064	11/1997	Copeland et al. .
5,692,815	12/1997	Murphy .
5,704,698	1/1998	Lin .

Primary Examiner—Kay H. Chin
Attorney, Agent, or Firm—Watts, Hoffman, Fisher & Heinke, L.P.A.

[57] **CLAIM**

I claim the ornamental design for a keyboard support having movable mouse extension, as shown and described.

DESCRIPTION

FIG. 1 is a perspective view of a keyboard support having movable mouse extension showing my new design, the movable being positioned to extend to the right of the support;

FIG. 2 is a perspective view of the a keyboard support of FIG. 1, the movable mouse extension being positioned to extend to the left of the support;

FIG. 3 is a top plan view of the keyboard support of FIG. 1;

FIG. 4 is a bottom plan view of the keyboard support of FIG. 1;

FIG. 5 is a right side elevation view of the keyboard support of FIG. 1;

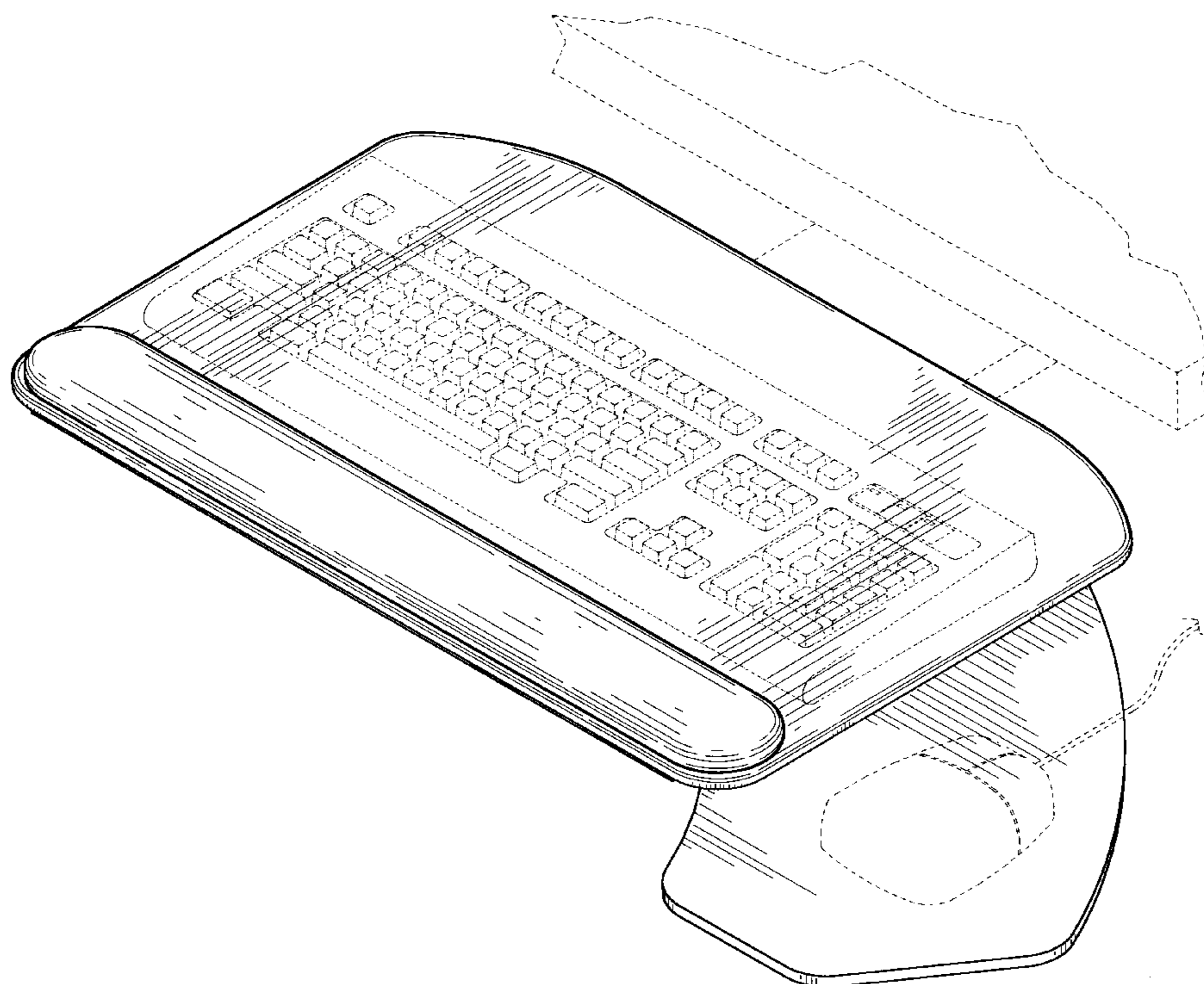
FIG. 6 is a left side elevation view of the keyboard support of FIG. 1;

FIG. 7 is a front elevation view of the keyboard support of FIG. 1; and,

FIG. 8 is a back elevation view of the keyboard support of FIG. 1.

The broken lines shown are for illustrative purposes only and forms no part of the claimed design.

1 Claim, 3 Drawing Sheets



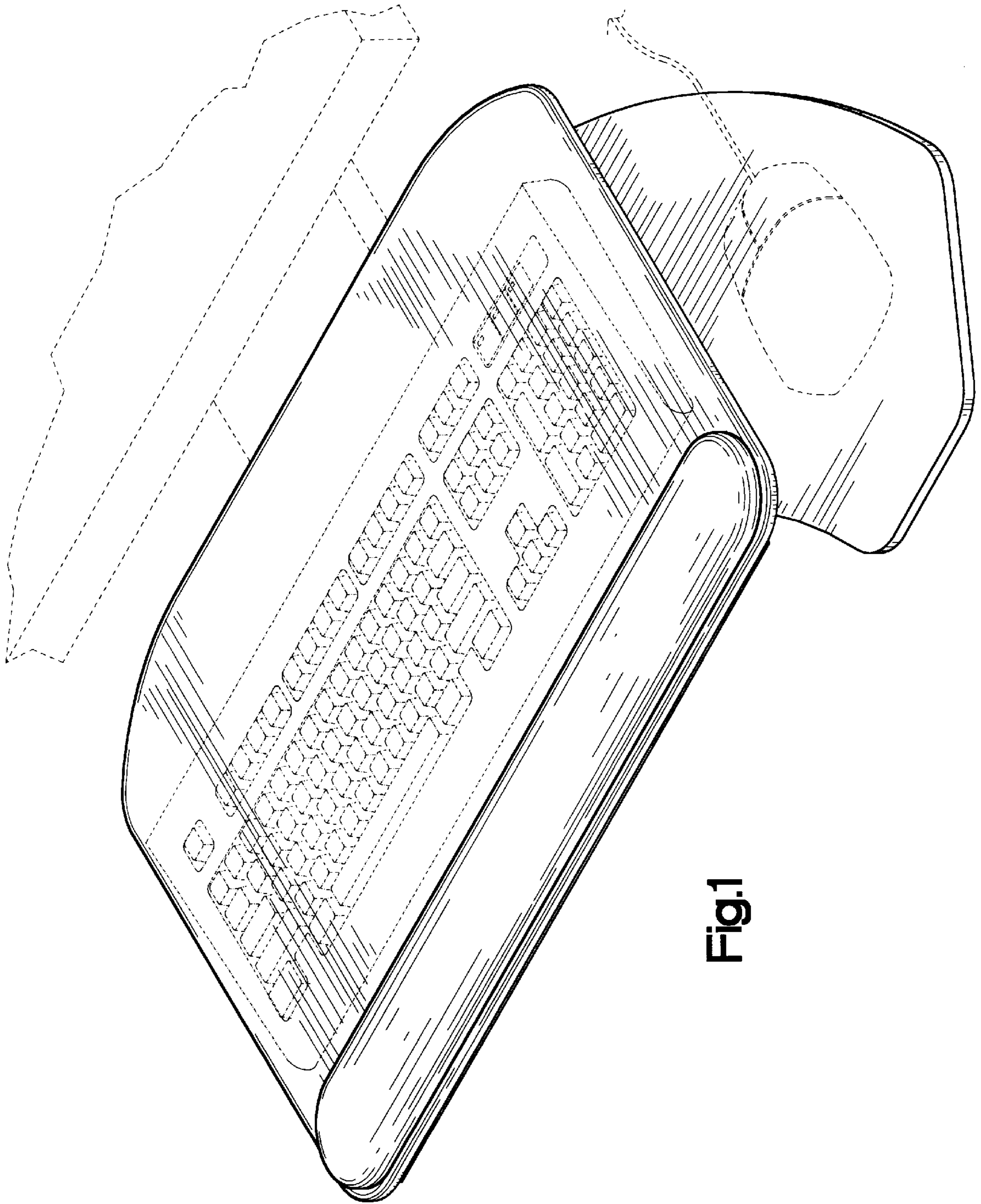


Fig.1

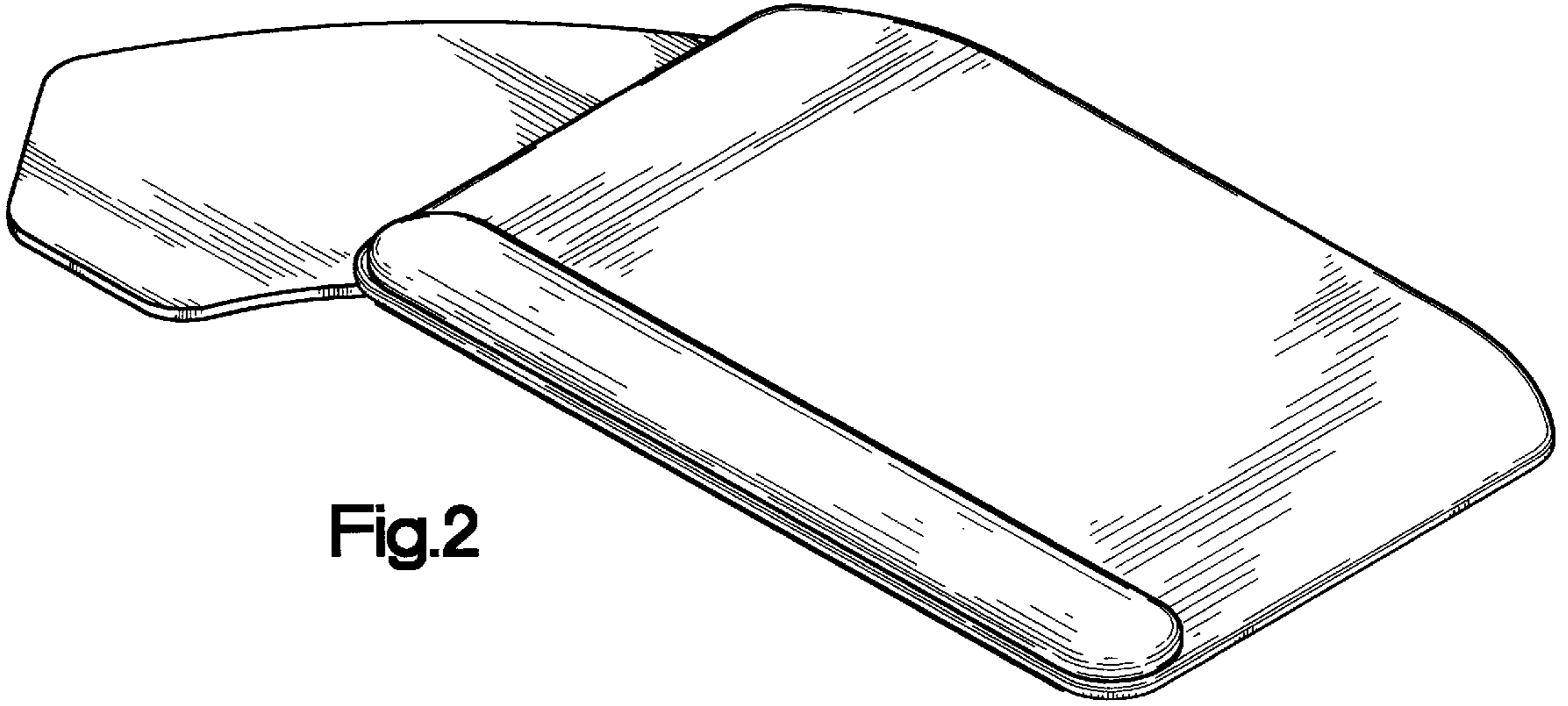


Fig.2

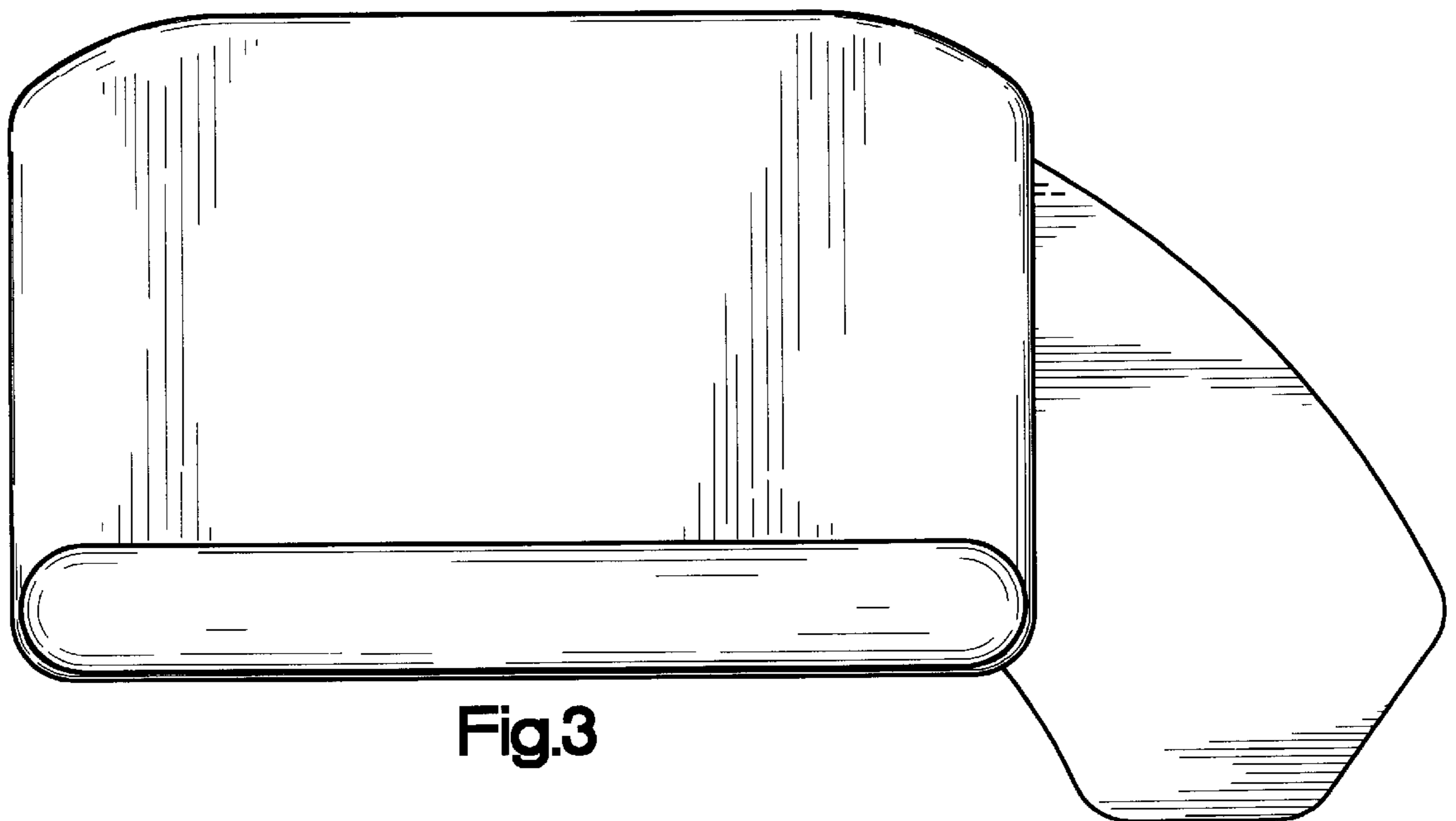


Fig.3

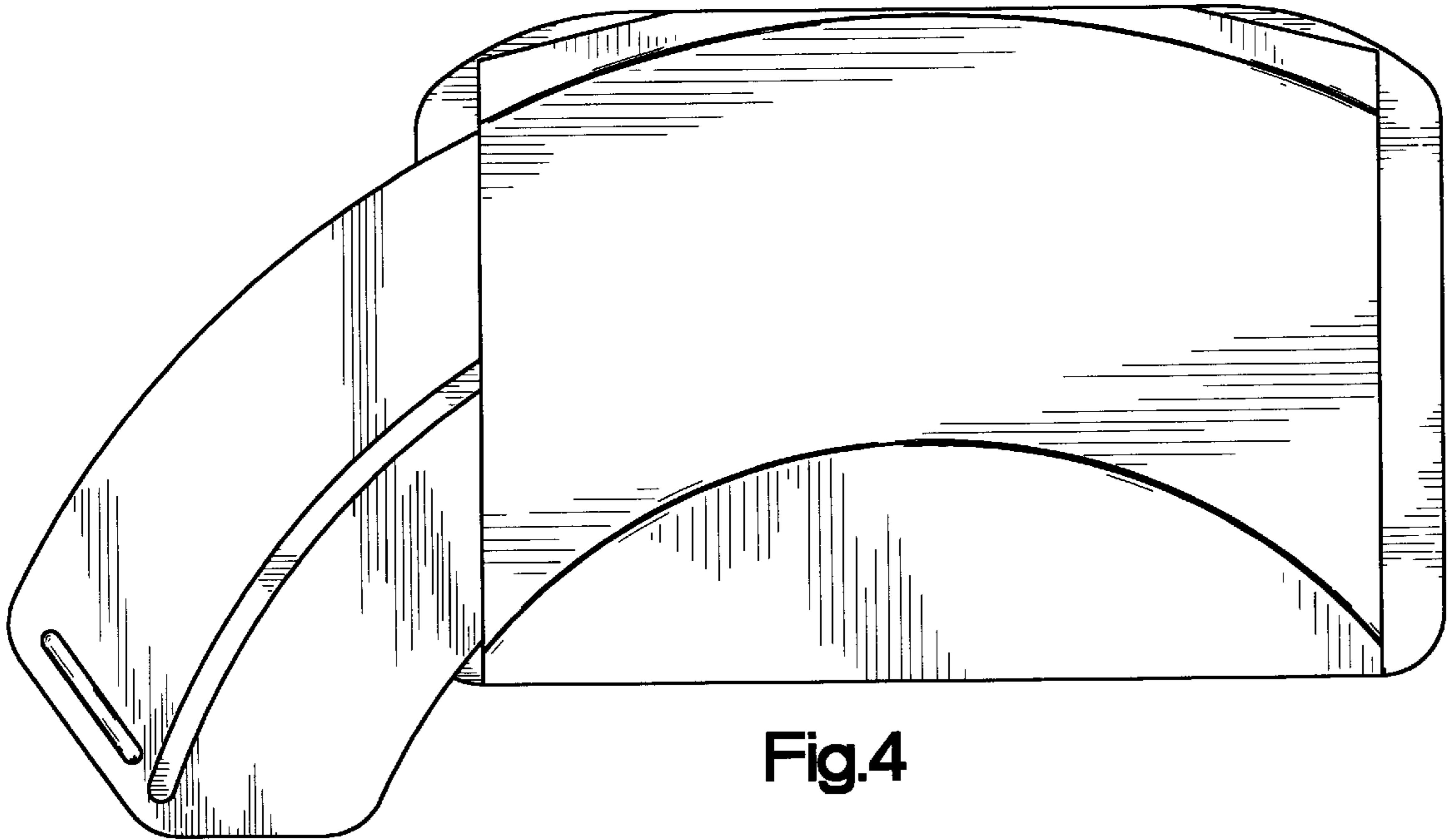


Fig.4

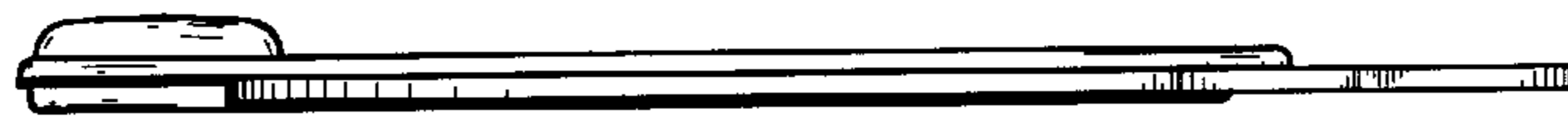


Fig.5



Fig.6

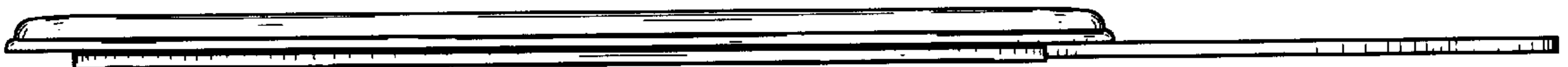


Fig.7

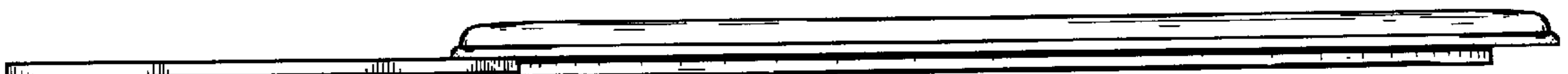


Fig.8

UNITED STATES PATENT AND TRADEMARK OFFICE
CERTIFICATE OF CORRECTION

PATENT NO. : Des.410,453

DATED : June 1, 1999

INVENTOR(S) : Derek Timm

It is certified that error appears in the above-identified patent and that said Letters Patent is hereby corrected as shown below:

The drawing sheet, consisting of Figs. 5 and 6, should be deleted to be replaced with drawing sheet , consisting of Figs. 5 and 6, as shown below :



Fig.5



Fig.6

Signed and Sealed this
Twenty-third Day of November, 1999

Attest:



Q. TODD DICKINSON