



US00D410451S

# United States Patent [19]

Konshak et al.

[11] Patent Number: **Des. 410,451**

[45] Date of Patent: **\*\* Jun. 1, 1999**

[54] **DISK DRIVE FRAME**

[75] Inventors: **Michael Vaughn Konshak**, Louisville;  
**Dale Robert Eichel**, Broomfield, both  
of Colo.

[73] Assignee: **Storage Technology Corporation**,  
Louisville, Colo.

[\*\*] Term: **14 Years**

[21] Appl. No.: **29/092,189**

[22] Filed: **Aug. 13, 1998**

[51] **LOC (6) Cl.** ..... **14-02**

[52] **U.S. Cl.** ..... **D14/114; D14/109**

[58] **Field of Search** ..... D14/100-114;  
D13/162, 184, 199; 360/63, 67, 93; 361/685,  
728, 730, 732, 736, 740; 439/296, 304,  
374, 376, 377

[56] **References Cited**

**U.S. PATENT DOCUMENTS**

D. 308,052 5/1990 Darden et al. .... D14/109

D. 399,498 10/1998 Chang ..... D14/109  
3,789,161 1/1974 Mizumoto ..... 360/63  
4,941,841 7/1990 Darden et al. .... 361/685

*Primary Examiner*—Kay H. Chin

*Attorney, Agent, or Firm*—Duft, Graziano & Forest, P.C.

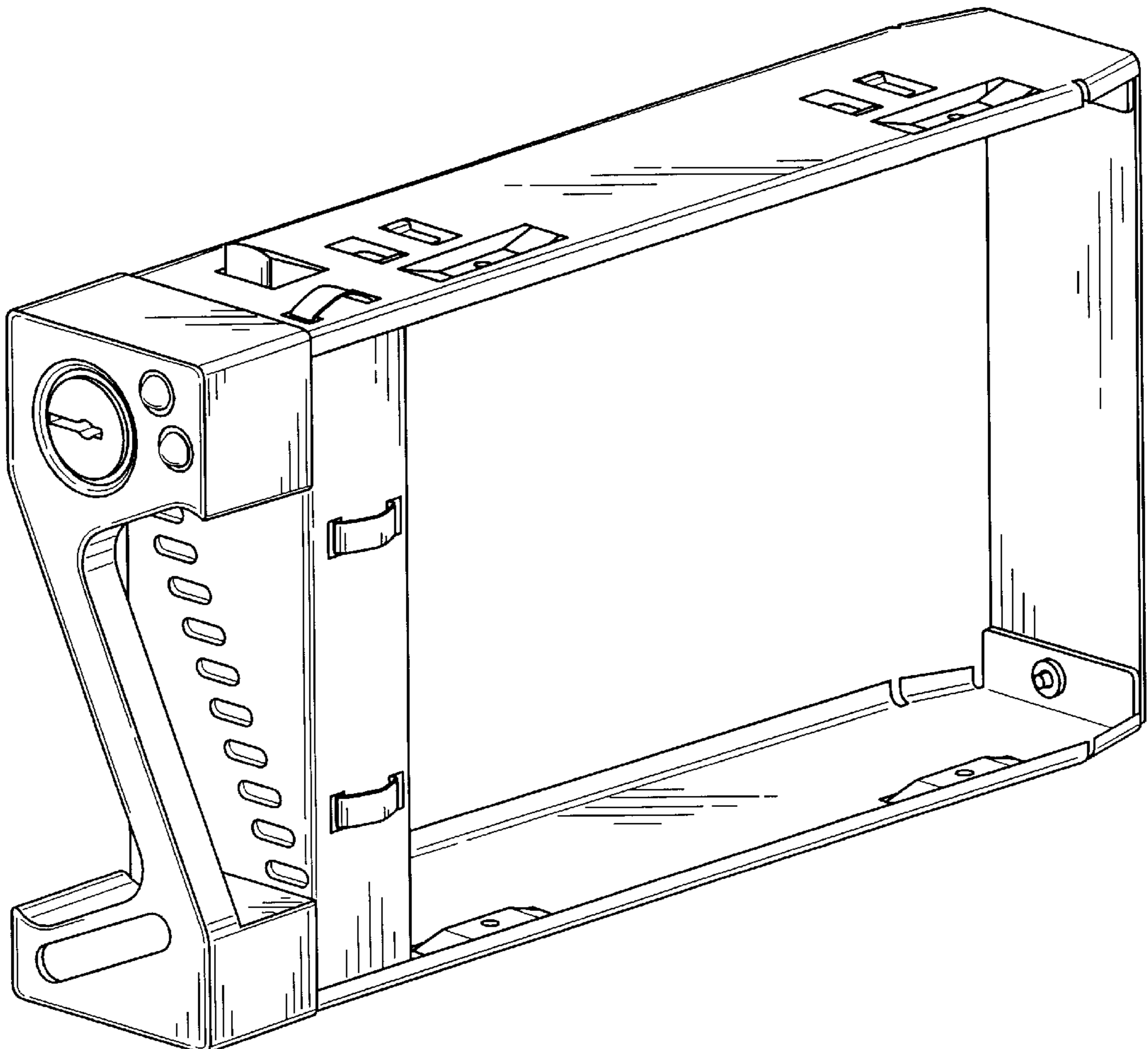
[57] **CLAIM**

The ornamental design for a disk drive frame, as shown and described.

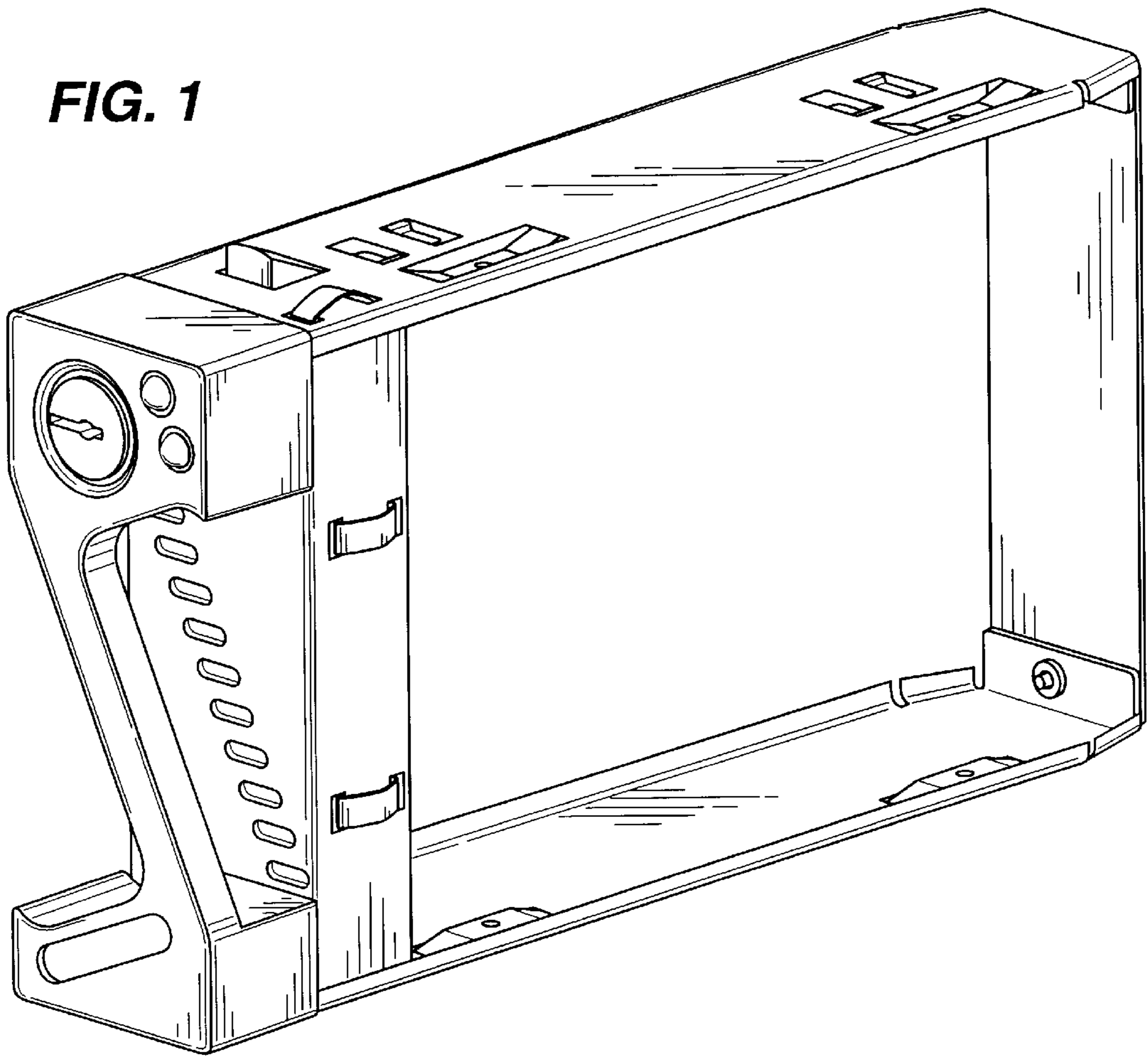
**DESCRIPTION**

FIG. 1 is a front perspective view of the disk drive frame; FIG. 2 is a front plan view of FIG. 1 of the disk drive frame; FIG. 3 is a rear plan view of FIG. 1 of the disk drive frame; FIG. 4 is a right side elevation view of FIG. 1 of the disk drive frame; FIG. 5 is a left side elevation view of FIG. 1 of the disk drive frame; FIG. 6 is a top plan view of FIG. 1 of the disk drive frame; and, FIG. 7 is a bottom plan view of FIG. 1 of the disk drive frame.

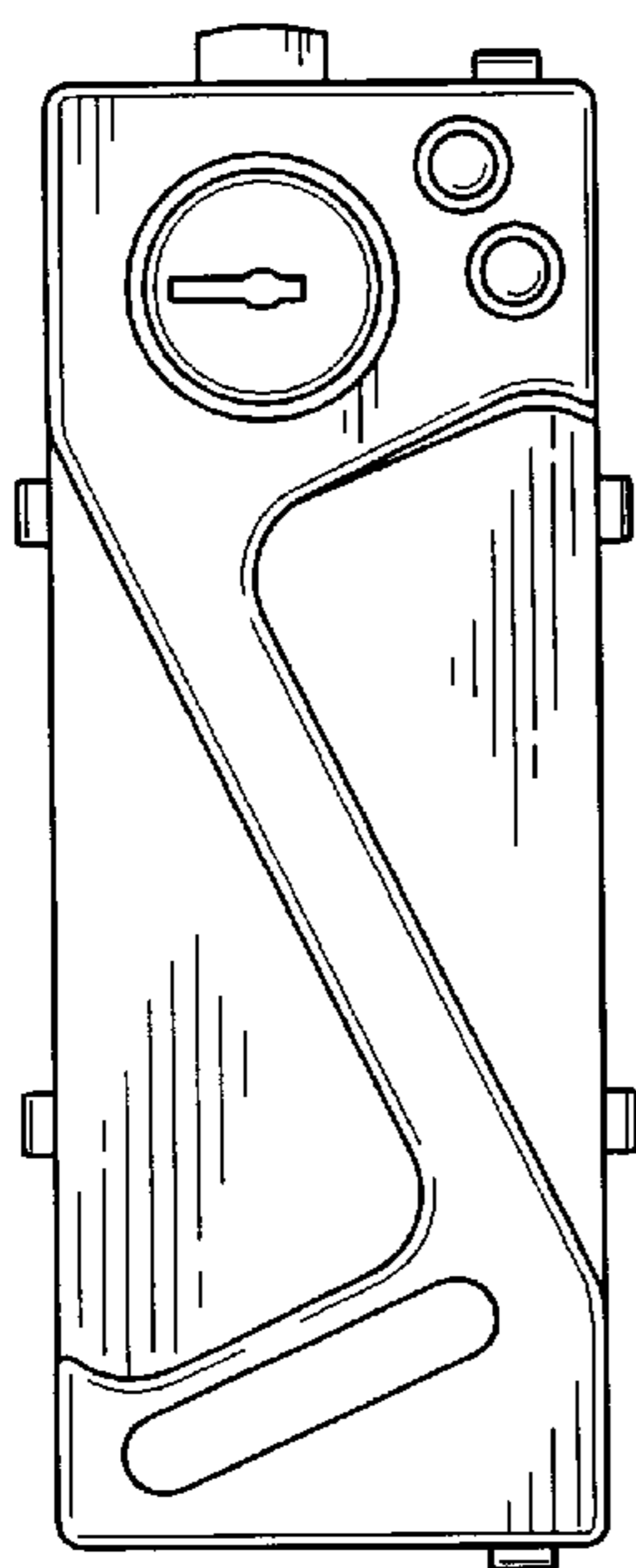
**1 Claim, 3 Drawing Sheets**



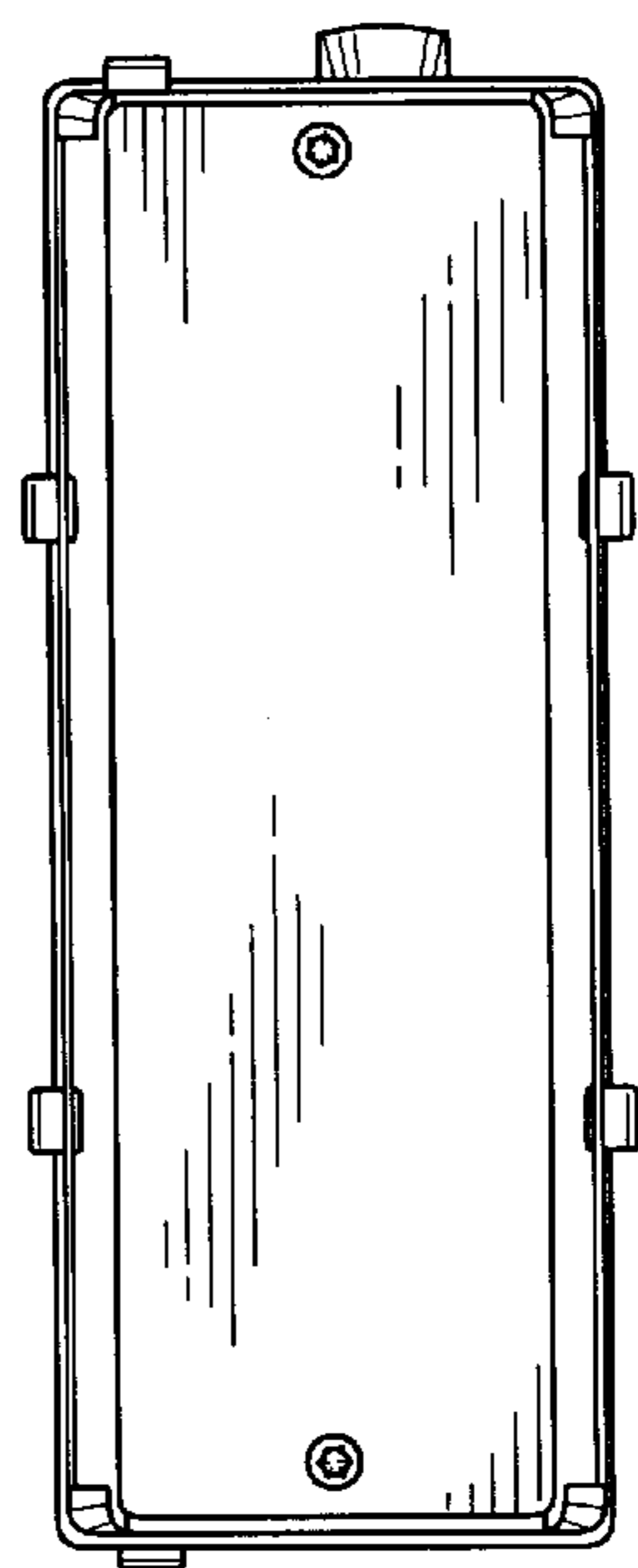
**FIG. 1**

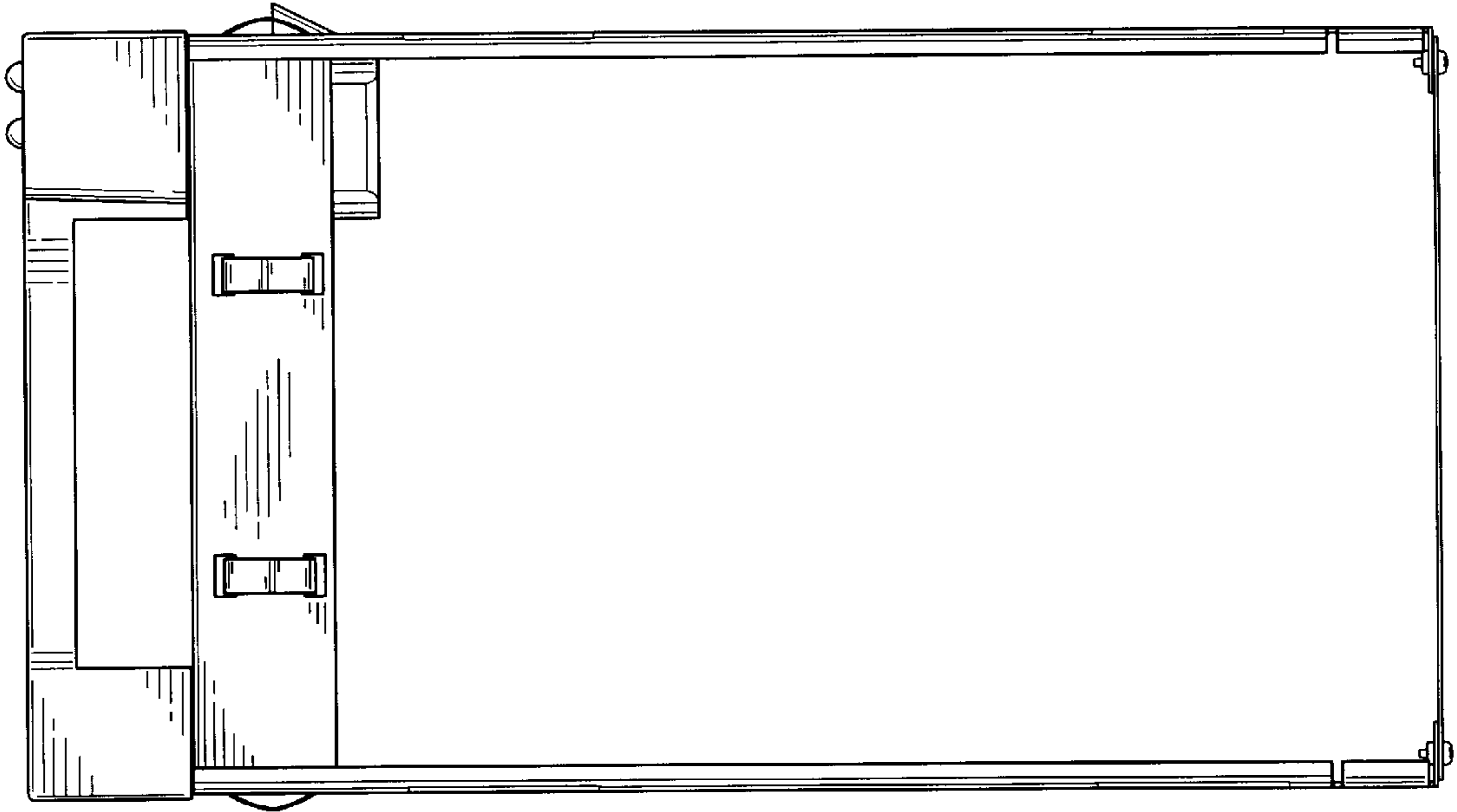


**FIG. 2**

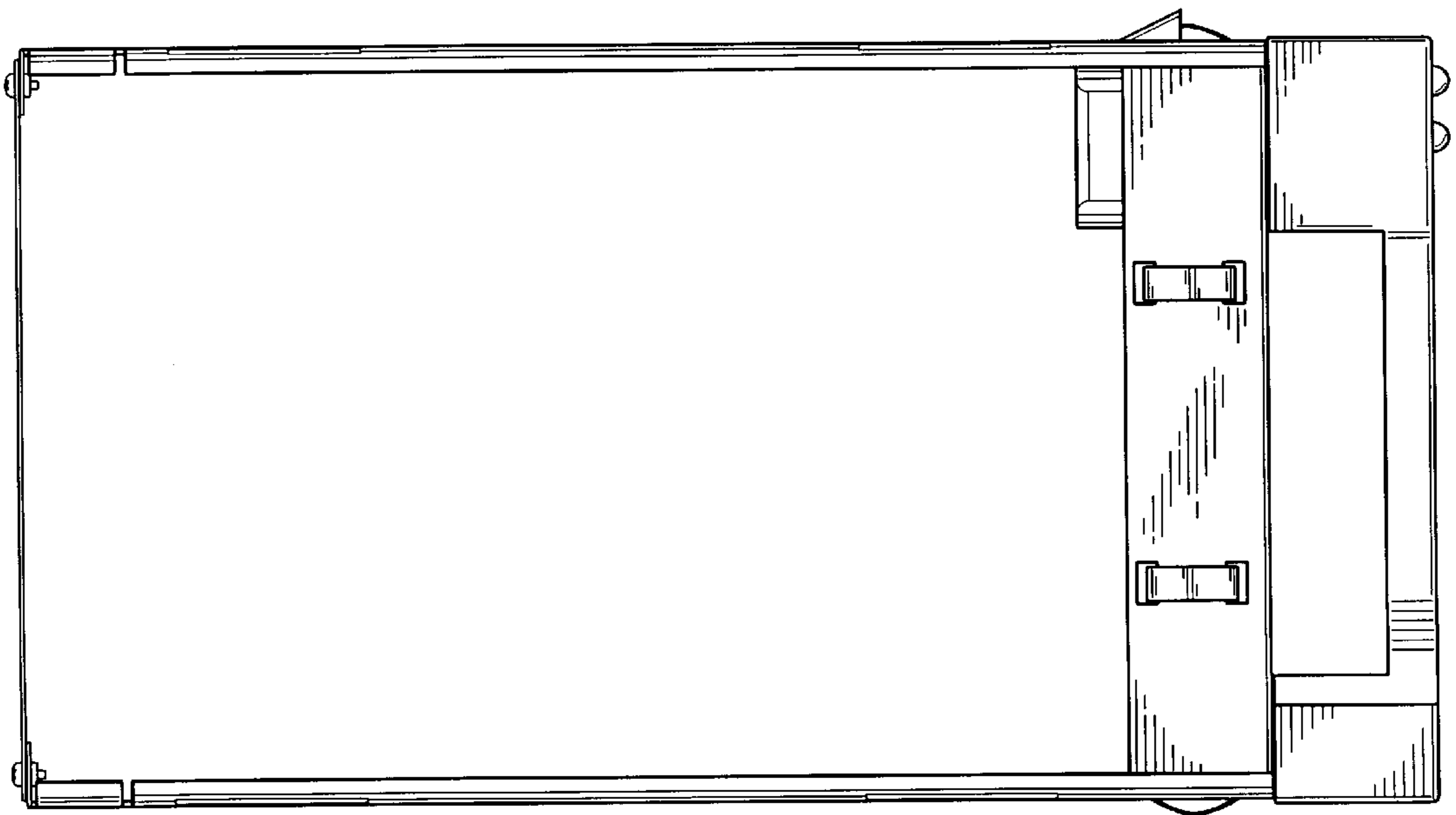


**FIG. 3**



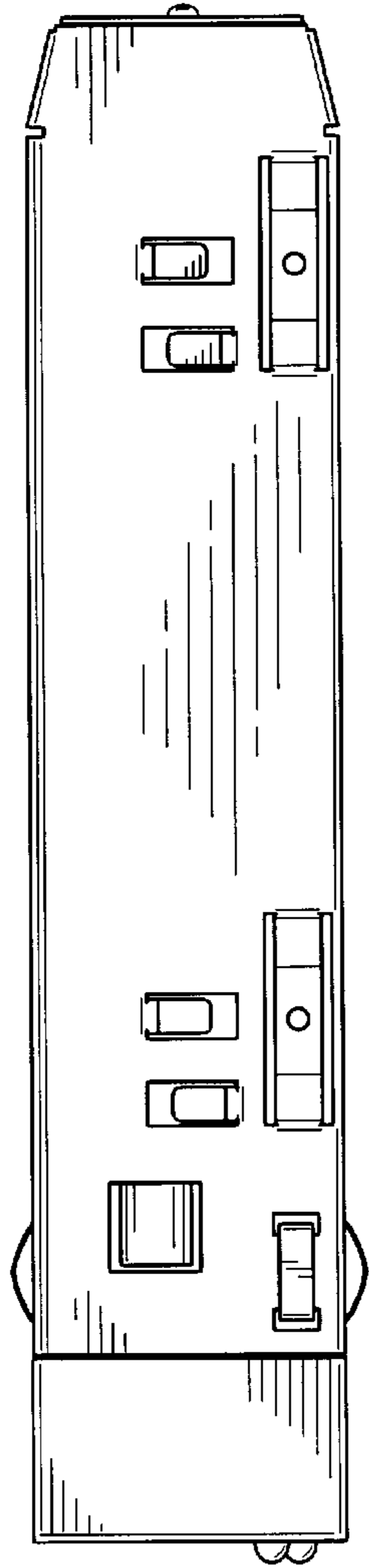


**FIG. 4**



**FIG. 5**

**FIG. 6**



**FIG. 7**

