



US00D410449S

United States Patent [19] Chen

[11] **Patent Number: Des. 410,449**
[45] **Date of Patent: ** Jun. 1, 1999**

[54] **MONITOR**

[75] Inventor: **Sean Chen**, Taipei, Taiwan

[73] Assignee: **GVC Corporation**, Taipei, Taiwan

[**] Term: **14 Years**

[21] Appl. No.: **29/088,914**

[22] Filed: **Jun. 3, 1998**

[51] **LOC (6) Cl. 14-02**

[52] **U.S. Cl. D14/113; D14/126**

[58] **Field of Search** D14/100, 101,
D14/106, 113, 124-129; 341/12; 345/104,
133, 156, 168, 173, 87; 348/180, 184, 325,
739; 248/918-924

[56] **References Cited**

U.S. PATENT DOCUMENTS

D. 364,855	12/1995	Onoda	D14/113
D. 375,489	11/1996	Esslinger	D14/113
D. 386,159	11/1997	Wakui et al.	D14/113
D. 391,935	3/1998	Sakaguchi et al.	D14/113

Primary Examiner—Freda Nunn
Attorney, Agent, or Firm—Jacobson, Price, Holman & Stern, PLLC

[57] **CLAIM**

The ornamental design for a monitor, as shown and described.

DESCRIPTION

FIG. 1 is a perspective view of a monitor showing my new design;

FIG. 2 is a front elevational view thereof;

FIG. 3 is a rear elevational view thereof;

FIG. 4 is a left side elevational view thereof;

FIG. 5 is a right side elevational view thereof;

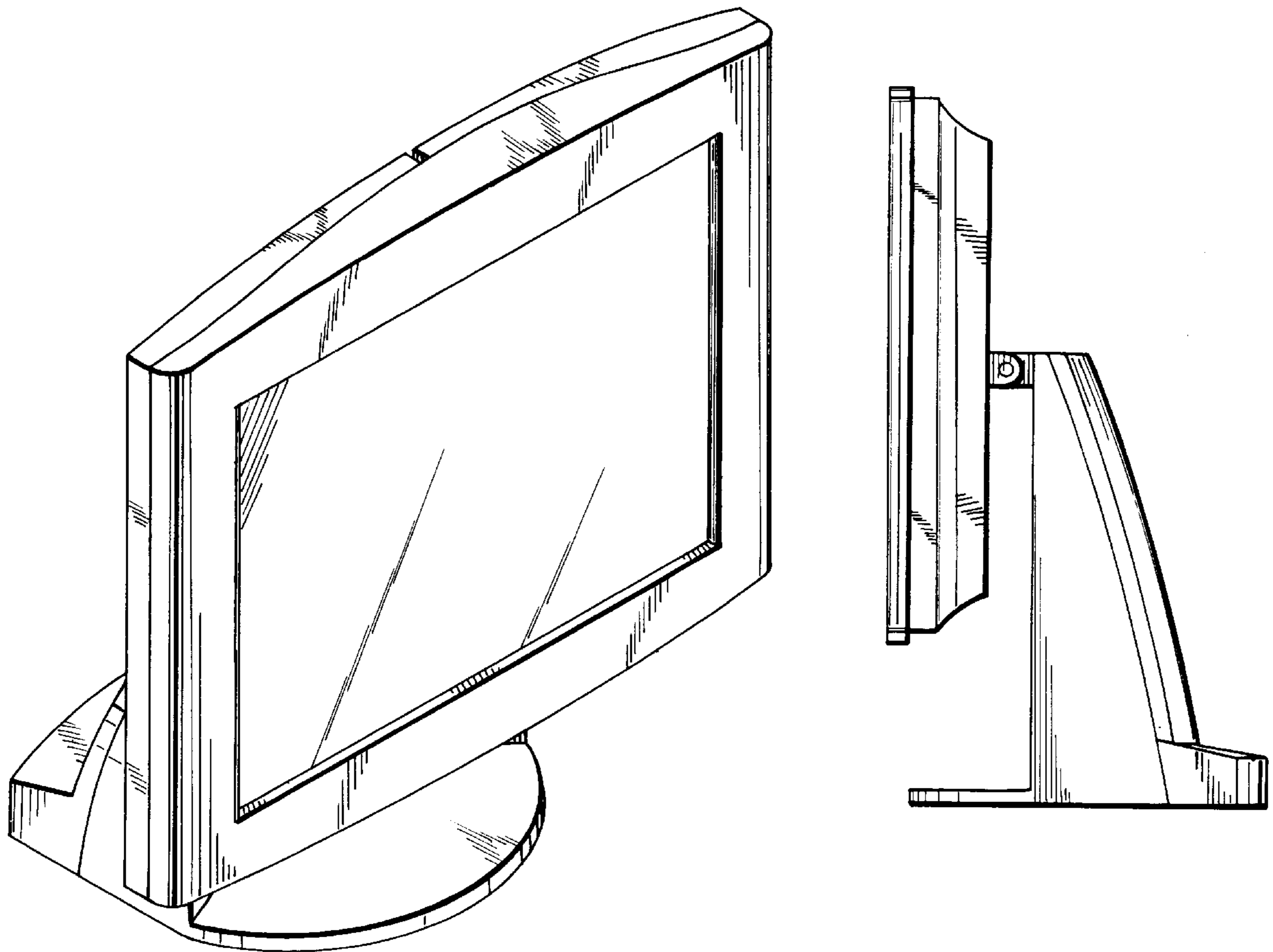
FIG. 6 is a top plan view thereof;

FIG. 7 is a bottom plan view thereof; and,

FIG. 8 is a perspective view with speakers shown in broken lines.

The broken lines are shown in FIG. 8 for illustrative purposes only and form no part of the claimed design.

1 Claim, 6 Drawing Sheets



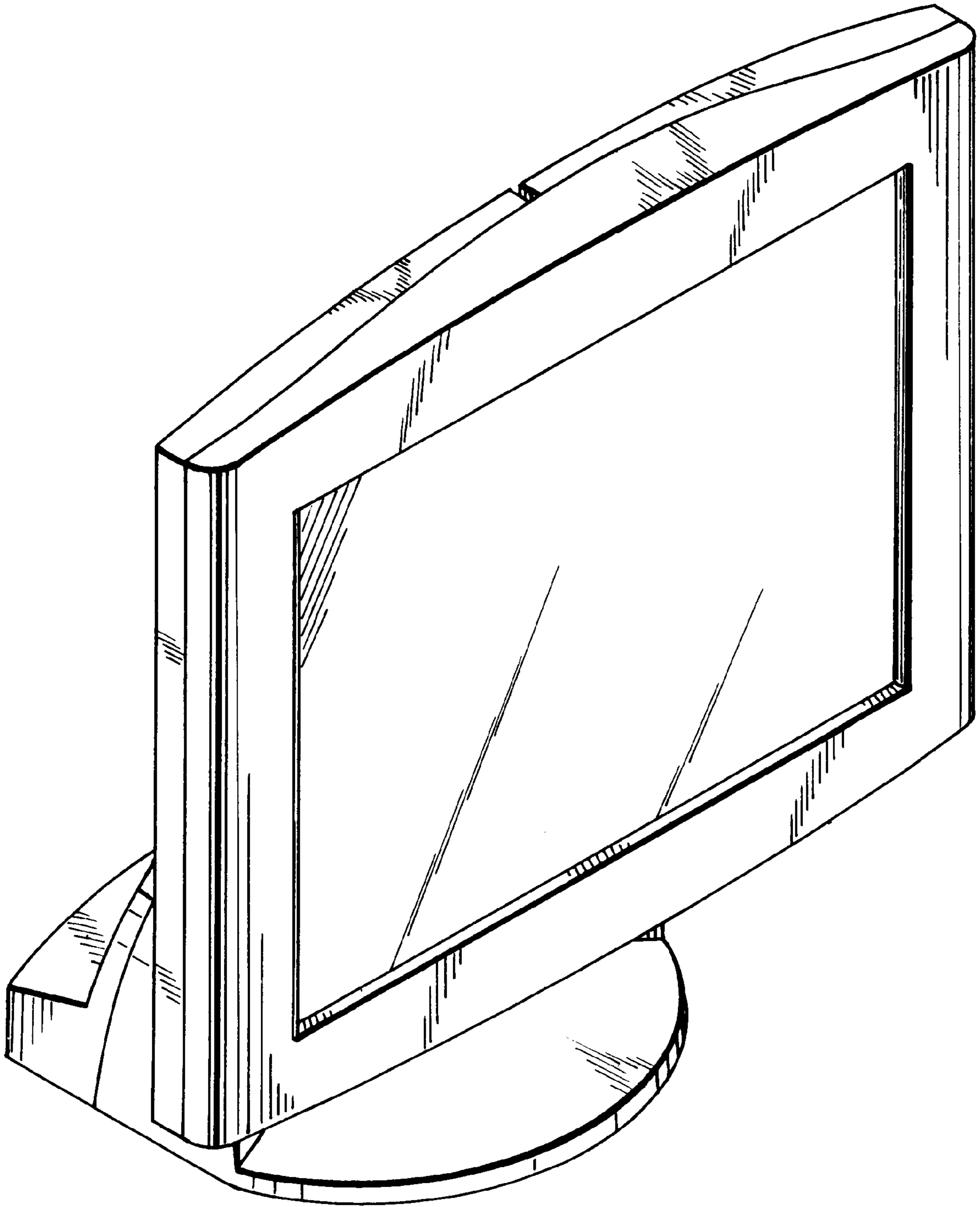


FIG. 1

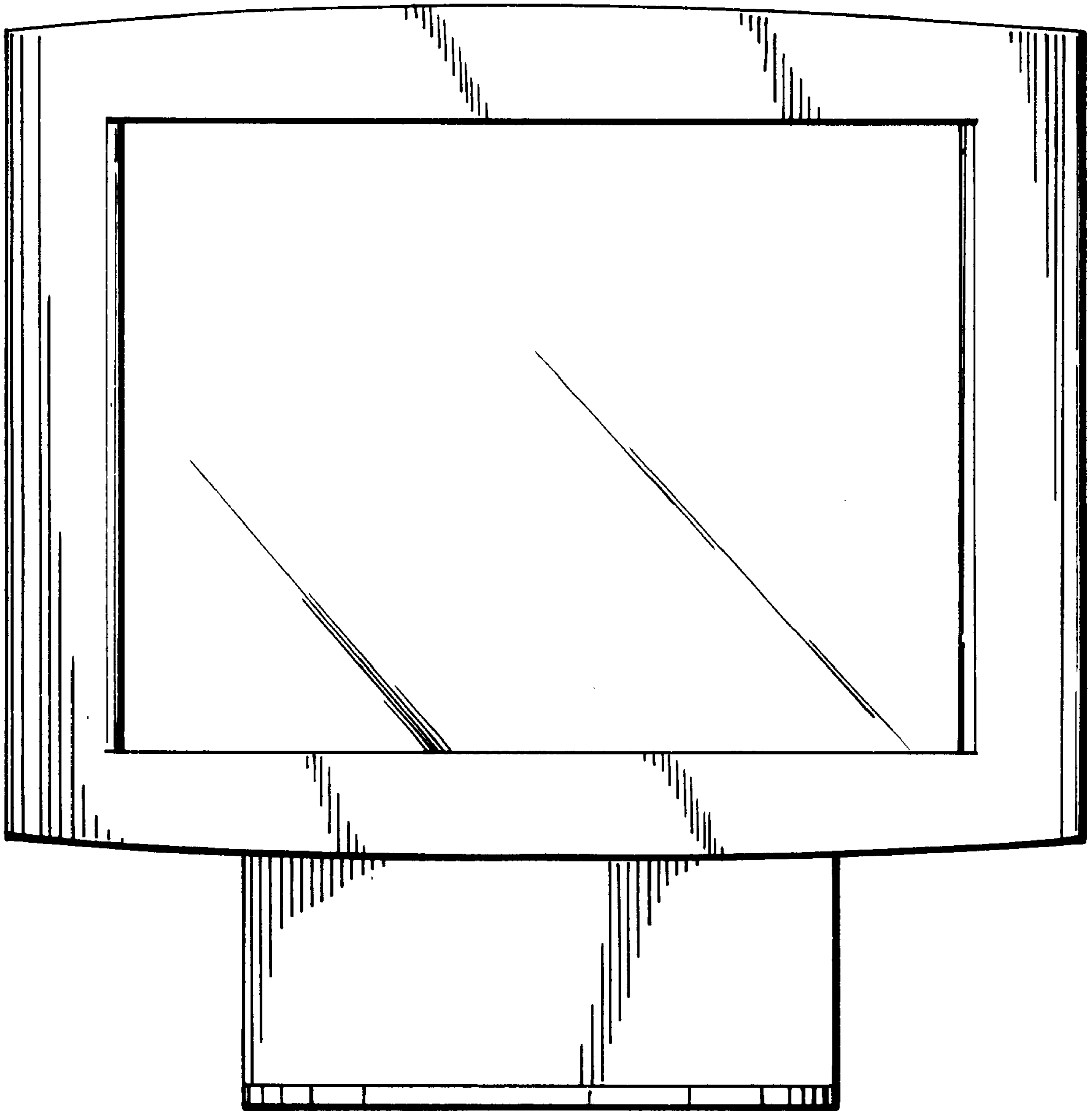


FIG. 2

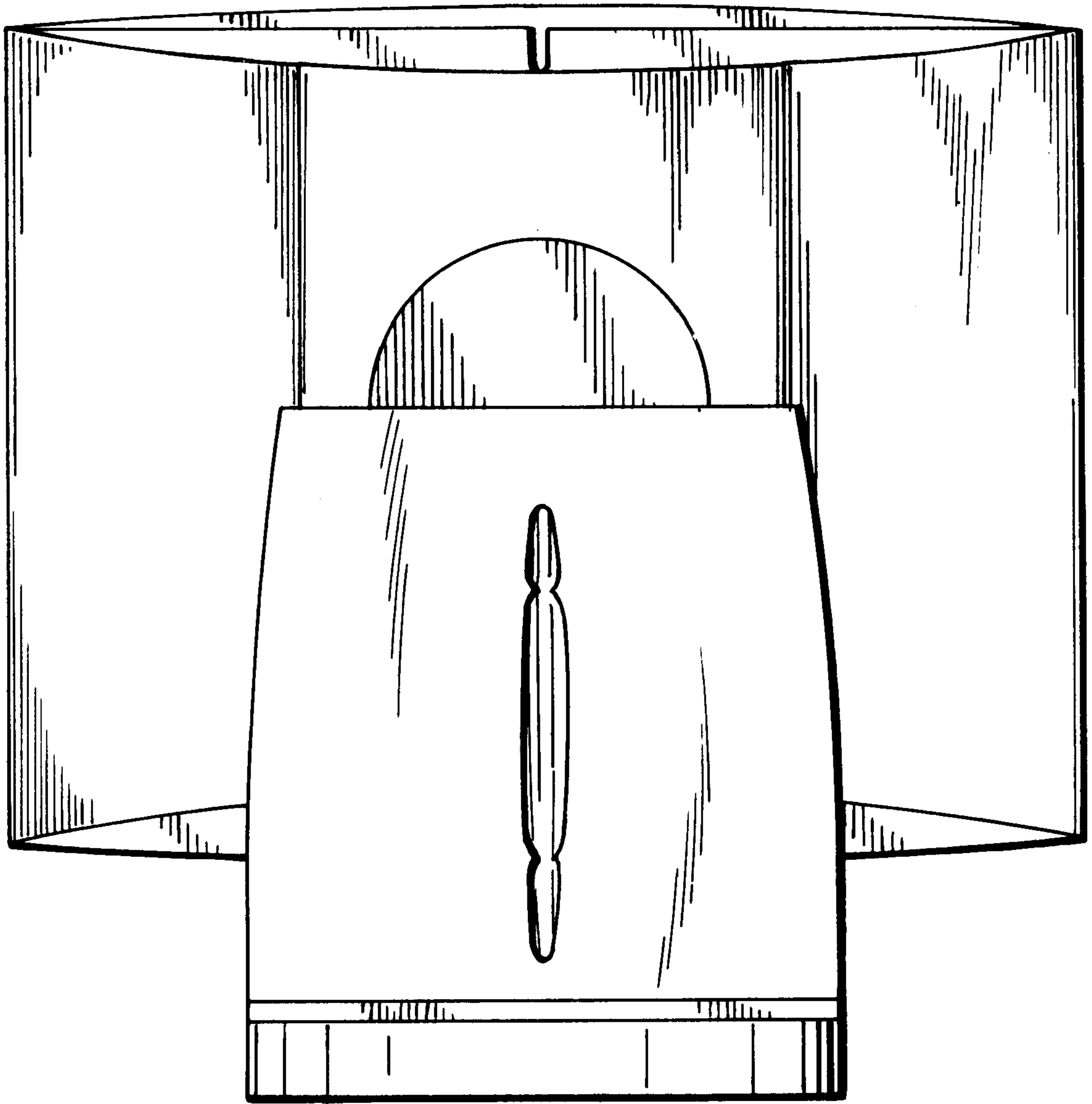


FIG 3

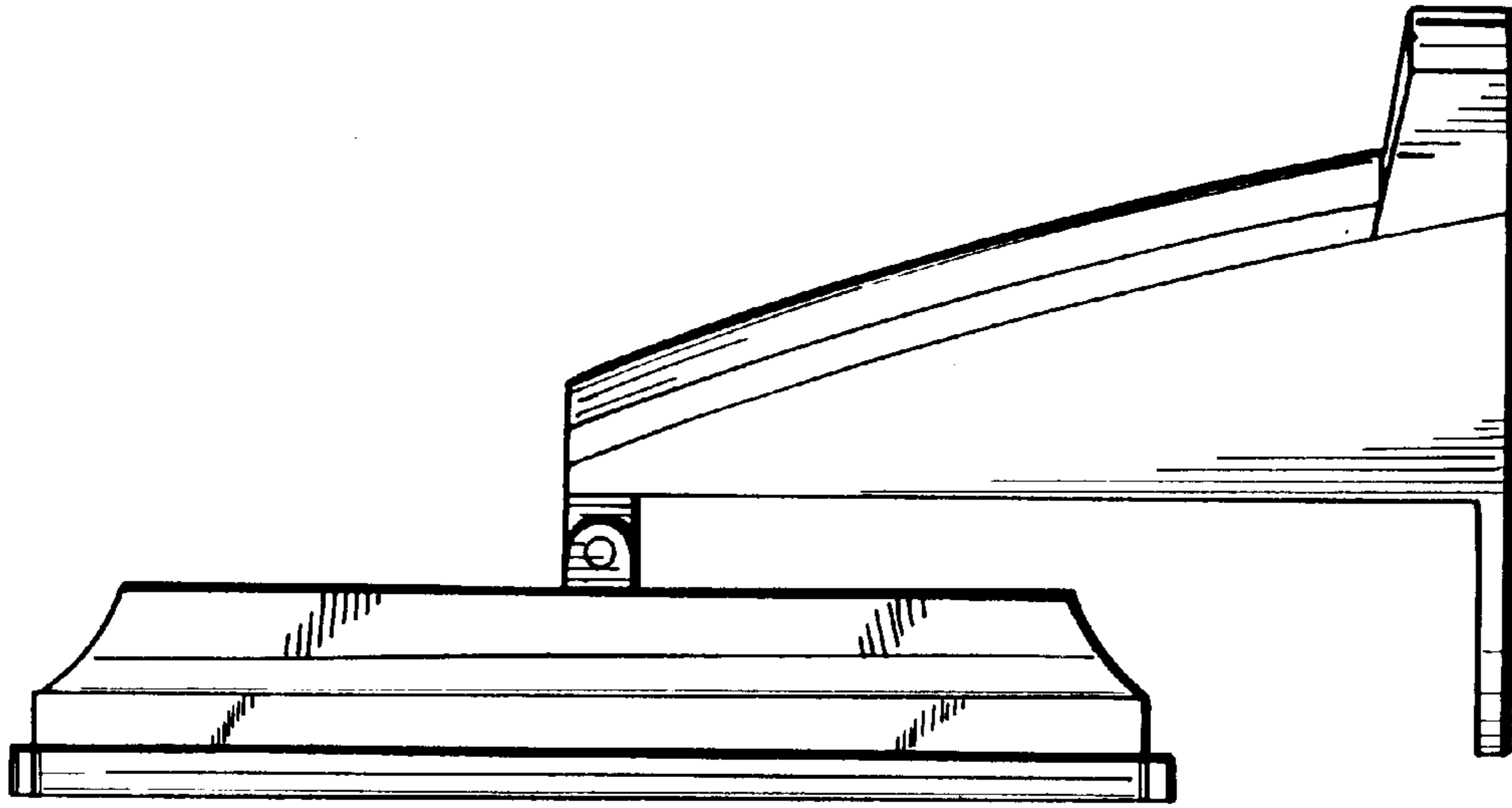


FIG. 5

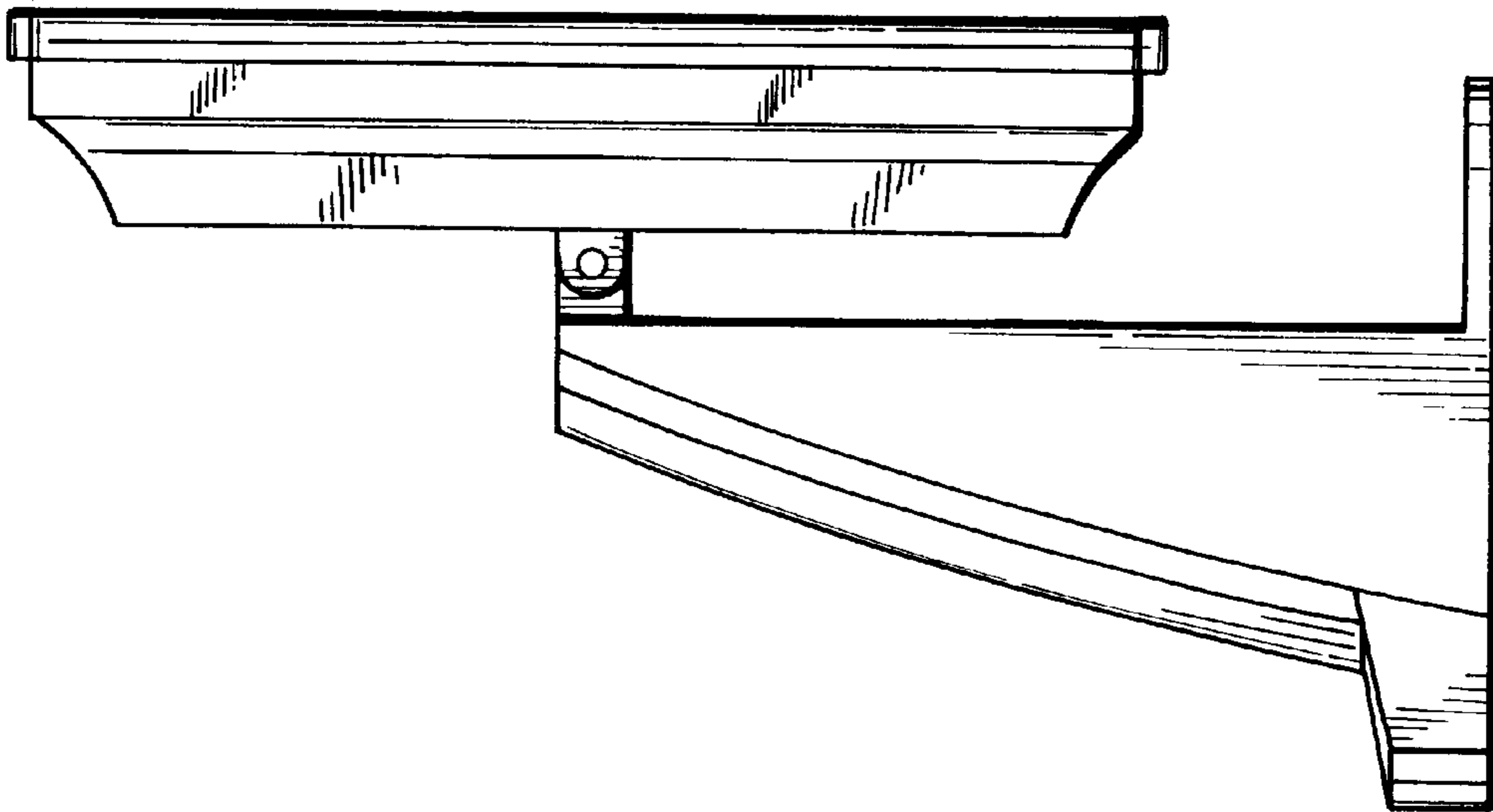


FIG. 4

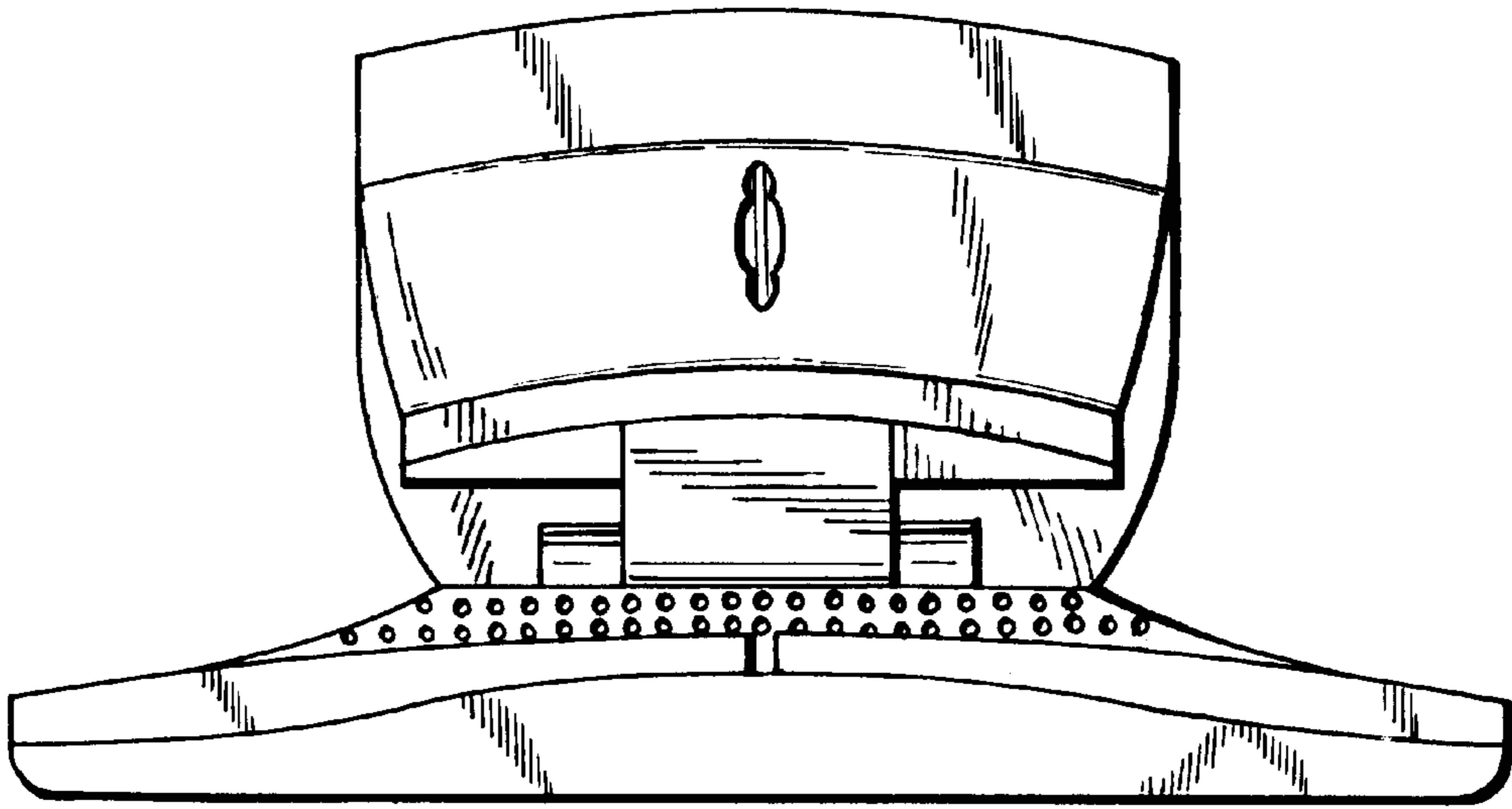


FIG. 6

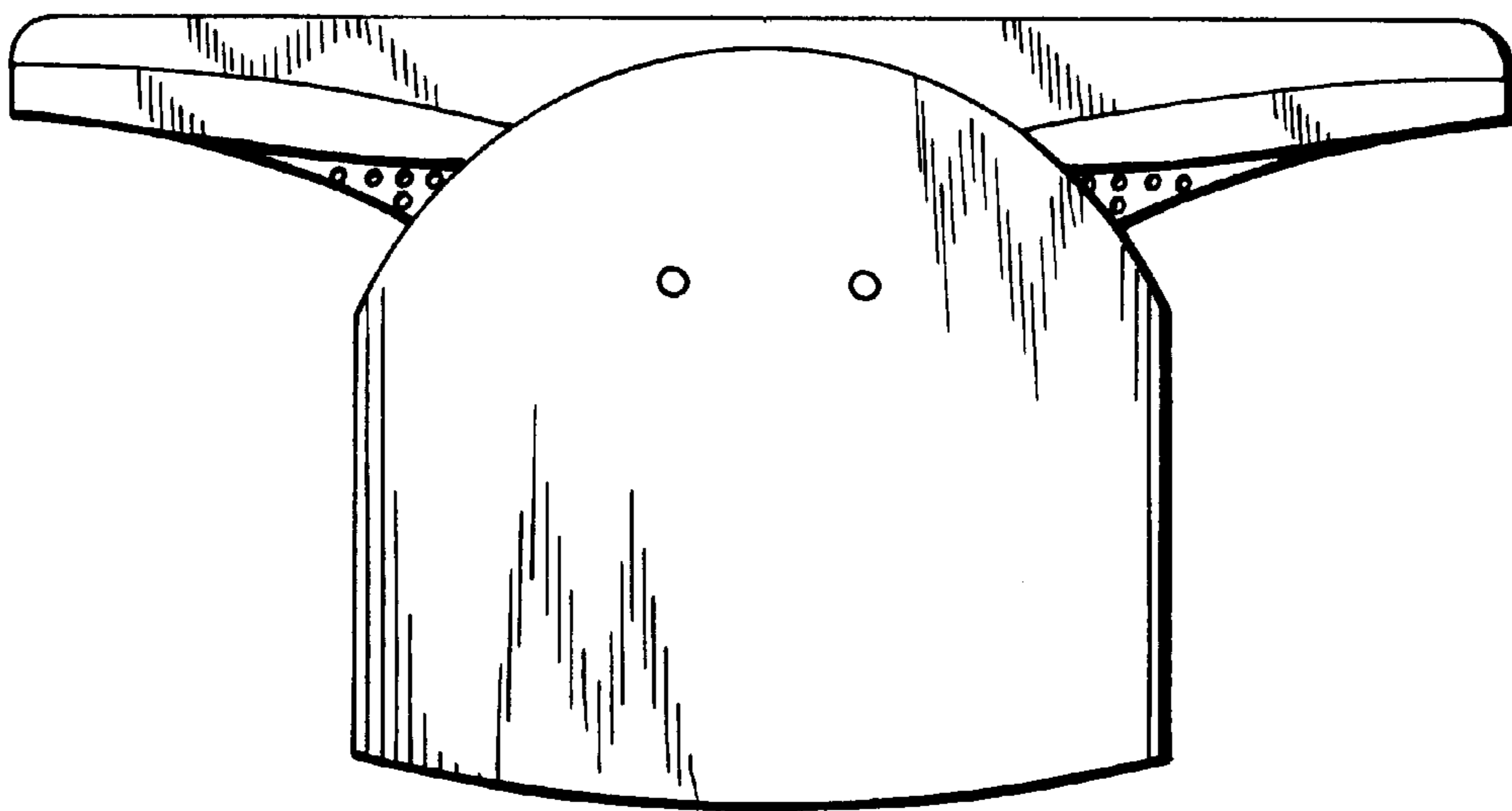


FIG. 7



FIG. 8