



US00D410446S

United States Patent [19]

Konshak et al.

[11] Patent Number: **Des. 410,446**

[45] Date of Patent: **** Jun. 1, 1999**

[54] **DISK DRIVE MODULE FOR REDUNDANT ARRAYS**

D. 377,482 1/1997 Geck D14/109

[75] Inventors: **Michael Vaughn Konshak**, Louisville; **Dale Robert Eichel**, Broomfield; **Mark Alan Grabbe**, Littleton, all of Colo.

Primary Examiner—Freda Nunn
Attorney, Agent, or Firm—Duft, Graziano & Forest, P.C.

[73] Assignee: **Storage Technology Corporation**, Louisville, Colo.

[57] **CLAIM**
The ornamental design for a disk drive module for redundant arrays, as shown and described.

[**] Term: **14 Years**

DESCRIPTION

[21] Appl. No.: **29/091,593**

FIG. 1 is a front perspective view of a disk drive module for redundant arrays showing our new design;

[22] Filed: **Aug. 3, 1998**

FIG. 2 is a front elevation view of FIG. 1;

[51] **LOC (6) Cl.** **14-02**

[52] **U.S. Cl.** **D14/109; D14/107**

FIG. 3 is a left side elevation view of FIG. 1;

[58] **Field of Search** D14/100, 102, D14/107-109; D13/162, 184, 199; D6/432, 436, 445, 448; 312/208.1; 360/99.12; 361/680-686; 369/34, 36

FIG. 4 is a right side elevation view of FIG. 1;

FIG. 5 is a rear elevation view of FIG. 1;

FIG. 6 is a top plan view of FIG. 1; and,

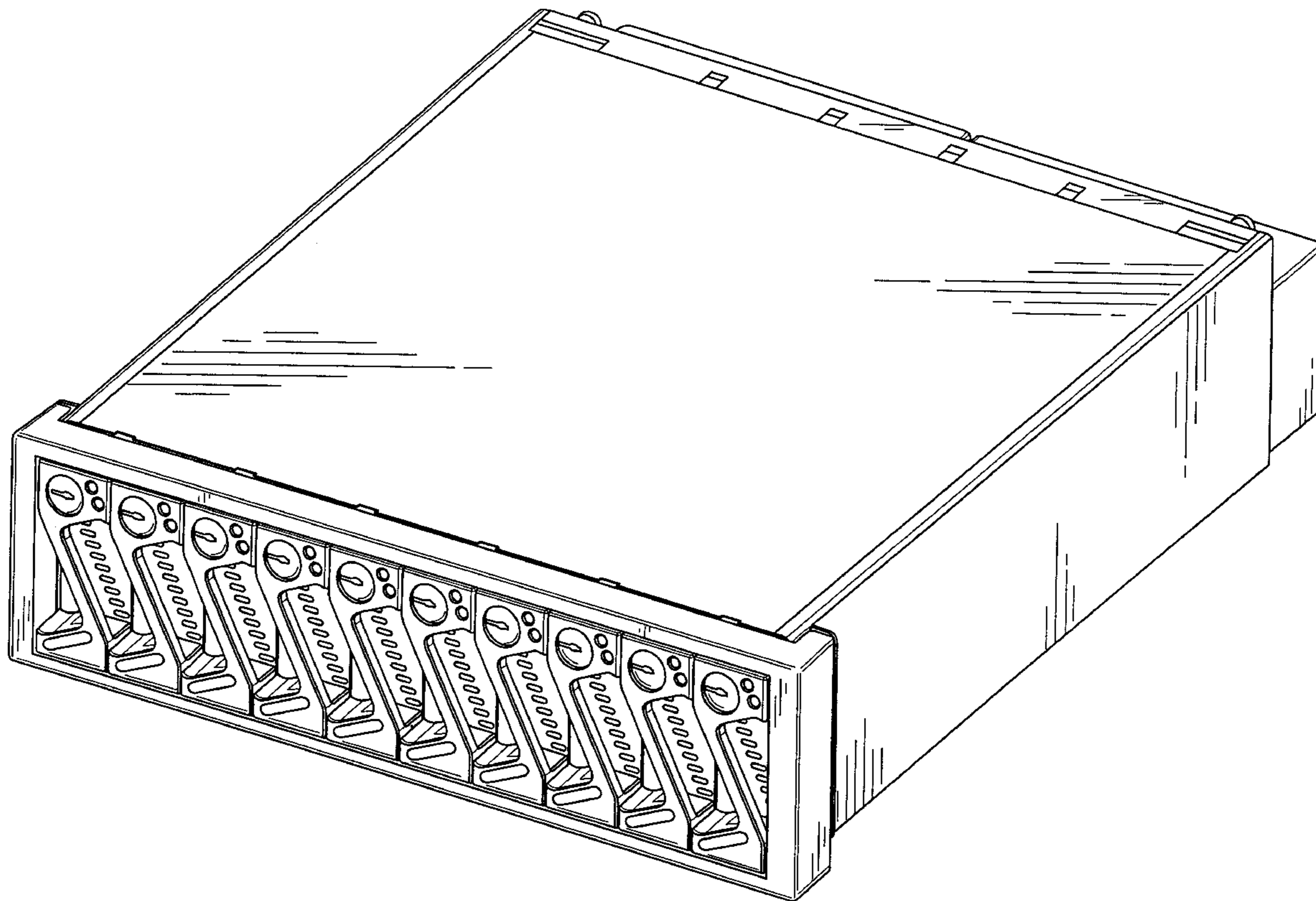
FIG. 7 is a bottom plan view of FIG. 1.

[56] References Cited

U.S. PATENT DOCUMENTS

D. 316,546 4/1991 Pardinielli et al. D14/107

1 Claim, 6 Drawing Sheets



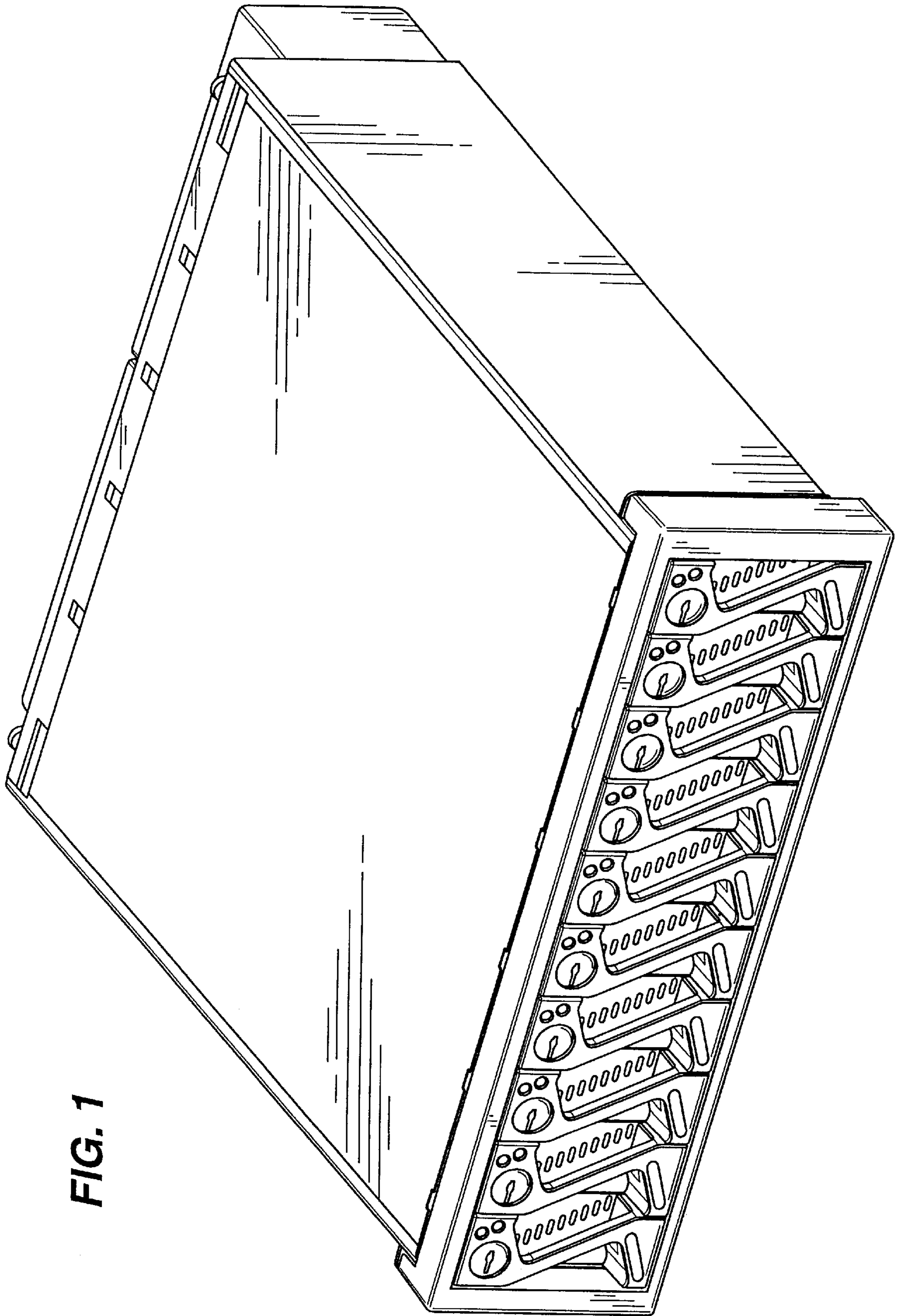


FIG. 1

FIG. 2

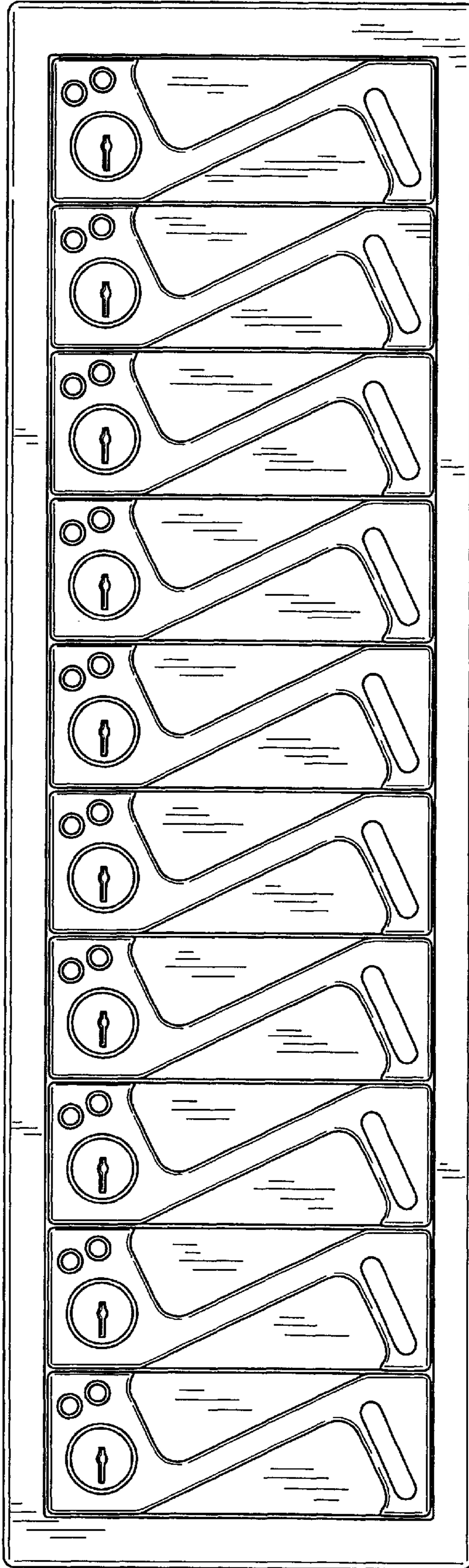


FIG. 3

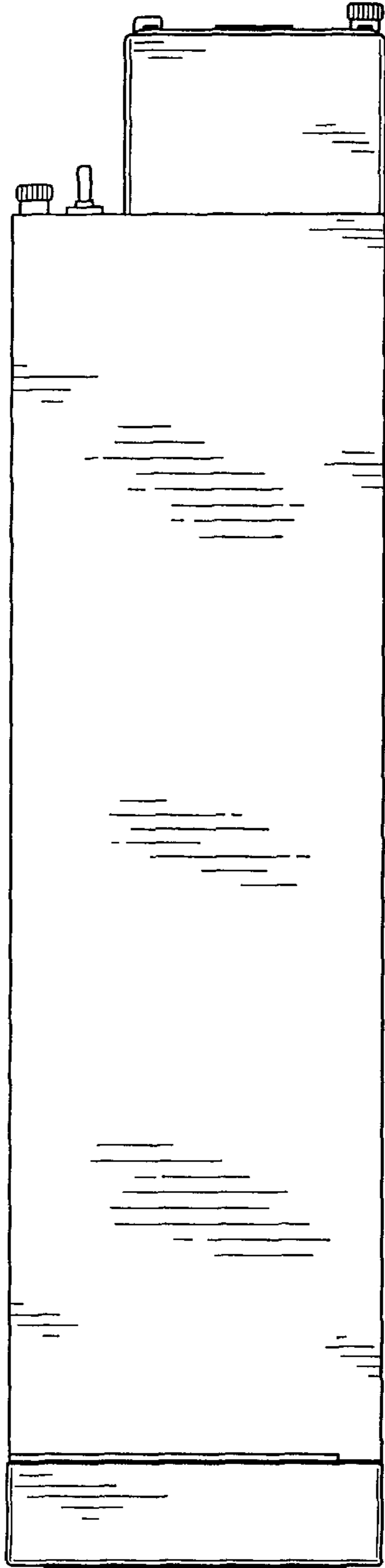


FIG. 4

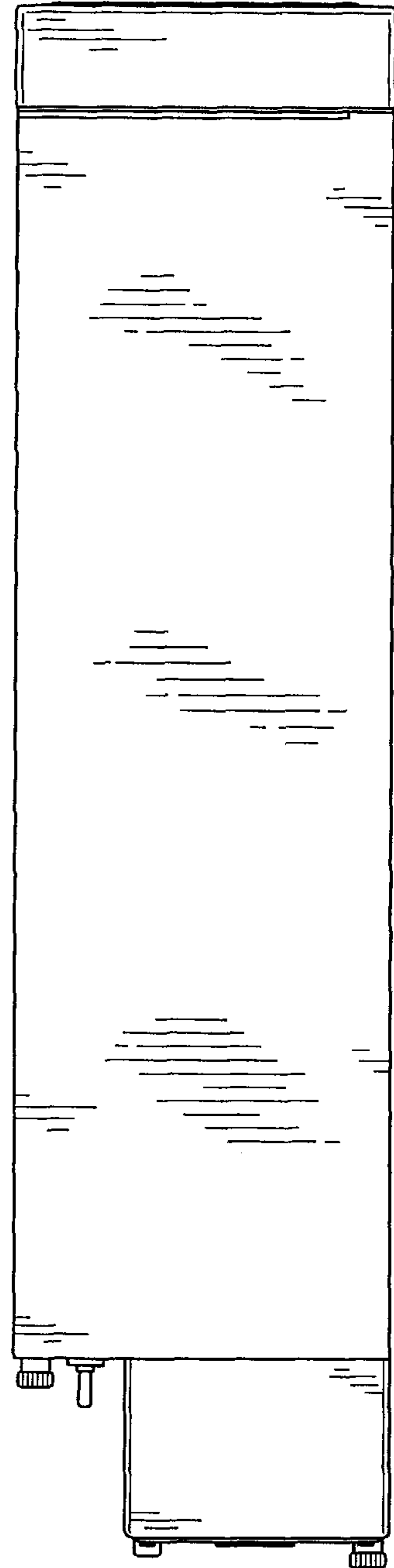


FIG. 5

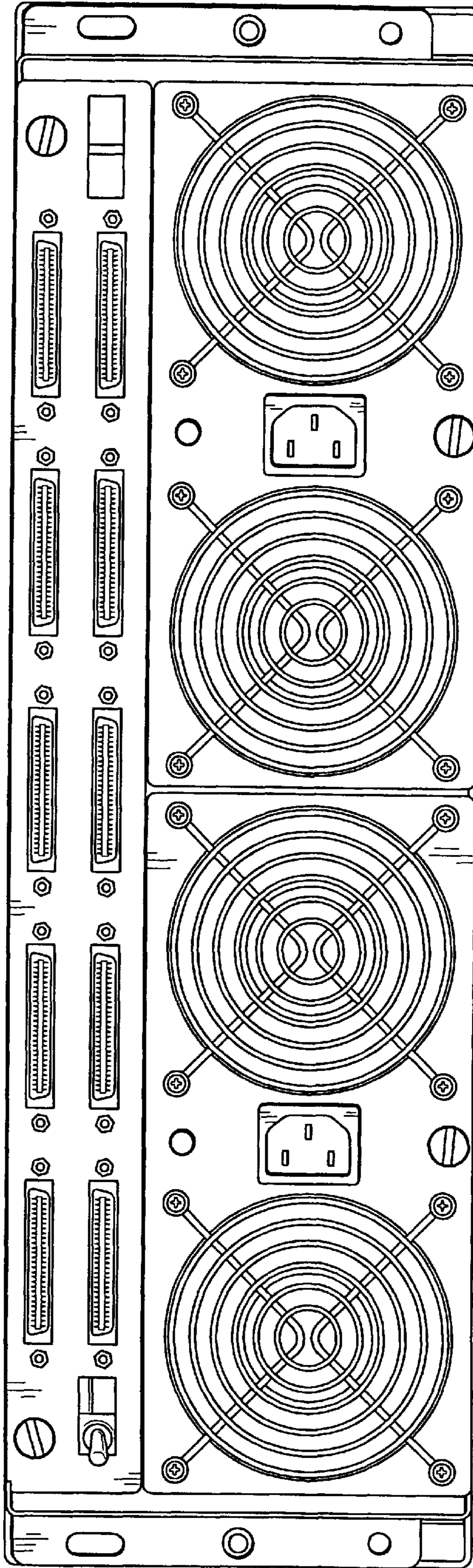


FIG. 6

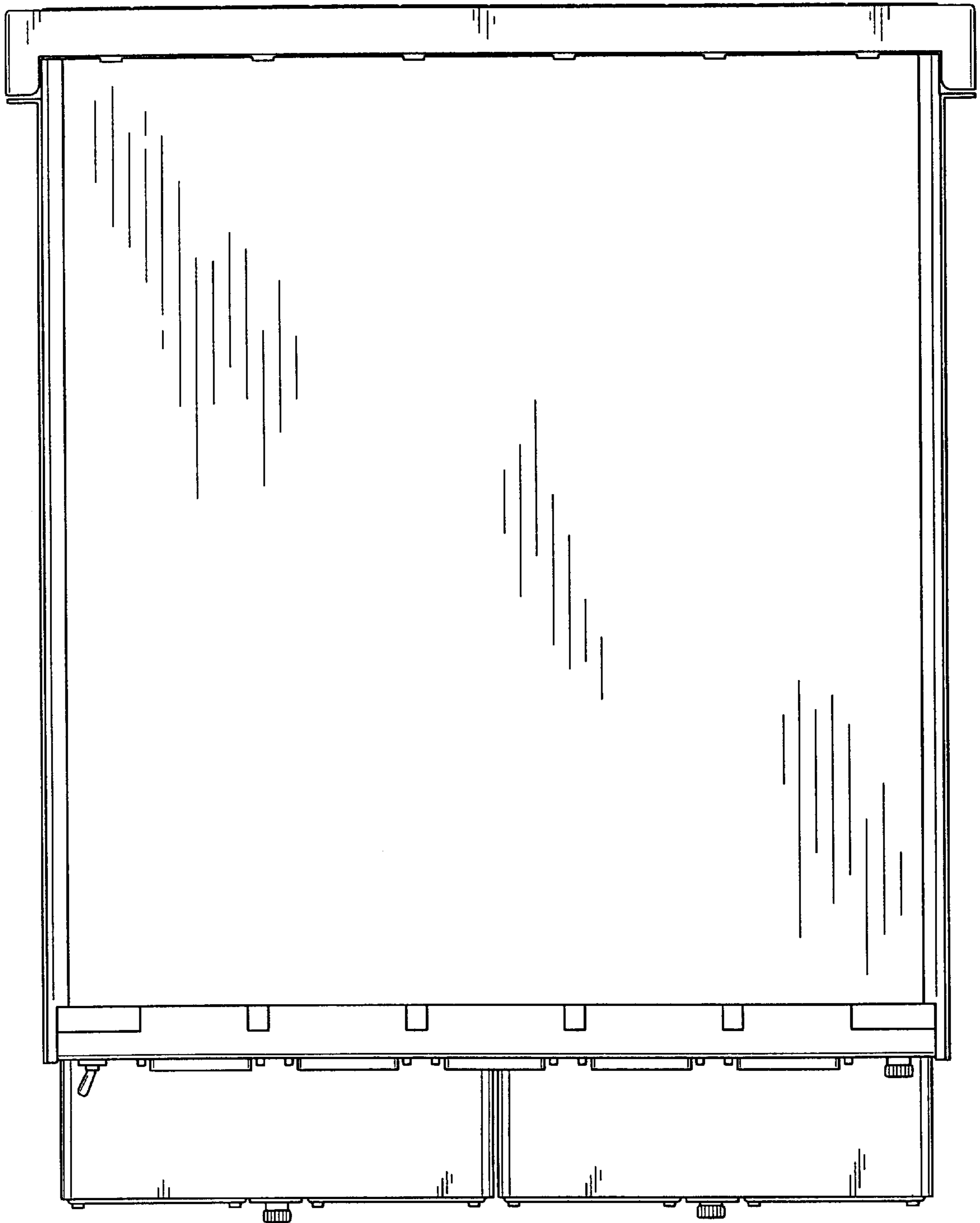


FIG. 7

