



US00D410444S

United States Patent [19]
Khovaylo et al.

[11] **Patent Number: Des. 410,444**
[45] **Date of Patent: ** Jun. 1, 1999**

[54] **SCANNER COVER**

D. 340,233 10/1993 Takahashi D14/107

[75] Inventors: **Modest Khovaylo; James C. Dow,**
both of Fort Collins, Colo.

Primary Examiner—Freda Nunn

[73] Assignee: **Hewlett-Packard Company,** Palo Alto,
Calif.

[57] **CLAIM**

[**] Term: **14 Years**

The ornamental design for a scanner cover, as shown and described.

[21] Appl. No.: **29/094,295**

DESCRIPTION

[22] Filed: **Sep. 29, 1998**

FIG. 1 is an isometric view of a scanner cover showing our new design;

Related U.S. Application Data

FIG. 2 is a top plan view thereof;

[62] Division of application No. 29/075,936, Aug. 28, 1997.

FIG. 3 is a bottom plan view thereof;

[51] **LOC (6) Cl.** **14-02**

FIG. 4 is a front elevational view thereof;

[52] **U.S. Cl.** **D14/107**

FIG. 5 is a rear elevational view thereof;

[58] **Field of Search** D14/100, 105,
D14/107, 118, 114; D18/36, 37, 39; D16/208,
214, 223, 232, 202; 250/556; 355/64, 65,
75, 81; 235/454, 470, 476

FIG. 6 is a left side elevational view thereof; and,

FIG. 7 is a right side elevational view thereof.

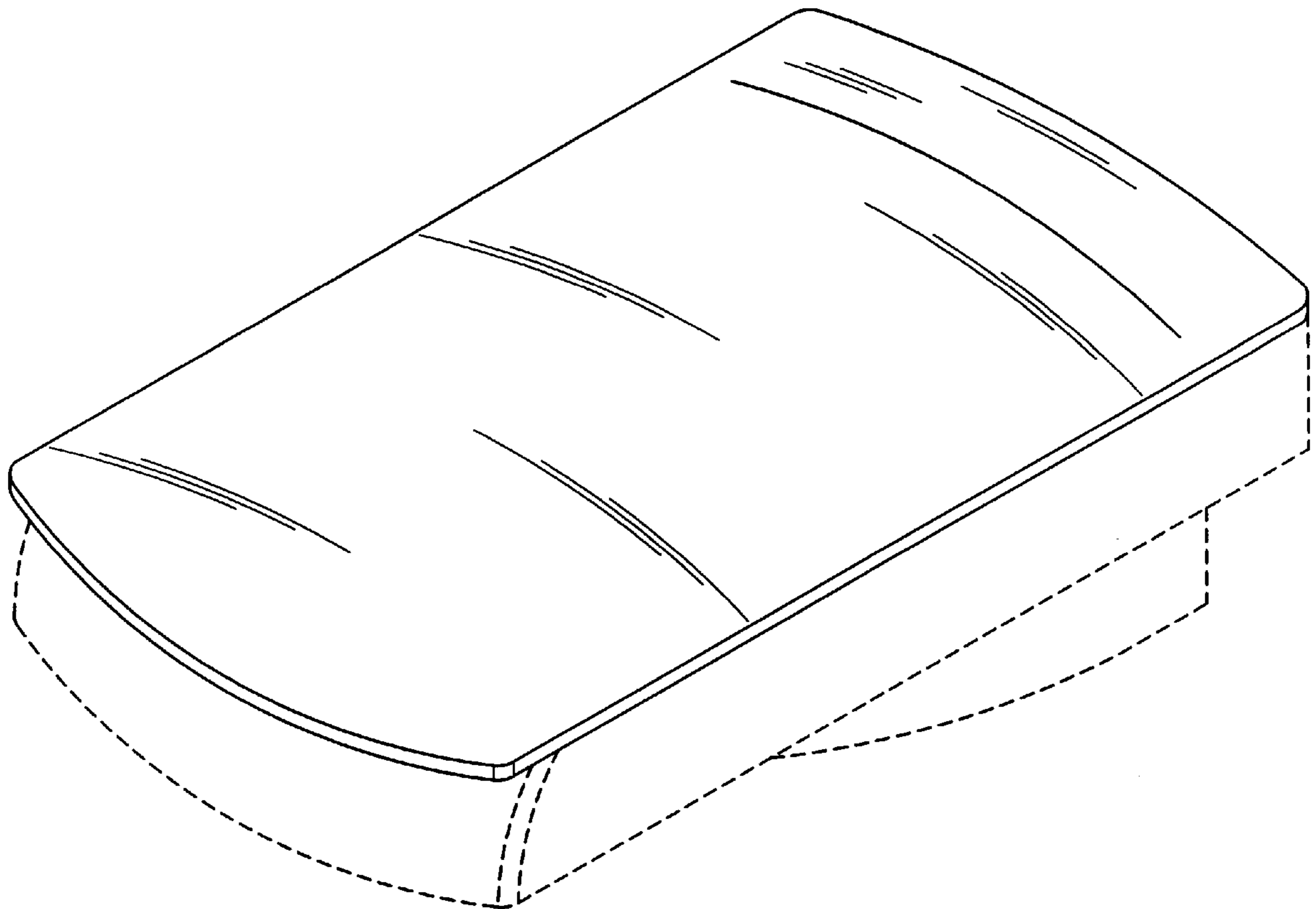
The brokenlines are shown in the views for illustrative purposes only and form no part of the claimed design.

[56] **References Cited**

U.S. PATENT DOCUMENTS

D. 318,654 7/1991 Huang D14/107

1 Claim, 4 Drawing Sheets



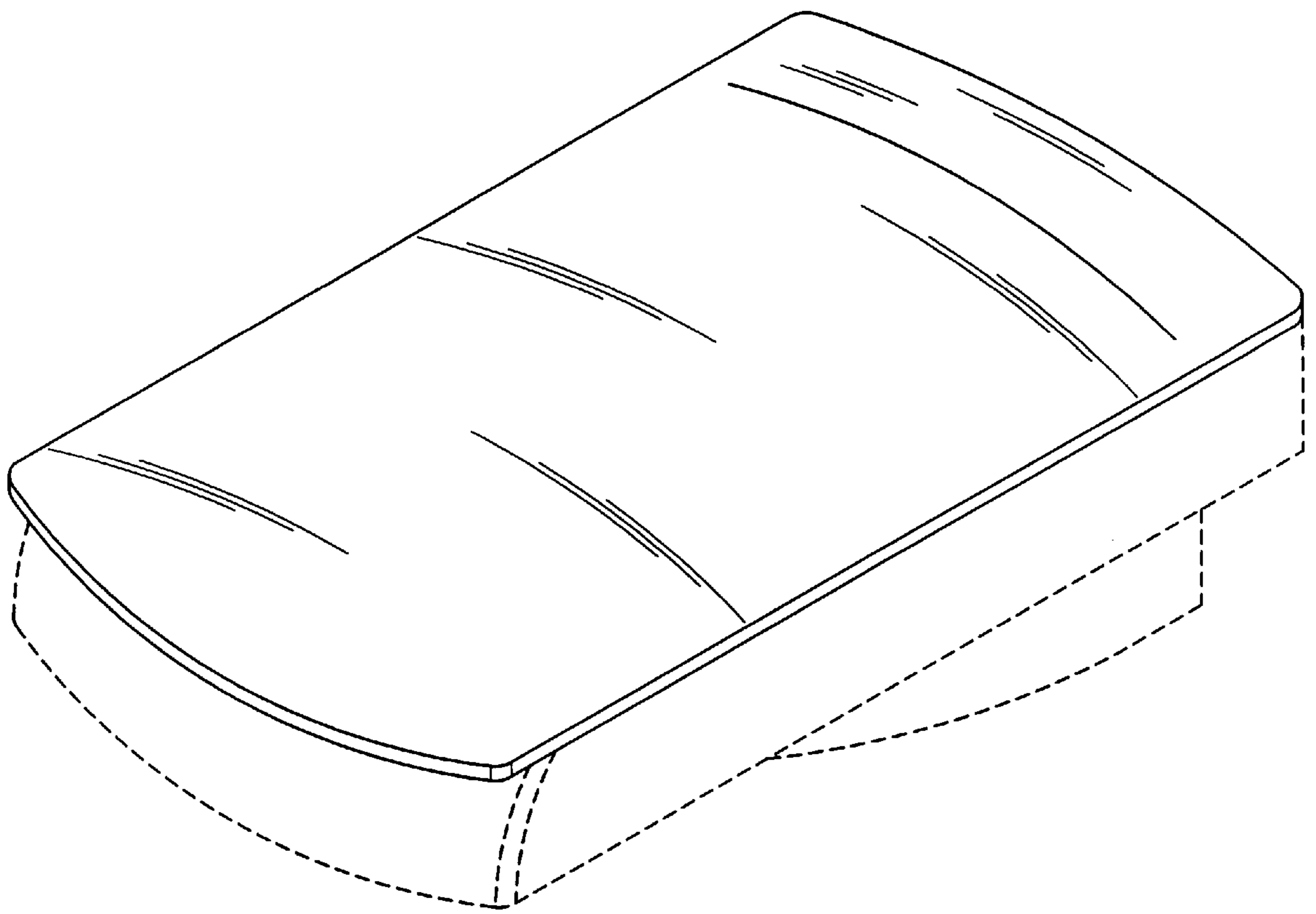


FIG. 1

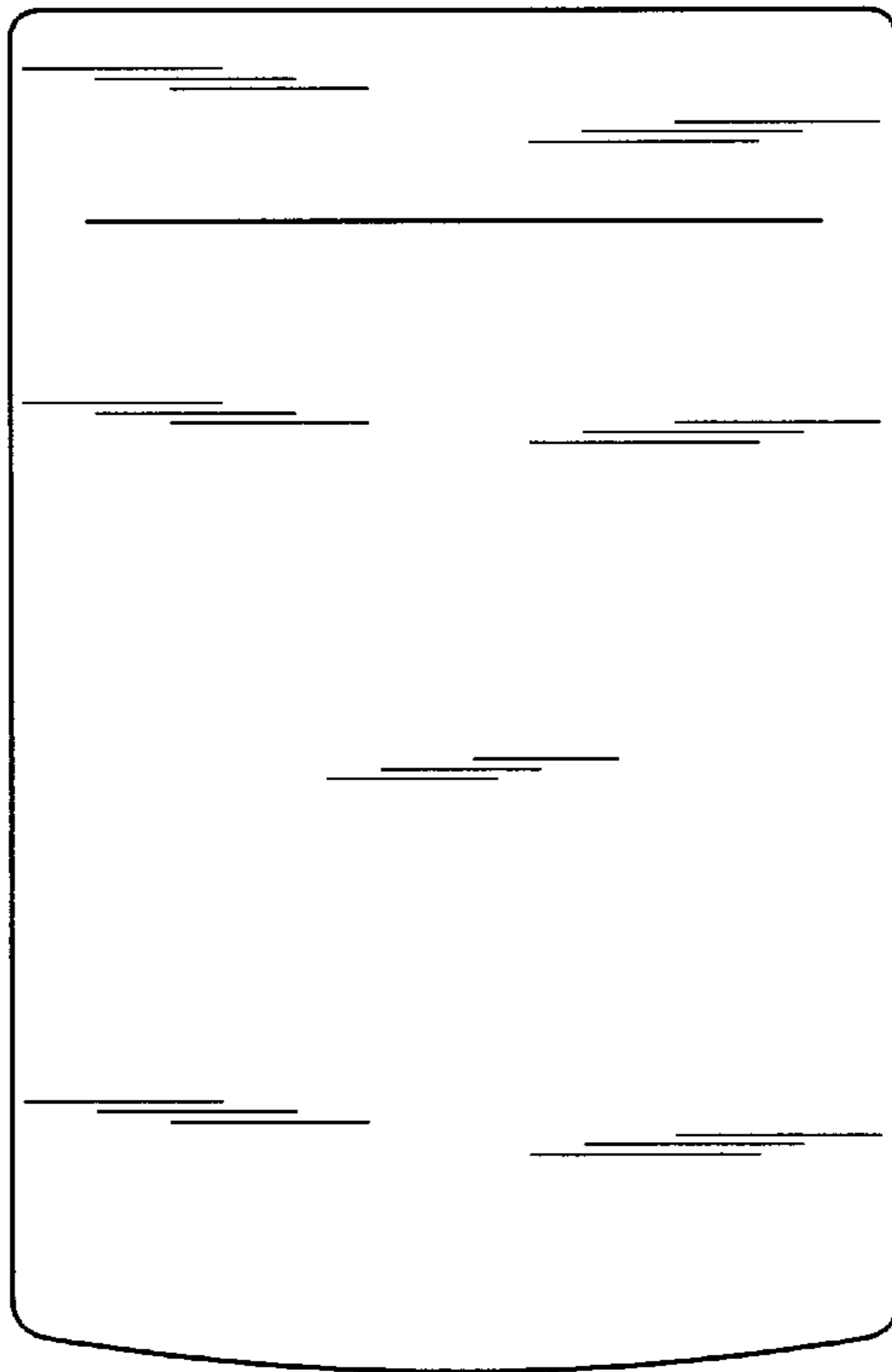


FIG. 2

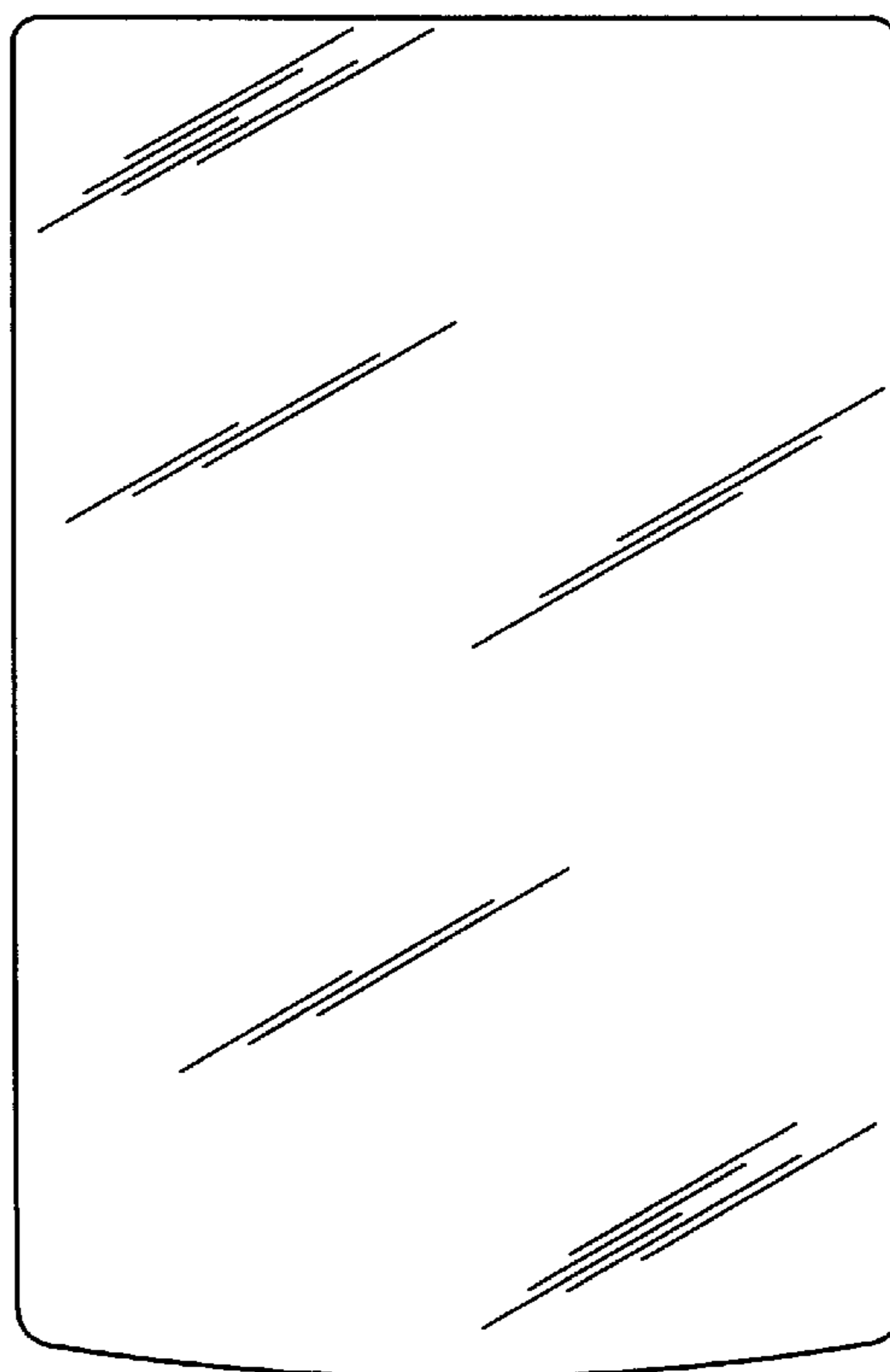


FIG. 3

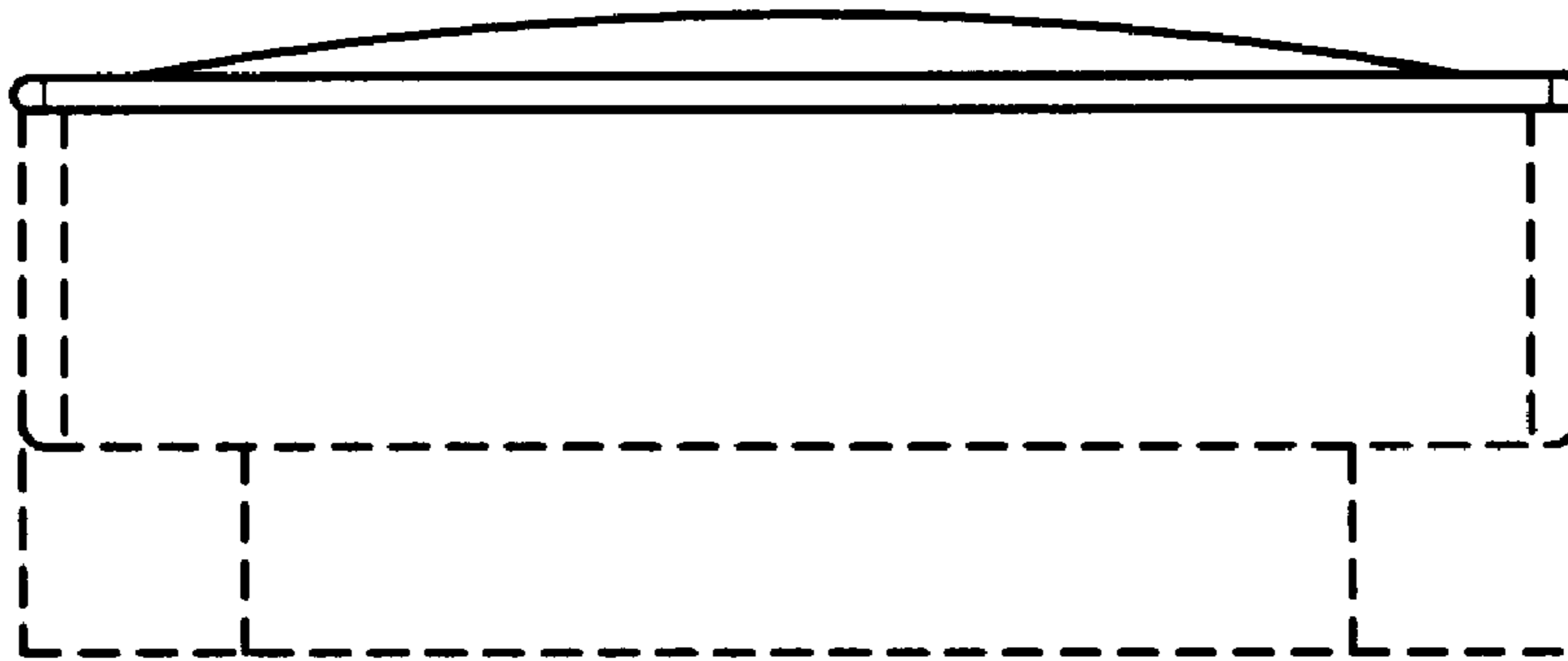


FIG. 4

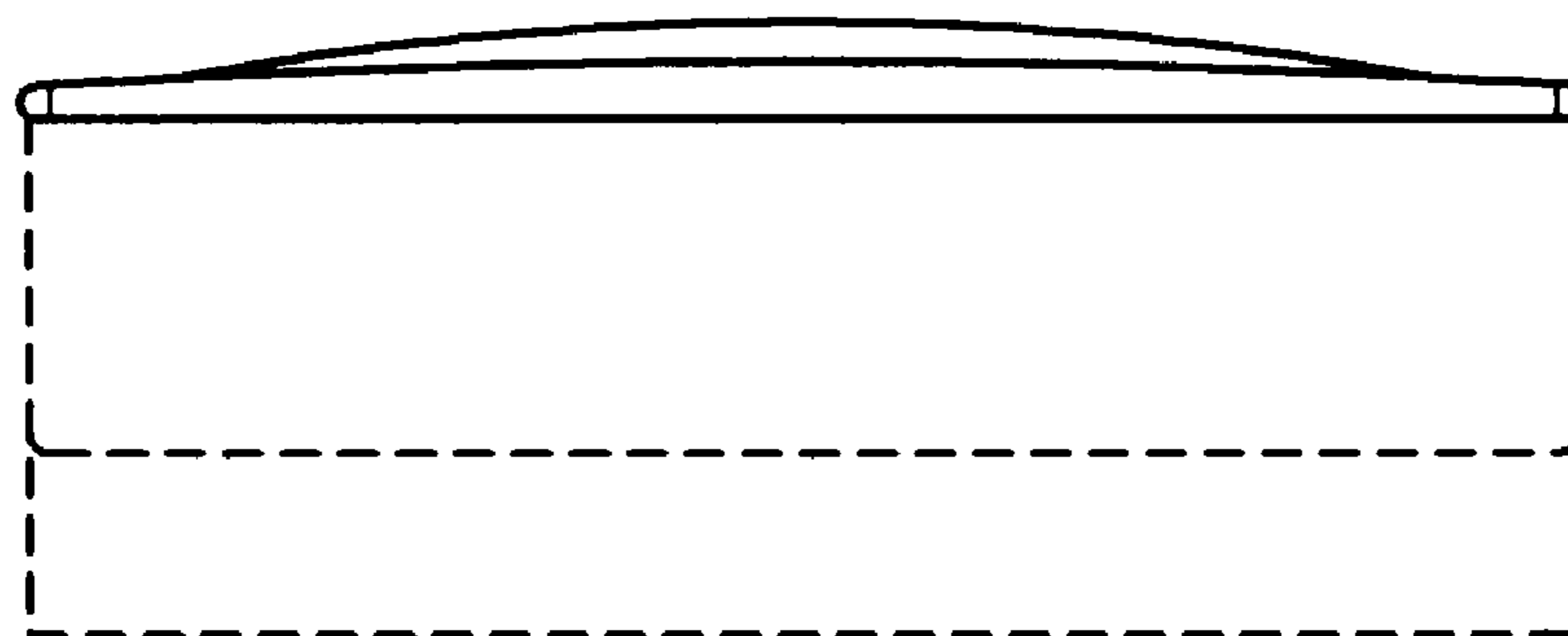


FIG. 5

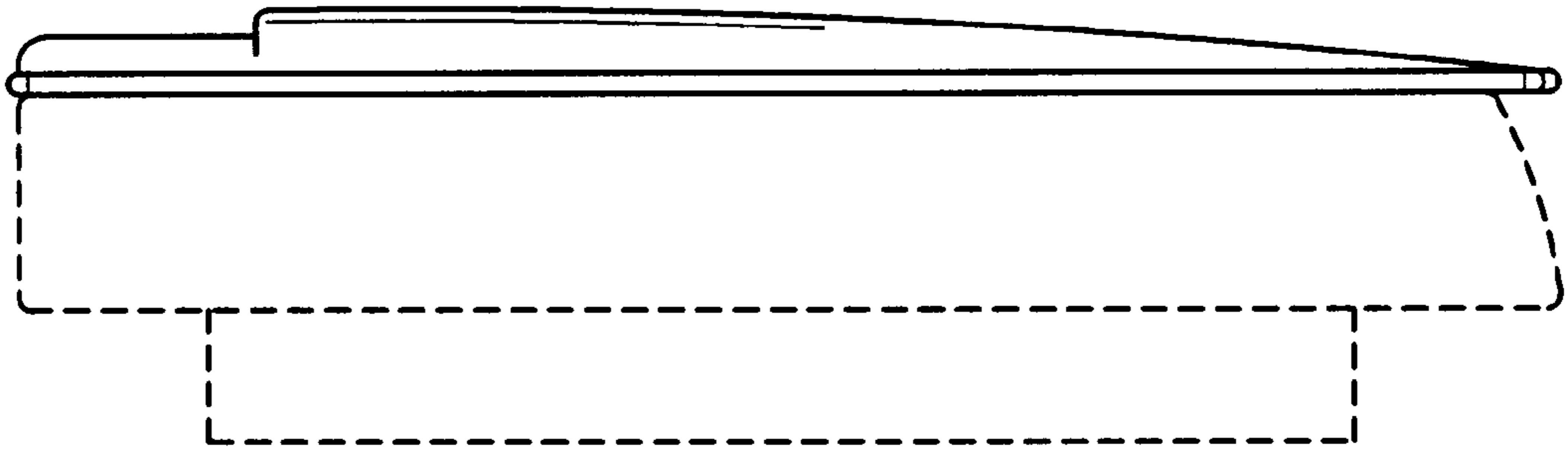


FIG. 6

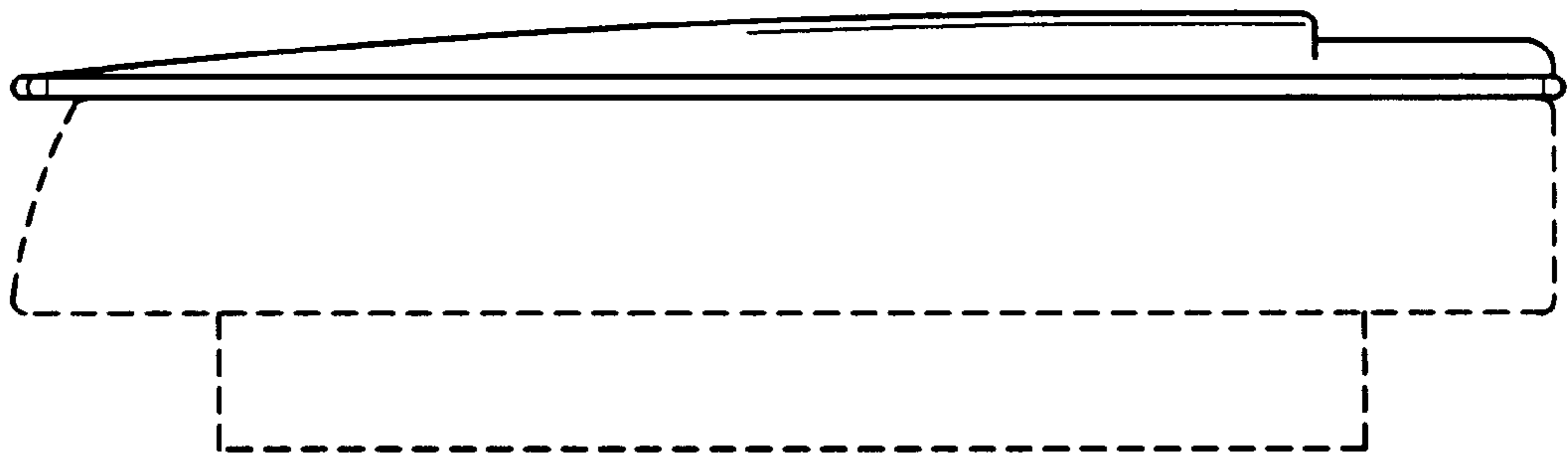


FIG. 7