



US00D410443S

United States Patent [19] Matsumoto

[11] **Patent Number: Des. 410,443**
[45] **Date of Patent: ** Jun. 1, 1999**

[54] **PORTABLE CHARACTER AND IMAGE PROCESSING APPARATUS**

[75] Inventor: **Jun Matsumoto**, Tokyo, Japan

[73] Assignee: **Kabushiki Kaisha Toshiba**, Kawasaki, Japan

[**] Term: **14 Years**

[21] Appl. No.: **29/077,160**

[22] Filed: **Aug. 21, 1997**

Related U.S. Application Data

[63] Continuation of application No. 29/063,553, Dec. 10, 1996, abandoned.

[51] **LOC (6) Cl. 14-02**

[52] **U.S. Cl. D14/107; D14/115**

[58] **Field of Search D14/100, 106, D14/115; D18/1, 2, 7; 178/18.03; 235/145 A, 145 R; 341/22, 23; 345/156, 168, 169, 172, 87, 173; 364/708.1**

[56] References Cited

U.S. PATENT DOCUMENTS

D. 270,061	8/1983	Ackeret	D16/11
D. 270,062	8/1983	Ackeret	D16/11
D. 270,063	8/1983	Ackeret	D16/11
D. 289,873	5/1987	Gemmell et al.	D14/113
D. 315,549	3/1991	Clough et al.	D14/100
D. 315,895	4/1991	Paine et al.	D14/100
D. 317,151	5/1991	Daly	D14/100
D. 319,433	8/1991	Pearce	D14/100
D. 322,246	12/1991	Izaki	D14/100
D. 324,673	3/1992	Iino	D14/106
D. 332,776	1/1993	Kelly et al.	D14/100
D. 337,569	7/1993	Kando	D14/100
D. 340,701	10/1993	Takeuchi	D14/100

D. 341,823	11/1993	Sakai	D14/100
D. 345,346	3/1994	Alfonso et al.	D14/100
D. 346,366	4/1994	Kim et al.	D14/100
D. 346,793	5/1994	Iino et al.	D14/100
D. 362,662	9/1995	Baudot	D14/100
D. 373,118	8/1996	Naruki	D14/100

FOREIGN PATENT DOCUMENTS

922491 3/1995 Japan .

OTHER PUBLICATIONS

Palmtop, publication date unknown.
XTEND PN10, publication date unknown.
Catalog (PMC-1000), Hitachi Ltd., Sep. 12, 1995.
XTEND, May 20, 1993.
Catalog (PMC-1000), Hitachi Ltd., Sep. 12, 1995.
Palmtop
XTEND PN10.
XTEND, May 20, 1993 (obtained by applicant).

Primary Examiner—Freda Nunn
Attorney, Agent, or Firm—Banner & Witcoff, Ltd.

[57] CLAIM

The ornamental design for a portable character and image processing apparatus, as shown and described.

DESCRIPTION

FIG. 1 is a top, front and right side perspective view of a portable character and image processing apparatus showing my new design;
FIG. 2 is a front elevational view thereof;
FIG. 3 is a rear elevational view thereof;
FIG. 4 is a top plan view thereof;
FIG. 5 is a bottom plan view thereof;
FIG. 6 is a left side elevational view thereof; and,
FIG. 7 is a right side elevational view thereof.

1 Claim, 3 Drawing Sheets

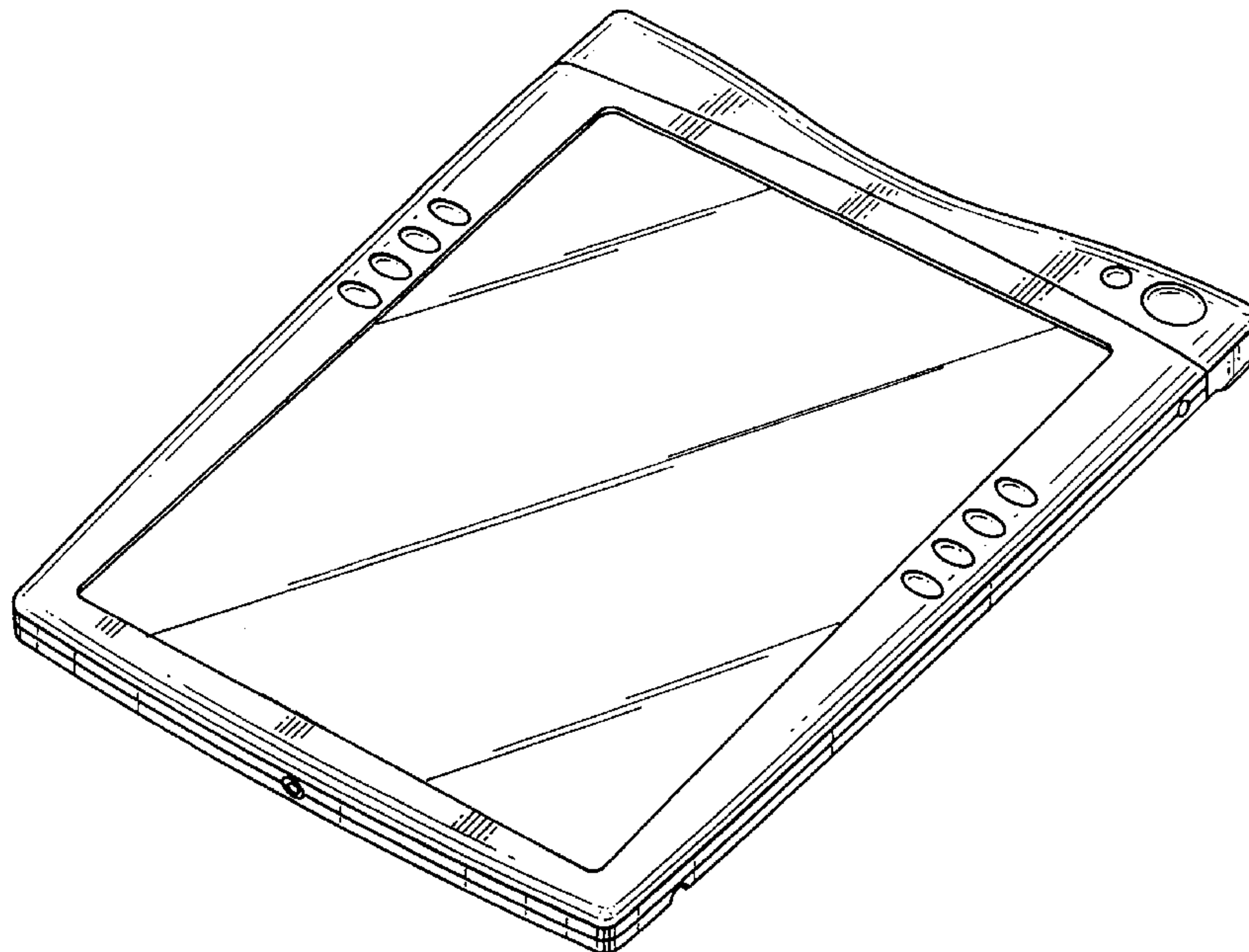


FIG. 1

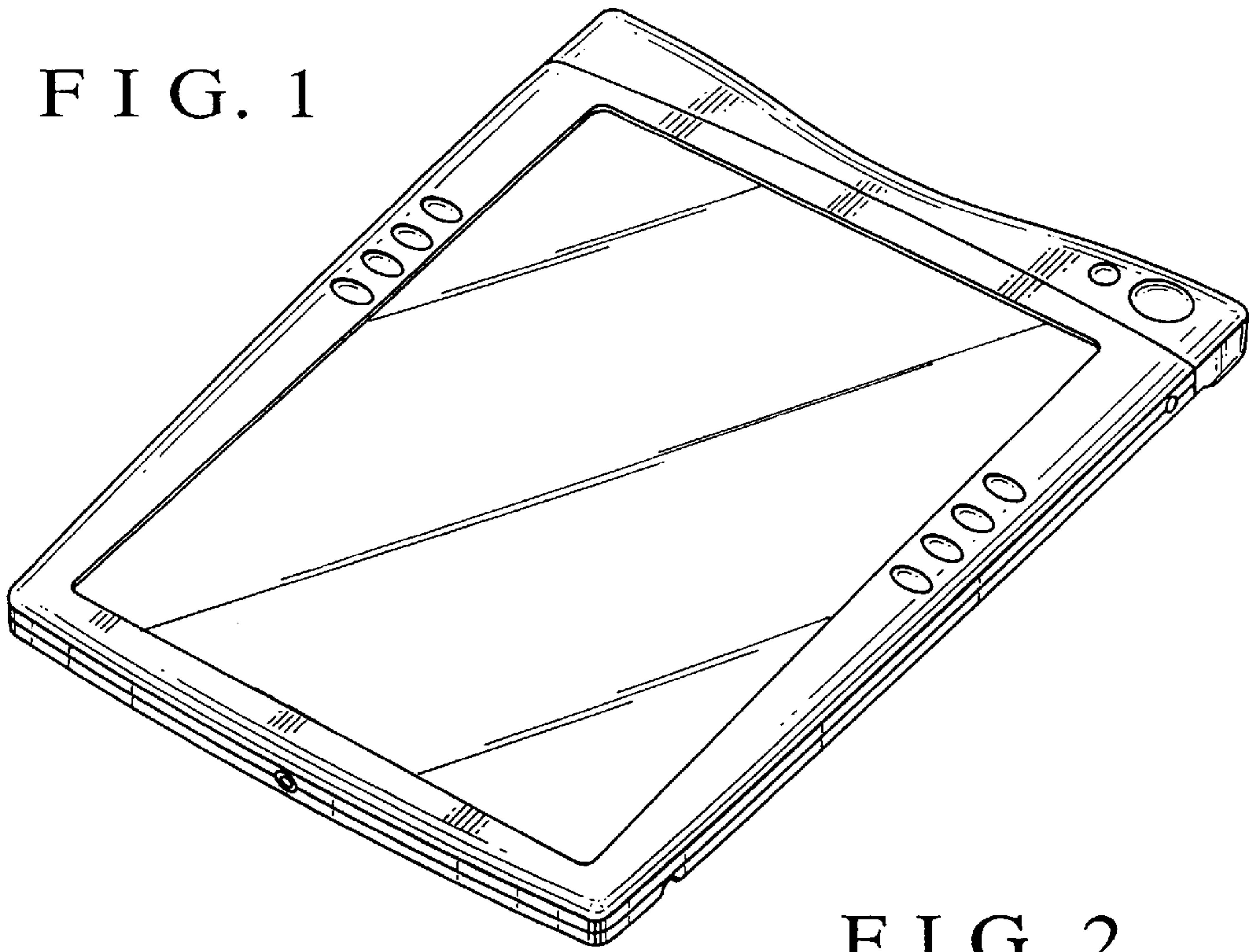


FIG. 2

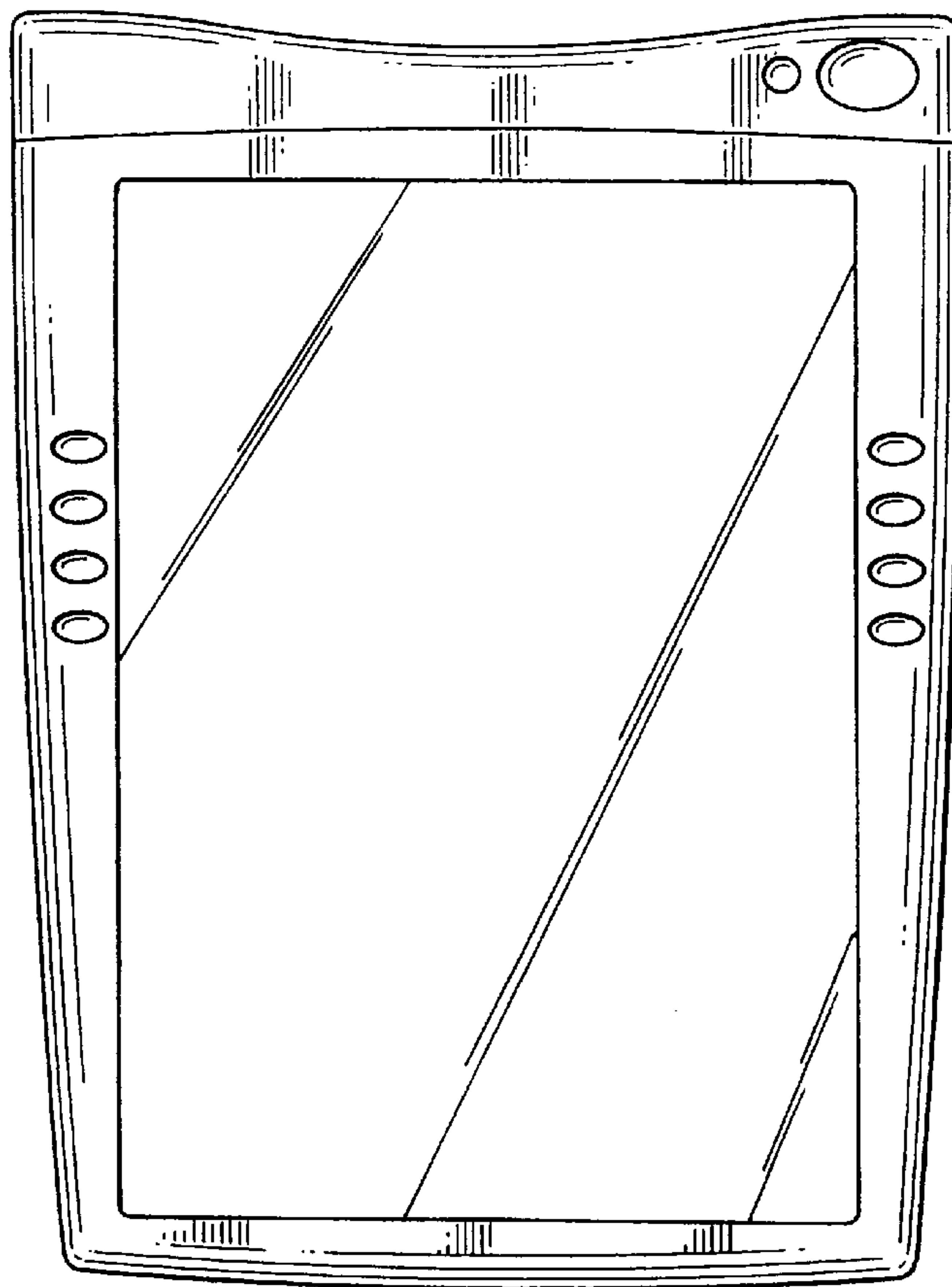


FIG. 3

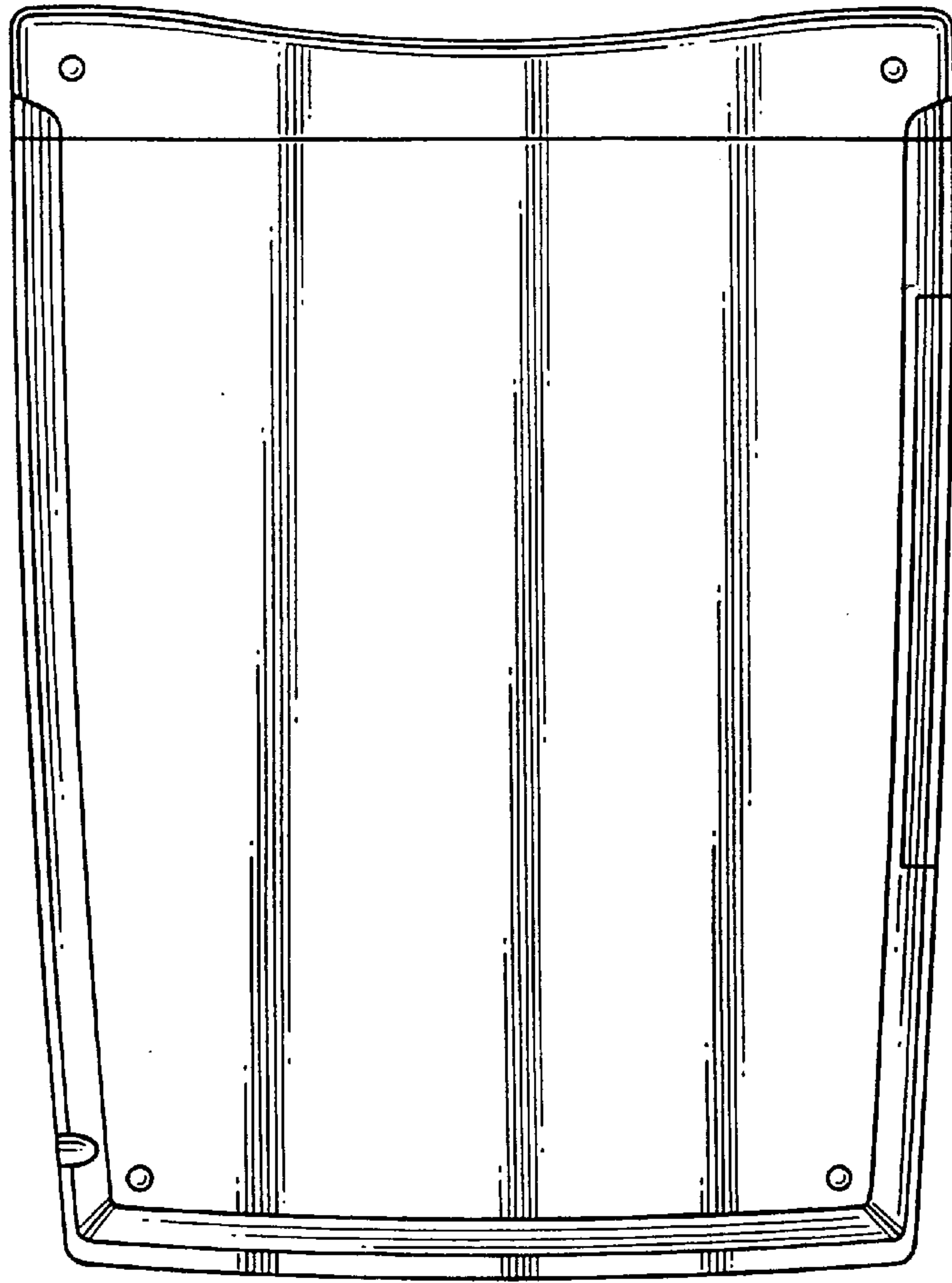


FIG. 4

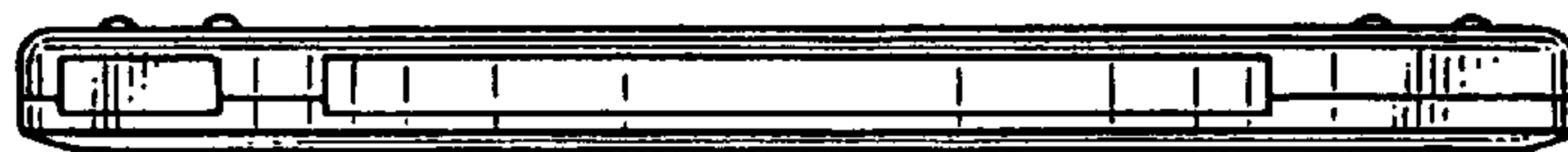


FIG. 5



FIG. 6

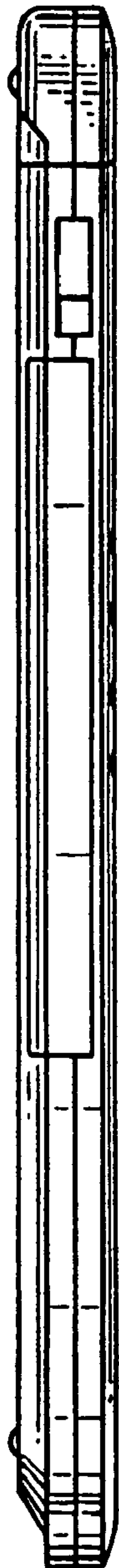


FIG. 7

