



US00D410442S

United States Patent [19]

Goodner et al.

[11] Patent Number: Des. 410,442

[45] Date of Patent: ** Jun. 1, 1999

[54] NOTEBOOK COMPUTER

[75] Inventors: Douglas E. Goodner, The Woodlands; Stacy L. Wolff; Kevin L. Massaro, both of Houston, all of Tex.; John H. Loudenslager; William R. Dorr, both of Phoenix, Ariz.

[73] Assignee: Compaq Computer Corporation, Houston, Tex.

[**] Term: 14 Years

[21] Appl. No.: 29/089,171

[22] Filed: Jun. 8, 1998

[51] LOC (6) Cl. 14-02

[52] U.S. Cl. D14/106

[58] Field of Search D14/100, 101, D14/106, 113, 115; D18/1, 2, 7; 235/145 A, 145 R; 341/22, 23; 345/104, 156, 168, 173; 361/680-686; 364/708.1

[56] References Cited

U.S. PATENT DOCUMENTS

D. 306,433	3/1990	Mitchell	D14/106
D. 312,450	11/1990	Walters, II	D14/106
D. 317,442	6/1991	Gintz et al.	D14/106
D. 338,660	8/1993	Youens et al.	D14/106
D. 345,552	3/1994	Mundt	D14/106
D. 356,072	3/1995	Mundt	D14/106
D. 363,062	10/1995	Leman	D14/100
D. 365,548	12/1995	Youens	D14/106
D. 366,033	1/1996	Youens et al.	D14/106
D. 368,703	4/1996	Goodrich et al.	D14/106
D. 379,804	6/1997	Shima et al.	D14/106

D. 384,043	9/1997	Tamaki	D14/106
D. 385,856	11/1997	Kawa	D14/106
D. 392,948	3/1998	Inoue	D14/106

Primary Examiner—Freda Nunn
Attorney, Agent, or Firm—Akin, Gump, Strauss, Hauer & Feld, L.L.P.

[57] CLAIM

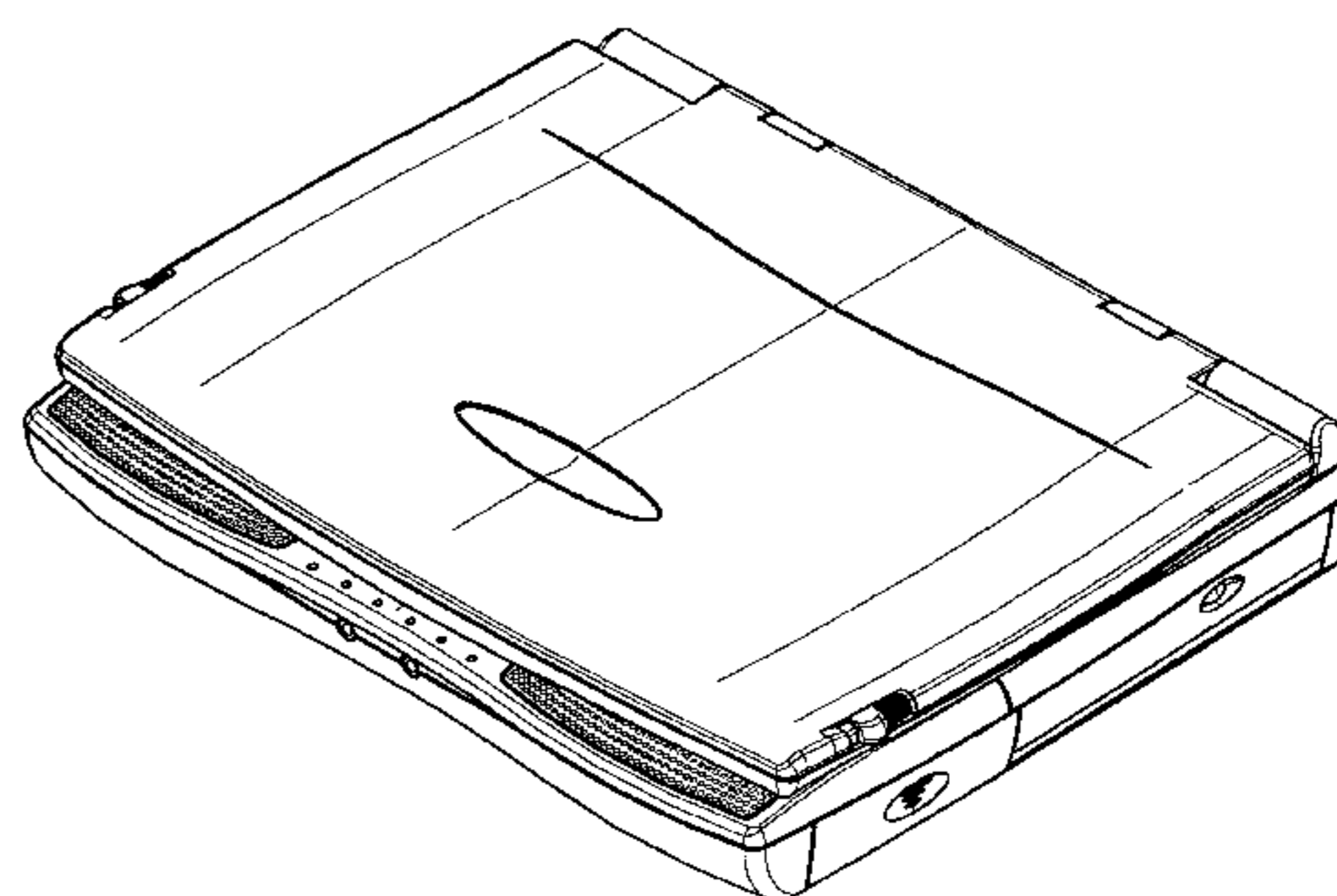
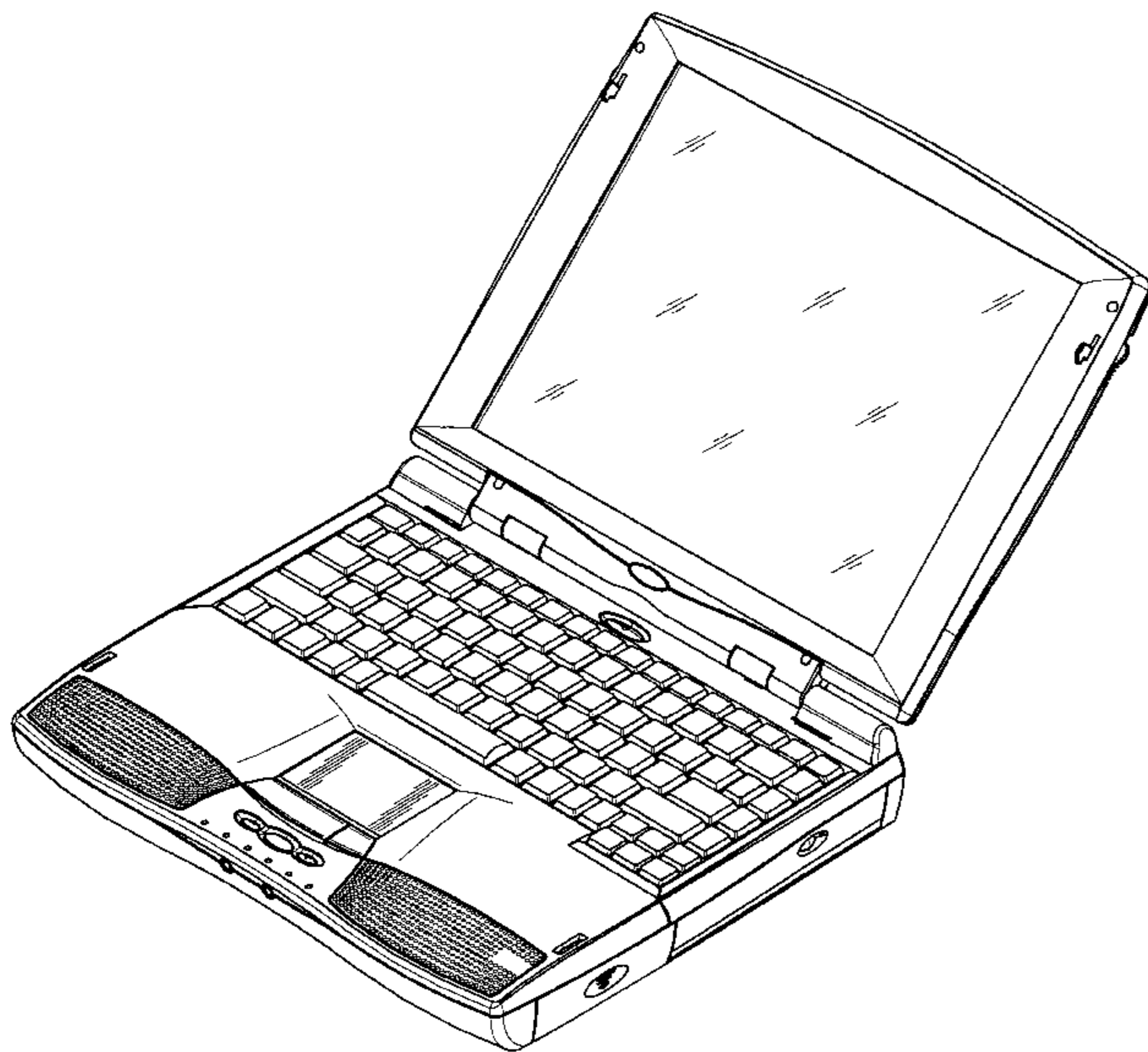
The ornamental design for notebook computer, as shown and described.

DESCRIPTION

FIG. 1 is a front, right side, top perspective view of a notebook computer showing our new design with the display in the open position;
 FIG. 2 is a front elevational view thereof;
 FIG. 3 is a top plan view thereof;
 FIG. 4 is a bottom view thereof;
 FIG. 5 is a right-side elevational view thereof;
 FIG. 6 is a left-side elevational view thereof;
 FIG. 7 is a rear elevational view thereof;
 FIG. 8 is a front, right side, top perspective view of the notebook computer showing our new design with the display in the closed position;
 FIG. 9 is a top plan view thereof;
 FIG. 10 is a front elevational view thereof;
 FIG. 11 is a left-side elevational view thereof;
 FIG. 12 is a right-side elevational view thereof;
 FIG. 13 is a rear elevational view thereof; and,
 FIG. 14 is a bottom view thereof.

The broken line showing of the various ports and connectors on FIGS. 7 and 13 are for illustrative purposes only and form no part of the claimed design.

1 Claim, 12 Drawing Sheets



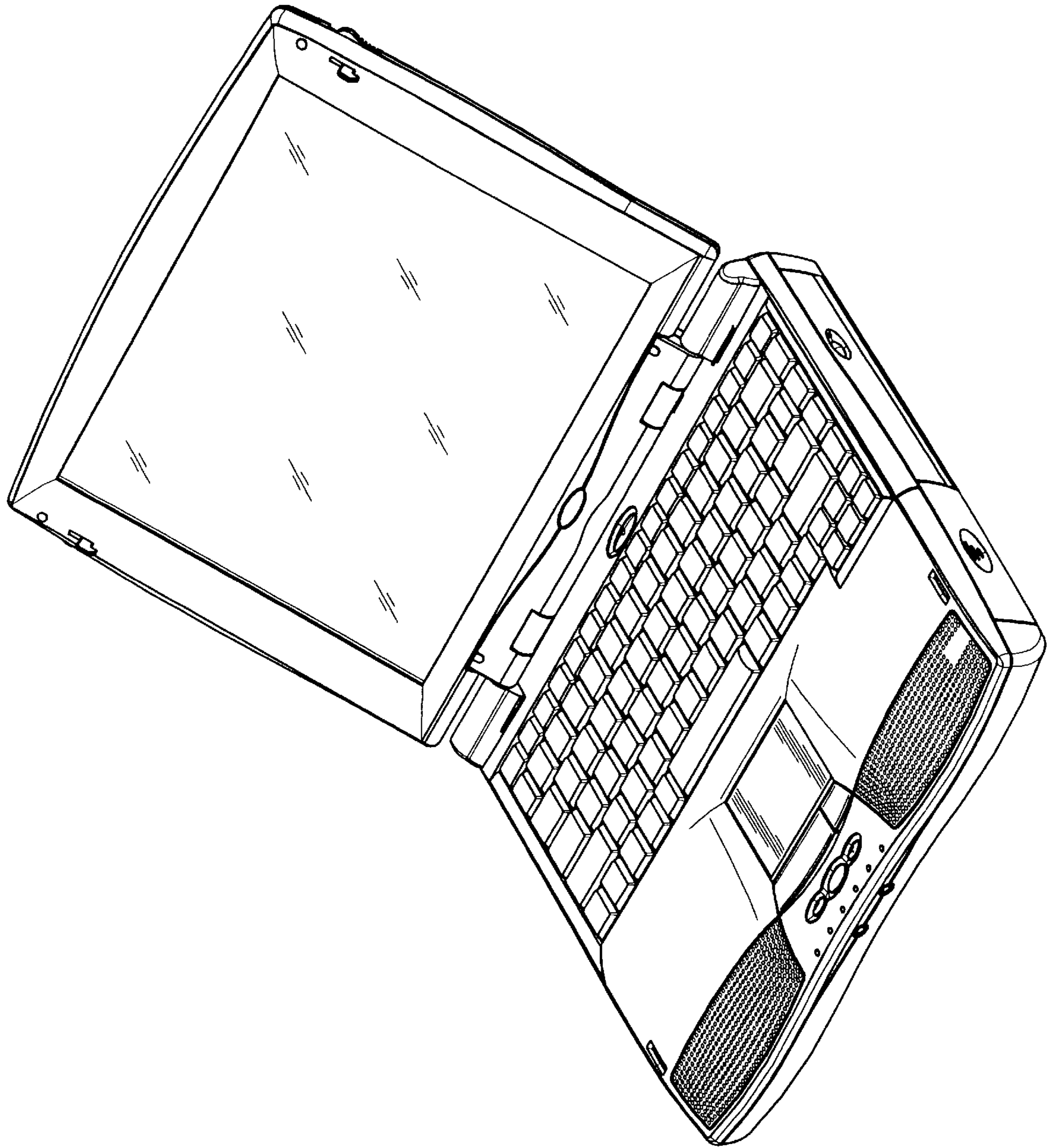


FIG. 1

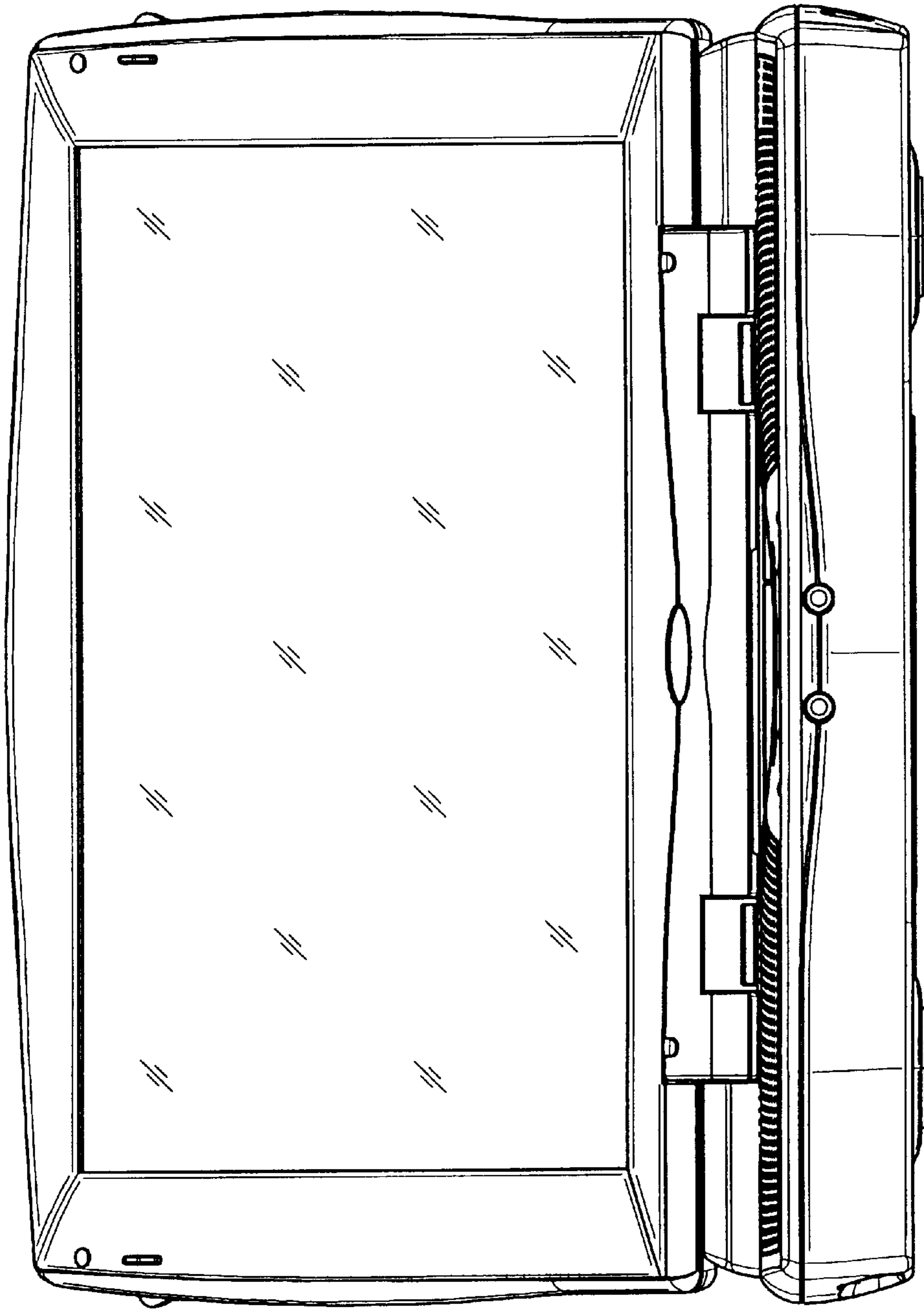


FIG. 2

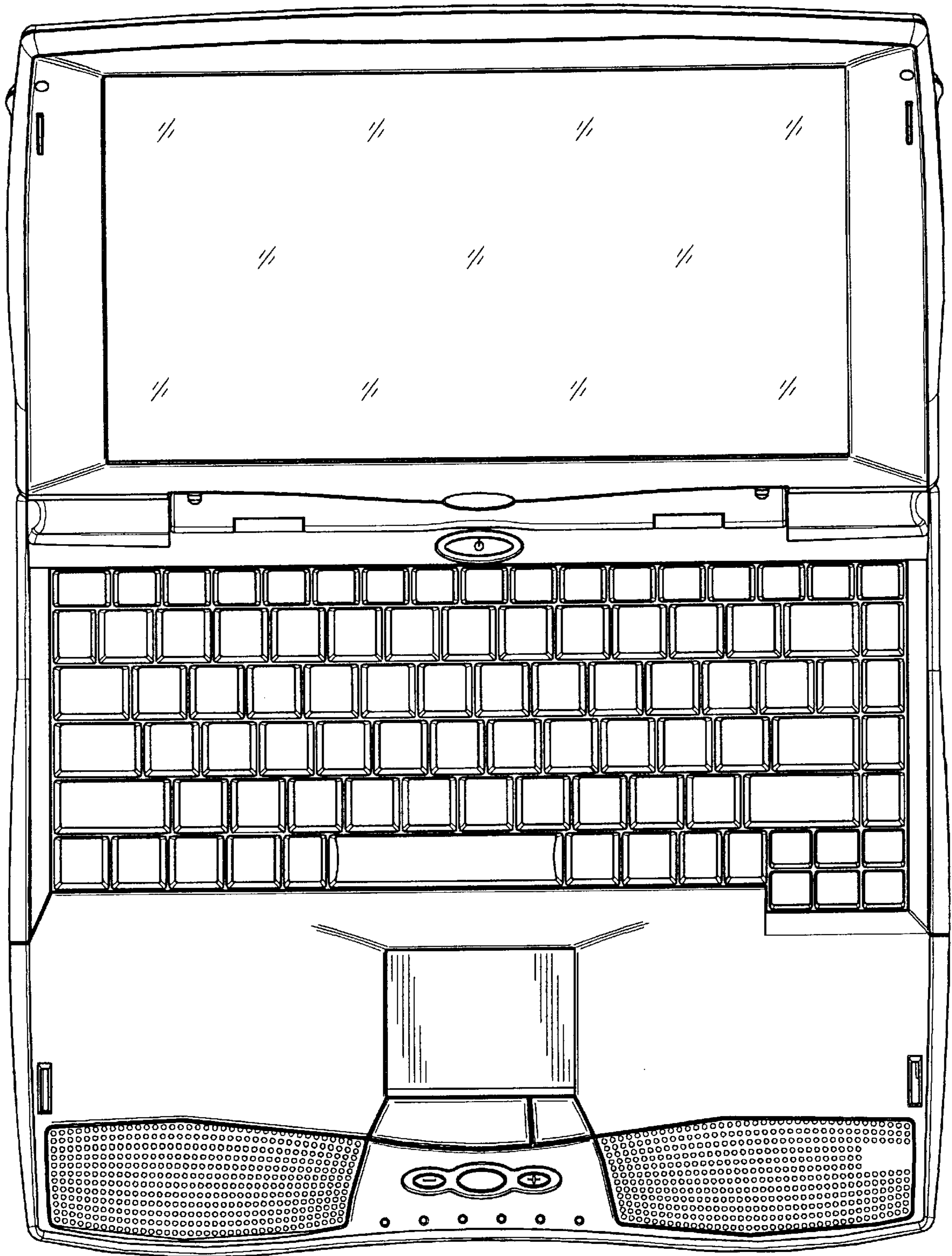


FIG. 3

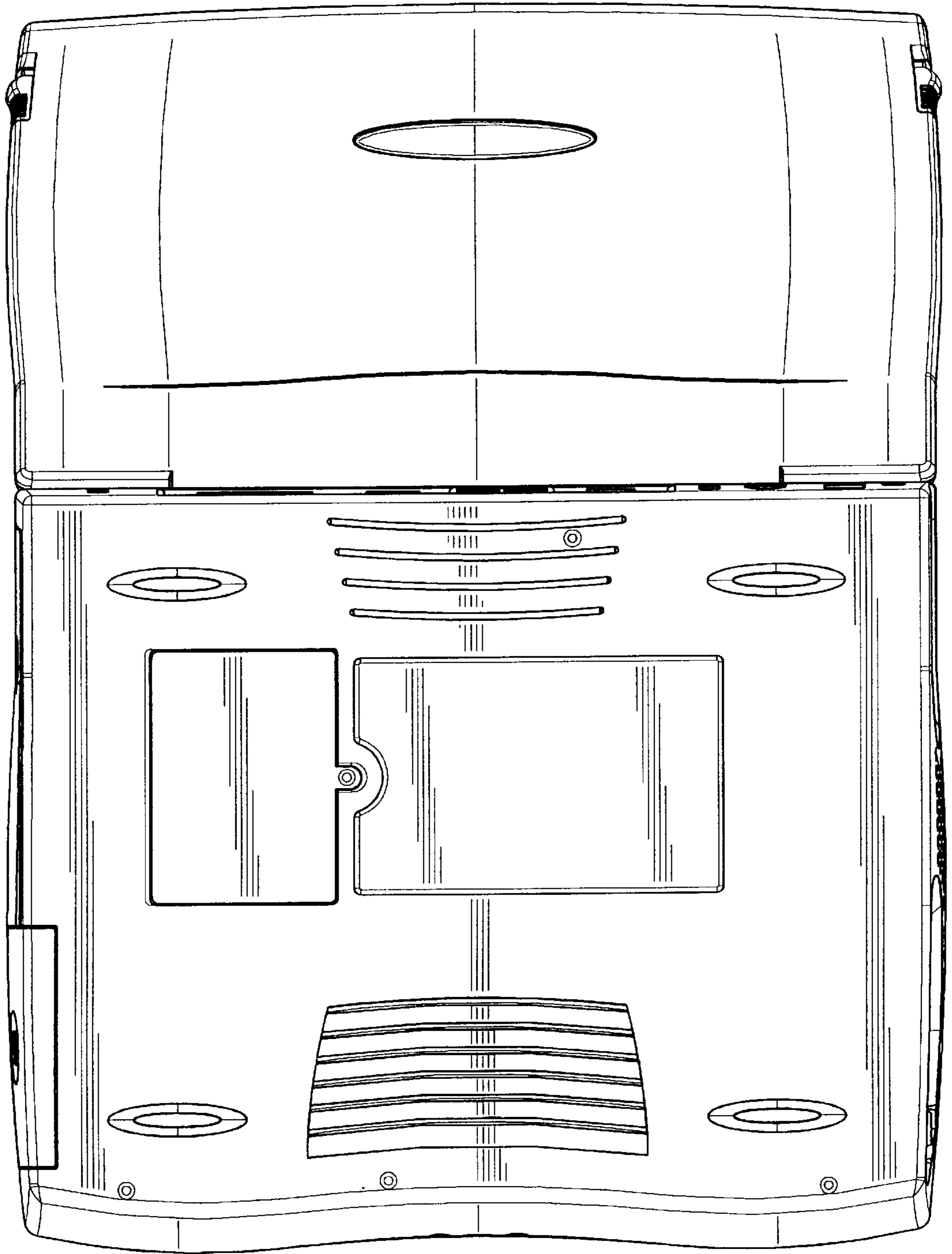


FIG. 4

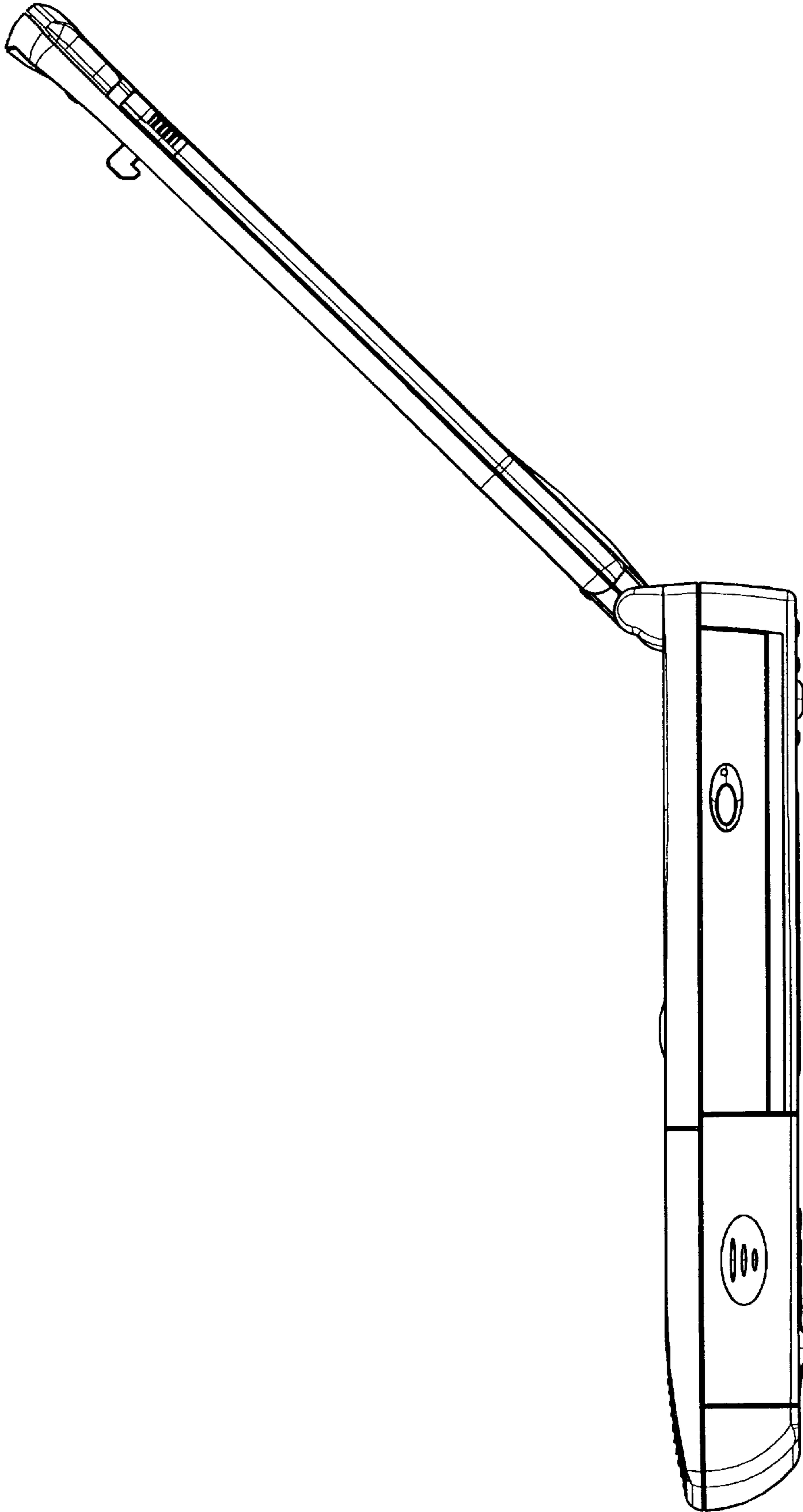


FIG. 5

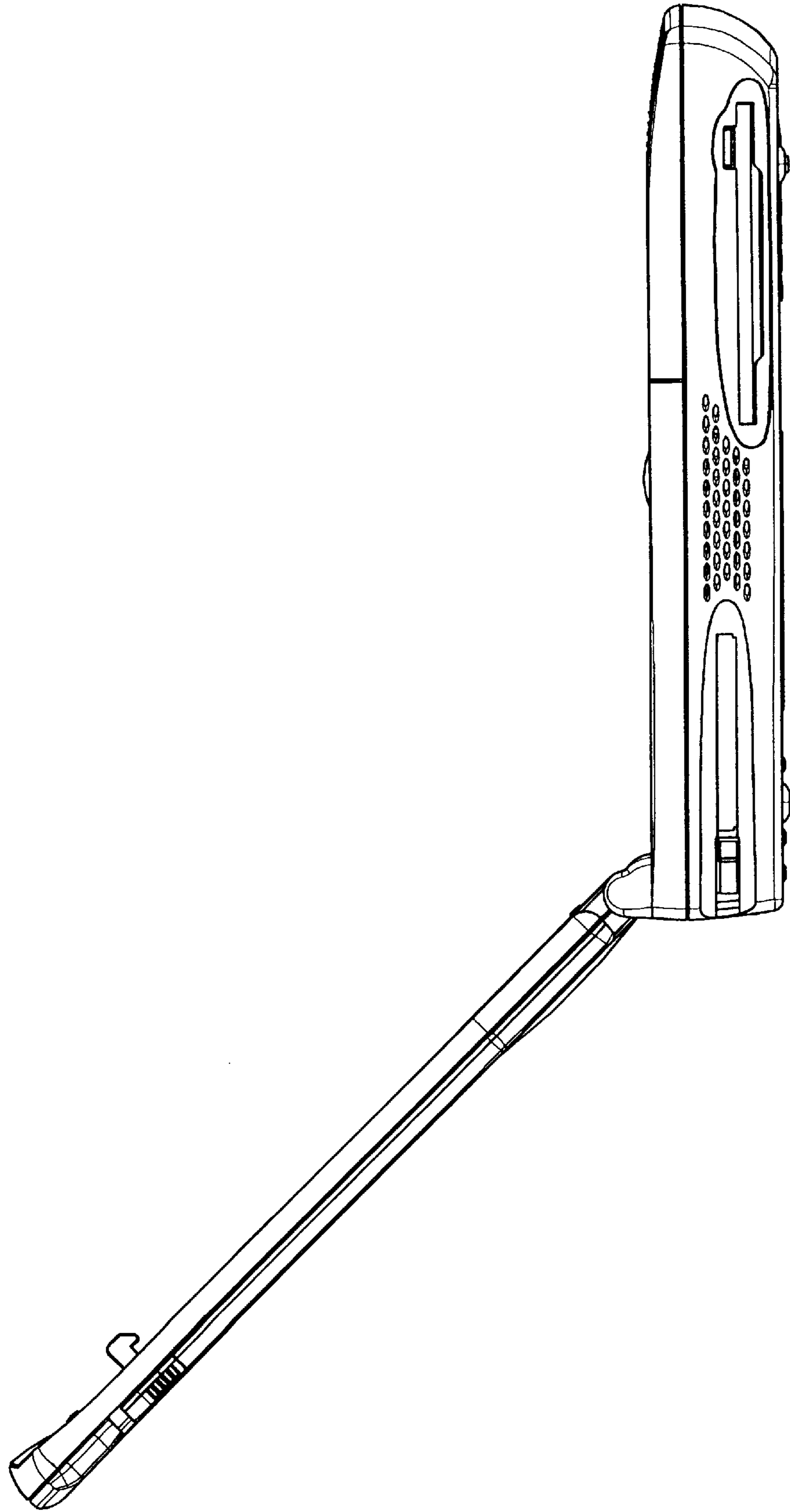


FIG. 6

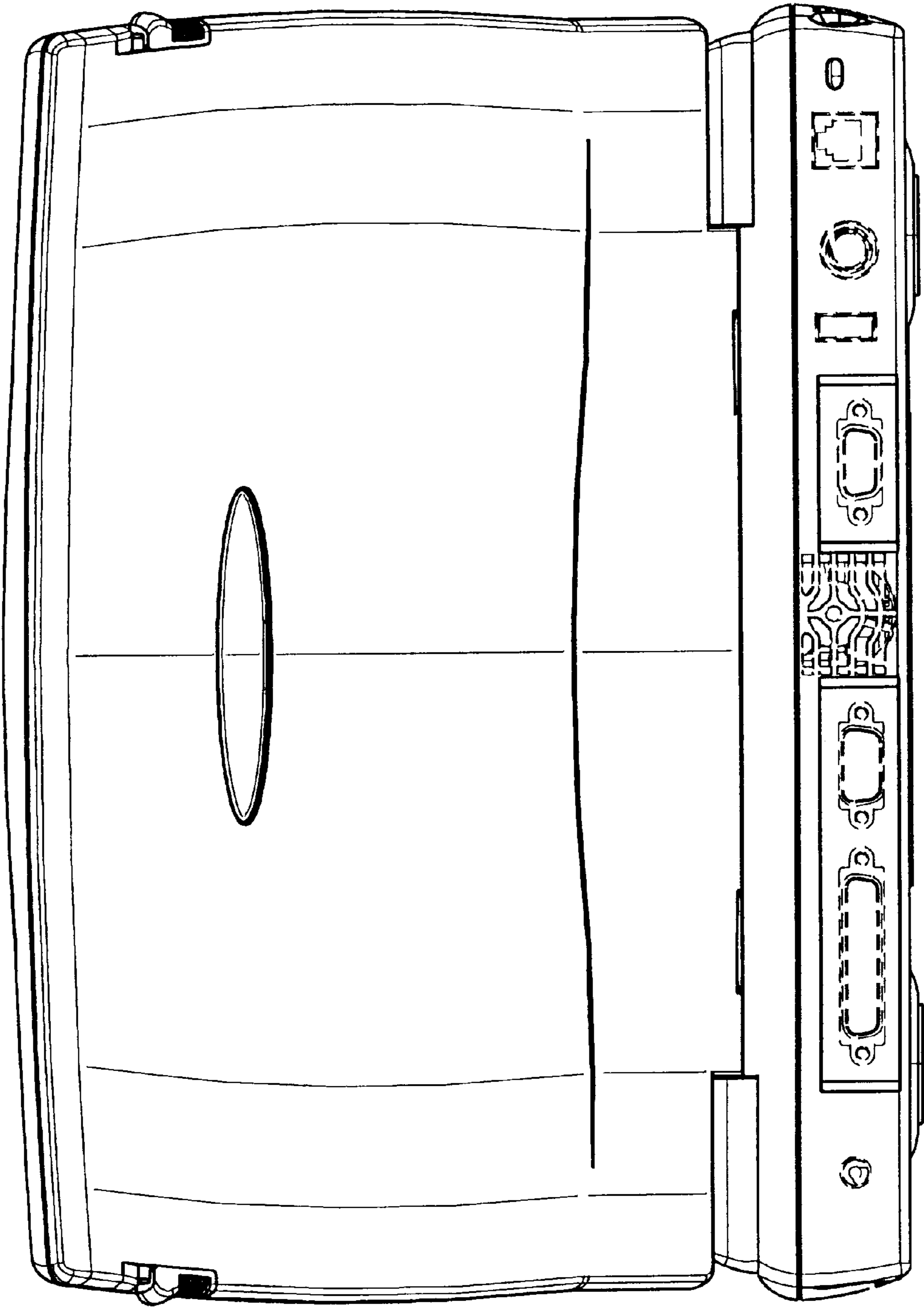


FIG. 7

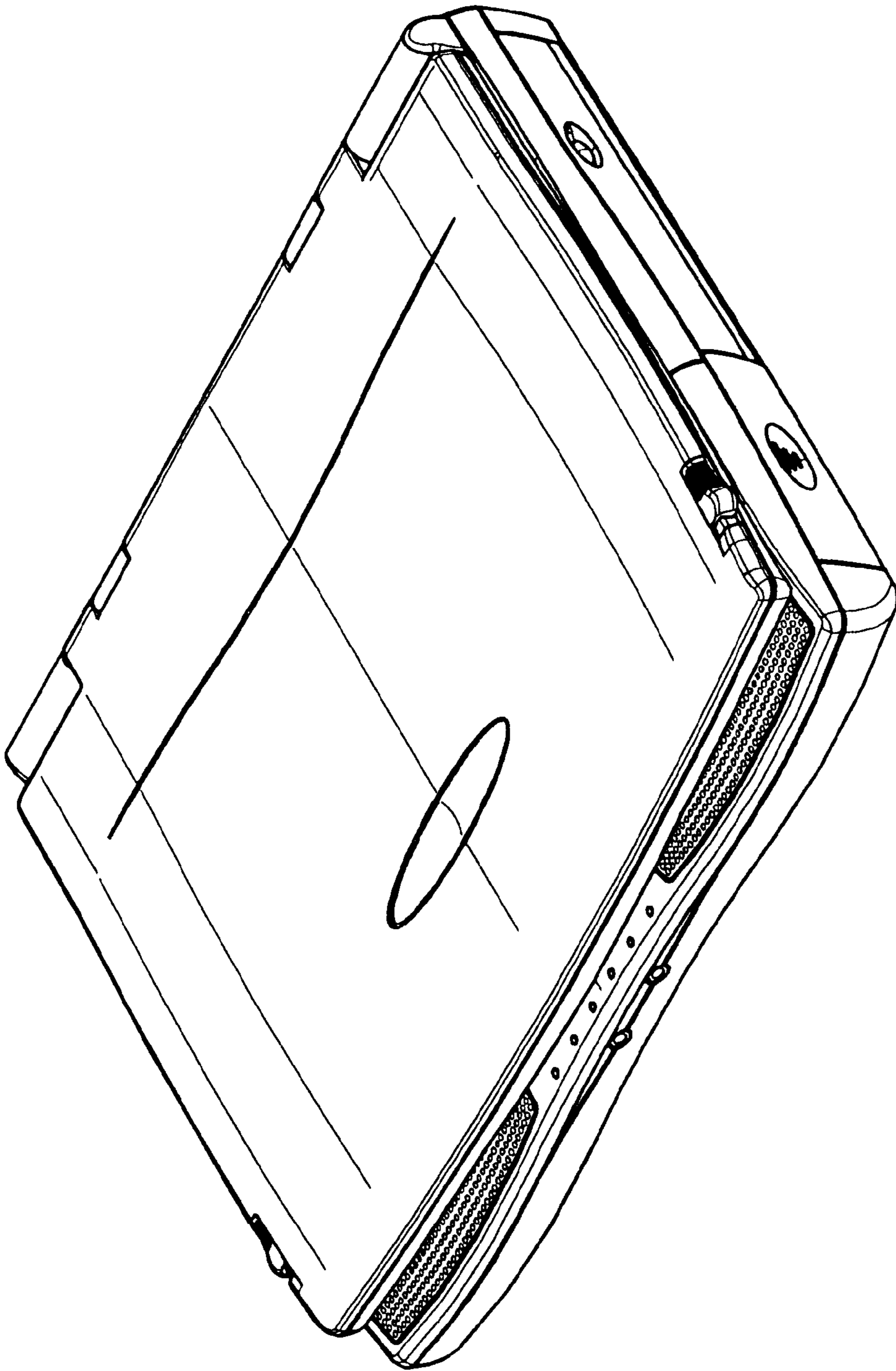


FIG. 8

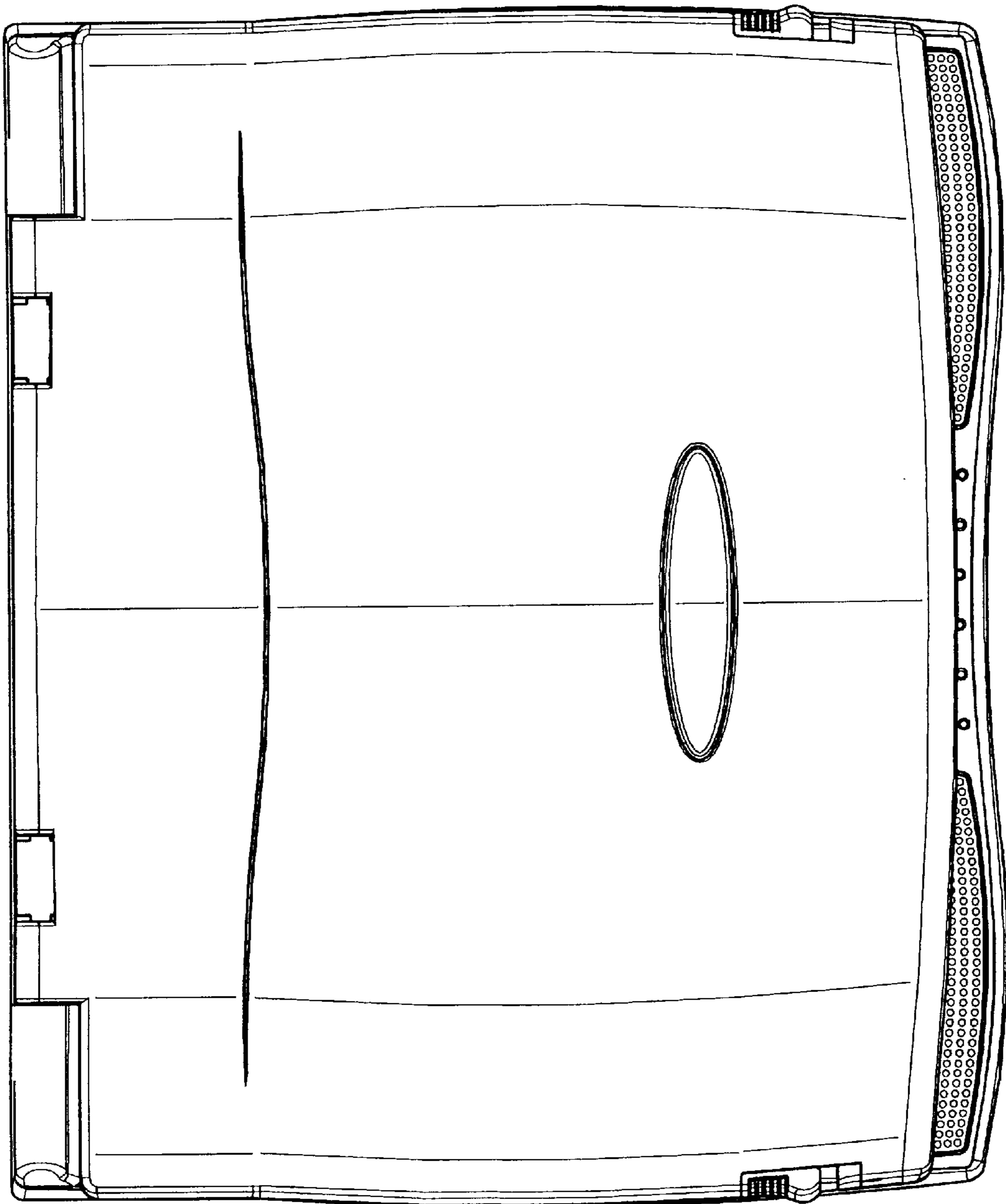


FIG. 9

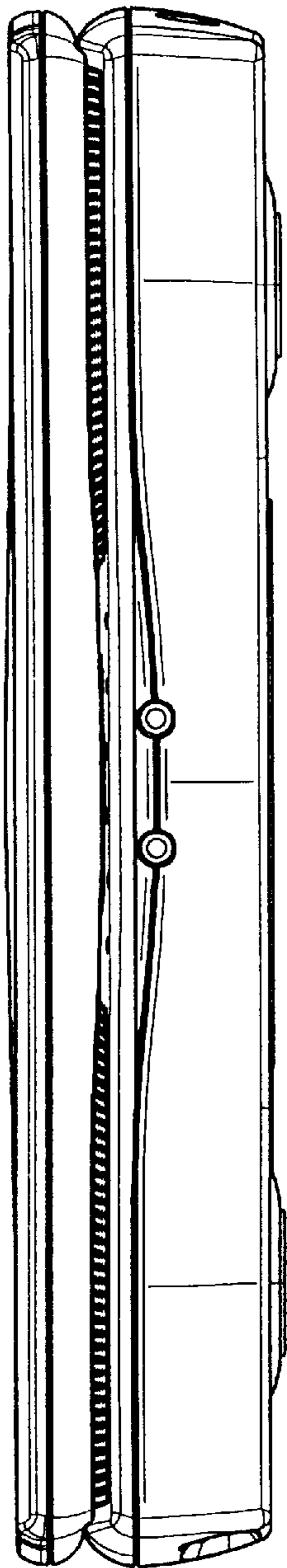


FIG. 10

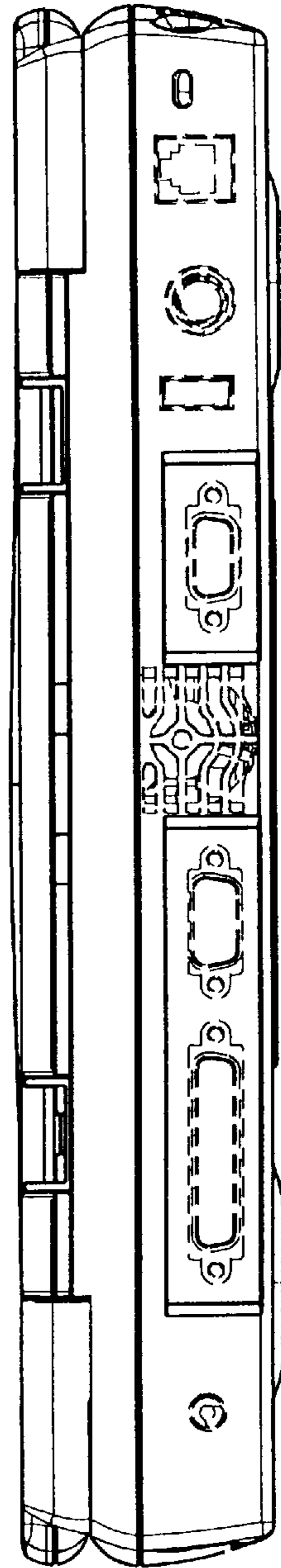


FIG. 13

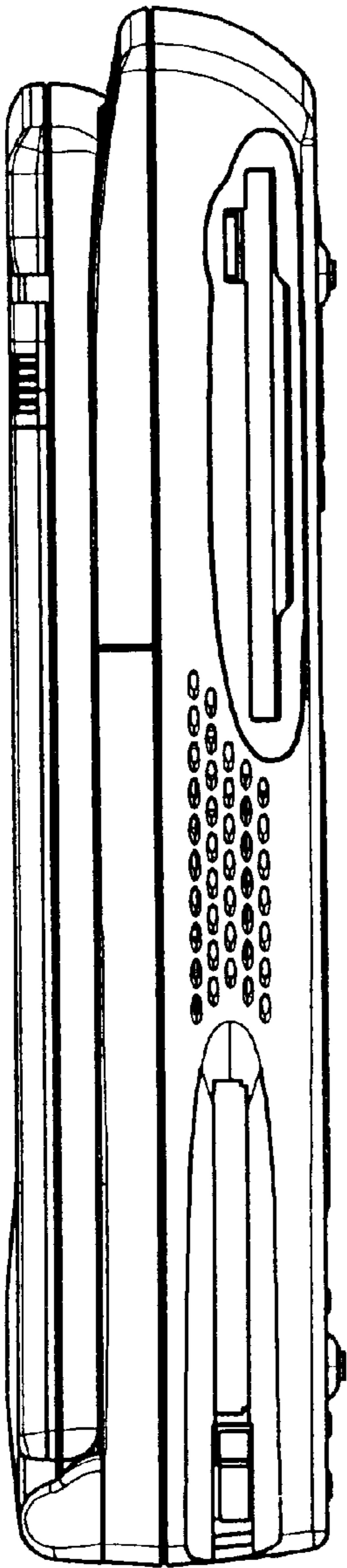


FIG. 11

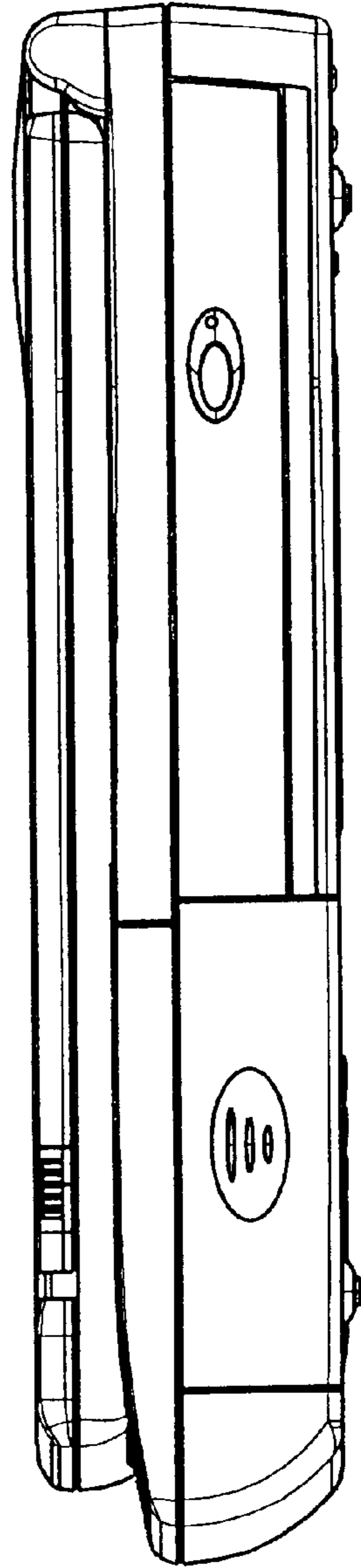


FIG. 12

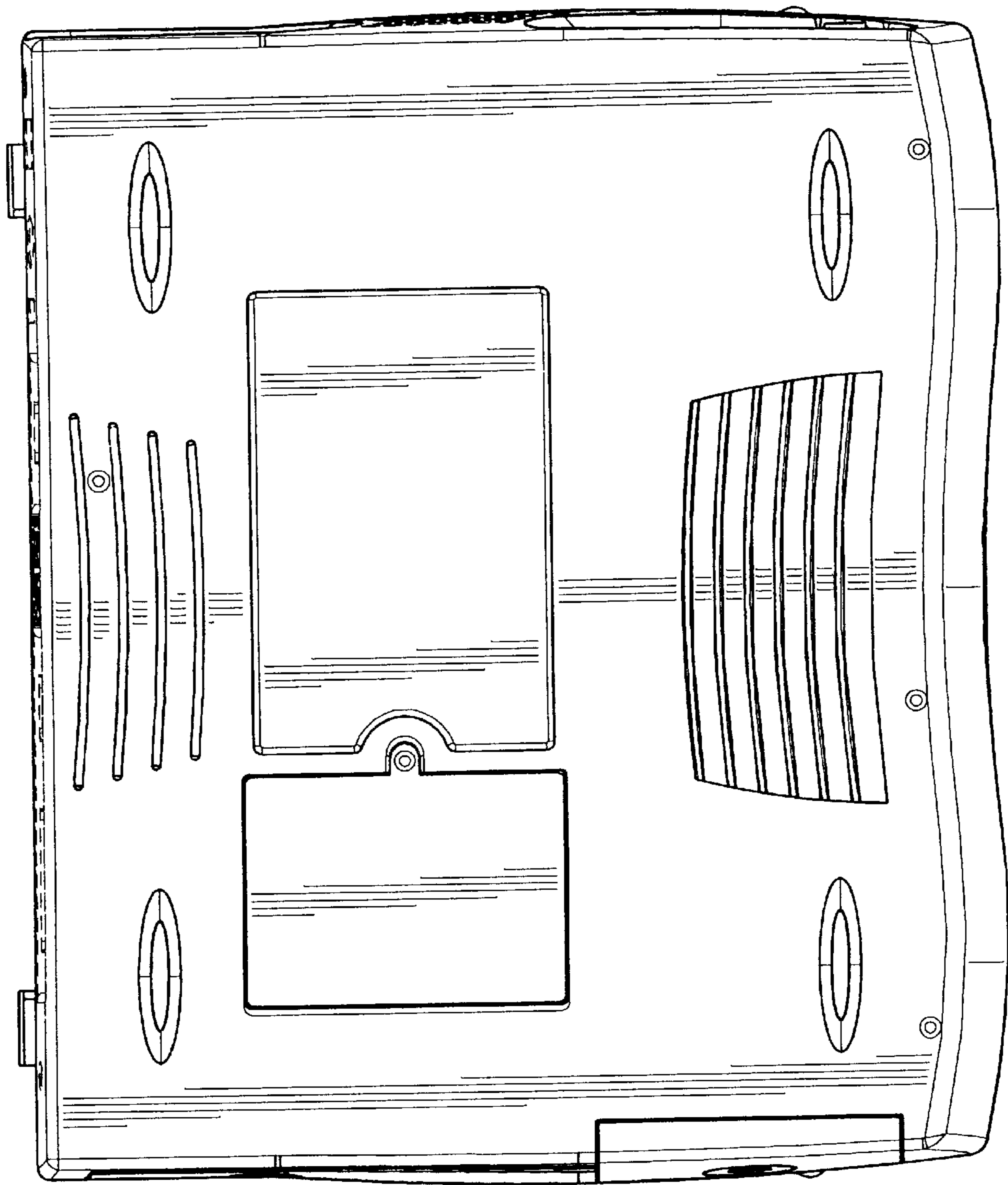


FIG. 14