



US00D410441S

# United States Patent [19] Lin

[11] **Patent Number: Des. 410,441**  
[45] **Date of Patent: \*\* Jun. 1, 1999**

[54] **COMPUTER**

D. 383,733 9/1997 Miki ..... D14/100  
D. 384,338 9/1997 Oates et al. .... D14/100  
D. 389,462 1/1998 Johns et al. .... D14/100

[75] Inventor: **Horng-Jaan Lin**, Lawrenceville, Ga.

[73] Assignee: **NCR Corporation**, Dayton, Ohio

[\*\*] Term: **14 Years**

*Primary Examiner*—Freda Nunn  
*Attorney, Agent, or Firm*—Paul W. Martin

[21] Appl. No.: **29/090,610**

[22] Filed: **Jul. 13, 1998**

### [57] CLAIM

The ornamental design for a computer, as shown and described.

[51] **LOC (6) Cl.** ..... **14-02**

[52] **U.S. Cl.** ..... **D14/100; D14/106**

[58] **Field of Search** ..... D14/100, 101,  
D14/106, 113, 115, 124-129; 345/104,  
156, 168, 173; 361/680-686; 364/708.1

### DESCRIPTION

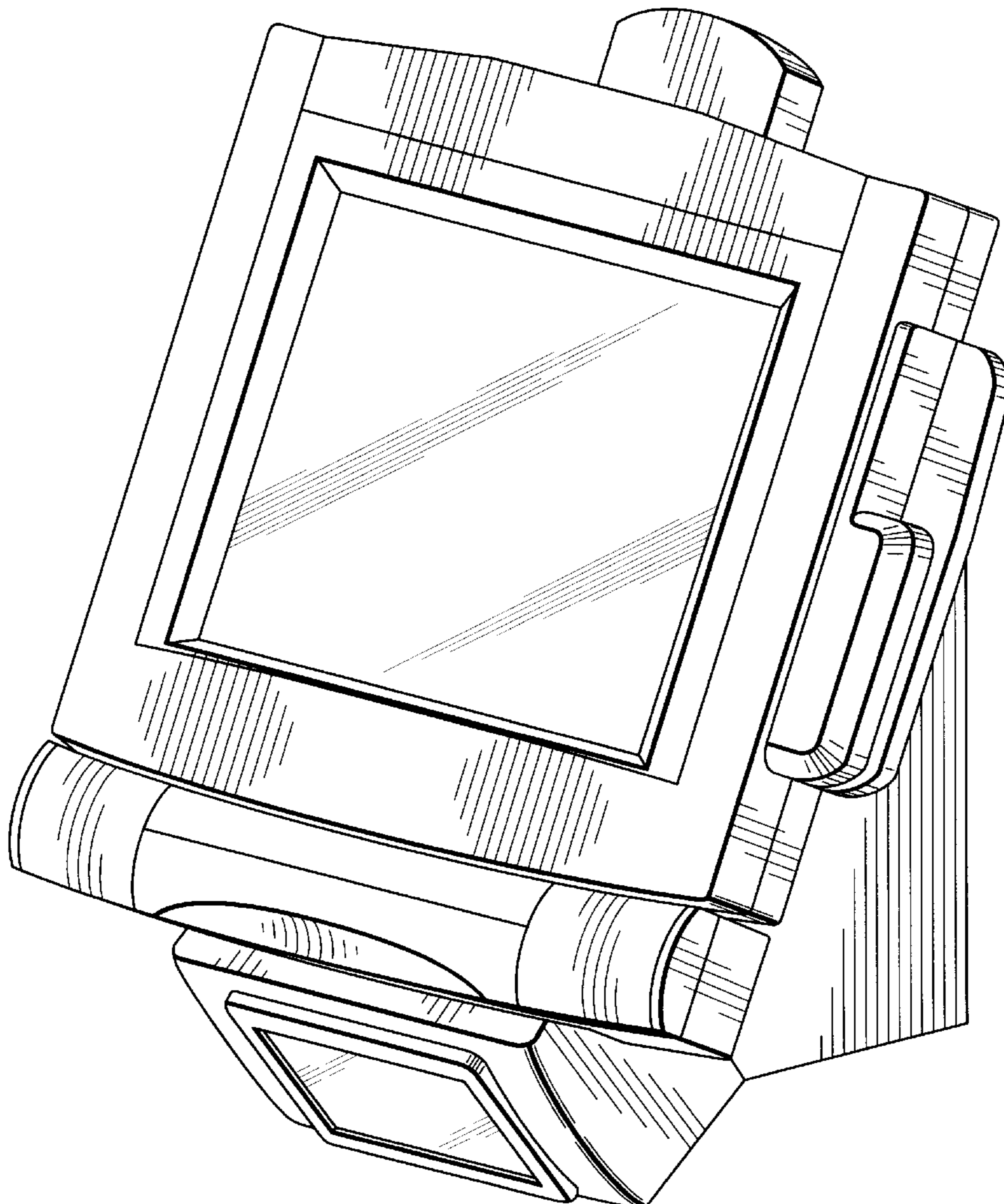
FIG. 1 is a perspective view of the computer;  
FIG. 2 is a front view;  
FIG. 3 is a back view;  
FIG. 4 is a left side view;  
FIG. 5 is a right side view; and,  
FIG. 6 is a top view.

### [56] References Cited

#### U.S. PATENT DOCUMENTS

D. 383,444 9/1997 Han ..... D14/100

**1 Claim, 6 Drawing Sheets**



**FIG. 1**

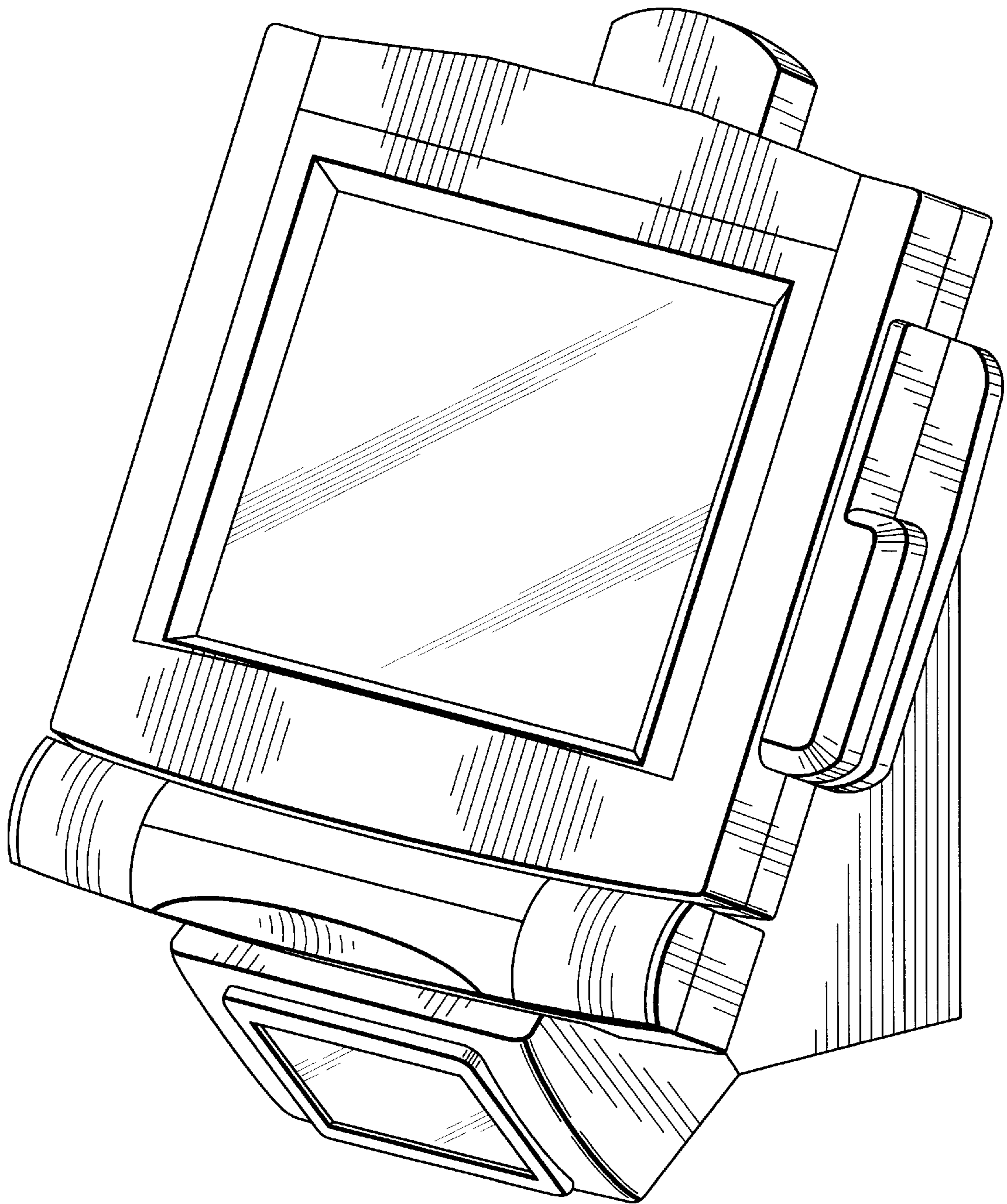
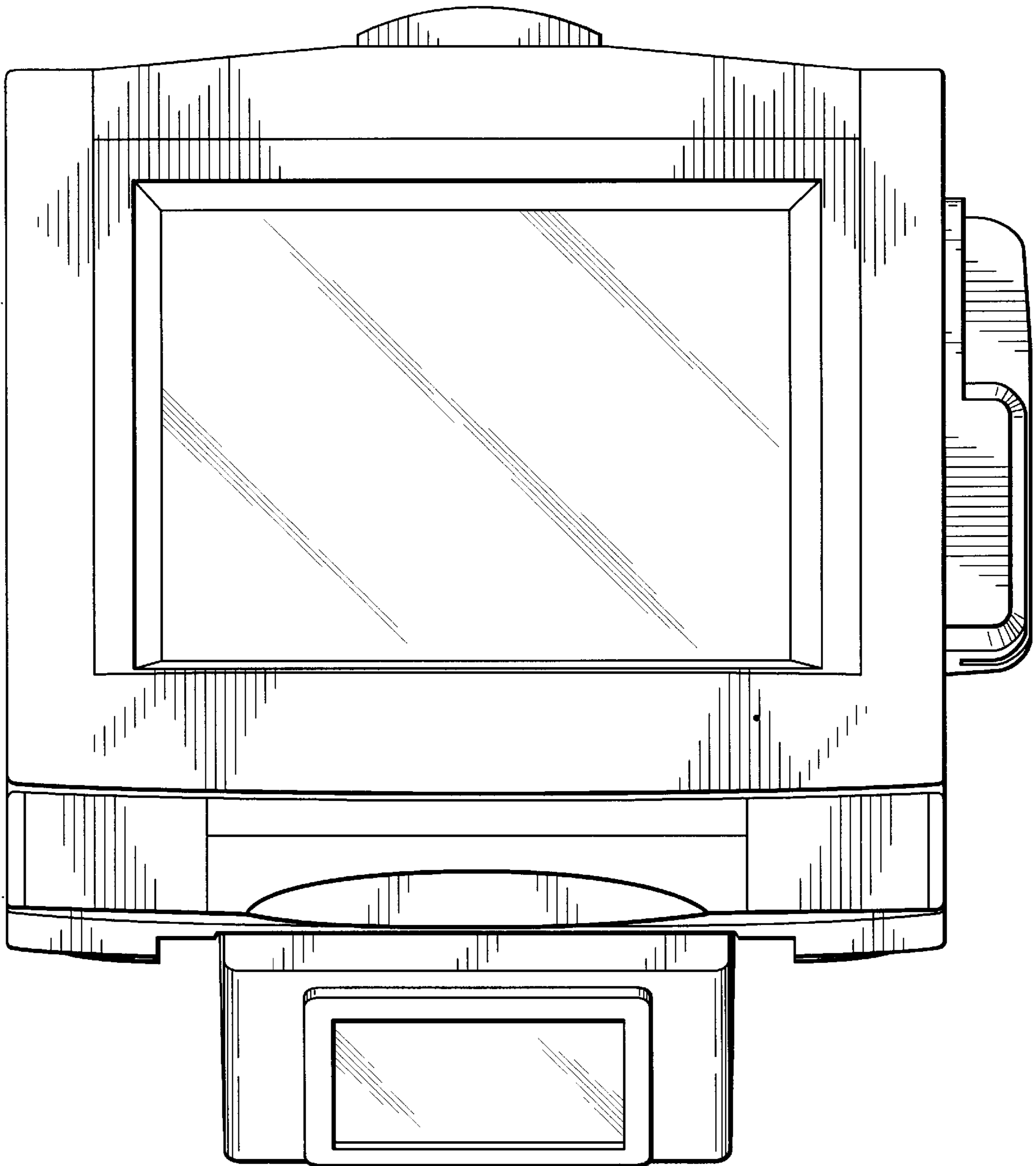
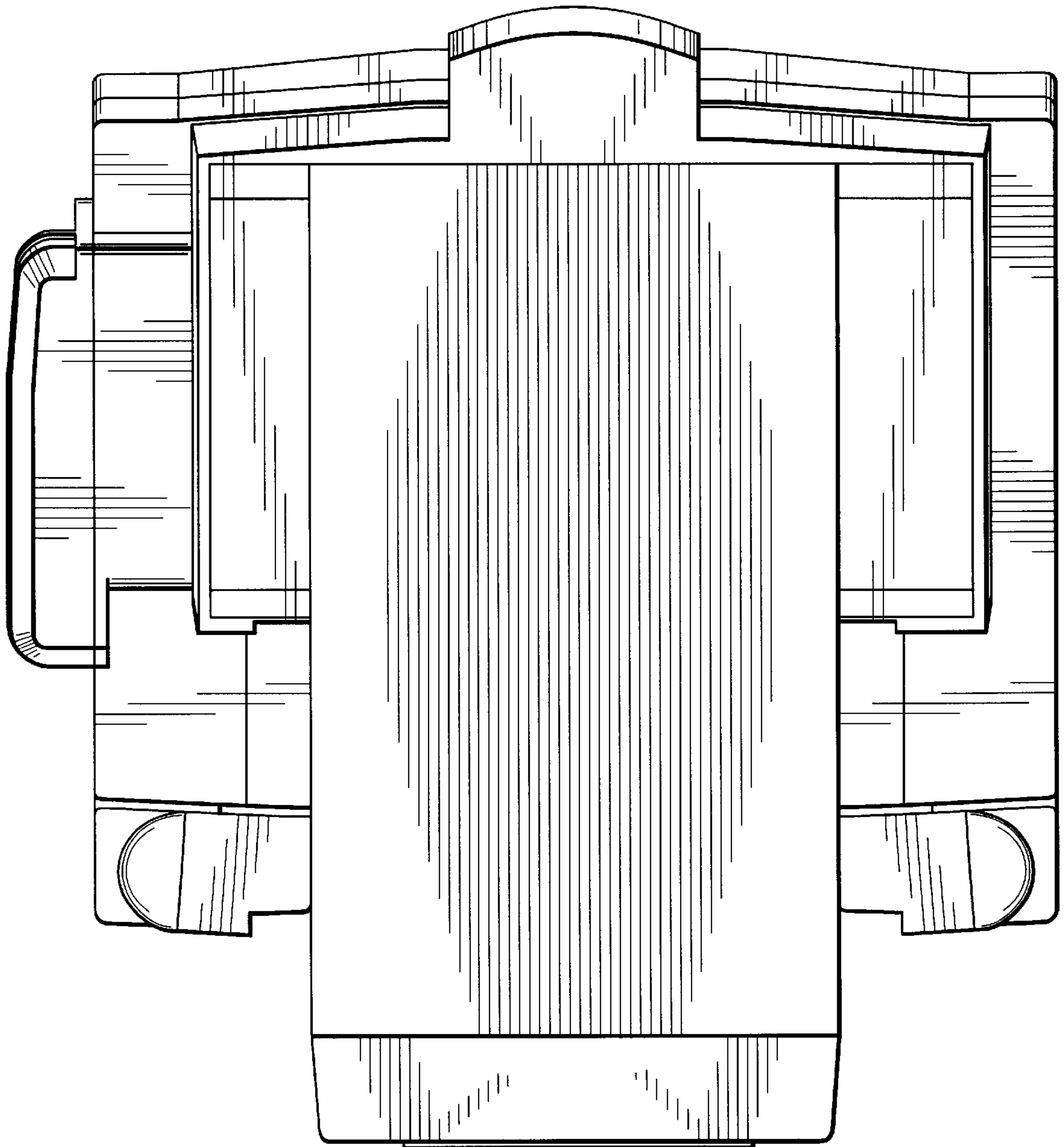


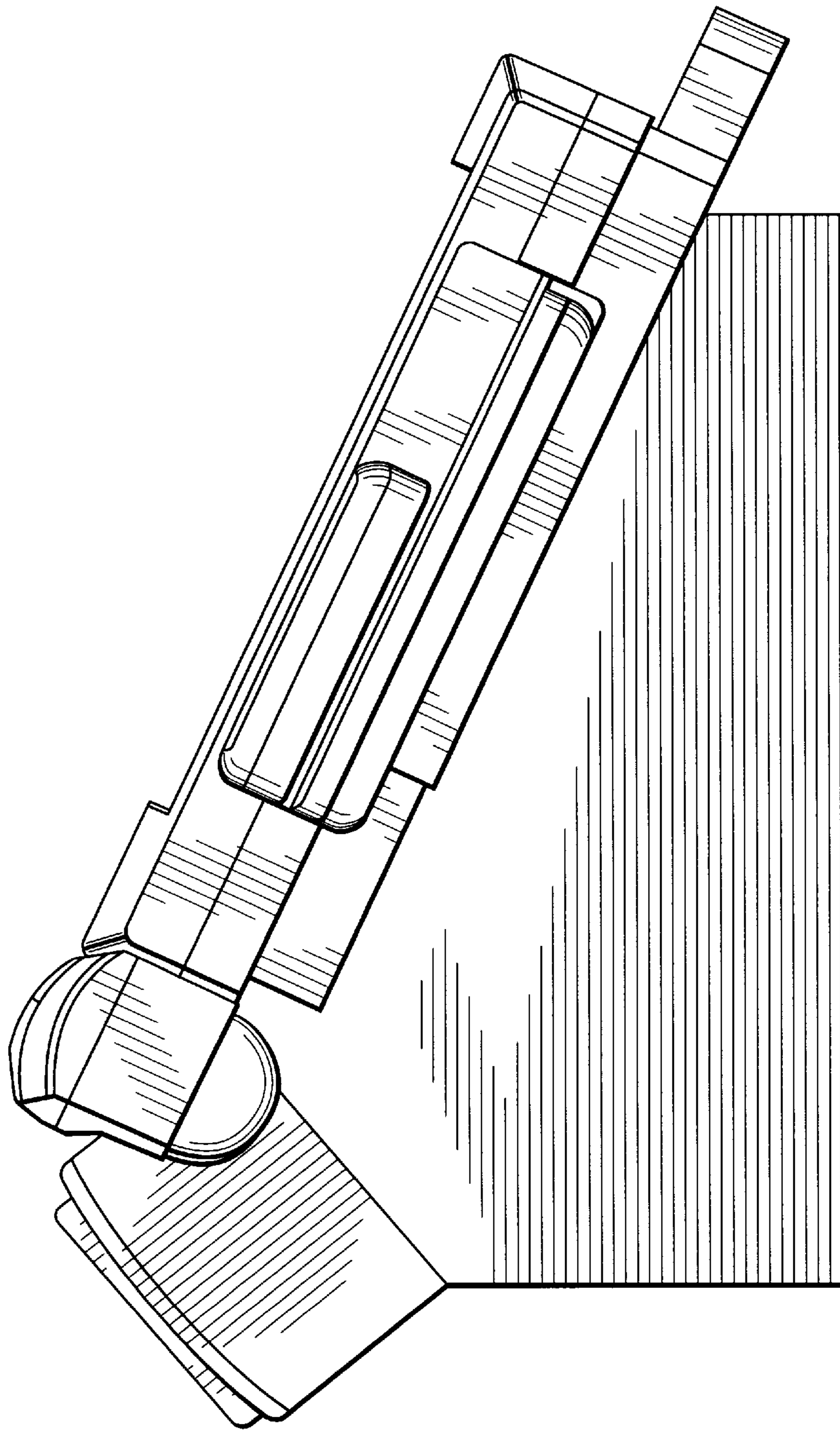
FIG. 2



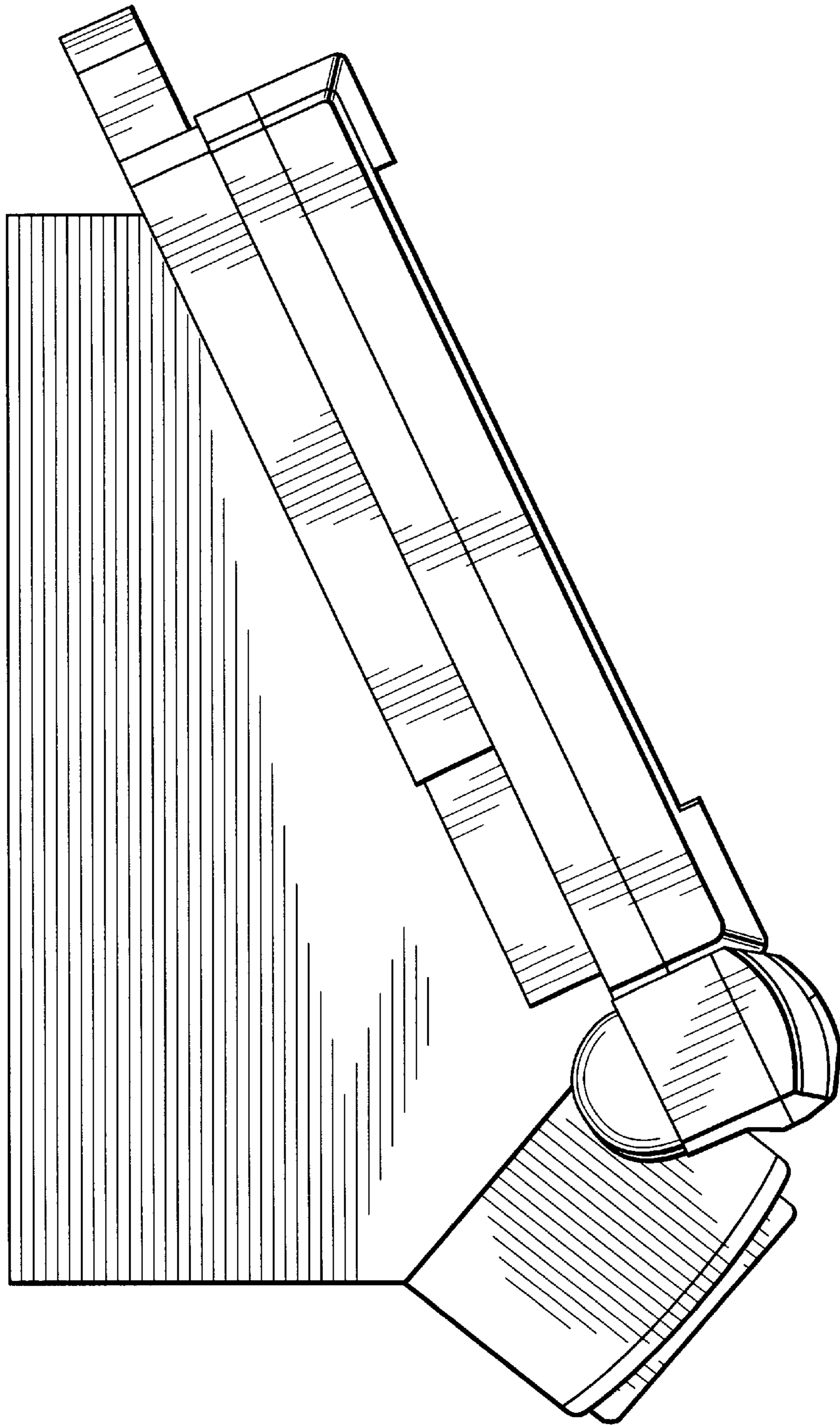
**FIG. 3**



**FIG. 4**



**FIG. 5**



**FIG. 6**

