



US00D410439S

United States Patent [19] Shibata

[11] Patent Number: **Des. 410,439**
[45] Date of Patent: **** Jun. 1, 1999**

[54] **ELECTRONIC COMPUTER**
[75] Inventor: **Yuuki Shibata**, Tokyo, Japan
[73] Assignee: **Kabushiki Kaisha Toshiba**, Kawasaki, Japan
[**] Term: **14 Years**

867462 4/1993 Japan .
916294 1/1995 Japan .
916298 1/1995 Japan .
972023 1/1997 Japan .
972576 1/1997 Japan .
972023-1 5/1997 Japan .

[21] Appl. No.: **29/087,597**
[22] Filed: **May 6, 1998**

OTHER PUBLICATIONS

Denpa Shinbun (News Paper), PC Panel Top/ViViDY, Epson Hanbai, Sep. 1997.
"The Future is Here", Booth Guide FOSE '94, p. 4, 1994.

[30] **Foreign Application Priority Data**
Jan. 22, 1998 [JP] Japan 10-1186

Primary Examiner—Freda Nunn
Attorney, Agent, or Firm—Banner & Witcoff, Ltd.

[51] **LOC (6) Cl.** **14-02**
[52] **U.S. Cl.** **D14/100; D14/113; D14/126**
[58] **Field of Search** D14/100, 101, D14/106, 113, 124-129; D18/1, 2, 7; 345/104, 156, 168, 173; 361/680-686; 364/708.1

[57] CLAIM

The ornamental design for an electronic computer, as shown and described.

[56] References Cited

U.S. PATENT DOCUMENTS

D. 286,533 11/1986 Felix et al. D14/106
D. 336,637 6/1993 Abe et al. D14/106
D. 343,168 1/1994 Morisaki .
D. 357,912 5/1995 Martin .
D. 363,467 10/1995 Takahashi D14/100
D. 383,733 9/1997 Mieki D14/100

DESCRIPTION

FIG. 1 is a top, front and right side perspective view of an electronic computer showing my new design;
FIG. 2 is a front elevational view thereof;
FIG. 3 is a top plan view thereof;
FIG. 4 is a rear elevational view thereof;
FIG. 5 is a left side elevational view thereof;
FIG. 6 is a right side elevational view thereof; and,
FIG. 7 is a bottom plan view thereof.

FOREIGN PATENT DOCUMENTS

842277 7/1992 Japan .

1 Claim, 3 Drawing Sheets

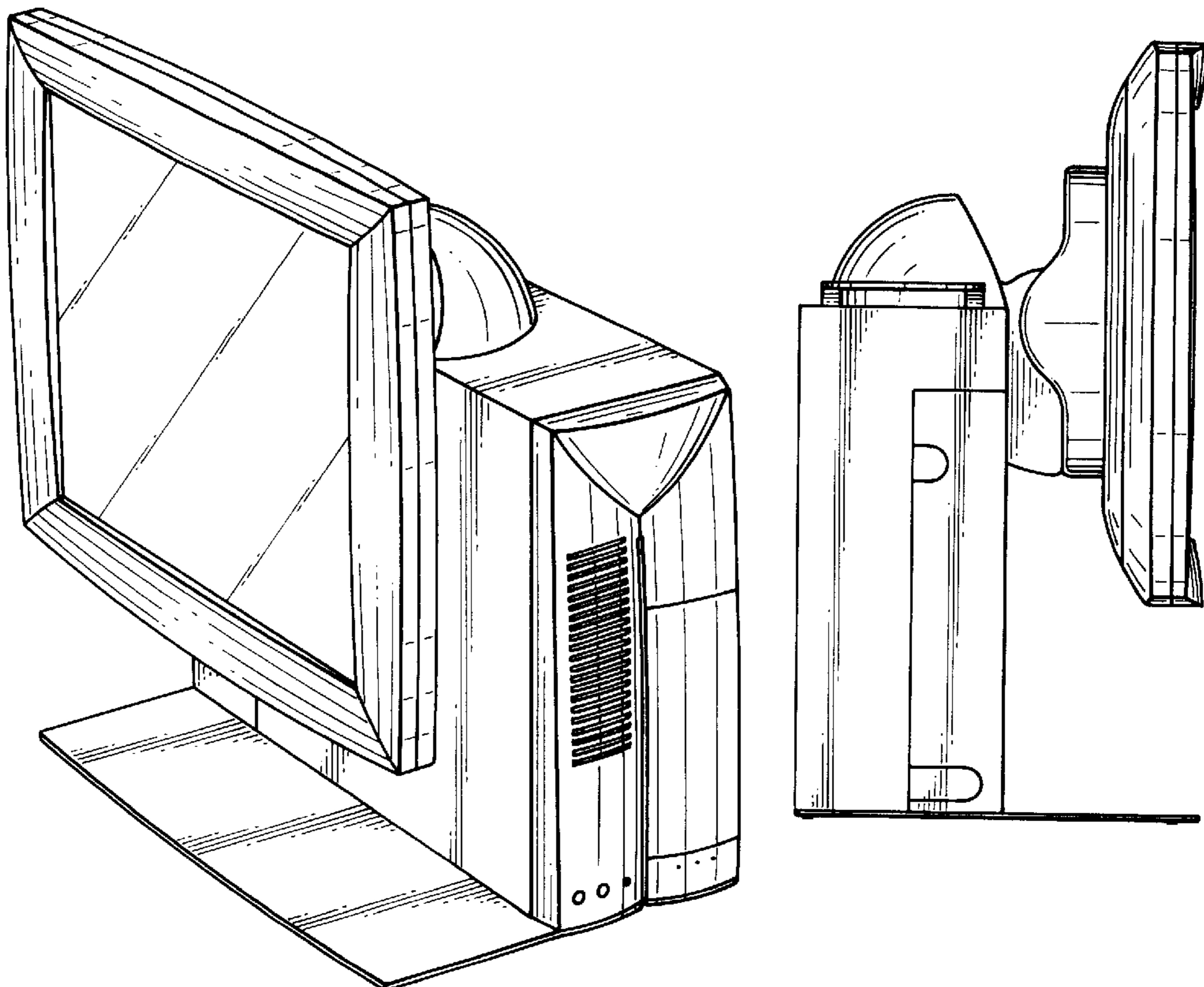


FIG. 1

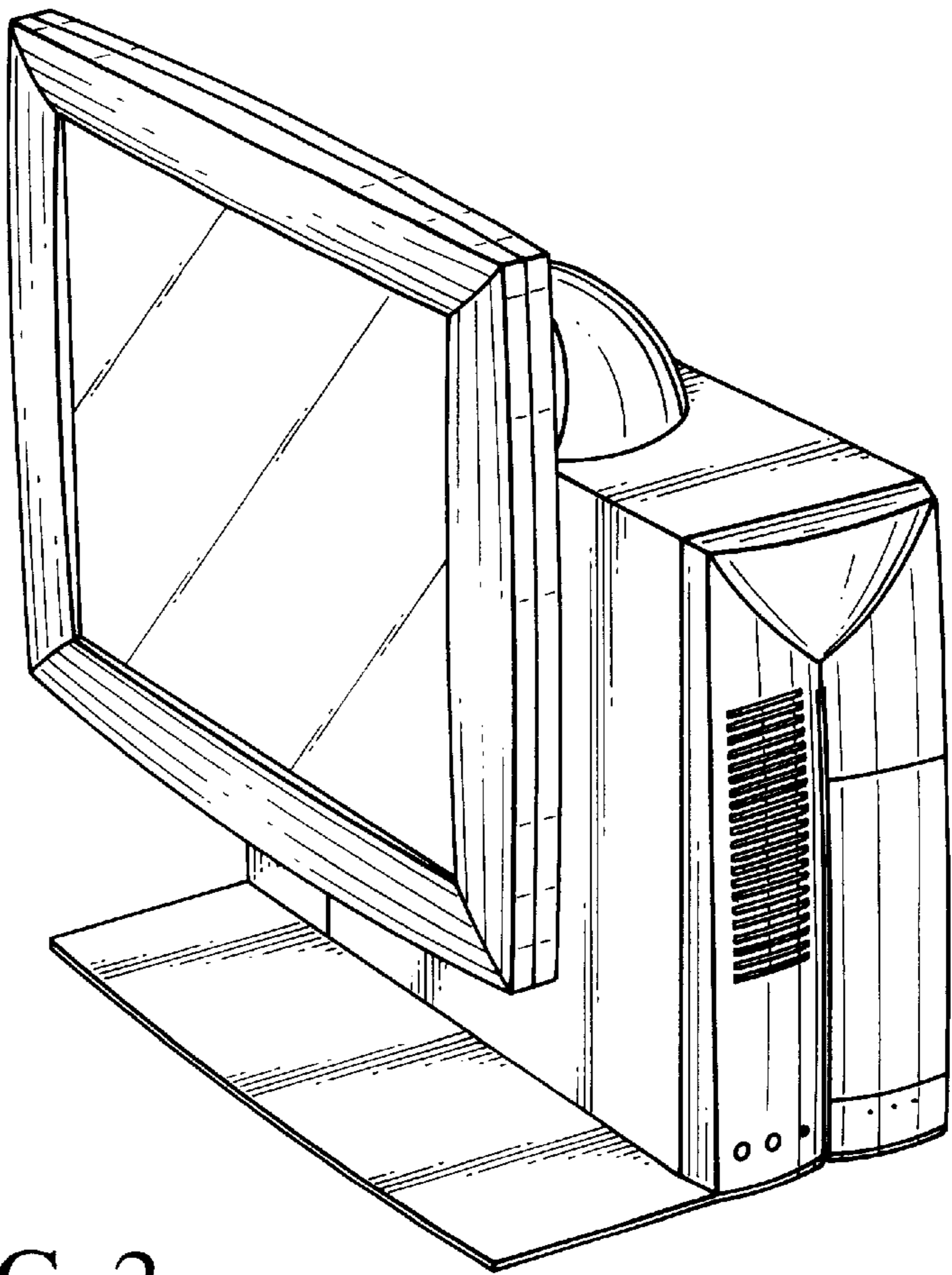


FIG. 2

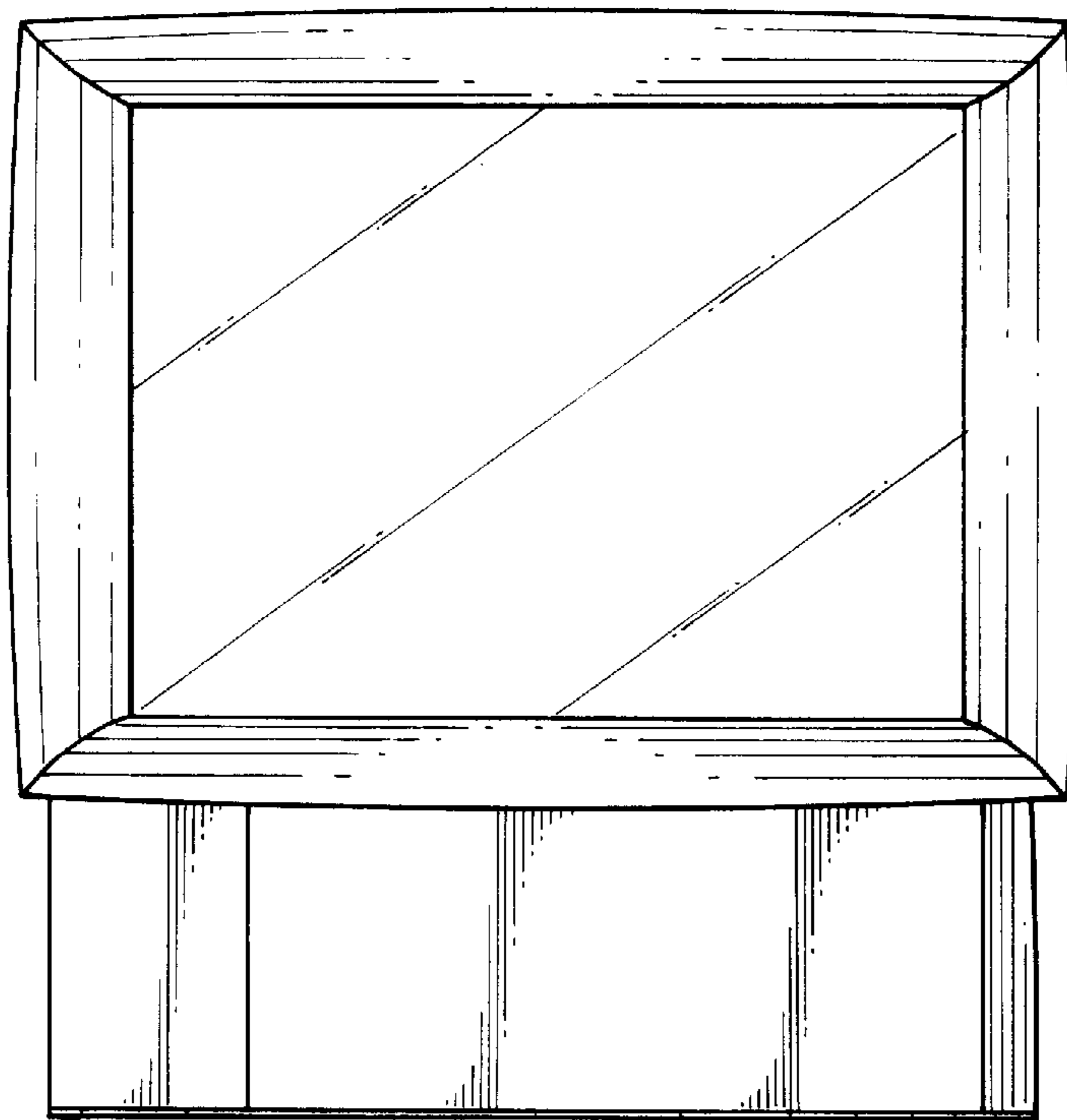


FIG. 3

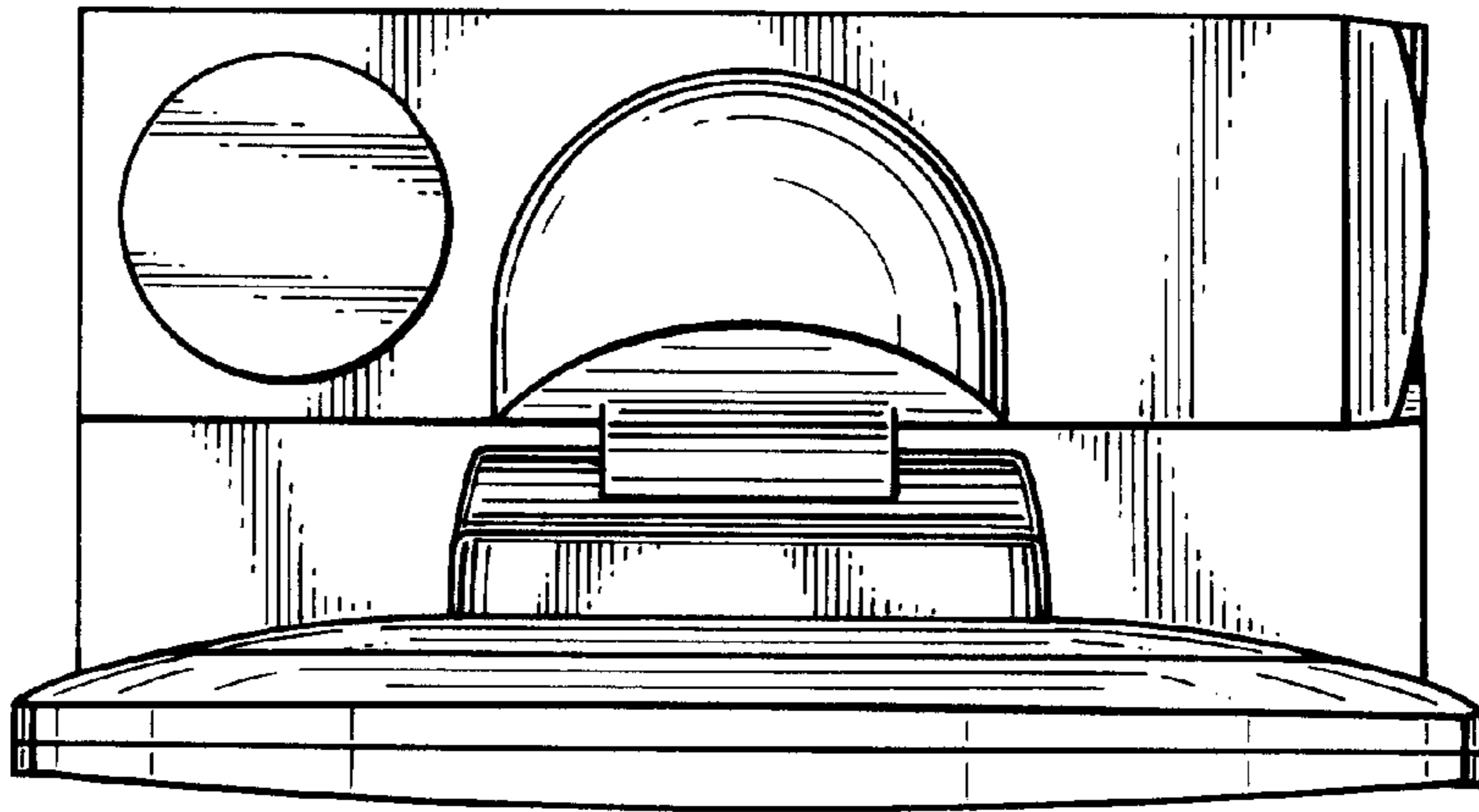


FIG. 4

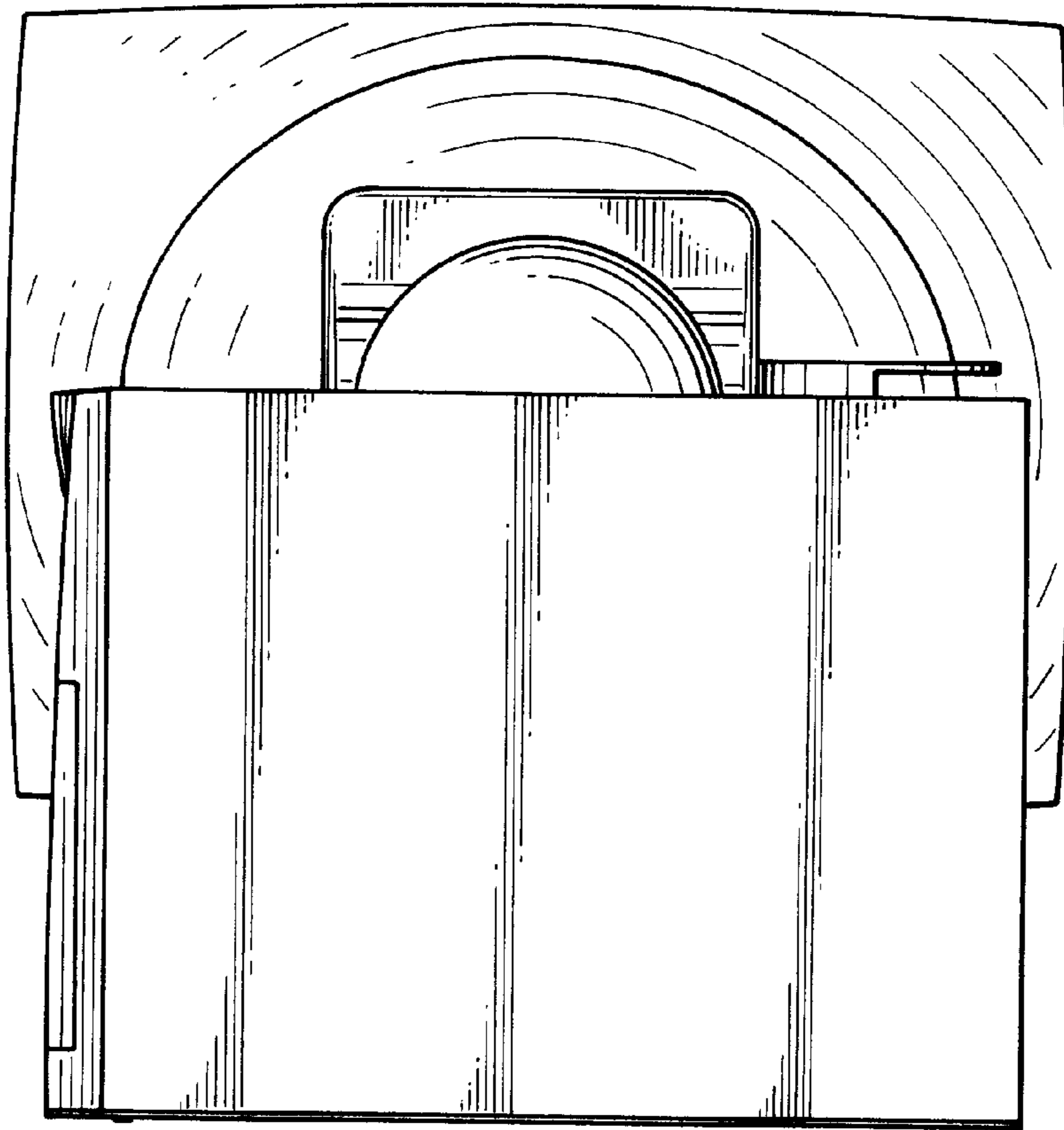


FIG. 5

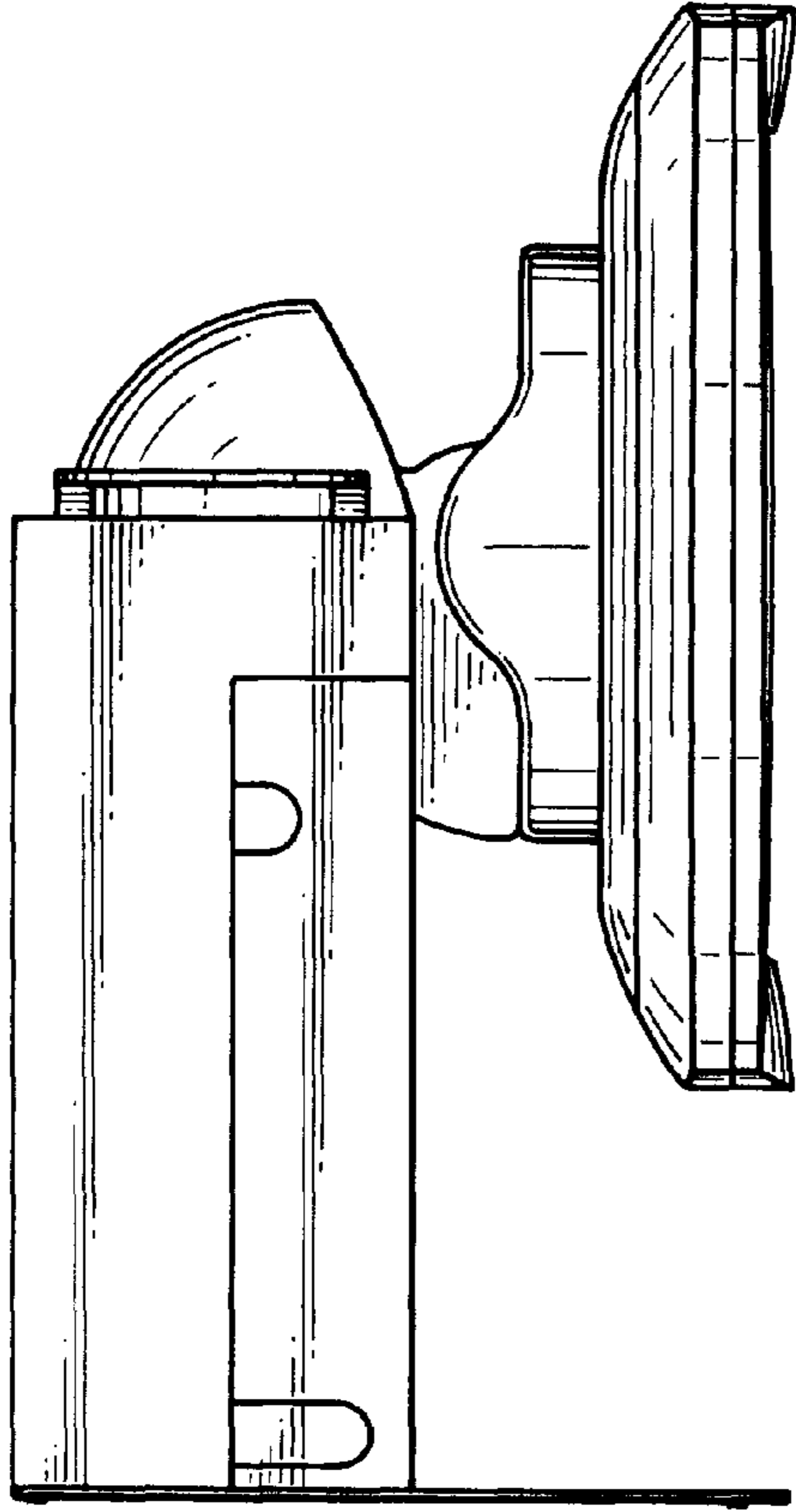


FIG. 6

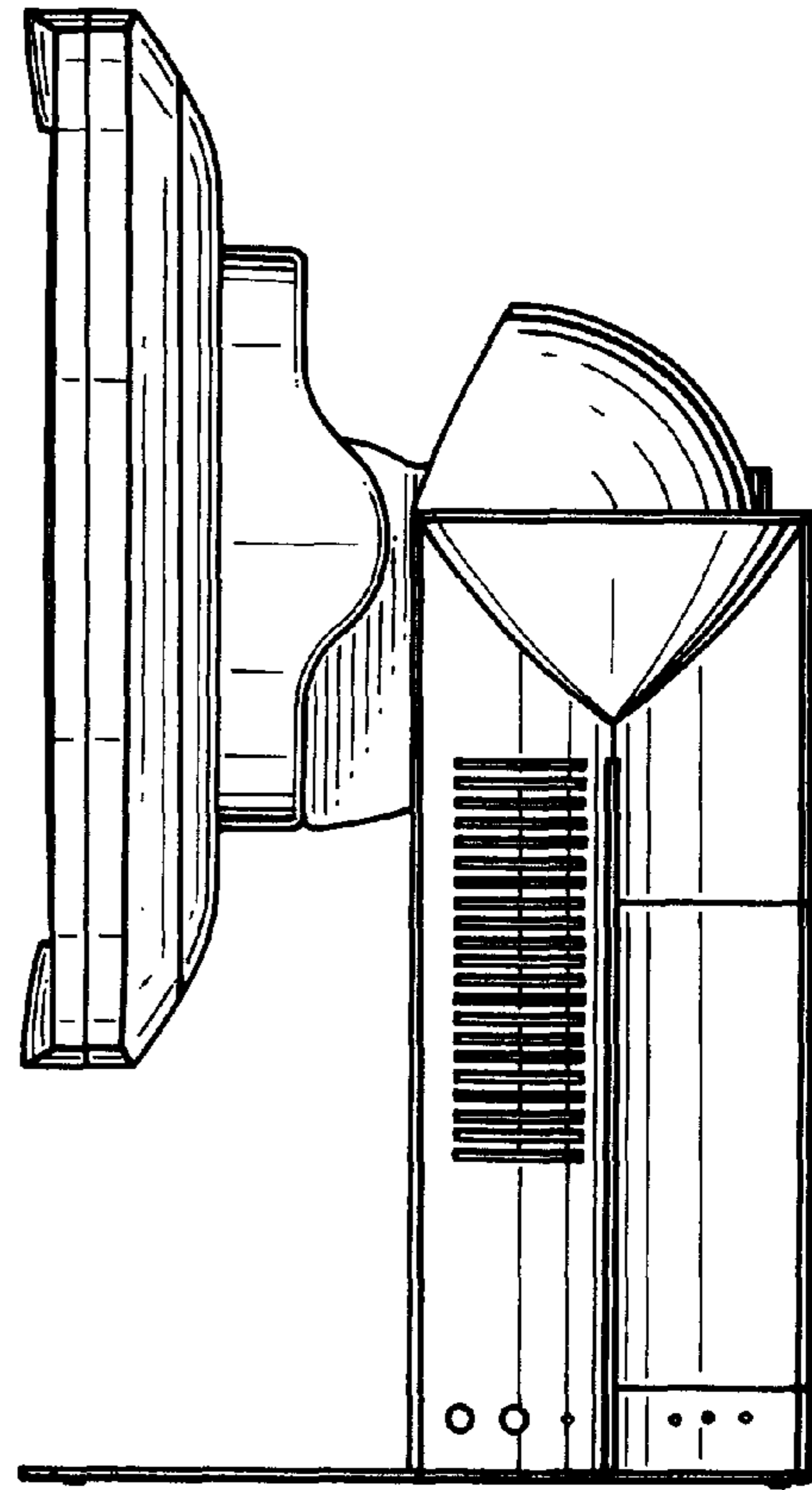


FIG. 7

