



US00D410434S

United States Patent [19]
Wu

[11] **Patent Number: Des. 410,434**
[45] **Date of Patent: ** Jun. 1, 1999**

[54] **ELECTRICAL CONNECTOR**

5,700,164 12/1997 Weidler et al. 439/607

[75] Inventor: **Kun-Tsan Wu, Tu-Chen, Taiwan**

Primary Examiner—Alan P. Douglas
Assistant Examiner—Lavone D. Tabor

[73] Assignee: **Hon Hai Precision Ind. Co., Ltd.,
Taipei Hsien, Taiwan**

[57] **CLAIM**

[**] Term: **14 Years**

The ornamental design for an electrical connector, as shown.

[21] Appl. No.: **29/074,795**

DESCRIPTION

[22] Filed: **Aug. 8, 1997**

FIG. 1 is a perspective view of an electrical connector showing my new design;

[51] **LOC (6) Cl.** **13-03**

FIG. 2 is a front elevational view thereof;

[52] **U.S. Cl.** **D13/147**

FIG. 3 is a rear elevational view thereof;

[58] **Field of Search** D13/133, 146,
D13/147; 439/95, 108, 188, 607-610, 676

FIG. 4 is a left side elevational view thereof;

FIG. 5 is a right side elevational view thereof;

[56] **References Cited**

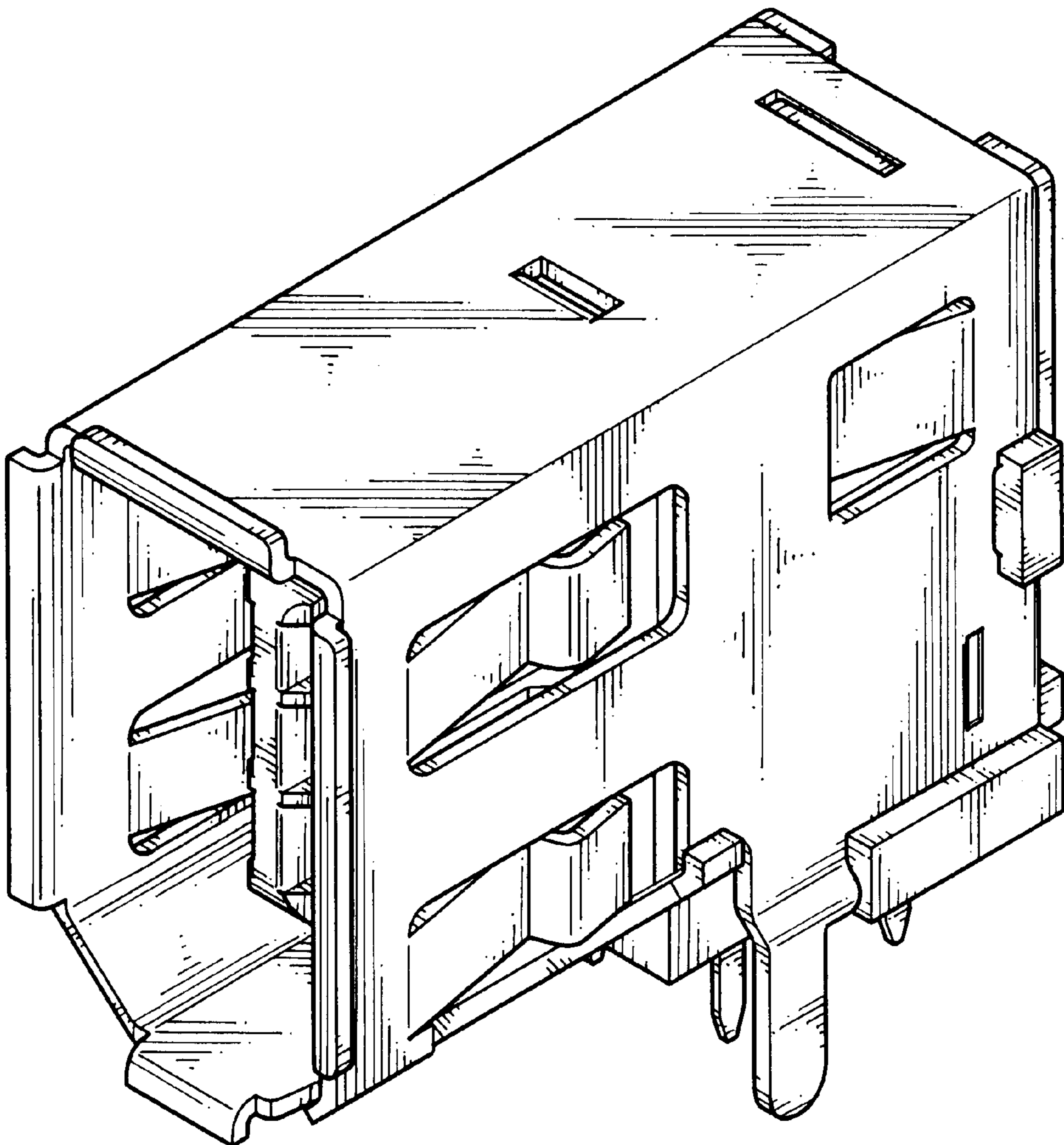
FIG. 6 is a top plan view thereof; and,

FIG. 7 is a bottom plan view thereof.

U.S. PATENT DOCUMENTS

D. 345,343 3/1994 Nakamura D13/147

1 Claim, 7 Drawing Sheets



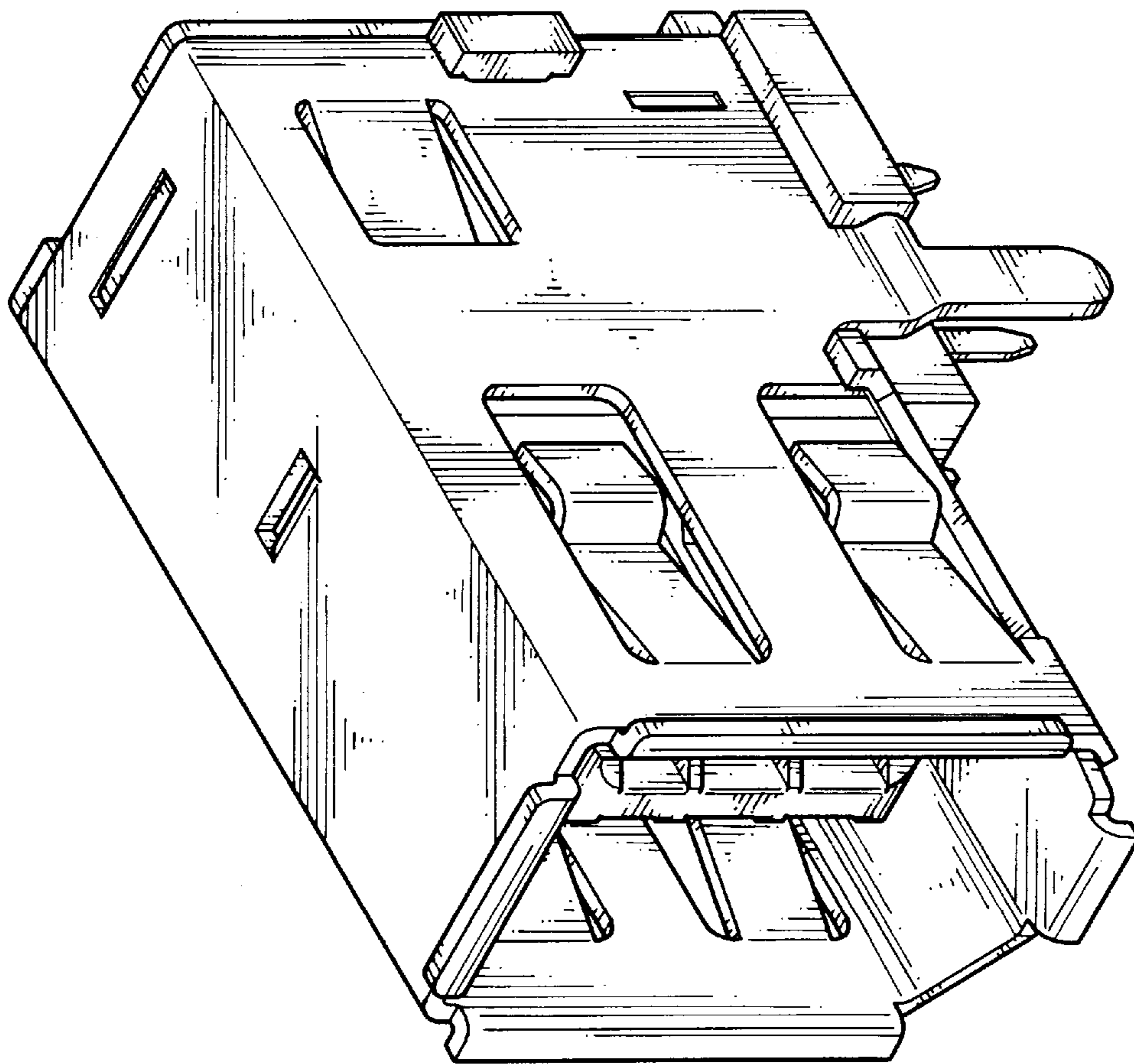


FIG. 1

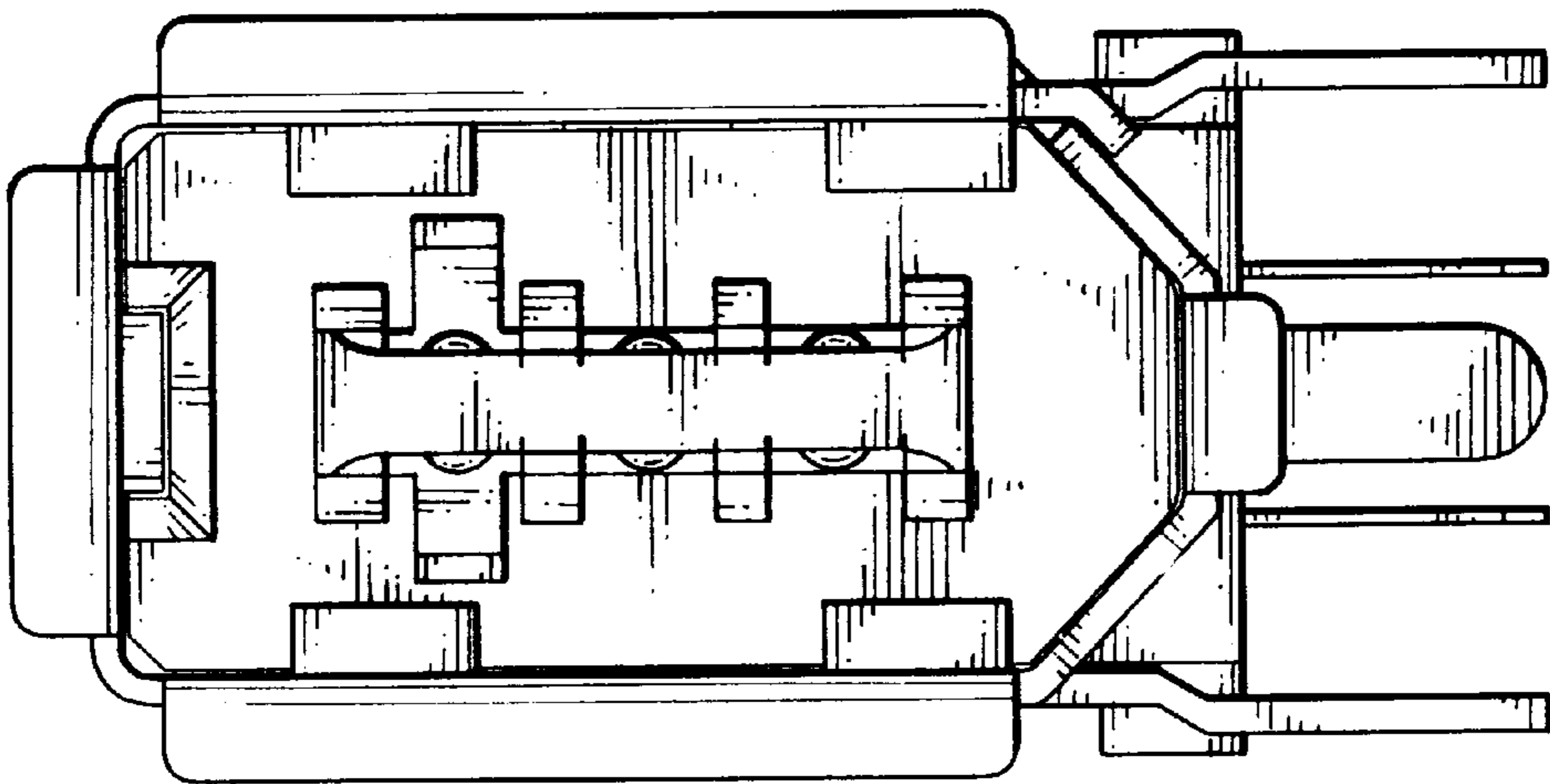


FIG. 2

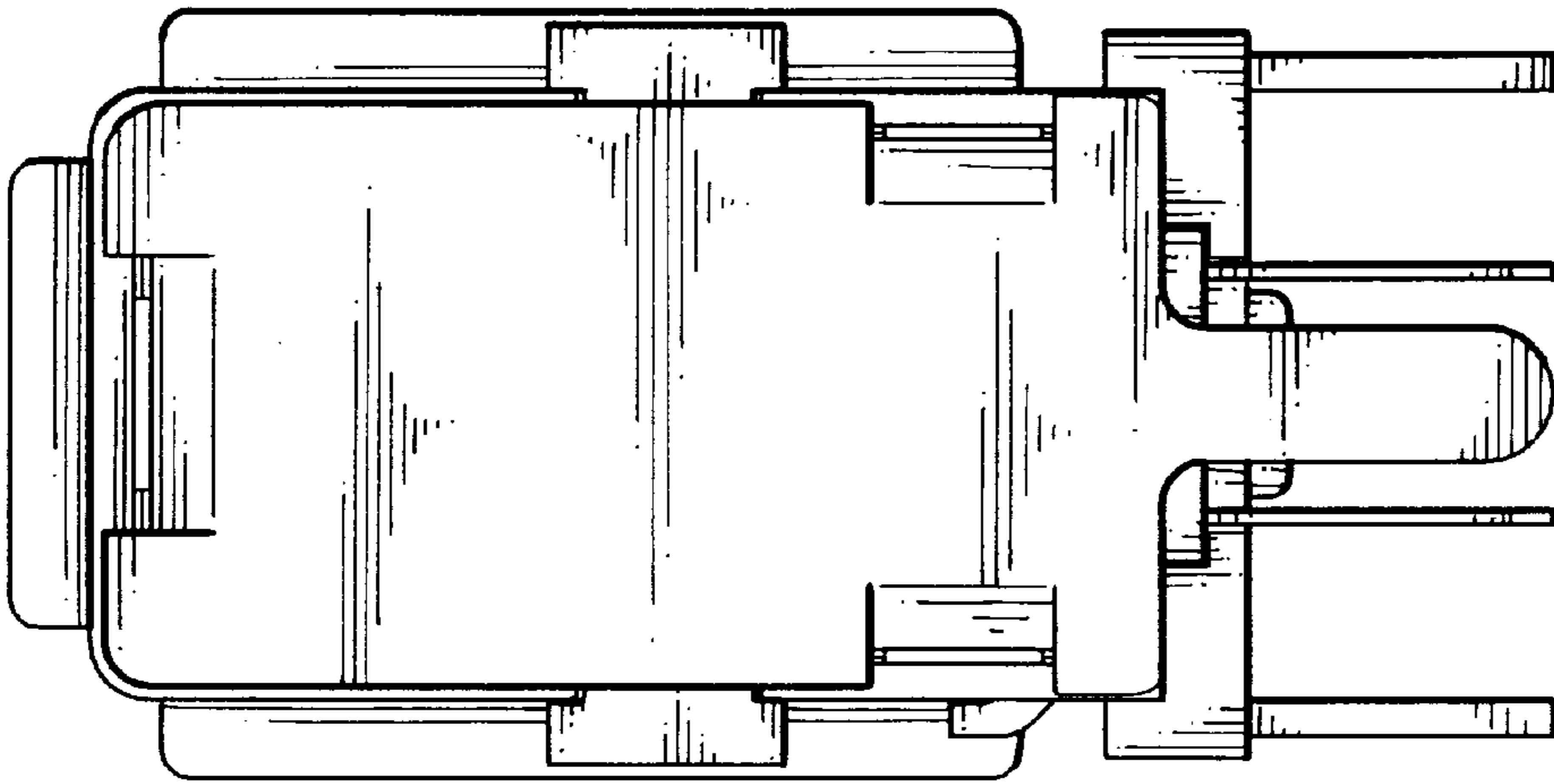


FIG. 3

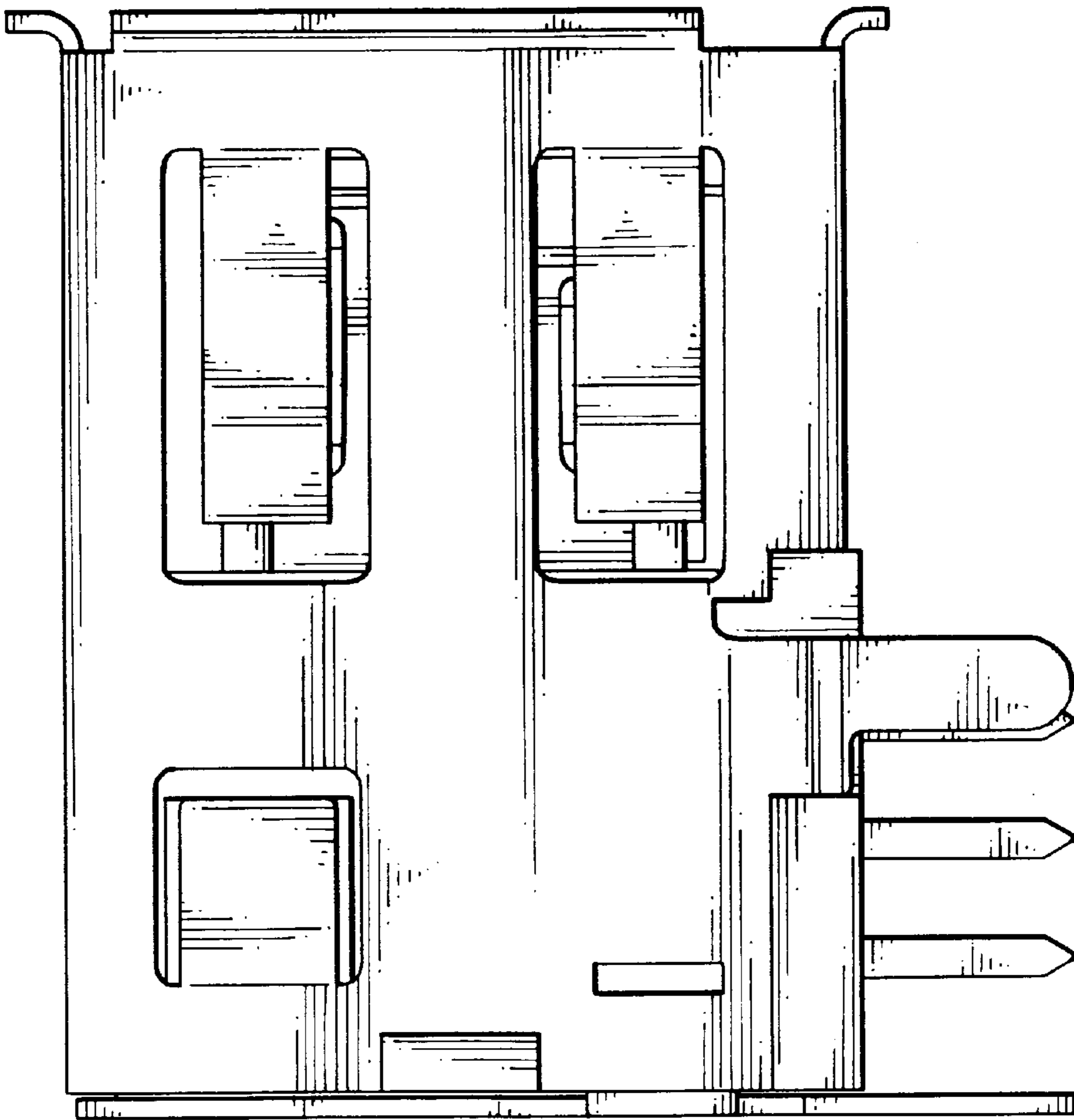


FIG. 4

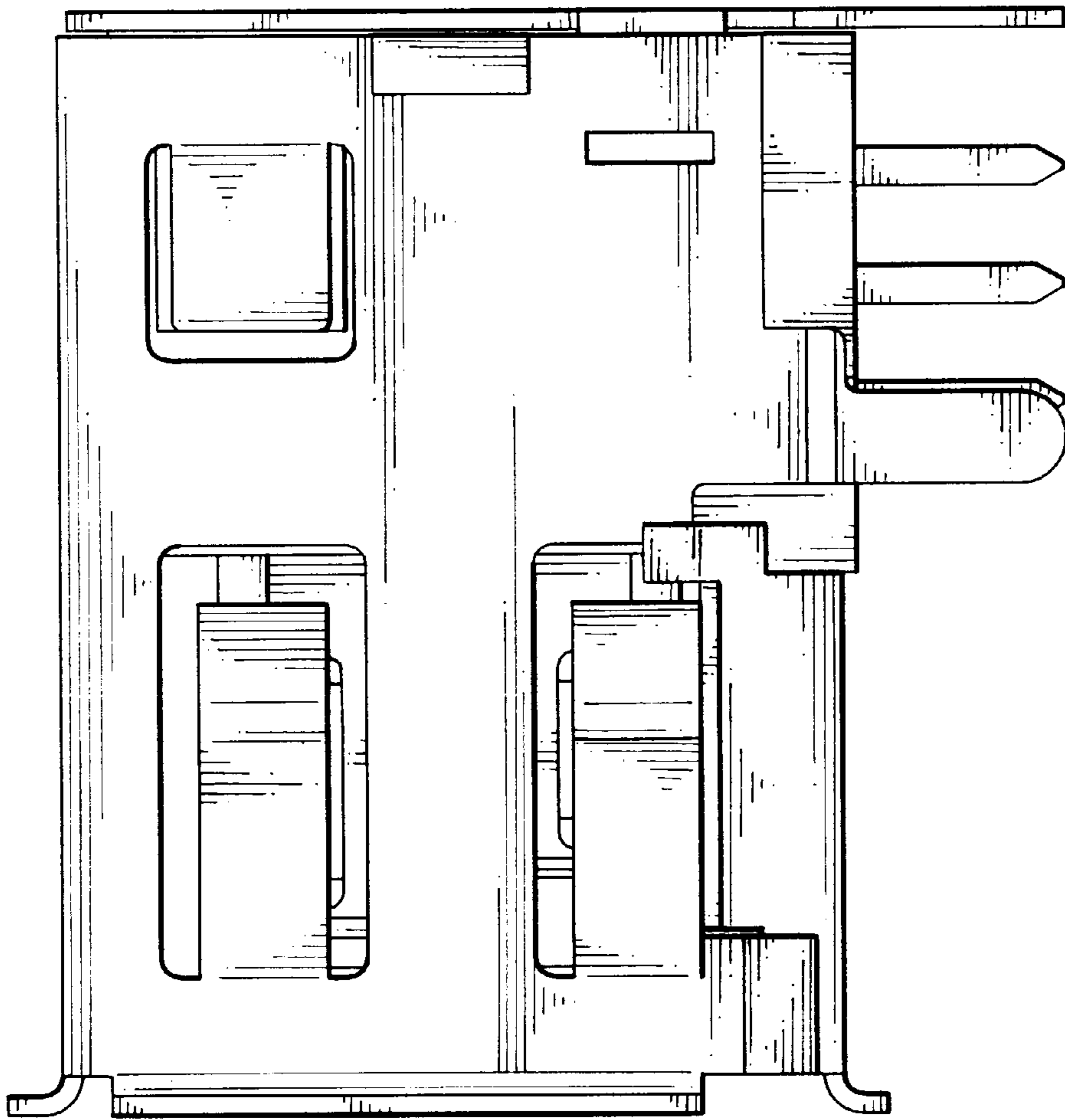


FIG. 5

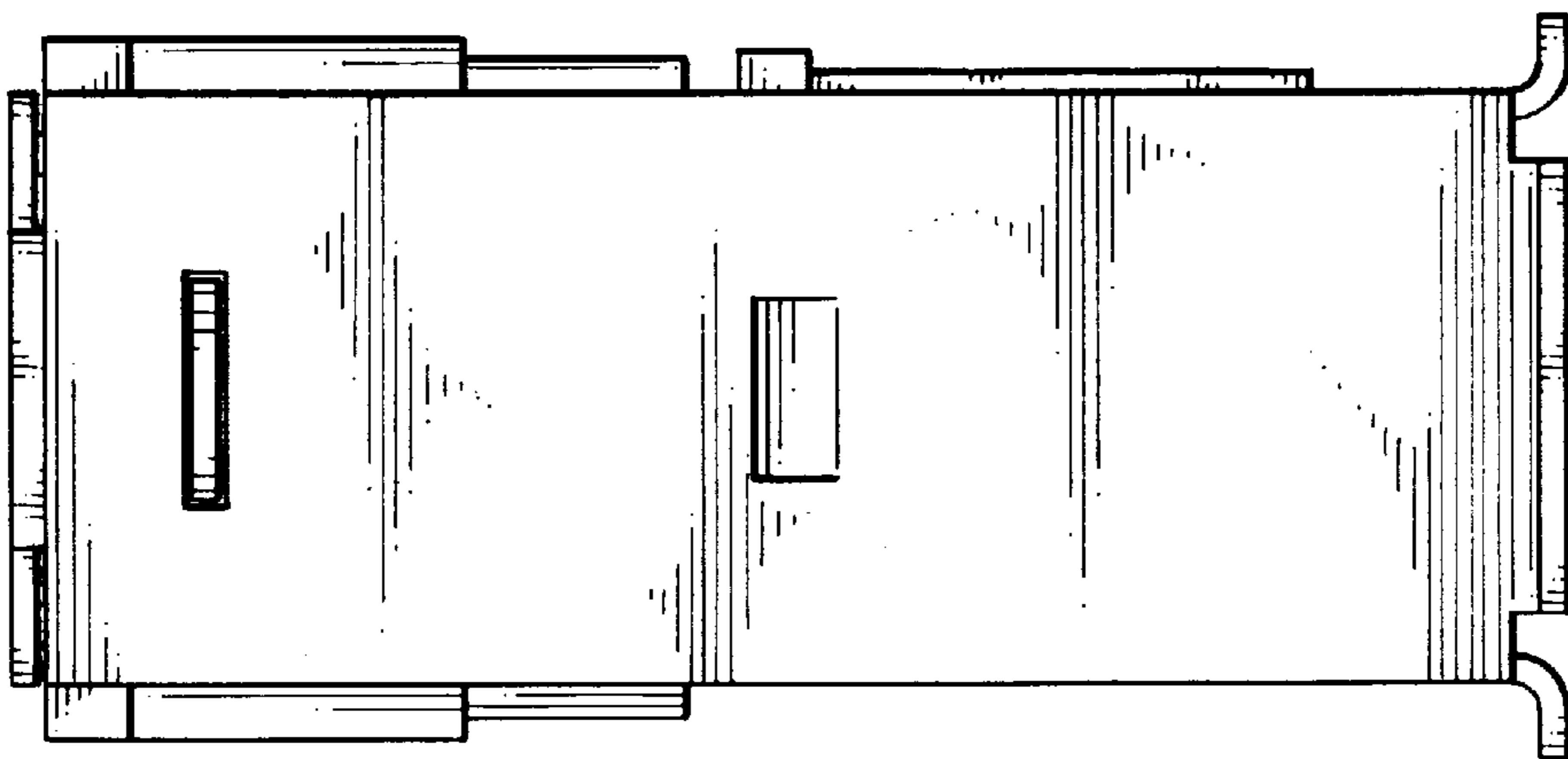


FIG. 6

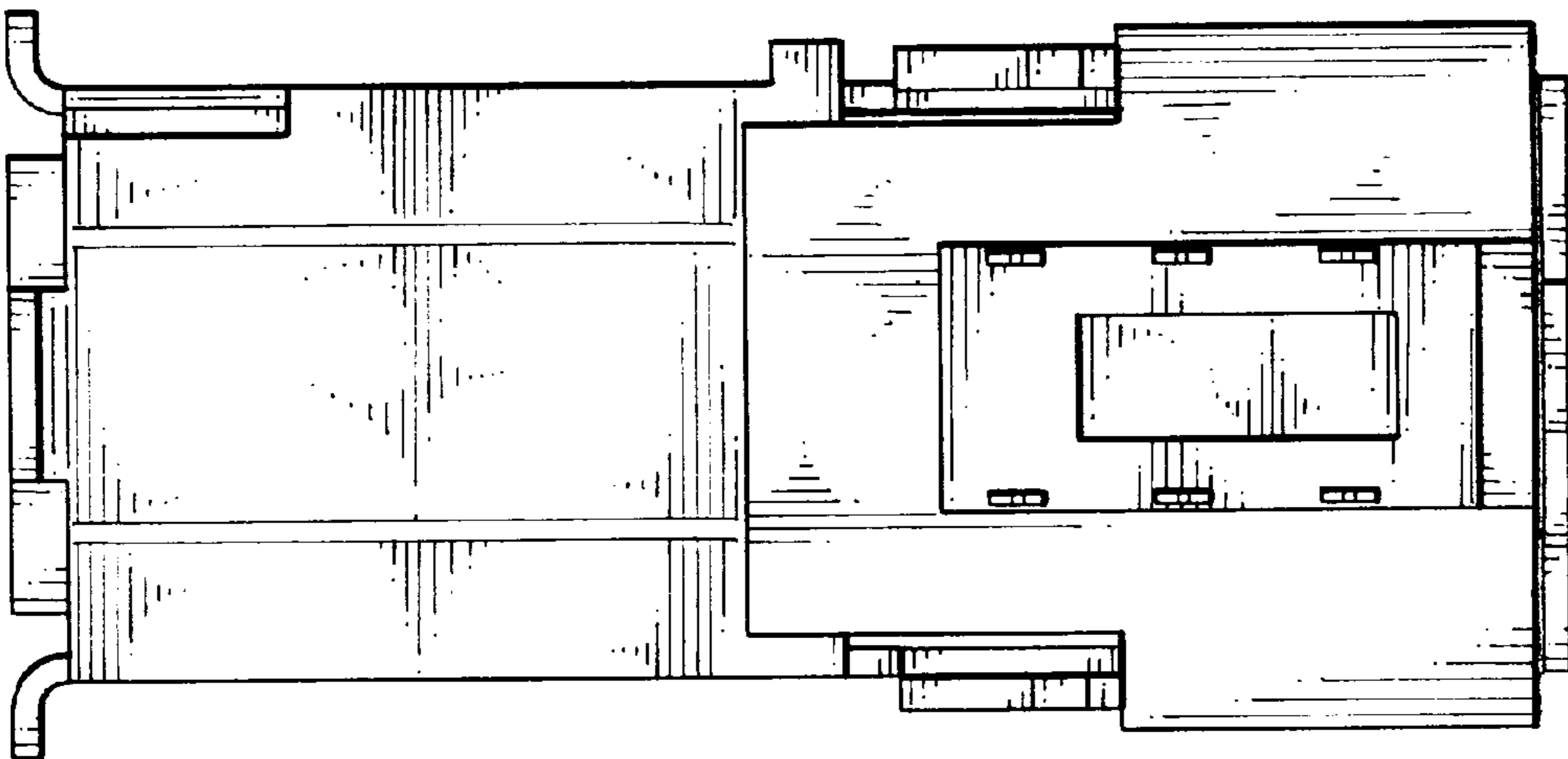


FIG. 7