



US00D410432S

United States Patent [19] Park

[11] **Patent Number: Des. 410,432**

[45] **Date of Patent: ** Jun. 1, 1999**

[54] **ELECTRICAL ADAPTER**

[75] Inventor: **Chan H. Park**, Pleasant Hill, Calif.

[73] Assignee: **Advanced Mobile Solutions, Inc.**,
Moraga, Calif.

[**] Term: **14 Years**

[21] Appl. No.: **29/092,695**

[22] Filed: **Aug. 25, 1998**

[51] **LOC (6) Cl. 13-02**

[52] **U.S. Cl. D13/110; D13/144**

[58] **Field of Search D13/144, 110;**
439/638, 668; 340/473, 693; 363/141, 132,
146

[56] **References Cited**

U.S. PATENT DOCUMENTS

D. 362,840	10/1995	Larson	D13/144
D. 384,036	9/1997	Janci	D13/144
5,648,712	7/1997	Hahn	320/2
5,844,472	12/1998	Lee	340/693 X

Primary Examiner—Joel Sincavage
Attorney, Agent, or Firm—Adam H. Tachner; Crosby,
Heafey, Roach & May

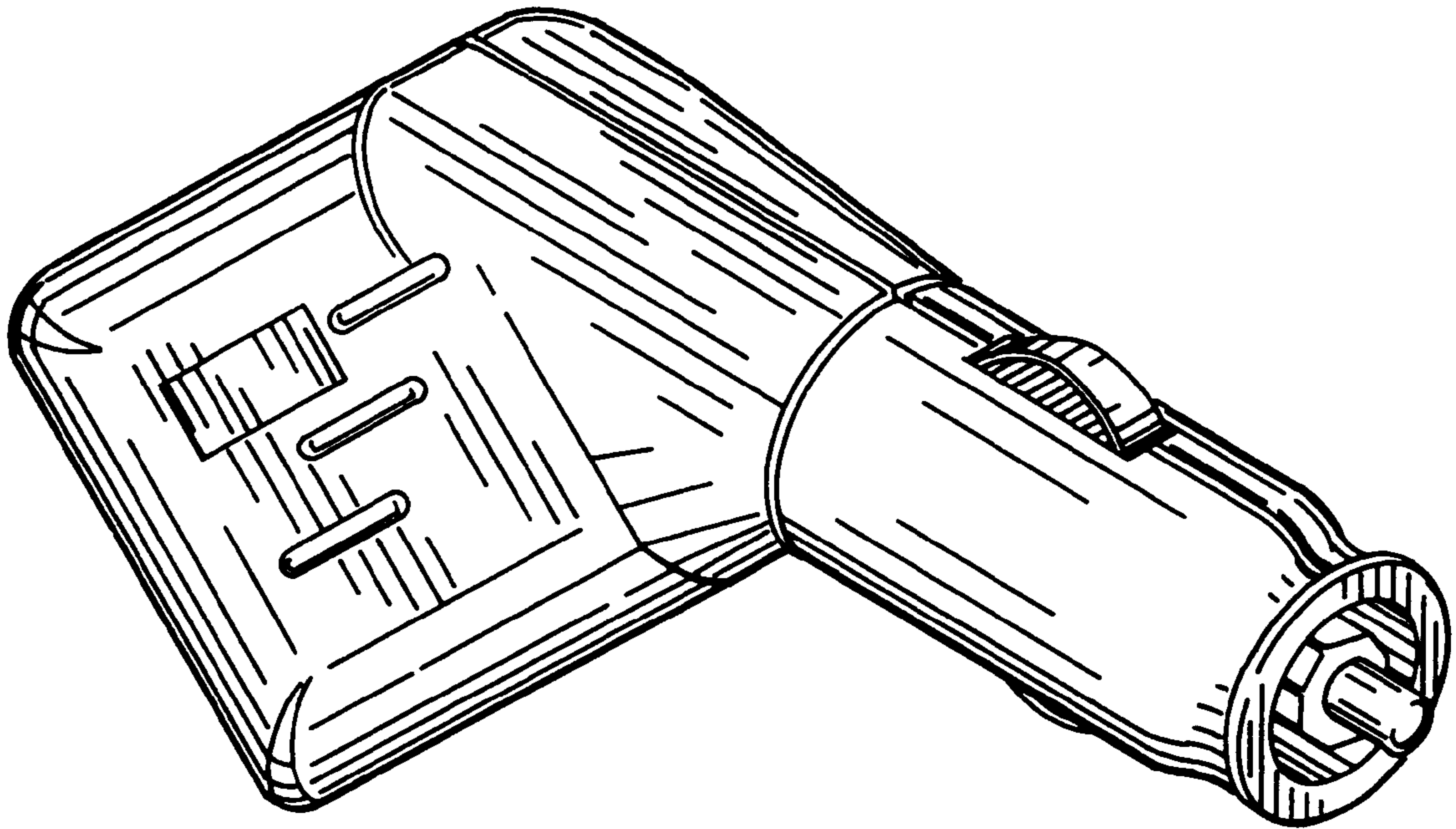
[57] **CLAIM**

The ornamental design for an electrical adapter, as shown and described.

DESCRIPTION

FIG. 1 is a perspective view of a preferred embodiment of the present invention;
FIG. 2 is a top view of a preferred embodiment of the present invention;
FIG. 3 is a bottom view of a preferred embodiment of the present invention;
FIG. 4 is a first side view of a preferred embodiment of the present invention;
FIG. 5 is a second side view of a preferred embodiment of the present invention;
FIG. 6 is a back view of a preferred embodiment of the present invention; and,
FIG. 7 is a front view of a preferred embodiment of the present invention;

1 Claim, 3 Drawing Sheets



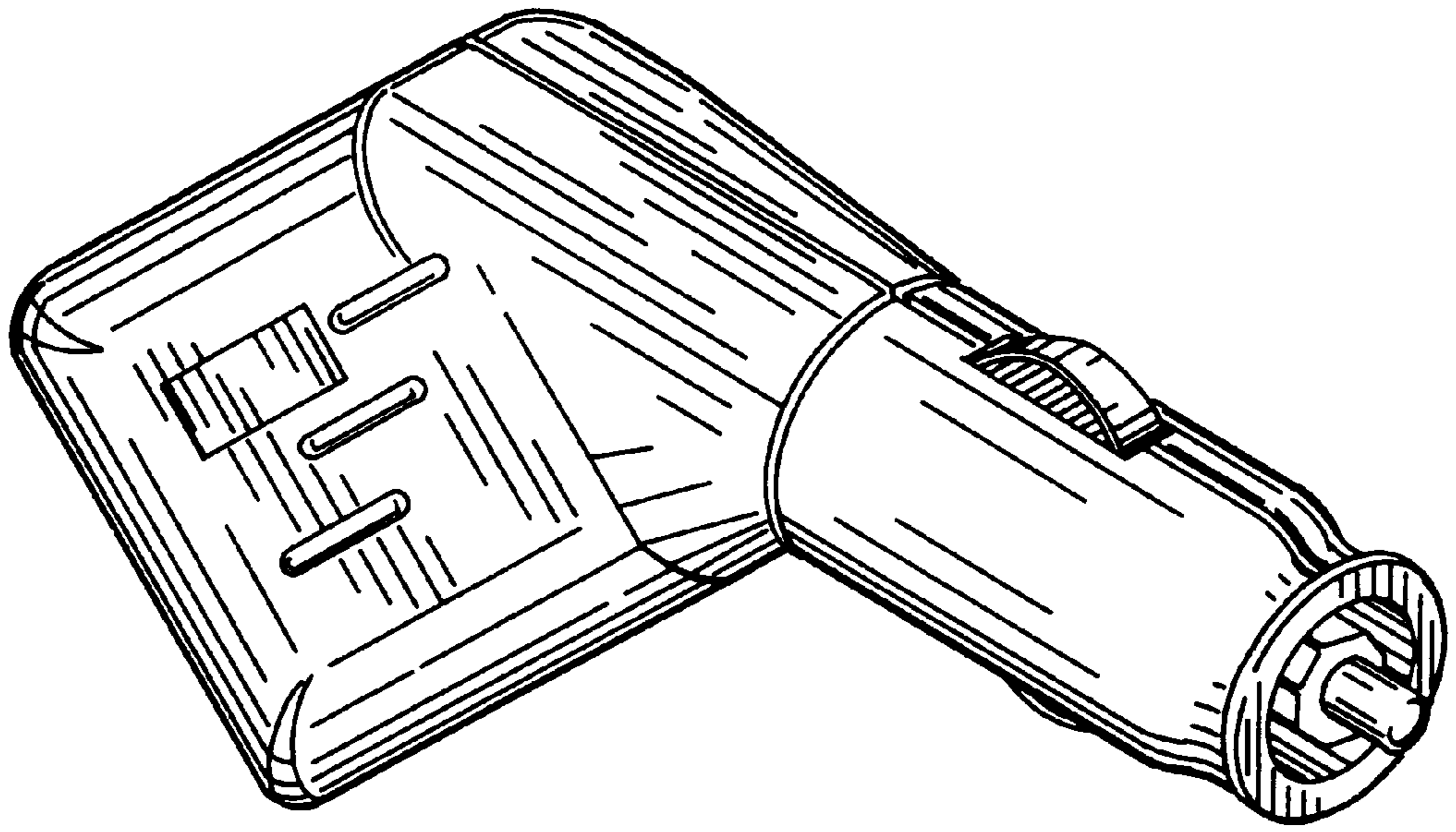


FIG. 1

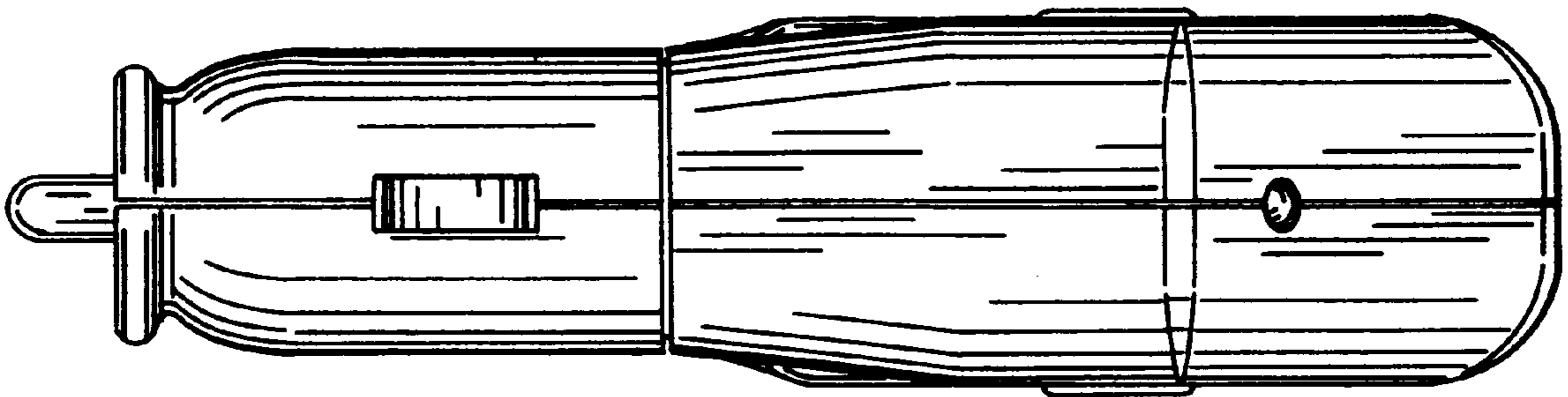


FIG. 2

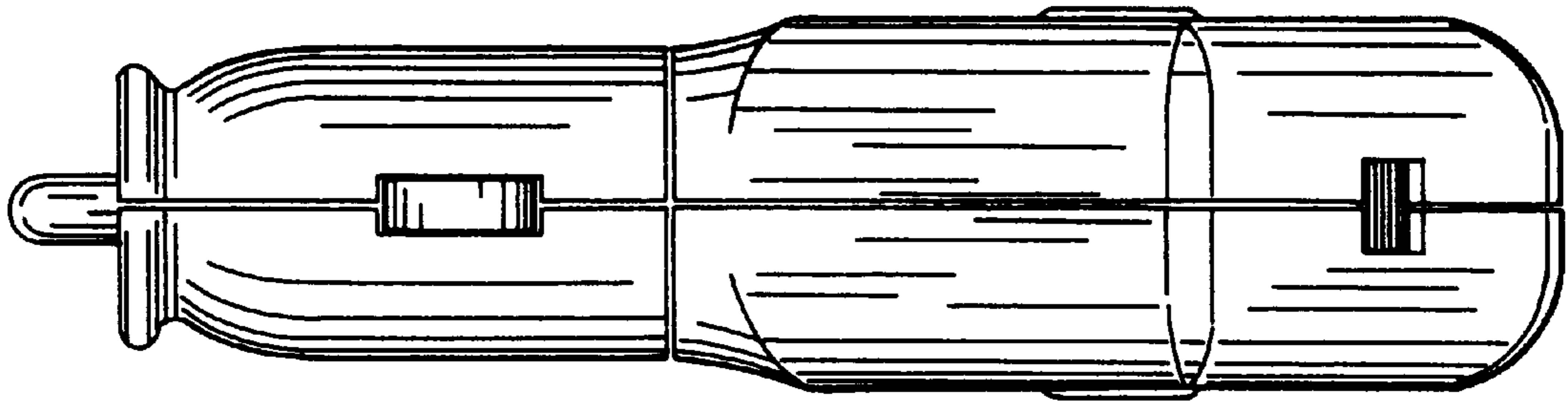


FIG. 3

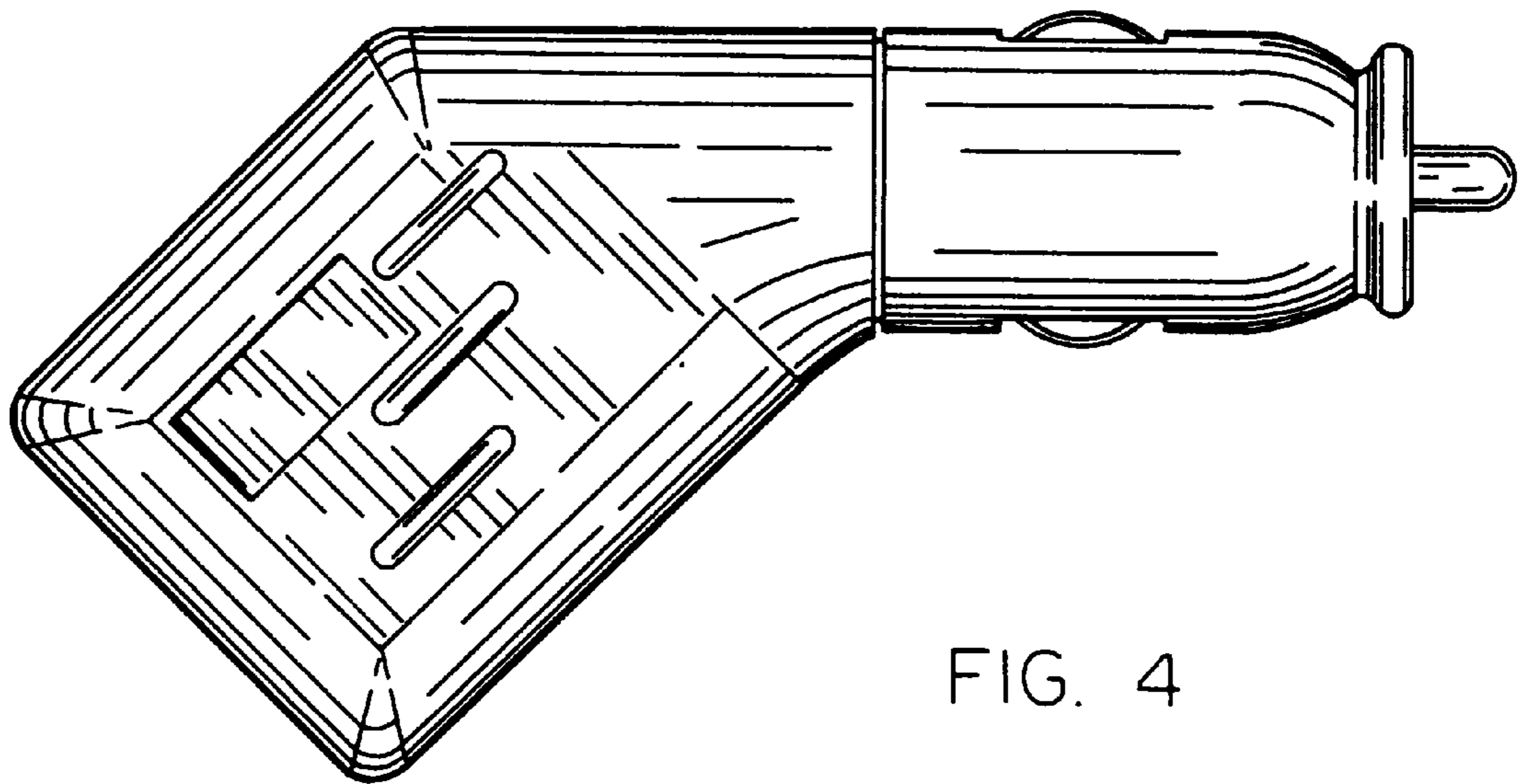


FIG. 4

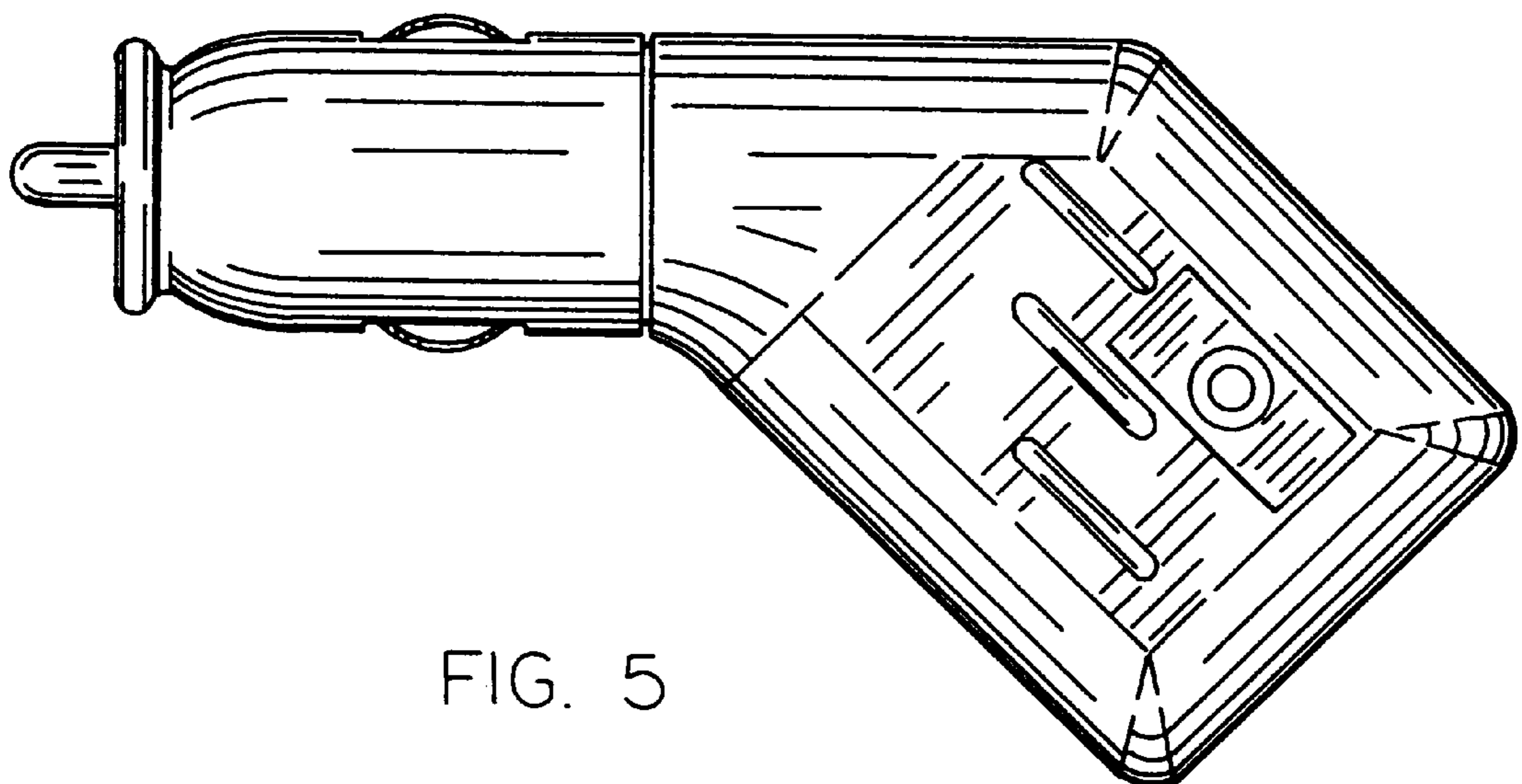


FIG. 5

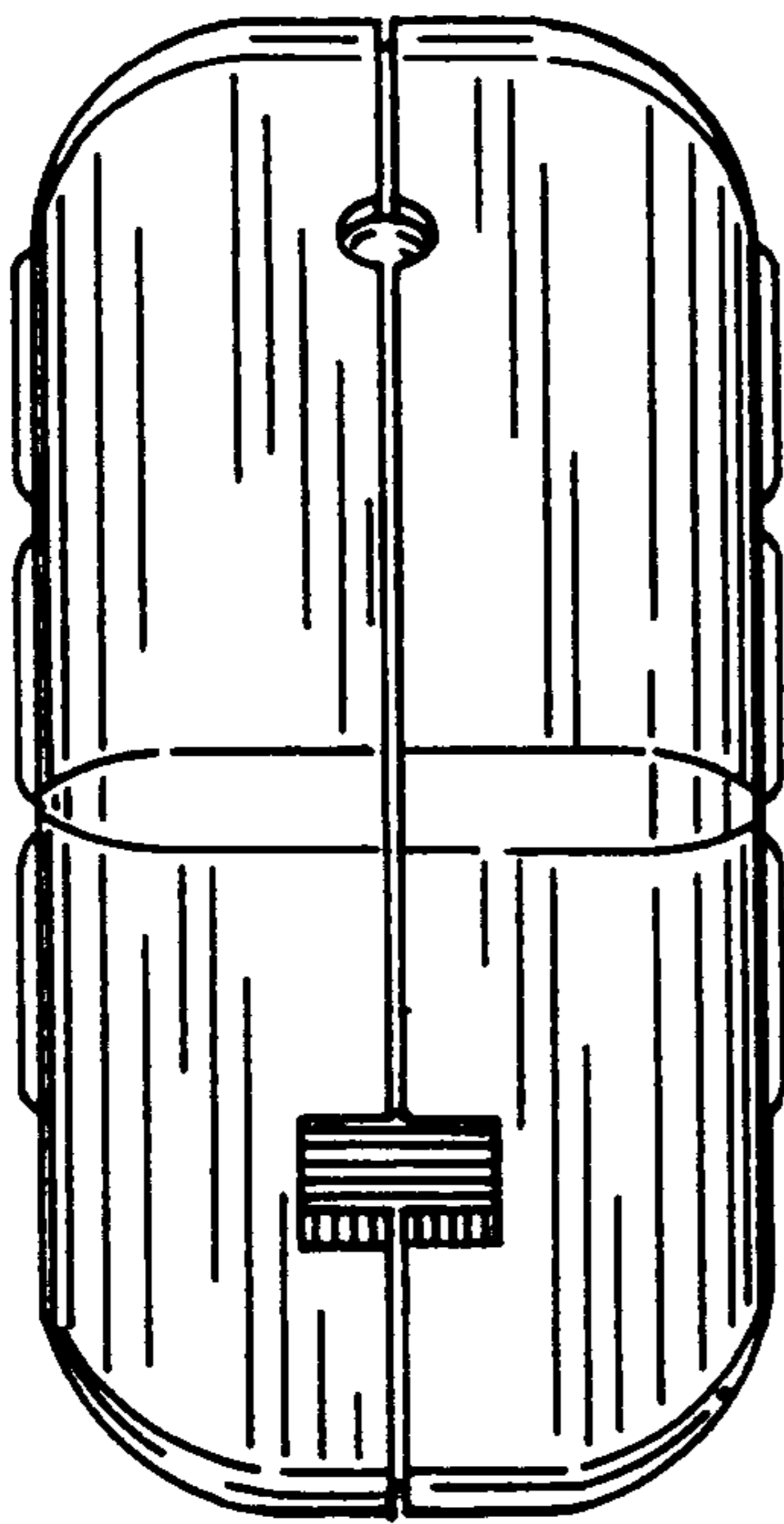


FIG. 6

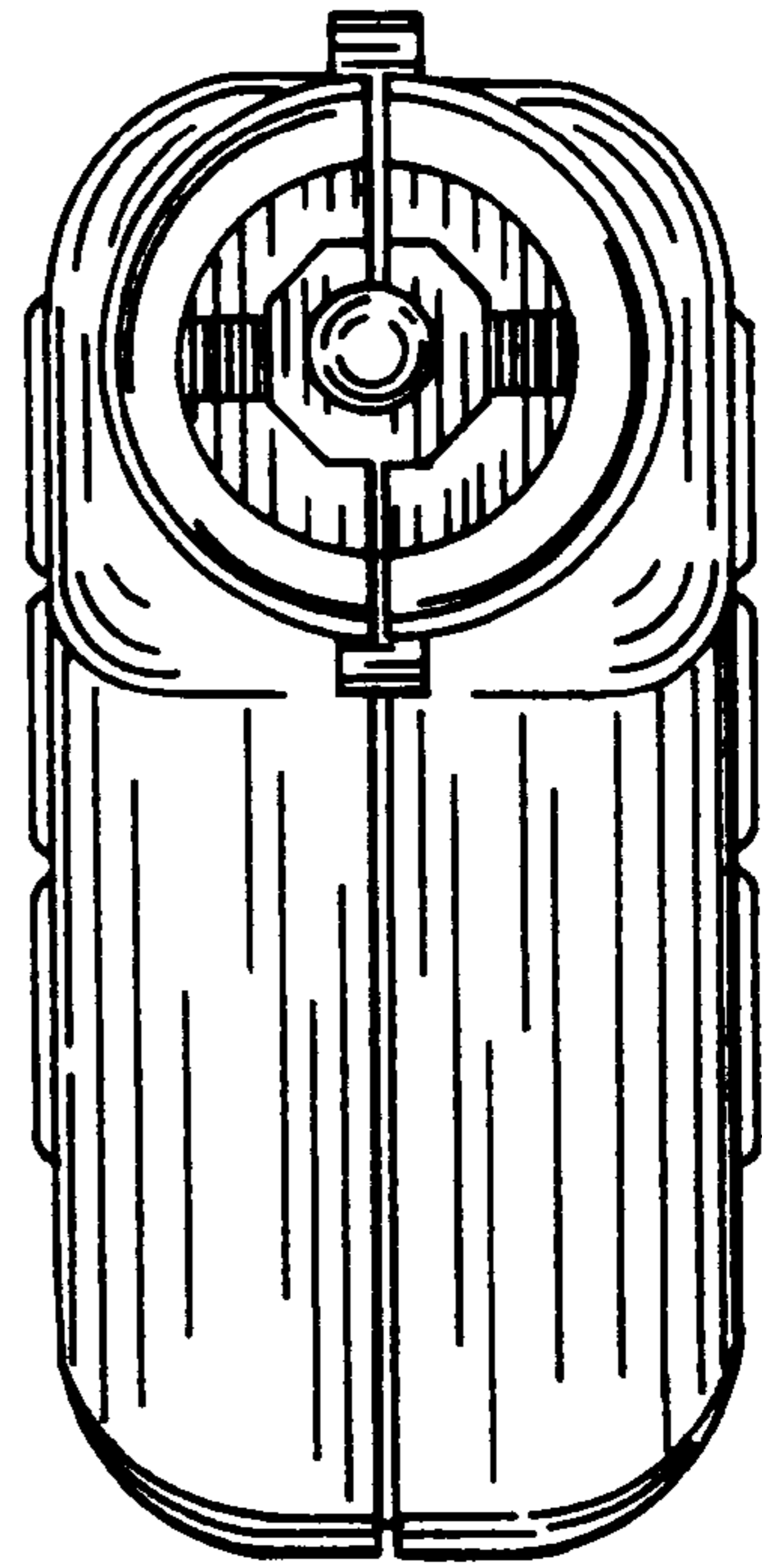


FIG. 7