



US00D410429S

United States Patent [19] Derecktor

[11] **Patent Number: Des. 410,429**
[45] **Date of Patent: ** Jun. 1, 1999**

[54] **SET OF TRUCK RACKS**

[75] Inventor: **Thomas E. Derecktor**, Fall River, Mass.

[73] Assignee: **TracRac, Inc.**, Fall River, Mass.

[**] Term: **14 Years**

[21] Appl. No.: **29/095,396**

[22] Filed: **Oct. 22, 1998**

[51] **LOC (6) Cl.** **12-16**

[52] **U.S. Cl.** **D12/406**

[58] **Field of Search** D12/400, 406,
D12/412-414; 296/37.1, 3; 224/309-310,
321, 324-327, 331; 280/475

[56] **References Cited**

U.S. PATENT DOCUMENTS

D. 266,836	11/1982	Ingram	D12/406
D. 267,247	12/1982	Kowalski	D12/406
D. 276,990	1/1985	Stapleton	D12/406
D. 283,117	3/1986	Bott	D12/406
D. 294,340	2/1988	Robson	D12/406
D. 320,373	10/1991	Sparham et al.	D12/406
D. 359,943	7/1995	Cucheran et al.	D12/414
D. 363,460	10/1995	Marshall	D12/406

D. 394,639	5/1998	Carter	D12/406
D. 398,284	9/1998	Carter et al.	D12/406
D. 400,846	11/1998	Laivins et al.	D12/414

Primary Examiner—Doris V. Coles
Assistant Examiner—Stacia Sinuik
Attorney, Agent, or Firm—Salter & Michaelson

[57] **CLAIM**

The ornamental design for a set of truck racks, as shown and described.

DESCRIPTION

FIG. 1 is a perspective view of the set of truck racks showing my new design where the racks are shown in position and secured to the bed of a pick-up truck. The broken line showing of the pickup truck is for illustrative purposes only and forms no part of the claimed design;

FIG. 2 is an enlarged front perspective view of one of the racks of the set of truck racks;

FIG. 3 is a further enlarged front elevational view of FIG. 2;

FIG. 4 is a further enlarged rear elevational view of FIG. 2;

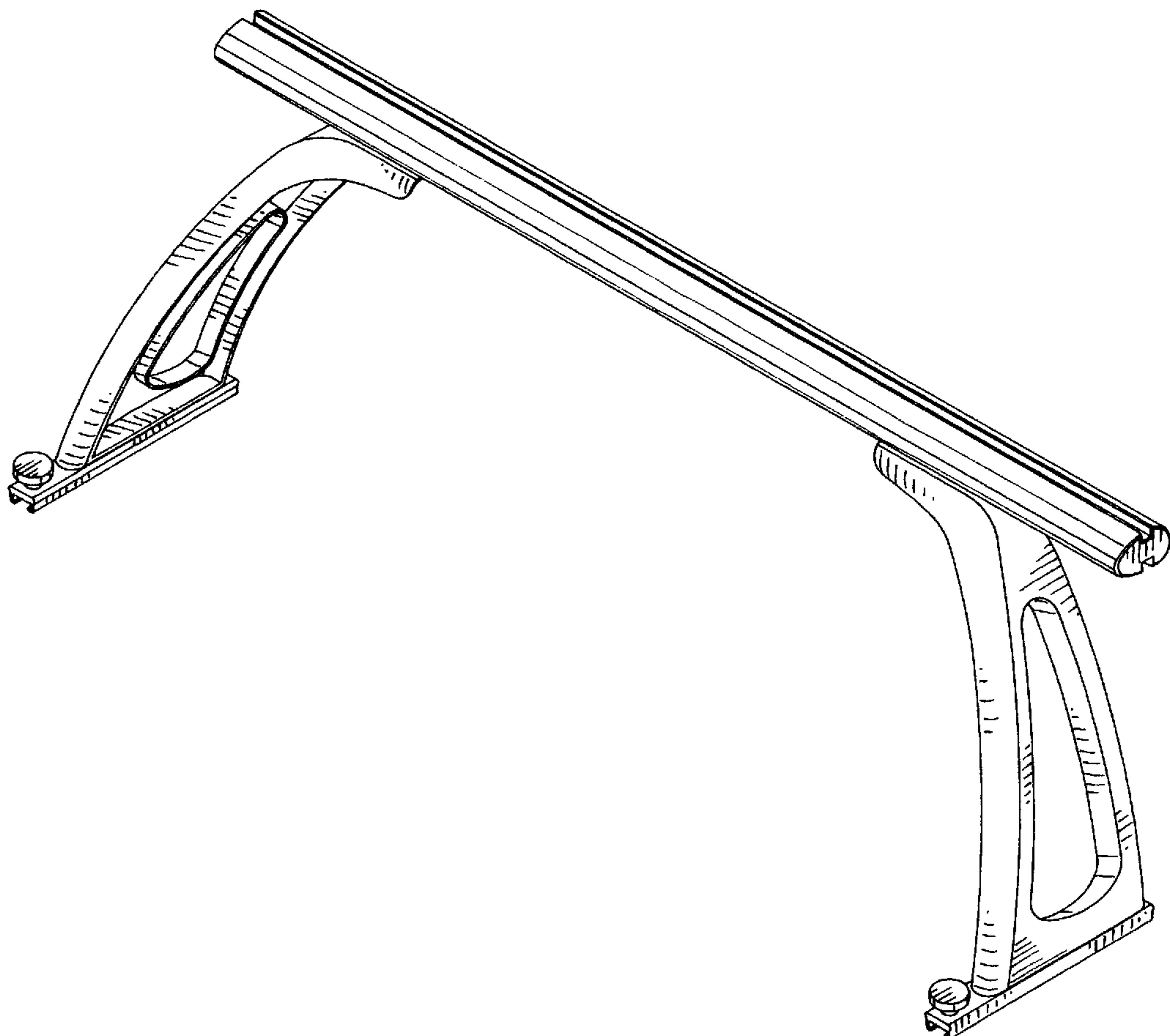
FIG. 5 is a further enlarged top plan view of FIG. 2;

FIG. 6 is a further enlarged bottom plan view of FIG. 2;

FIG. 7 is a further enlarged left end view of FIG. 2; and,

FIG. 8 is a further enlarged right end view of FIG. 2.

1 Claim, 5 Drawing Sheets



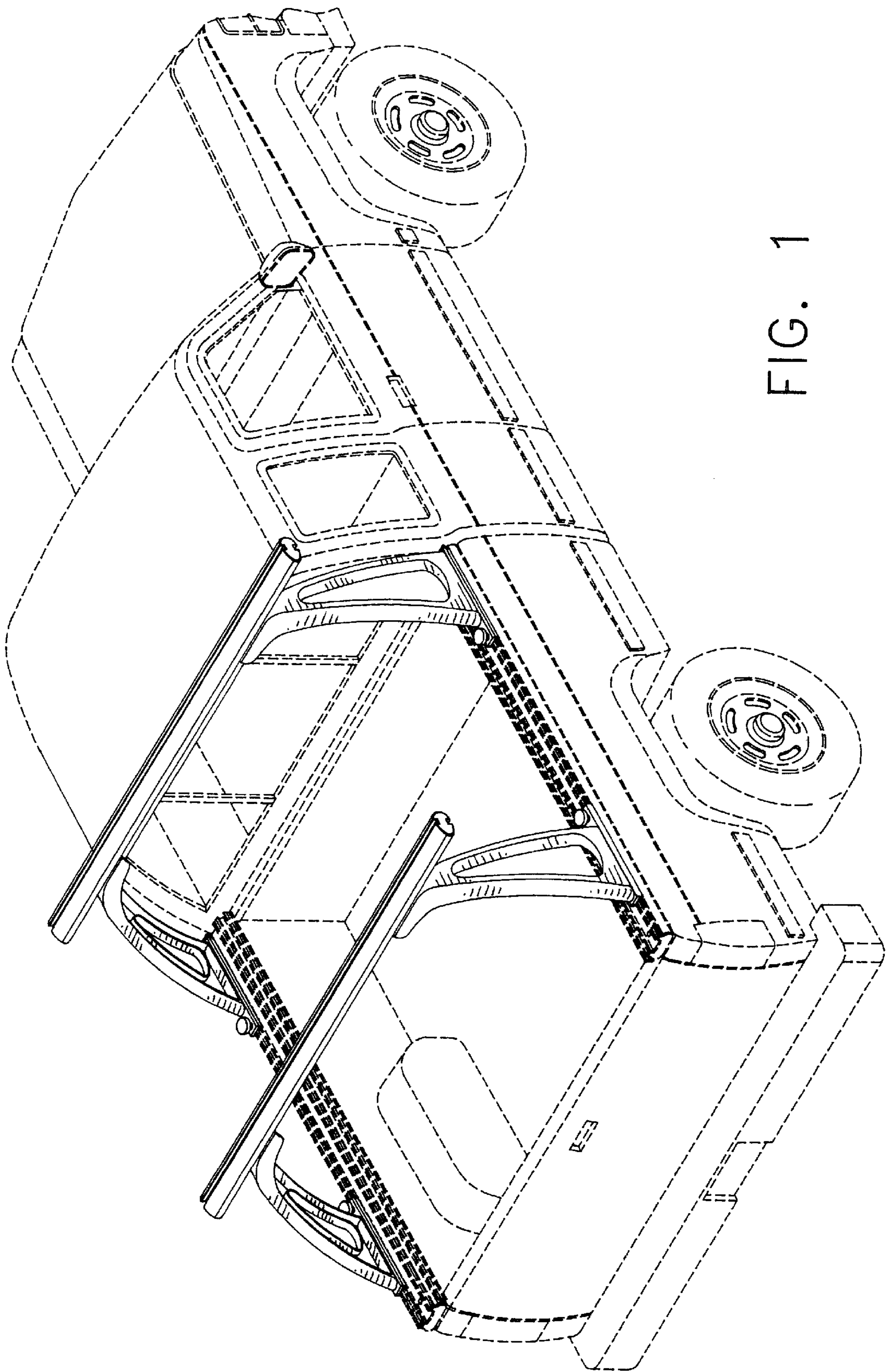


FIG. 1

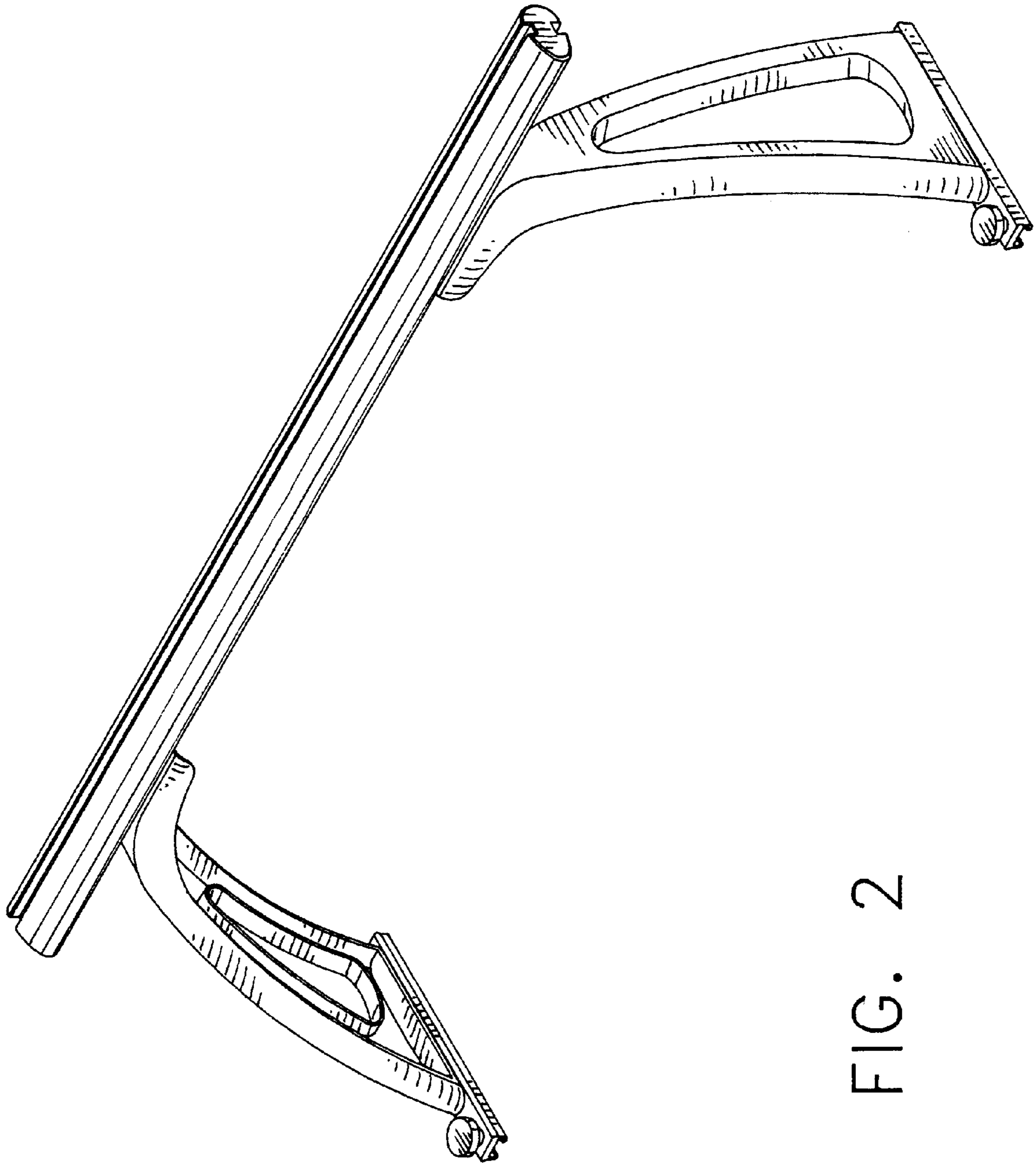
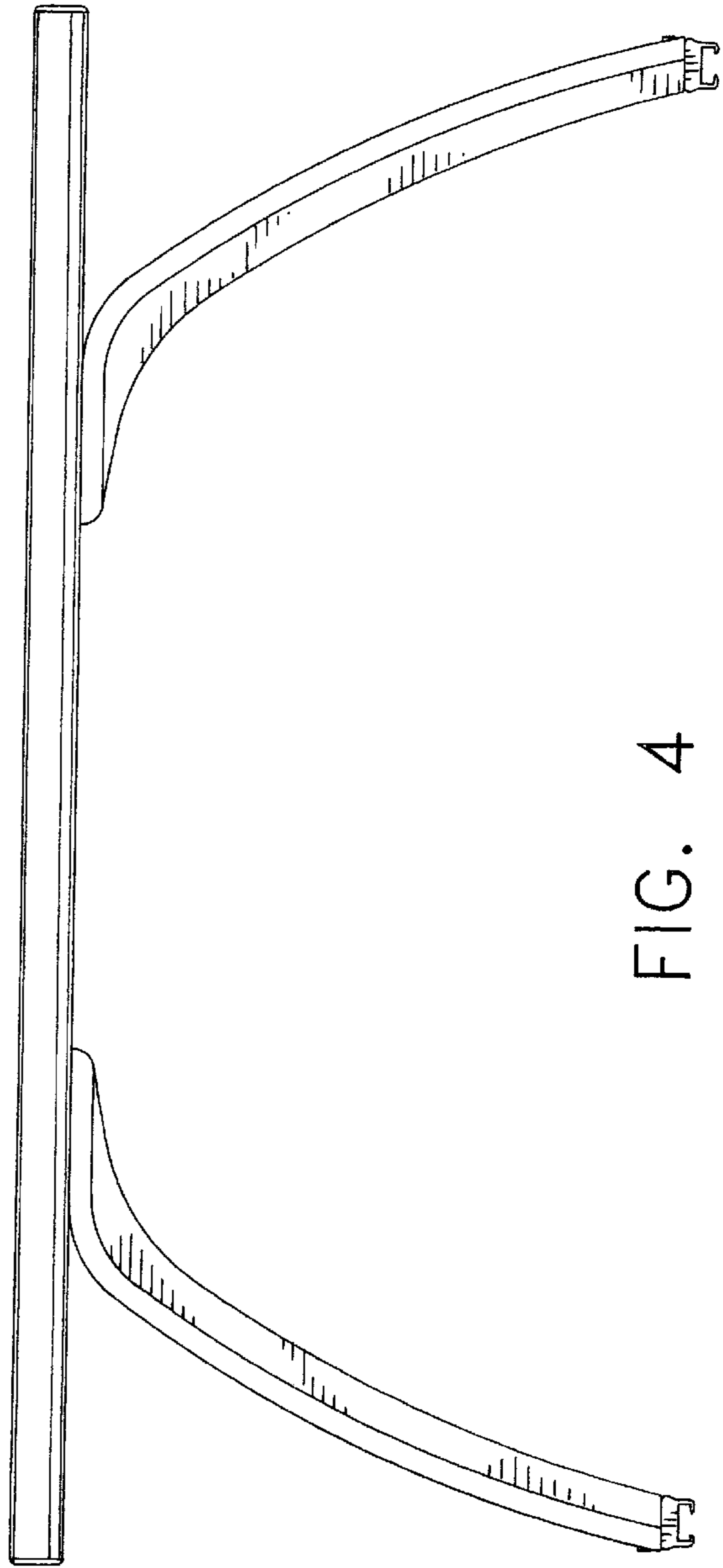
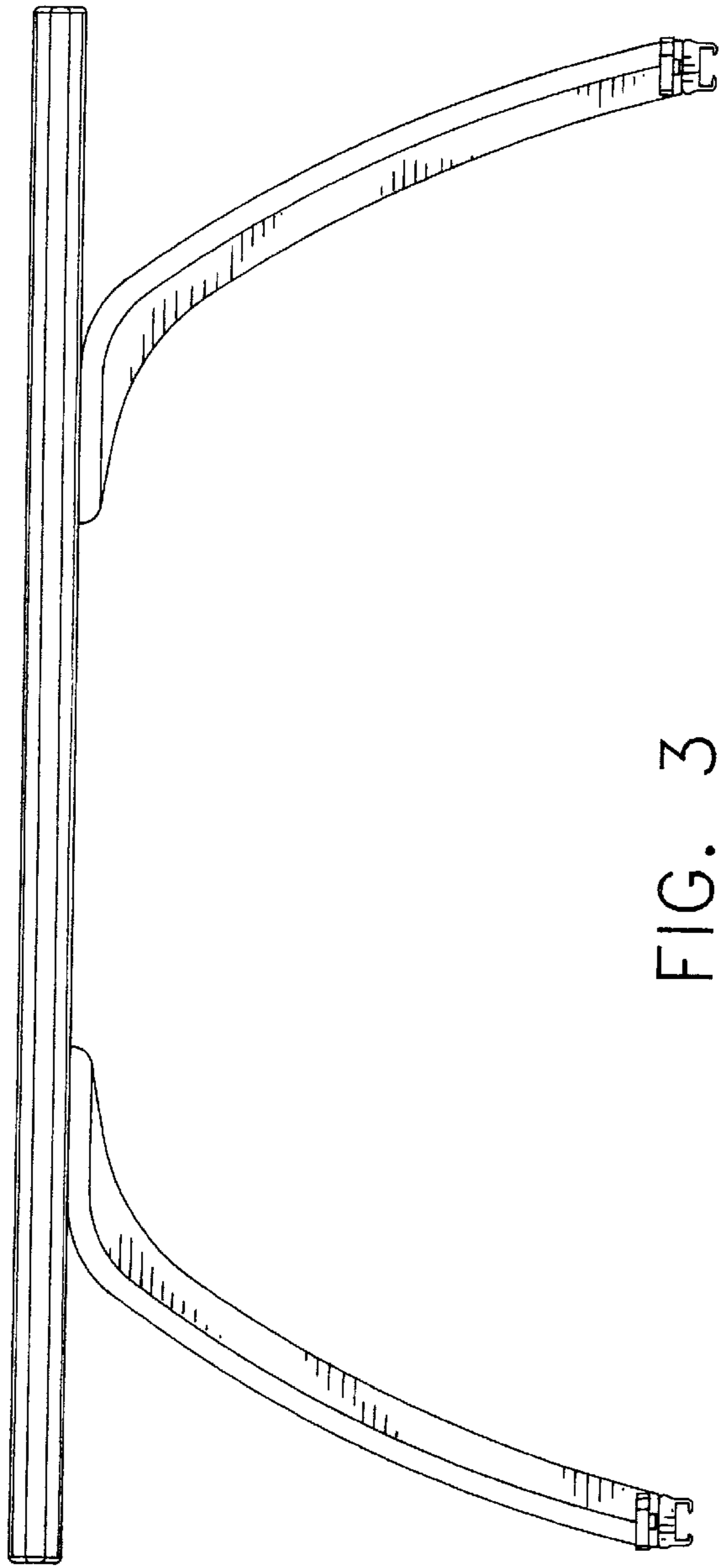


FIG. 2



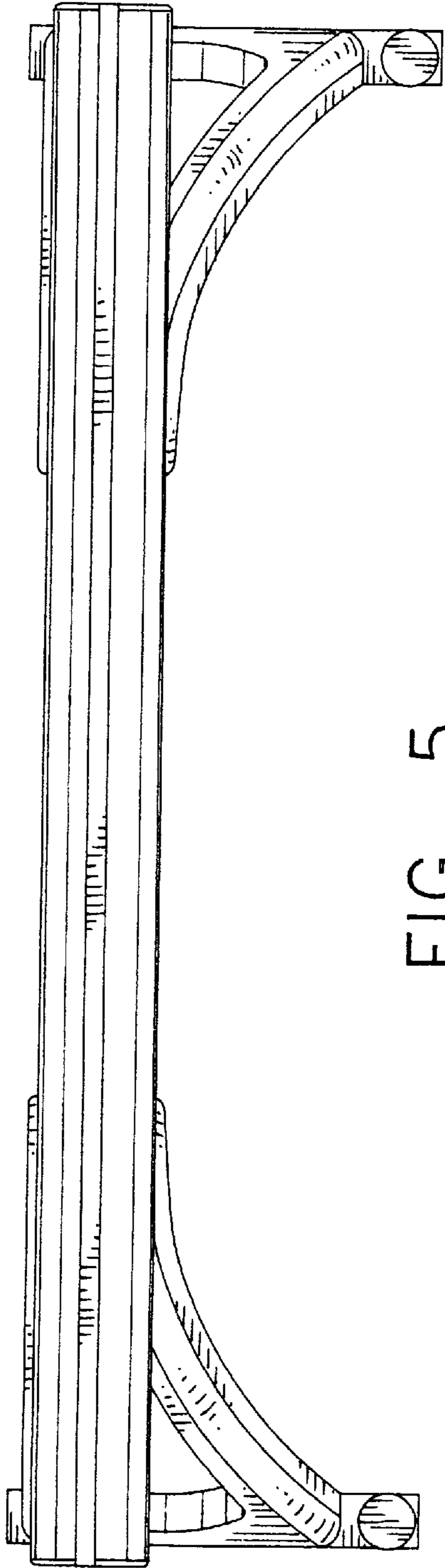


FIG. 5

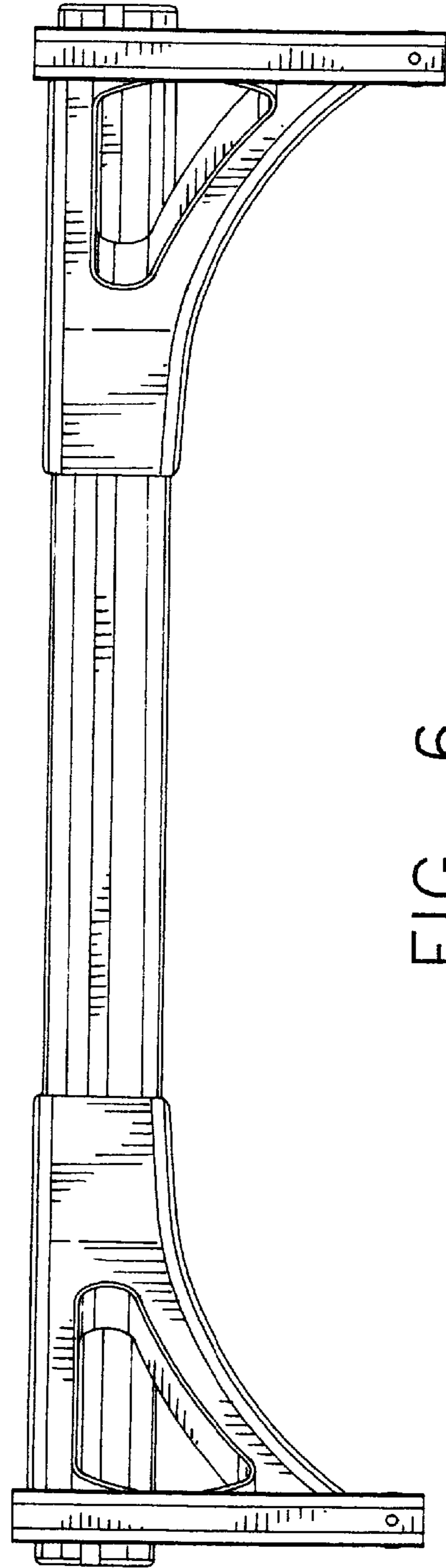


FIG. 6

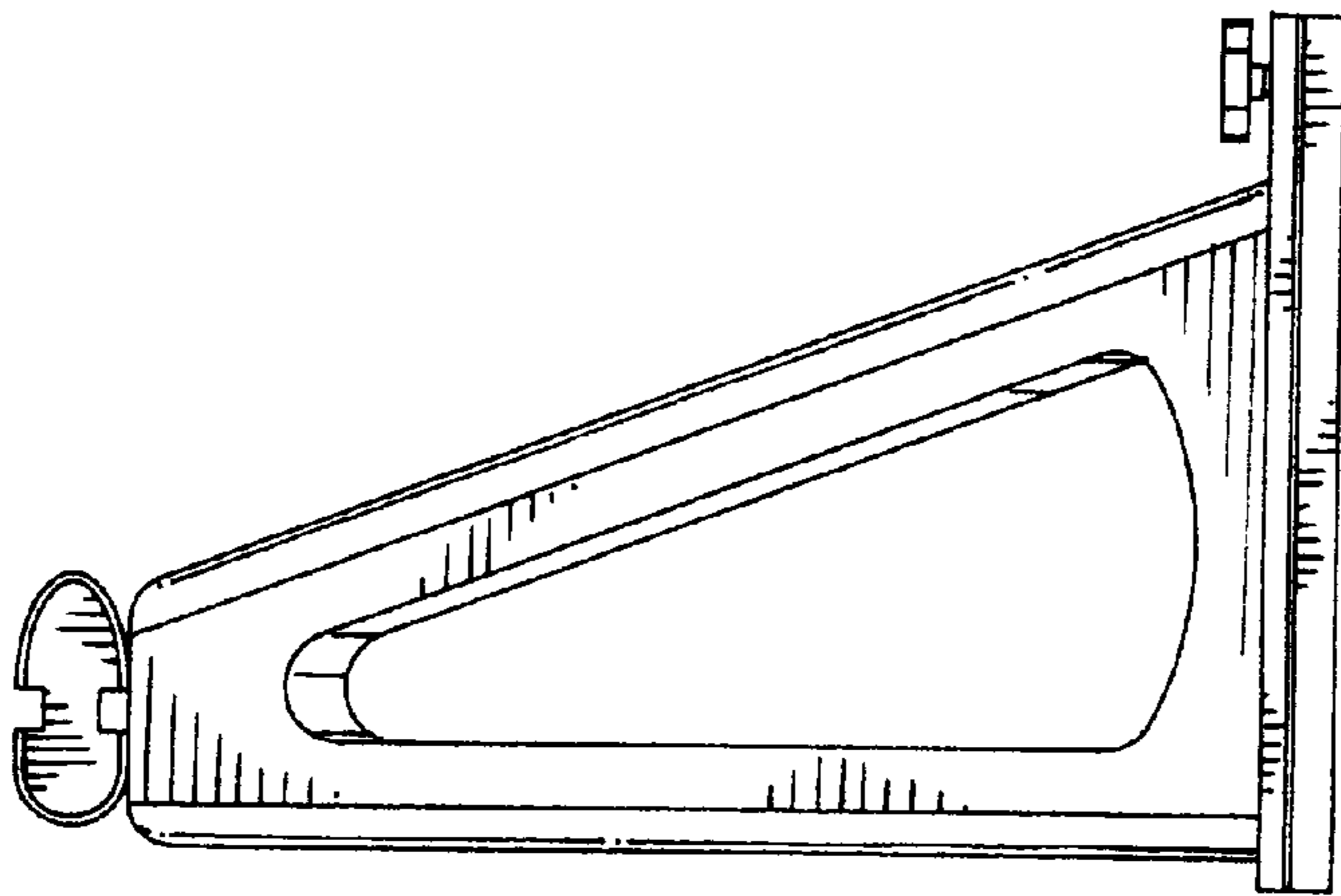


FIG. 7

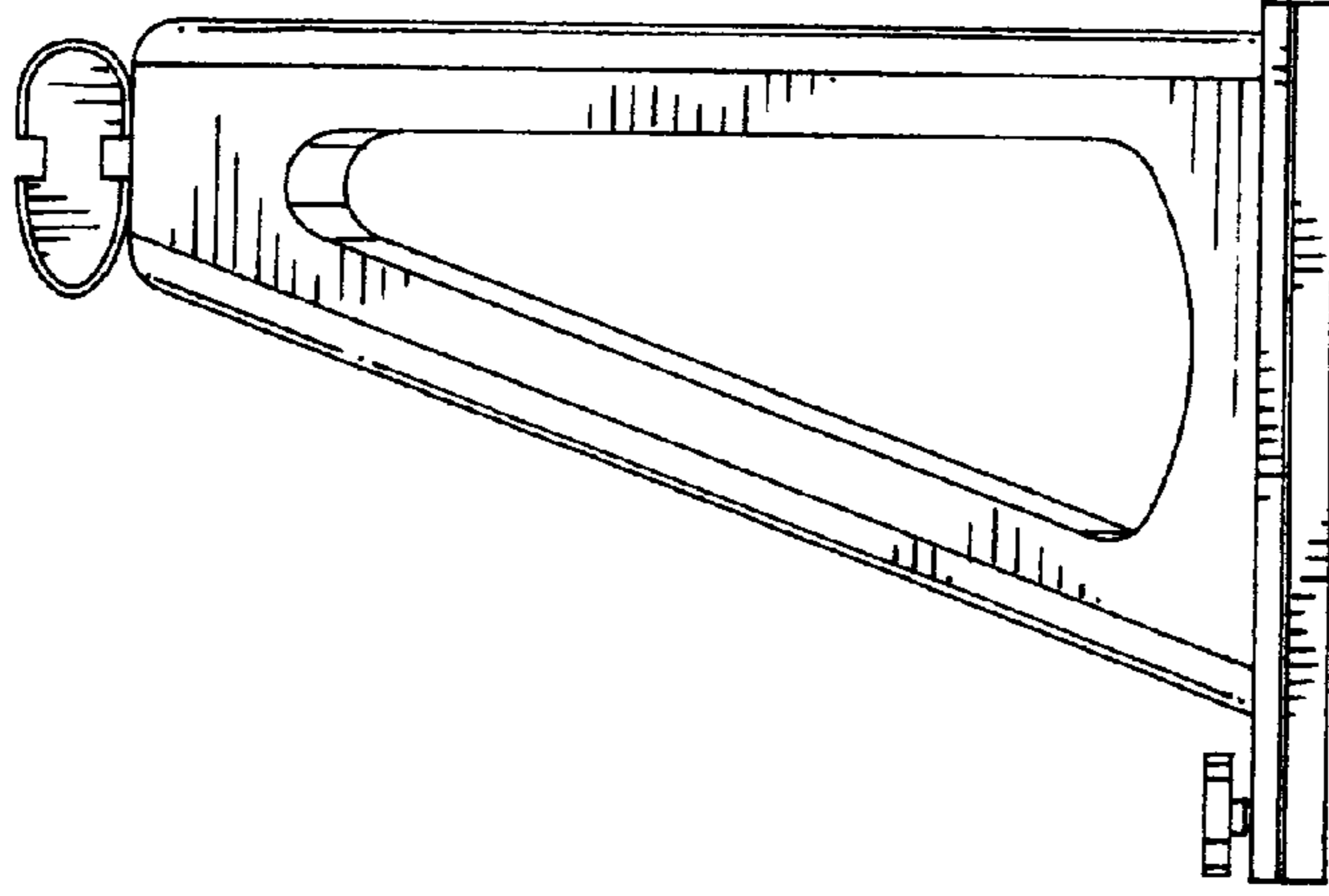


FIG. 8