



US00D410427S

United States Patent [19] Kokones

[11] **Patent Number: Des. 410,427**

[45] **Date of Patent: ** Jun. 1, 1999**

[54] **TRUCK TAILGATE FAIRING**

[76] Inventor: **Nicholas G. Kokones**, 57 Via Athena,
Aliso Viejo, Calif. 92656

[**] Term: **14 Years**

[21] Appl. No.: **29/075,118**

[22] Filed: **Jul. 7, 1997**

[51] **LOC (6) Cl.** **12-16**

[52] **U.S. Cl.** **D12/400**

[58] **Field of Search** D12/93, 98, 100,
D12/400; 296/50, 51, 57.1, 108, 180.1

[56] **References Cited**

U.S. PATENT DOCUMENTS

D. 160,012	9/1950	Porter	D12/98
D. 300,522	4/1989	Wegner	D12/98
D. 343,809	2/1994	Cannon	D12/98
4,506,870	3/1985	Penn	296/180.1
5,066,063	11/1991	Mullally	296/100
5,232,259	8/1993	Booker	296/180.1
5,427,425	6/1995	Droesch	296/50
5,498,058	3/1996	Kuo	296/180.1

5,722,714	3/1998	Vallerand	296/180.1
5,735,567	4/1998	Mora, Sr.	296/180.1
5,743,589	4/1998	Felker	296/180.1

Primary Examiner—Robert M. Spear
Attorney, Agent, or Firm—Drummond & Duckworth

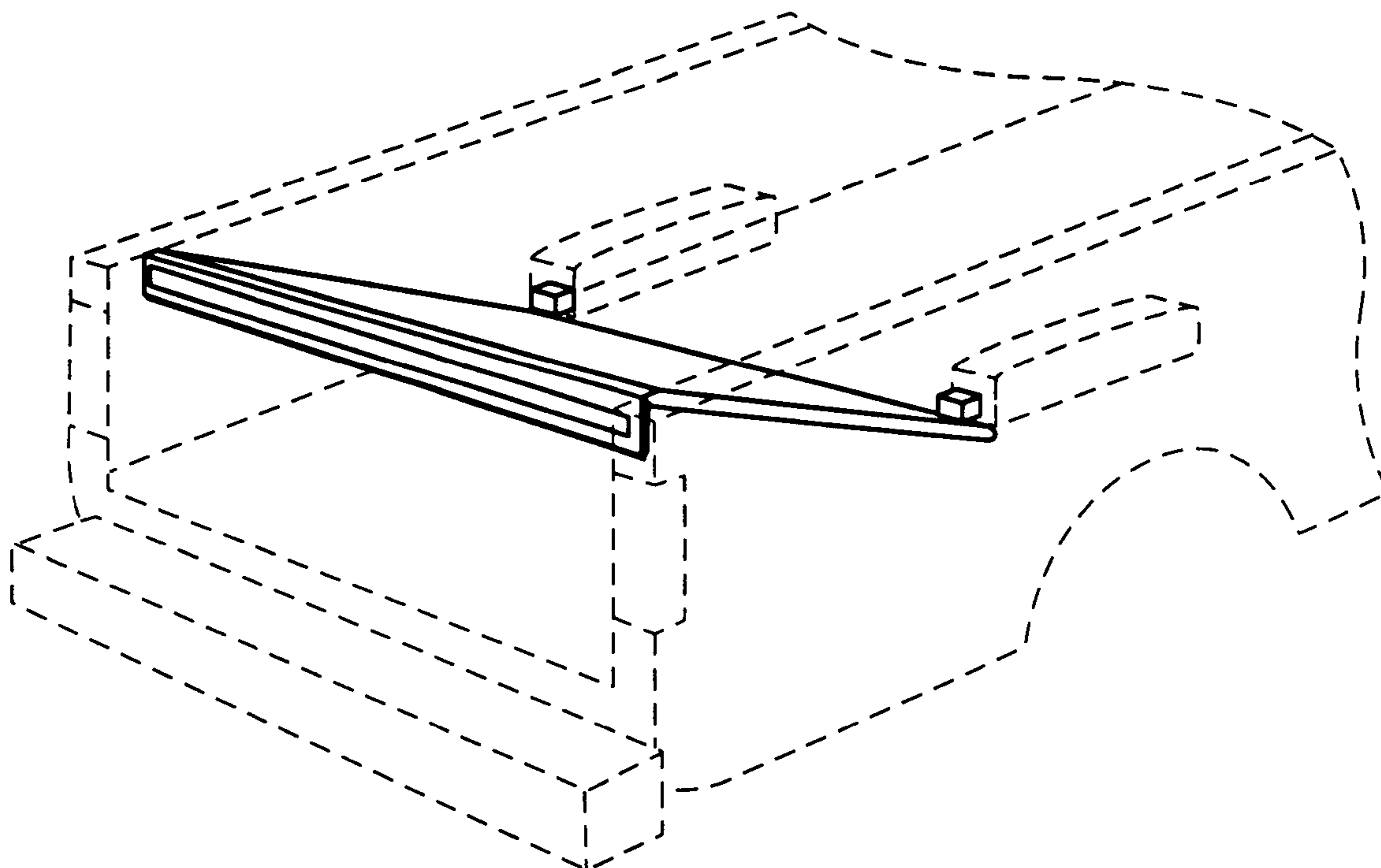
[57] **CLAIM**

The ornamental design for a truck tailgate fairing, as shown and described.

DESCRIPTION

FIG. 1 is a rear perspective view of the truck tailgate fairing showing my new design;
FIG. 2 is a right side elevation view thereof;
FIG. 3 is a top plan view thereof;
FIG. 4 is a front elevation view of thereof;
FIG. 5 is a rear elevation view thereof;
FIG. 6 is a left elevation view thereof; and,
FIG. 7 is a bottom plan view thereof.
The broken line showing the rear portion of a truck in FIG. 1 of the drawings is for illustrative purposes only and forms no part of the claim's design.

1 Claim, 1 Drawing Sheet



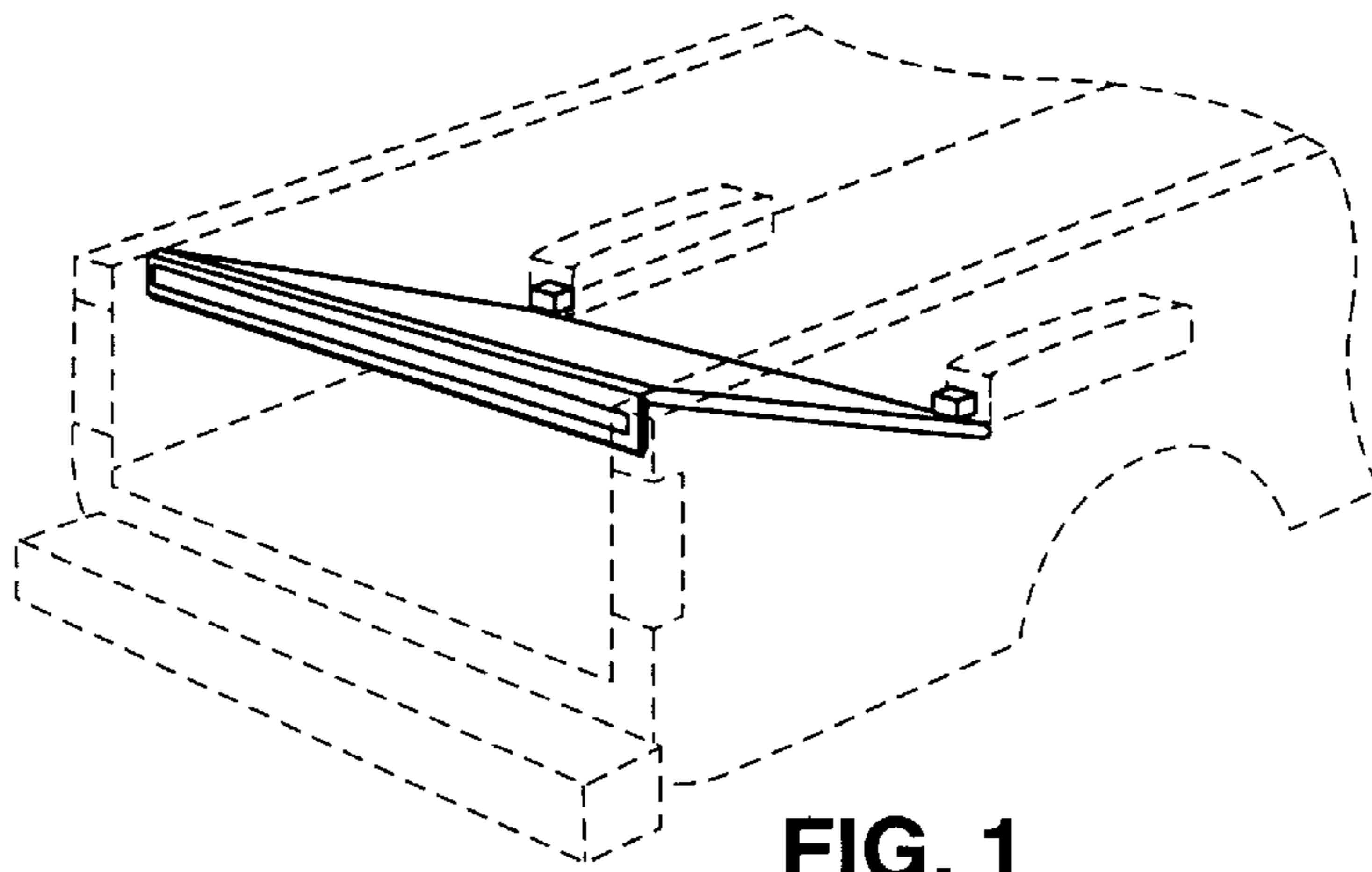


FIG. 1

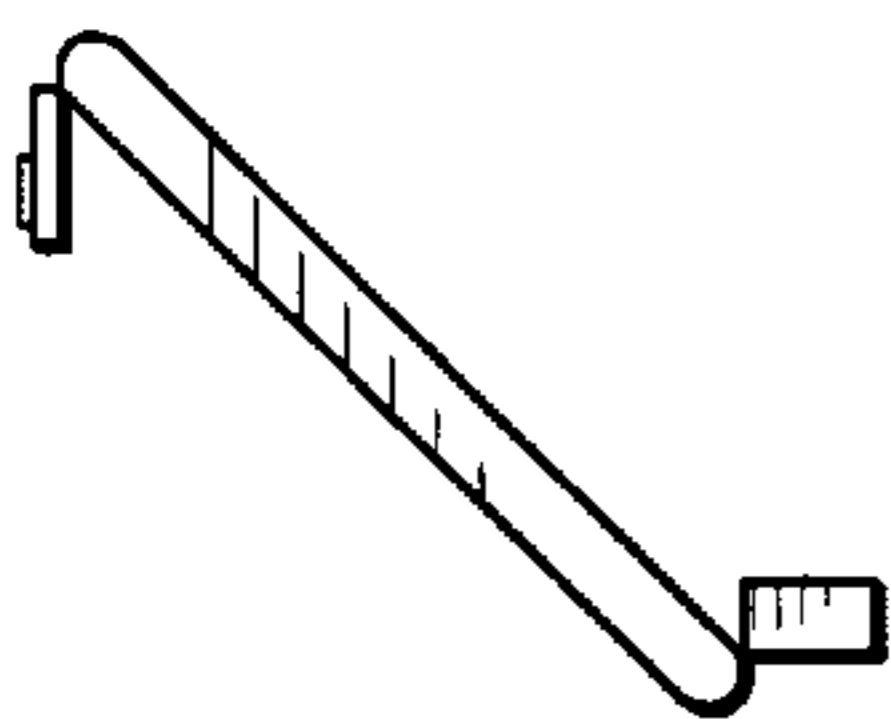


FIG. 2

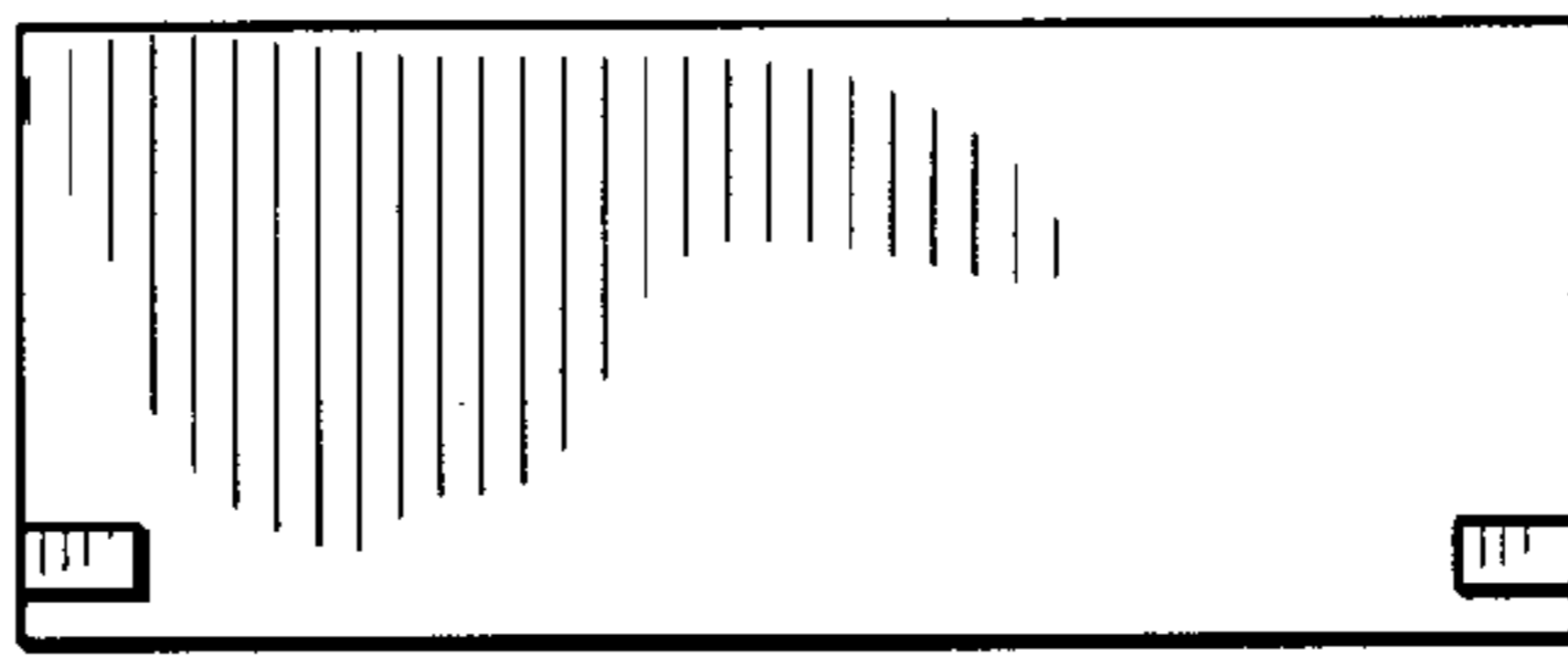


FIG. 4

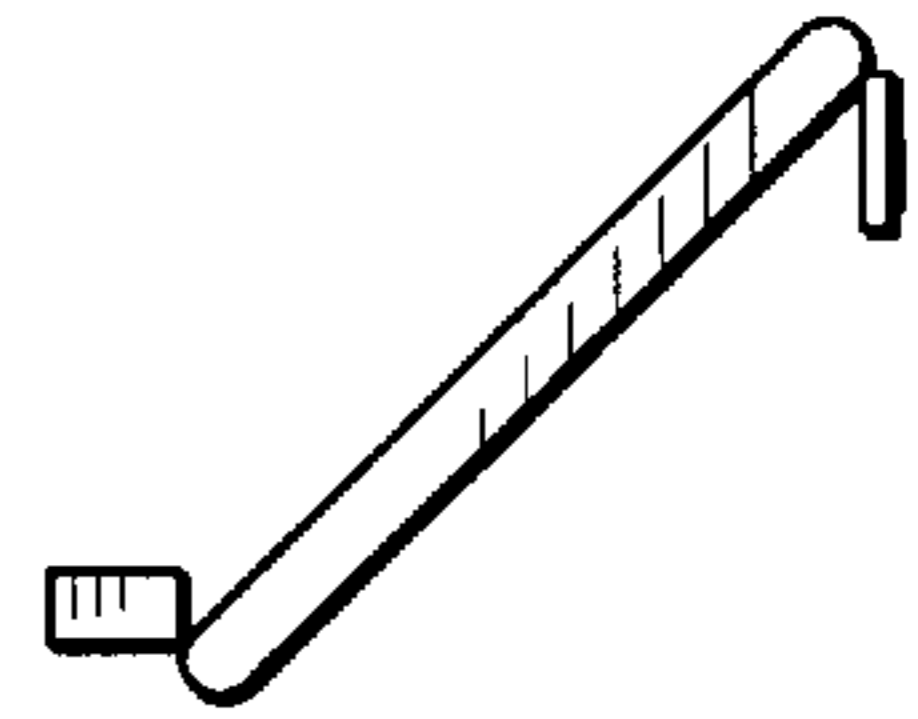


FIG. 6

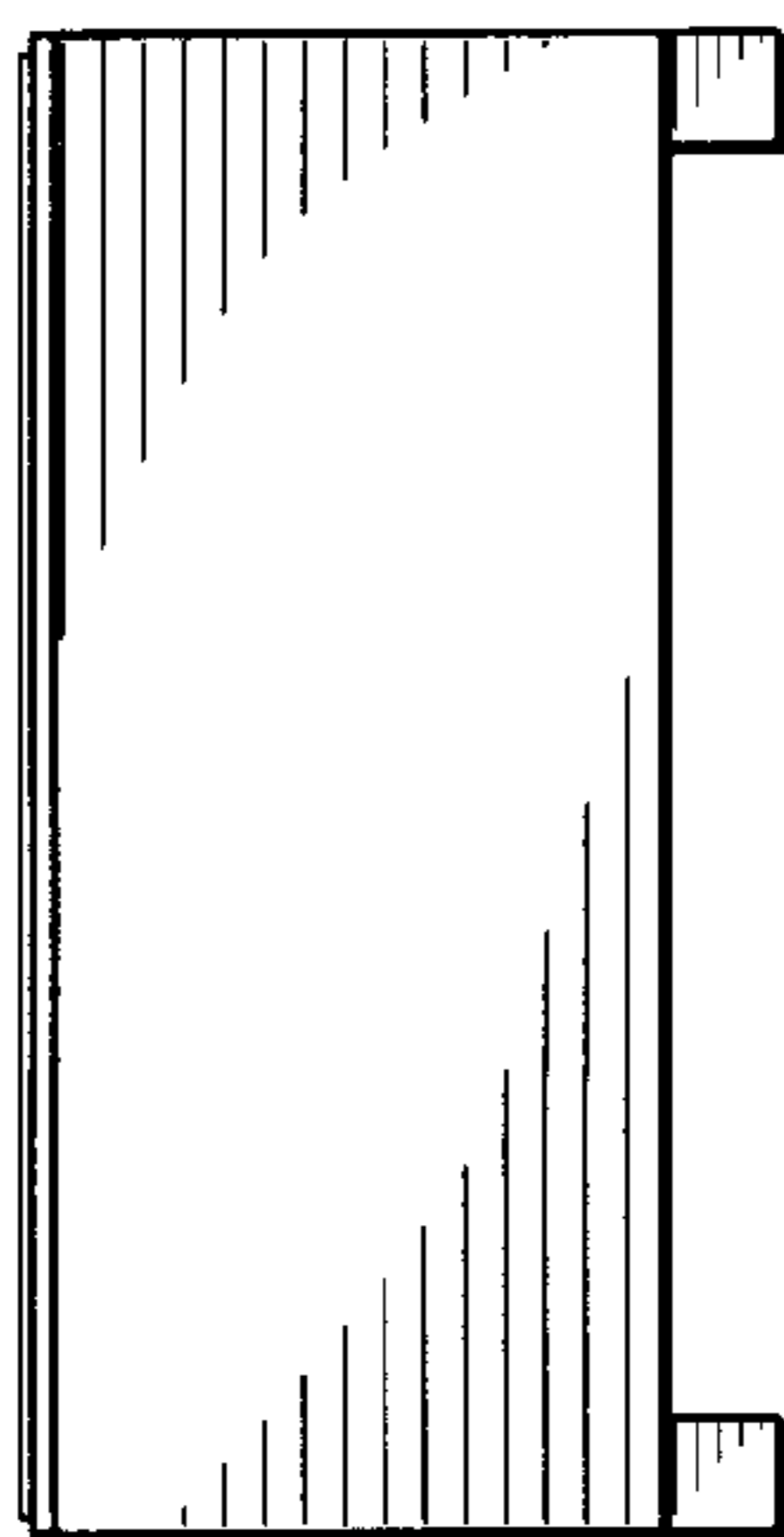


FIG. 3

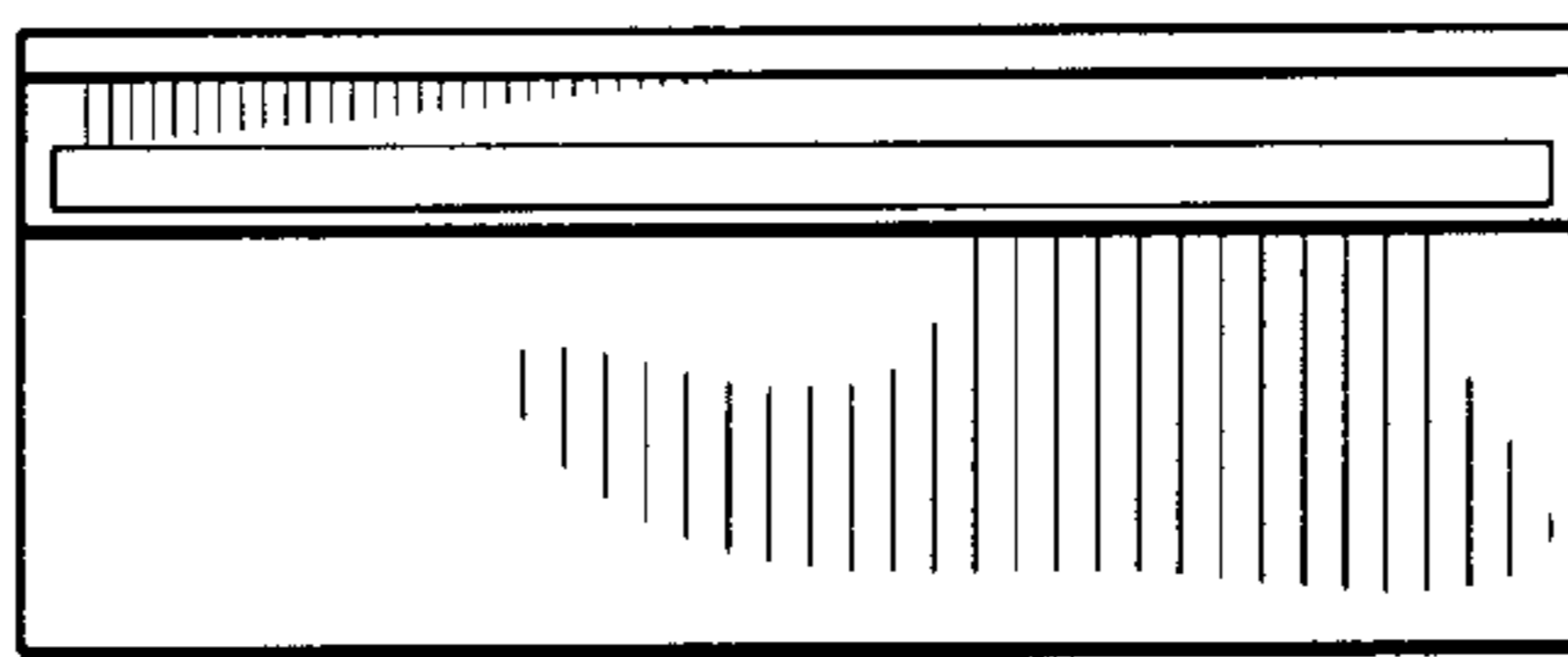


FIG. 5

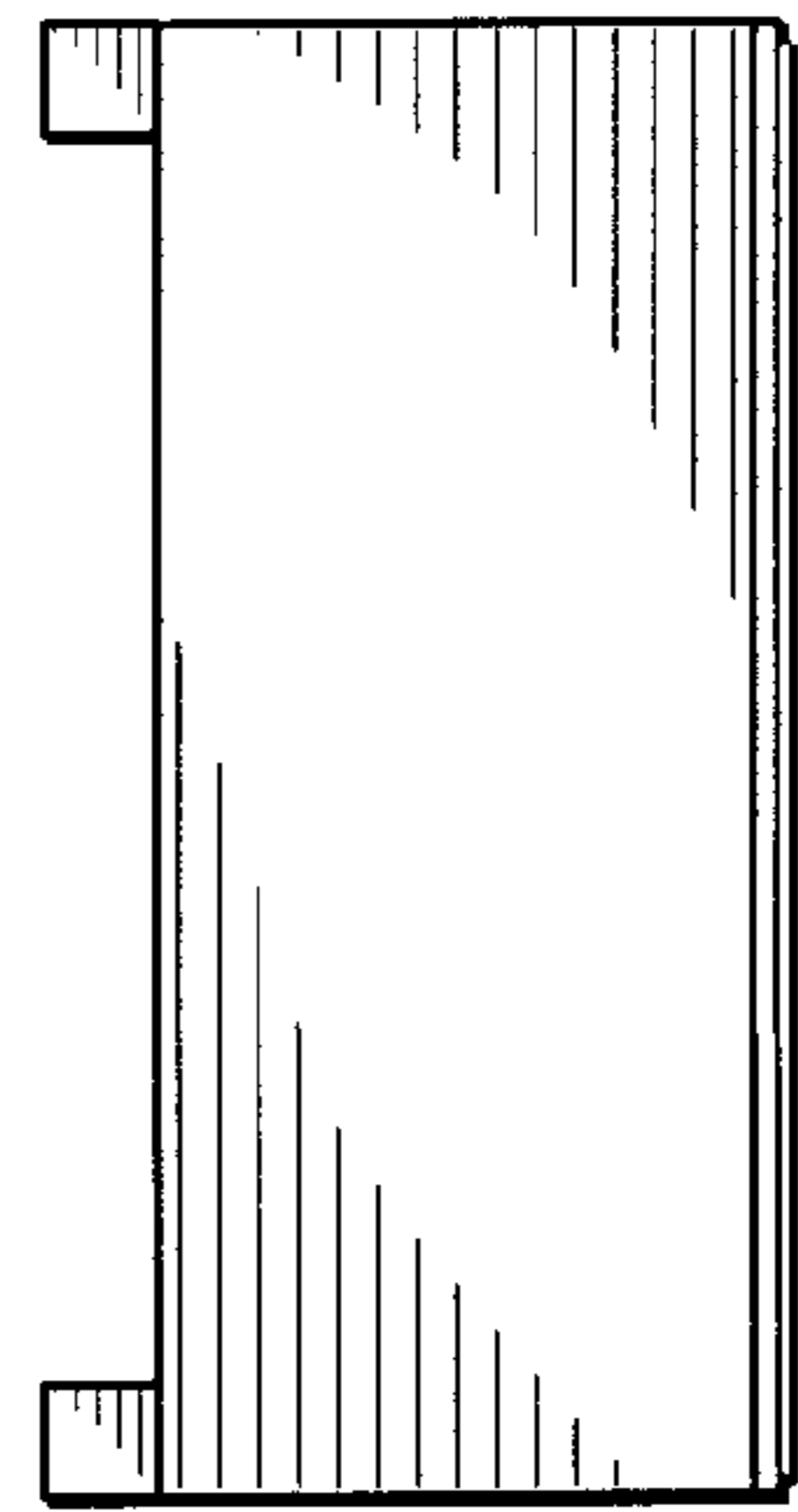


FIG. 7