



US00D410416S

United States Patent [19] Huang

[11] **Patent Number: Des. 410,416**
[45] **Date of Patent: ** Jun. 1, 1999**

[54] **TOY VEHICLE**

[76] **Inventor: Wan Tzu Huang**, No. 86-40, Dong Ping Road, Taiping City, Taichung Hsien, Taiwan

[**] **Term: 14 Years**

[21] **Appl. No.: 29/083,198**

[22] **Filed: Feb. 2, 1998**

[51] **LOC (6) Cl. 12-11**

[52] **U.S. Cl. D12/111**

[58] **Field of Search D12/111-113; 280/259, 282, 267, 281.1**

[56] **References Cited**

U.S. PATENT DOCUMENTS

- D. 166,693 5/1952 Lines D12/111
- D. 170,610 10/1953 Sebel D12/111

- D. 326,247 5/1992 Hess D12/111
- D. 345,948 4/1994 Chen D12/111
- D. 369,331 4/1996 Niemeyer D12/112

Primary Examiner—Melody N. Brown

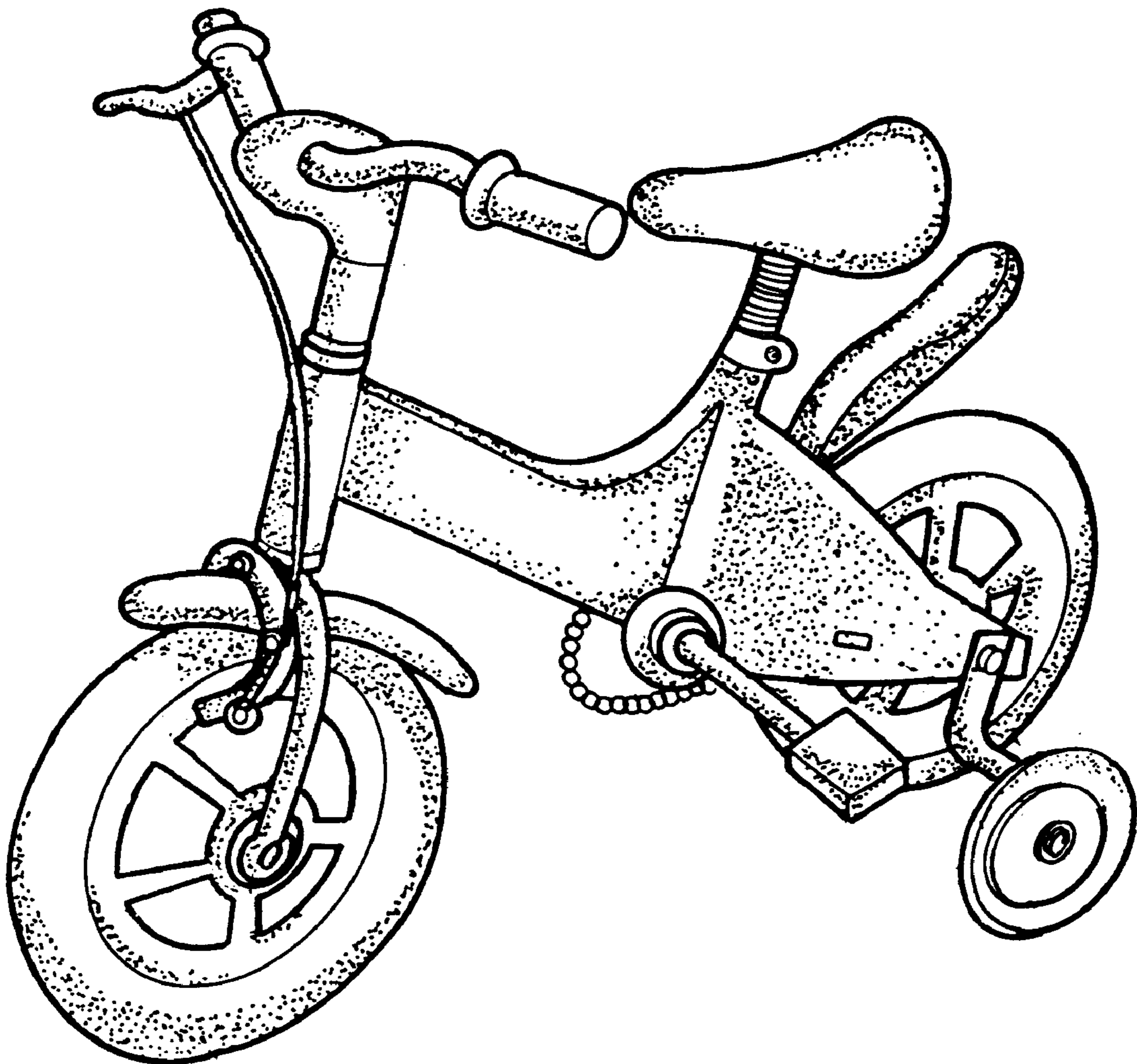
[57] **CLAIM**

The ornamental design for a toy vehicle, as shown and described.

DESCRIPTION

FIG. 1 is a perspective view of a toy vehicle showing my new design;
 FIG. 2 is a front elevational view thereof;
 FIG. 3 is a rear elevational view thereof;
 FIG. 4 is a top plan view thereof;
 FIG. 5 is a bottom plan view thereof;
 FIG. 6 is a left side elevational view thereof; and,
 FIG. 7 is a right side elevational view thereof.

1 Claim, 4 Drawing Sheets



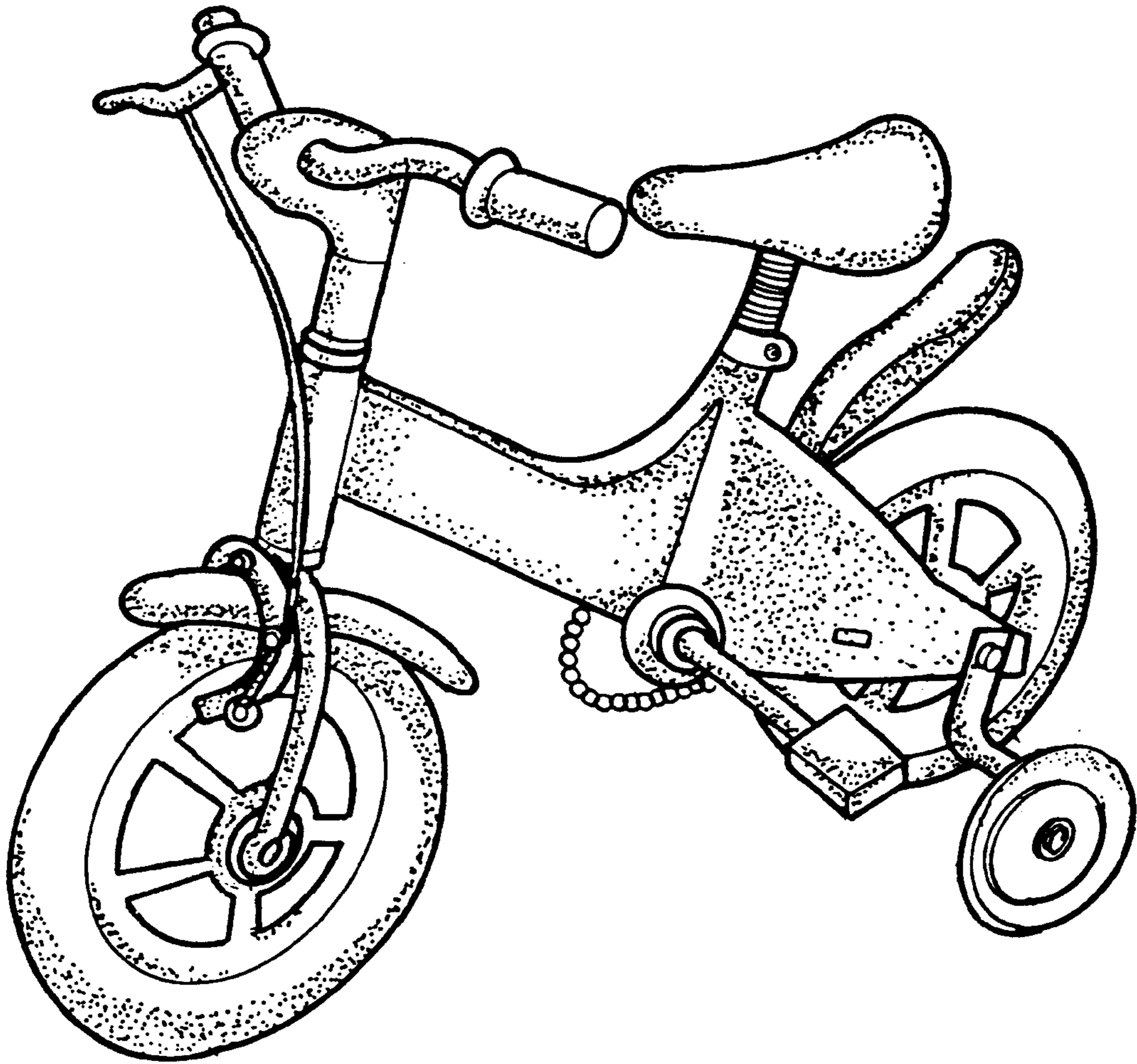


FIG. 1

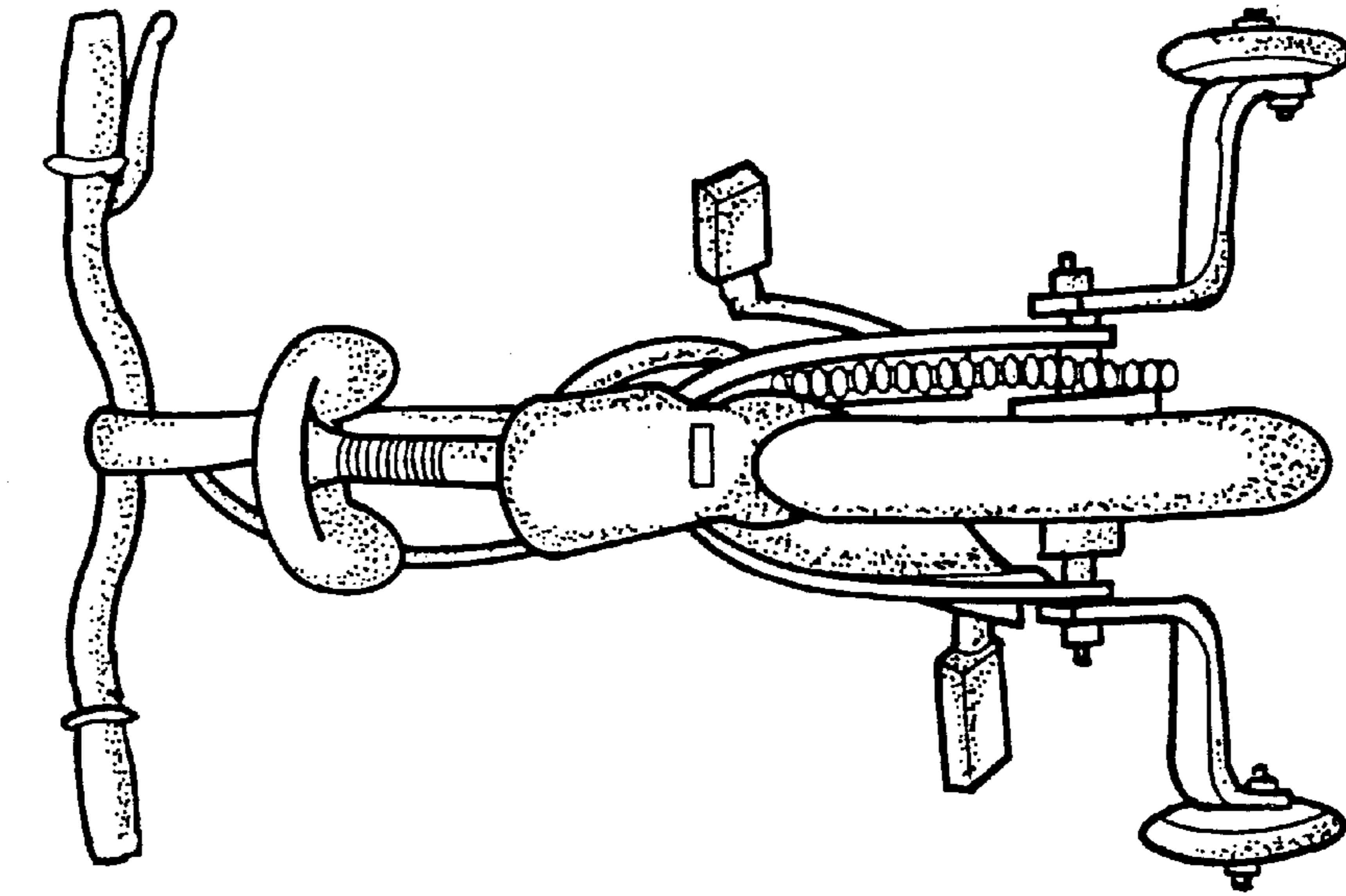


FIG. 3

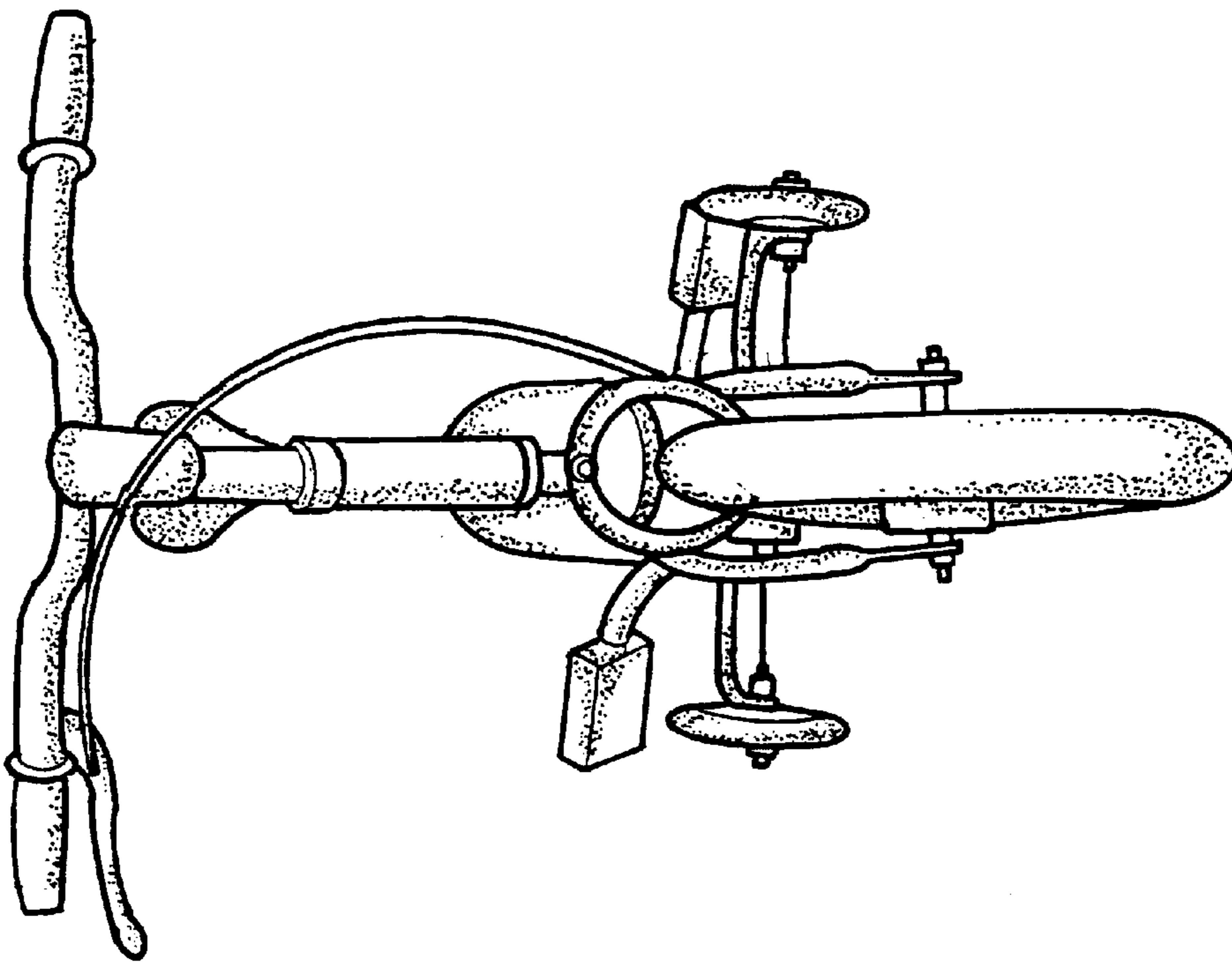


FIG. 2

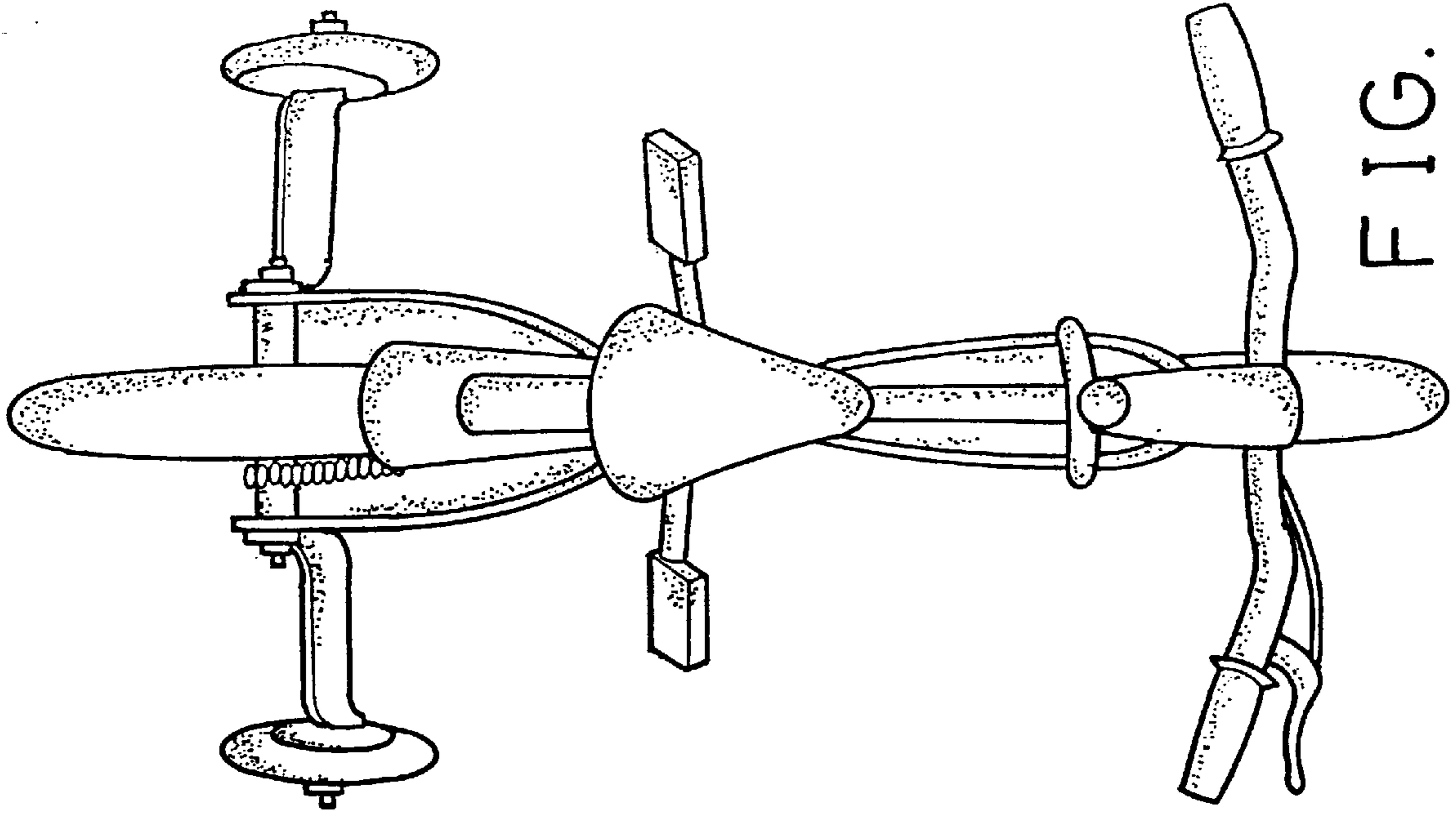


FIG. 4

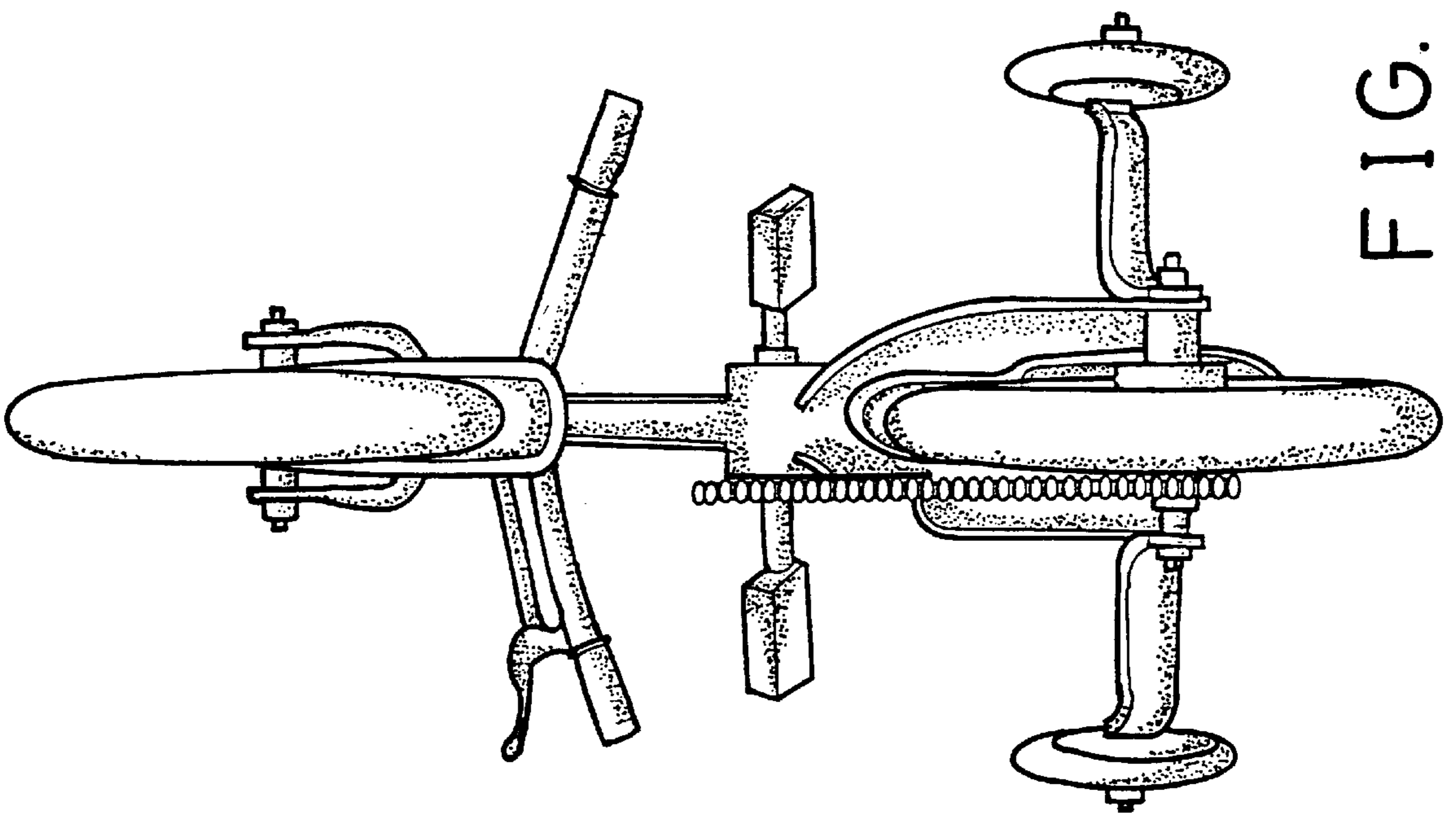


FIG. 5

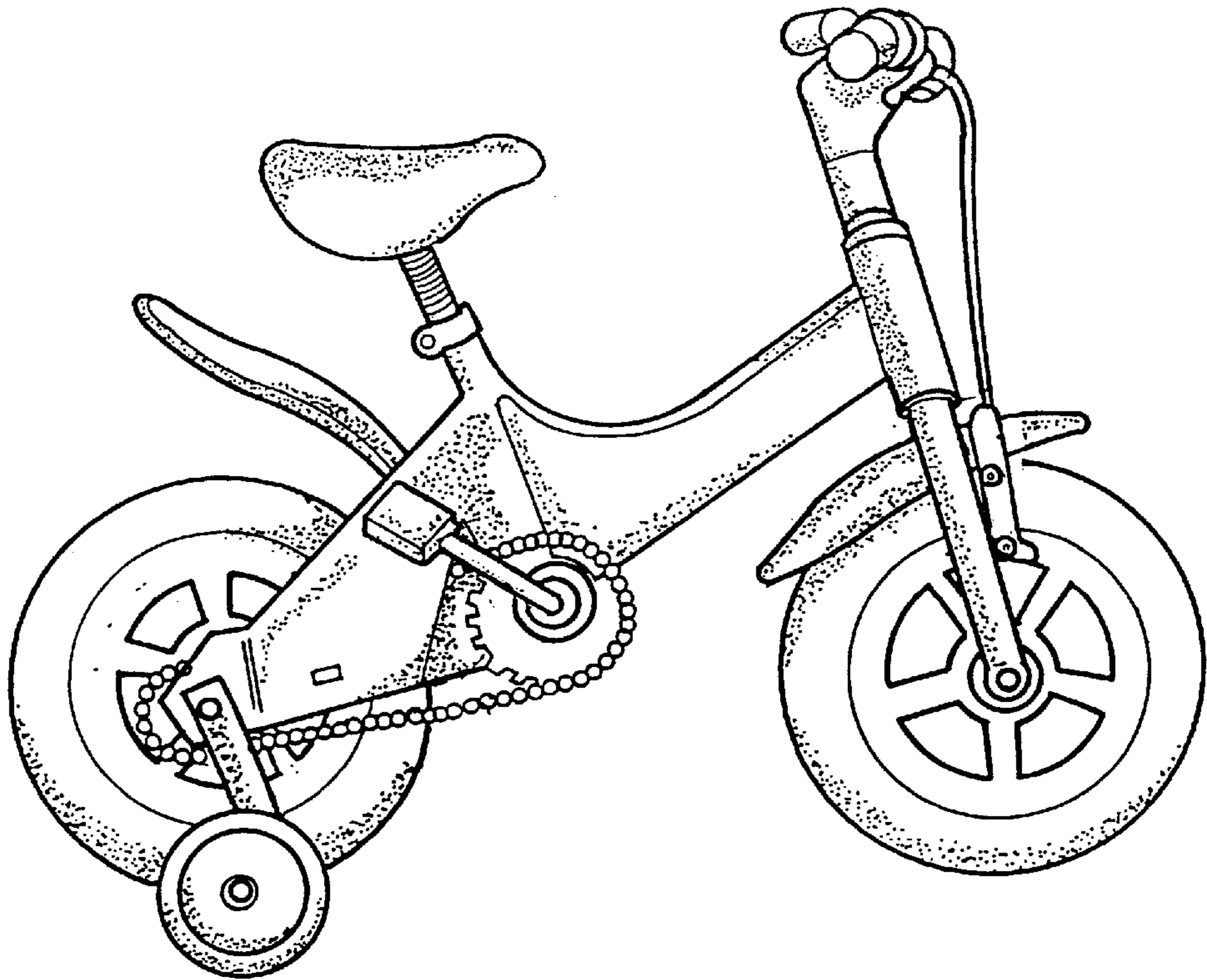


FIG. 6

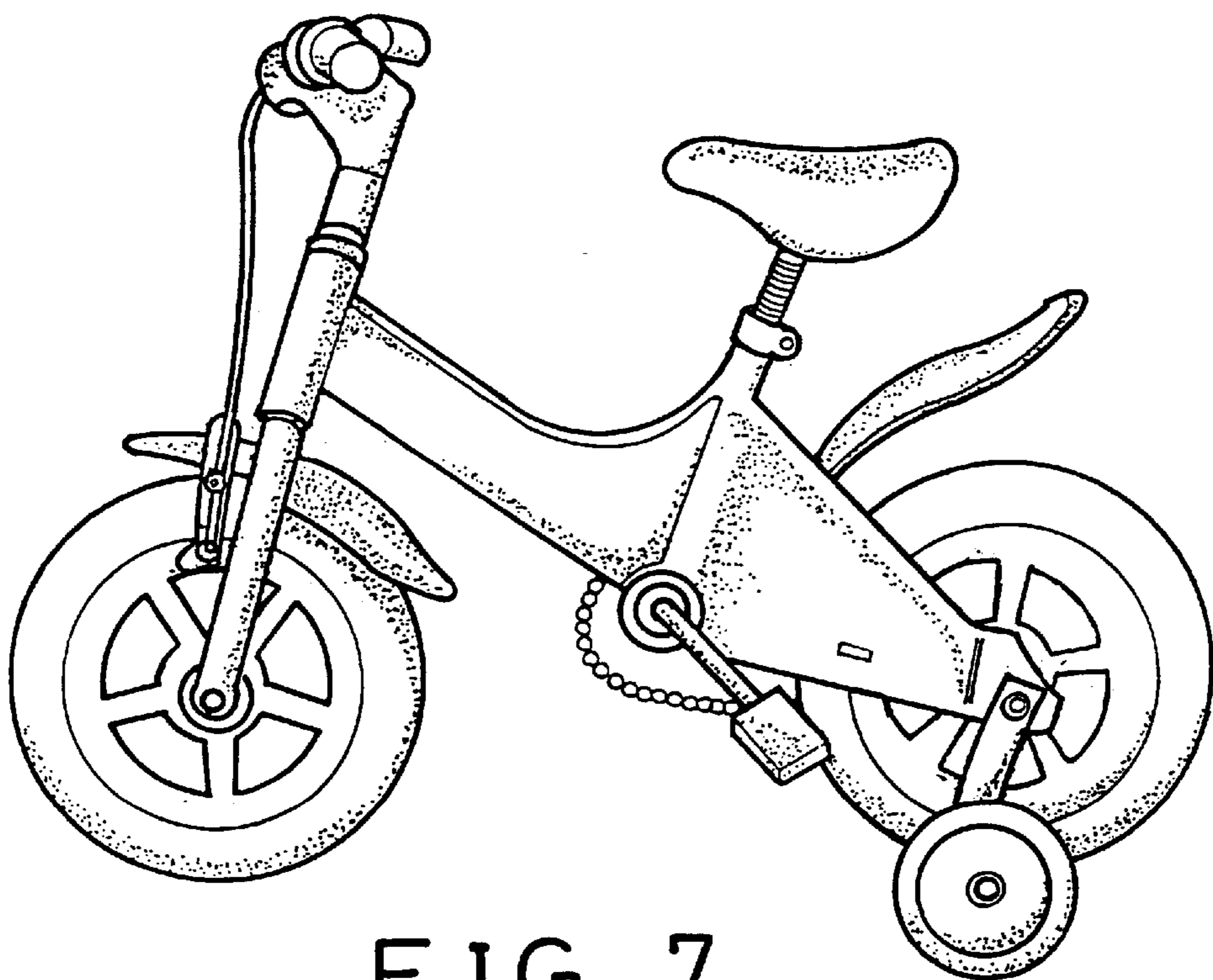


FIG. 7