



US00D410411S

United States Patent [19]
Fildan

[11] **Patent Number: Des. 410,411**
[45] **Date of Patent: ** Jun. 1, 1999**

[54] **MATERNITY BRASSIERE FRONT CLOSURE**

[76] Inventor: **Gerhard Fildan**, Anton Baumgartner
Str. 44, C 4 17 01, A-1232 Vienna,
Austria

[**] Term: **14 Years**

[21] Appl. No.: **29/085,063**

[22] Filed: **Mar. 16, 1998**

[51] **LOC (6) Cl.** **11-03**

[52] **U.S. Cl.** **D11/210**

[58] **Field of Search** D11/200, 208-211,
D11/230, 231, 218; D2/705, 706, 707, 708,
709, 710, 171, 853; 450/36, 58; 24/370,
615, 625, 326, 350; 2/323, 335-338

[56] **References Cited**

U.S. PATENT DOCUMENTS

D. 203,438	1/1966	Heimlich	D11/210
D. 274,862	7/1984	Fildan	D11/208
D. 369,327	4/1996	Fildan	24/171
2,783,516	3/1957	Stein	D11/231
3,136,018	6/1964	Cruse	D11/200
5,427,562	6/1995	Hwang	450/58
5,624,296	4/1997	Weber-Unger	450/36

Primary Examiner—Ralf Seifert

Attorney, Agent, or Firm—Herbert Dubno

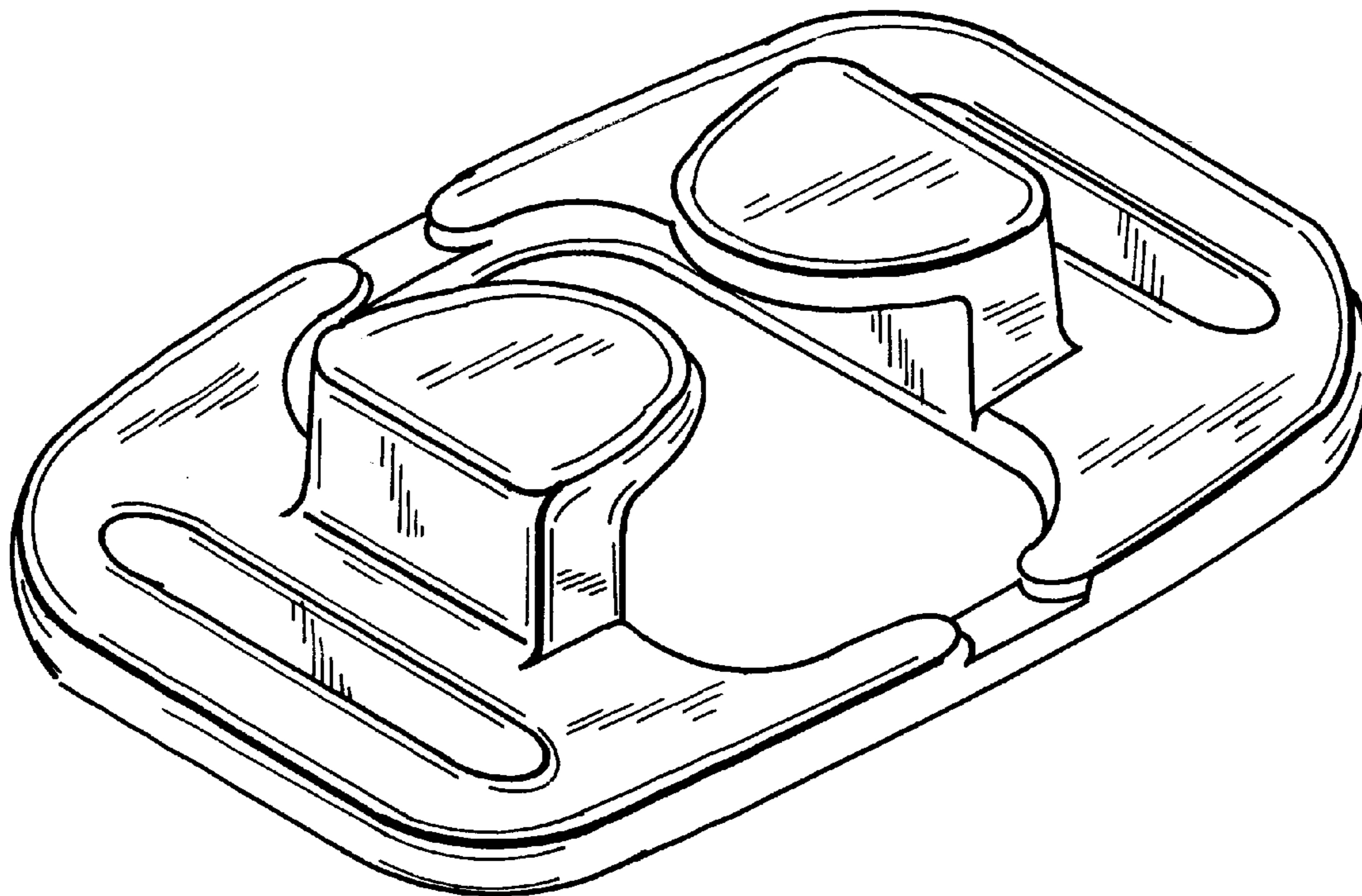
[57] **CLAIM**

The ornamental design for a maternity brassiere front closure, as shown and described.

DESCRIPTION

FIG. 1 is front elevational view of a maternity brassiere front closure showing my new design;
 FIG. 2 is a bottom view thereof, the top view being identical thereto;
 FIG. 3 is a left side elevational view thereof, the right side view being identical thereto;
 FIG. 4 is a rear elevational view thereof;
 FIG. 5 is a perspective view thereof;
 FIG. 6 is a front elevational view shown with the article in a position of use, the broken line showing of eyelets have illustrative purposes only and forms no part of the claim design;
 FIG. 7 is front elevational view of a maternity brassiere front closure showing a second embodiment of my new design;
 FIG. 8 is a bottom view of, FIG. 7;
 FIG. 9 is a side elevational of FIG. 7, the right side elevation being identical;
 FIG. 10 is a rear elevational view of FIG. 7; and,
 FIG. 11 is a cross sectional view taken along the line XI—XI of FIG. 7.

1 Claim, 5 Drawing Sheets



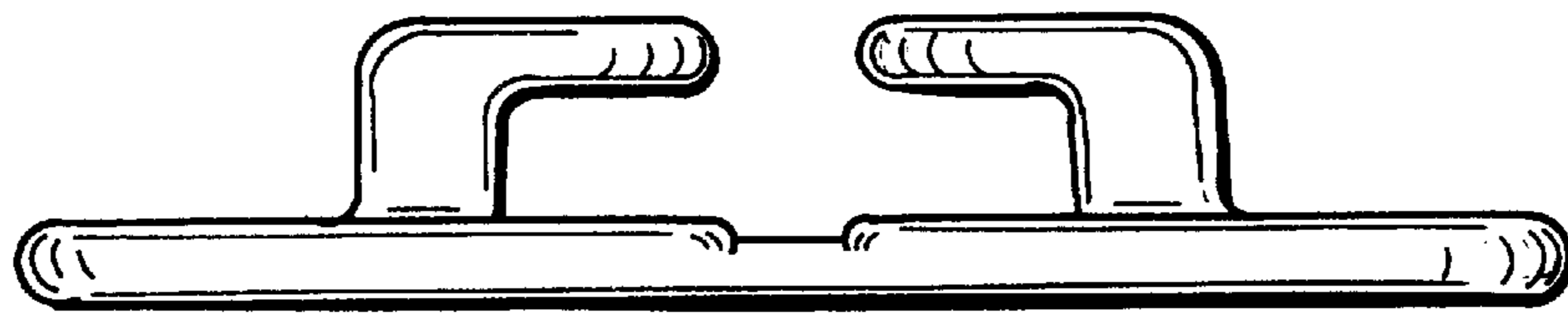


FIG. 2

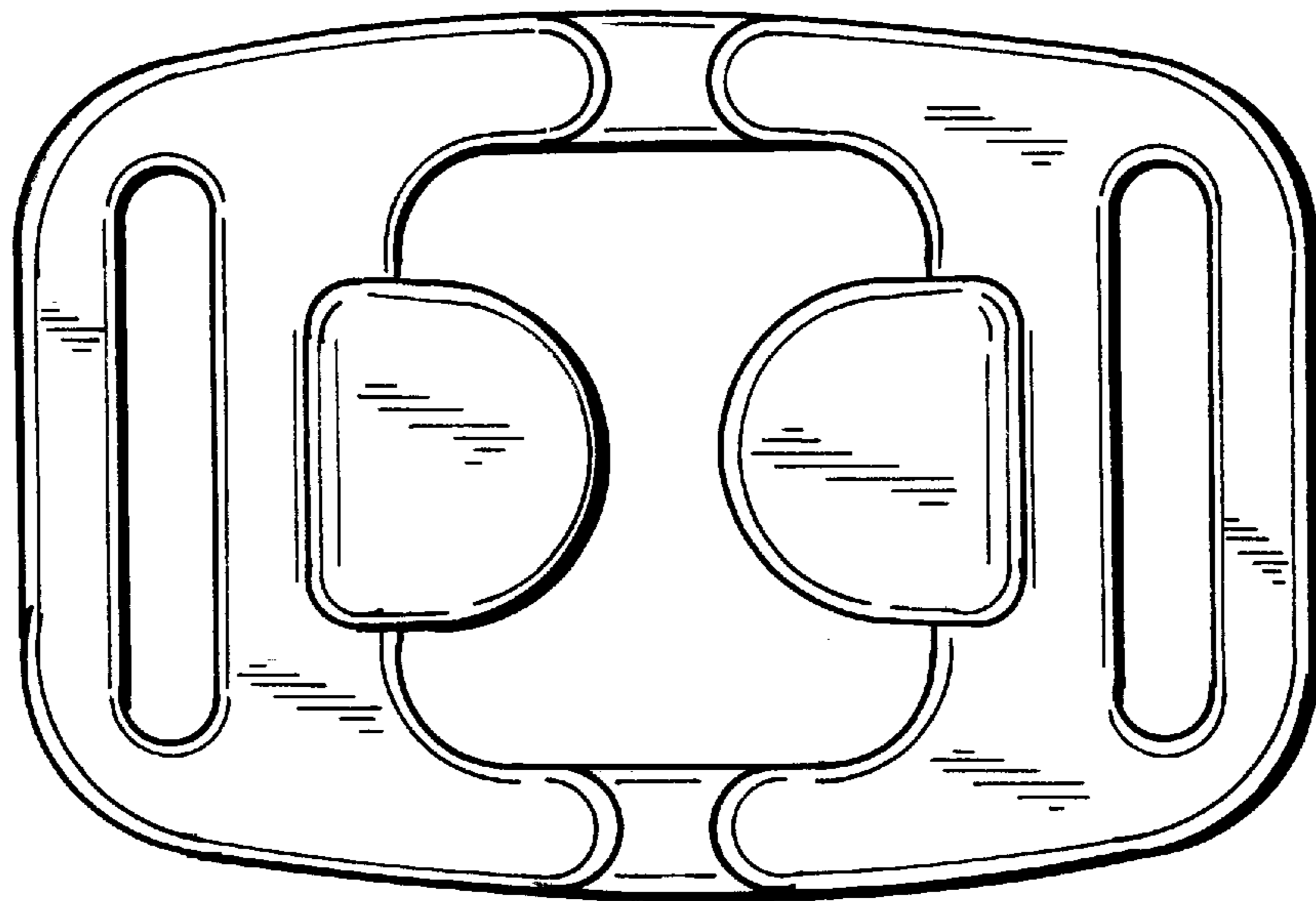


FIG. 1

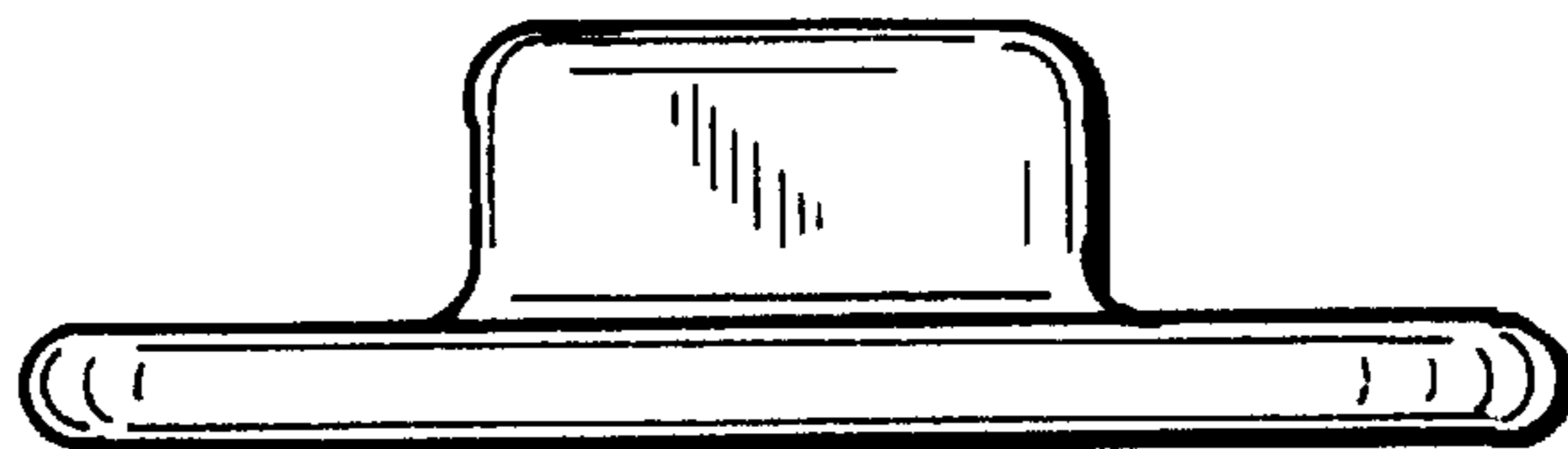


FIG. 3

FIG. 4

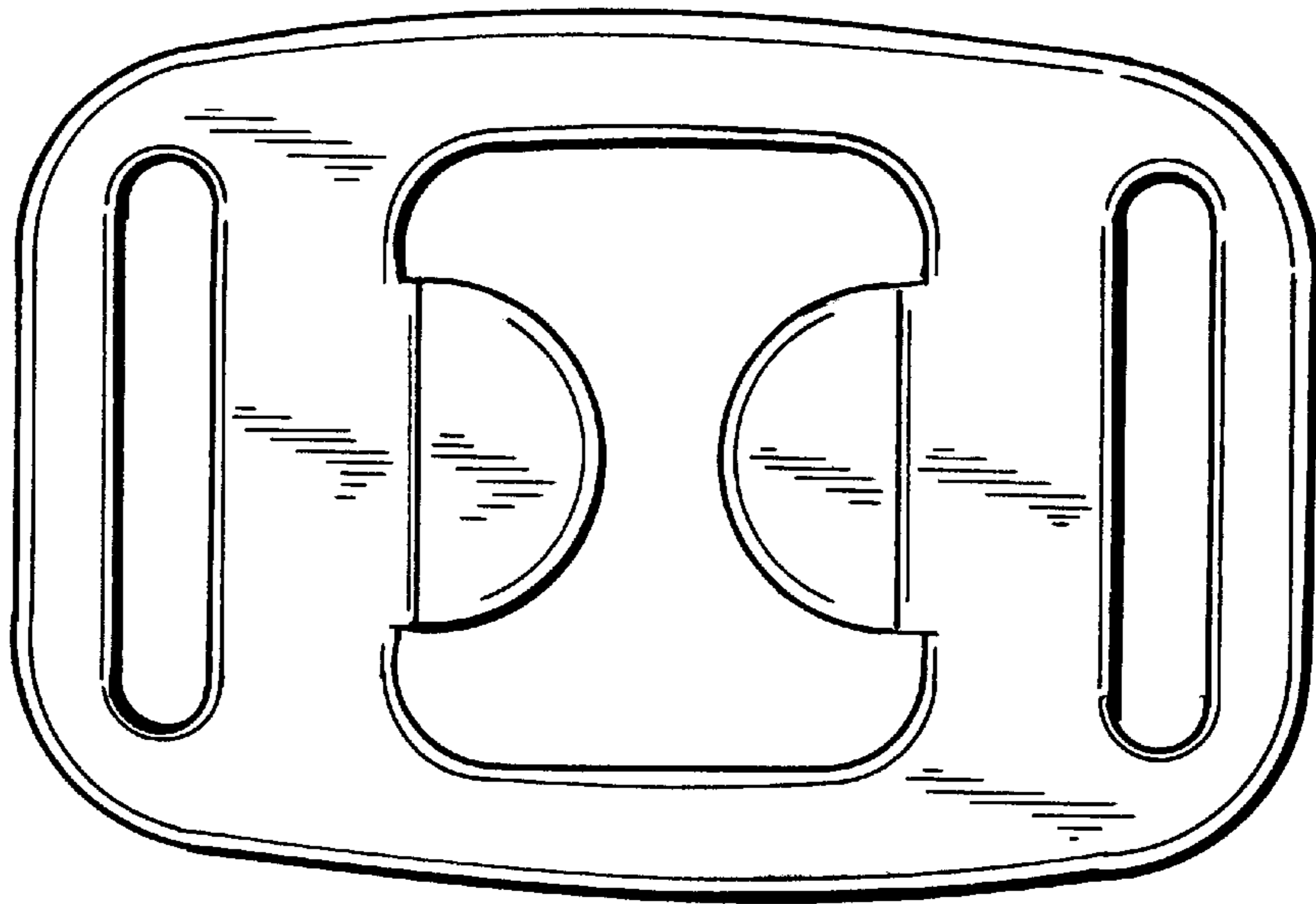


FIG. 6

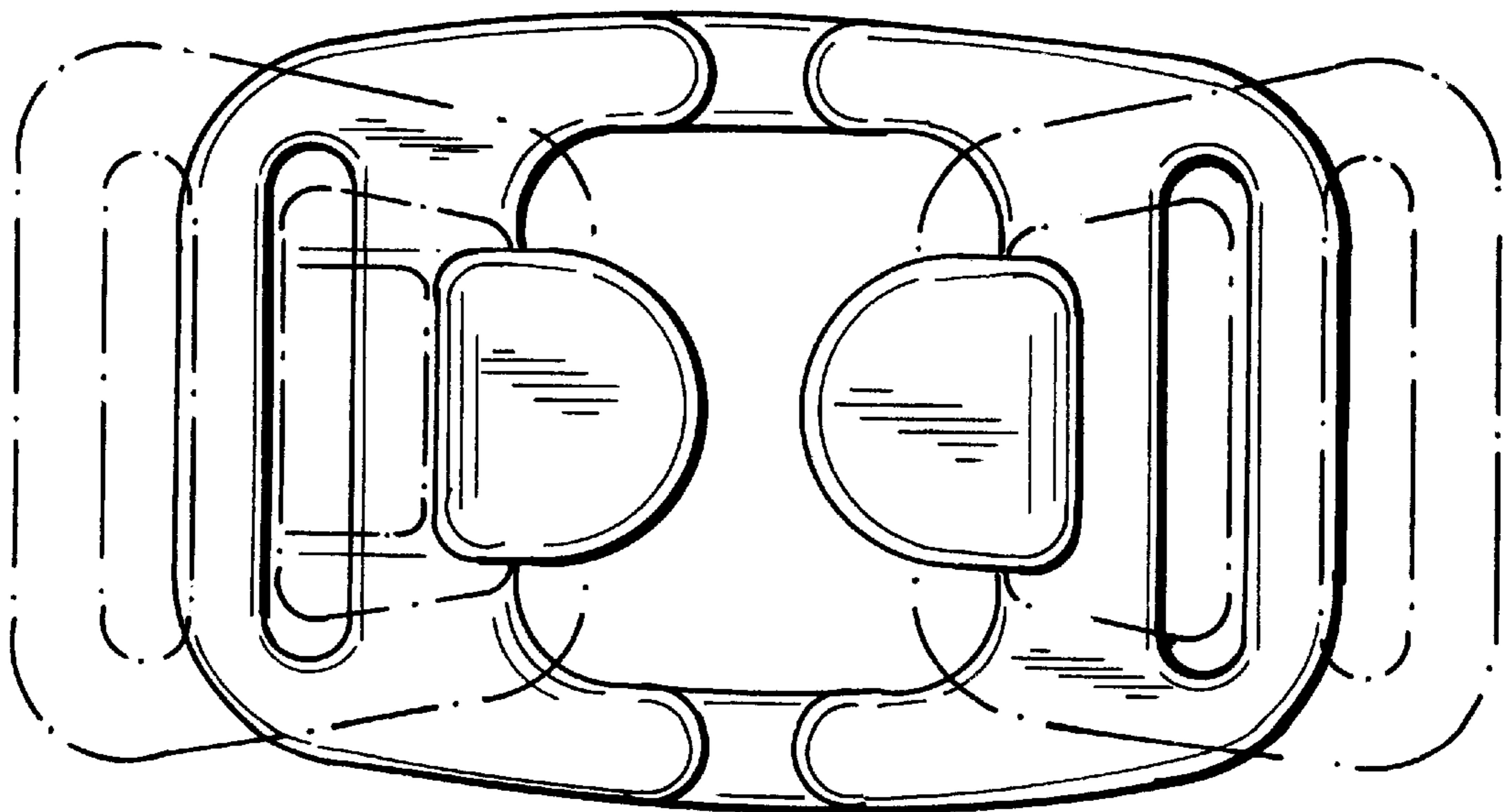


FIG. 5

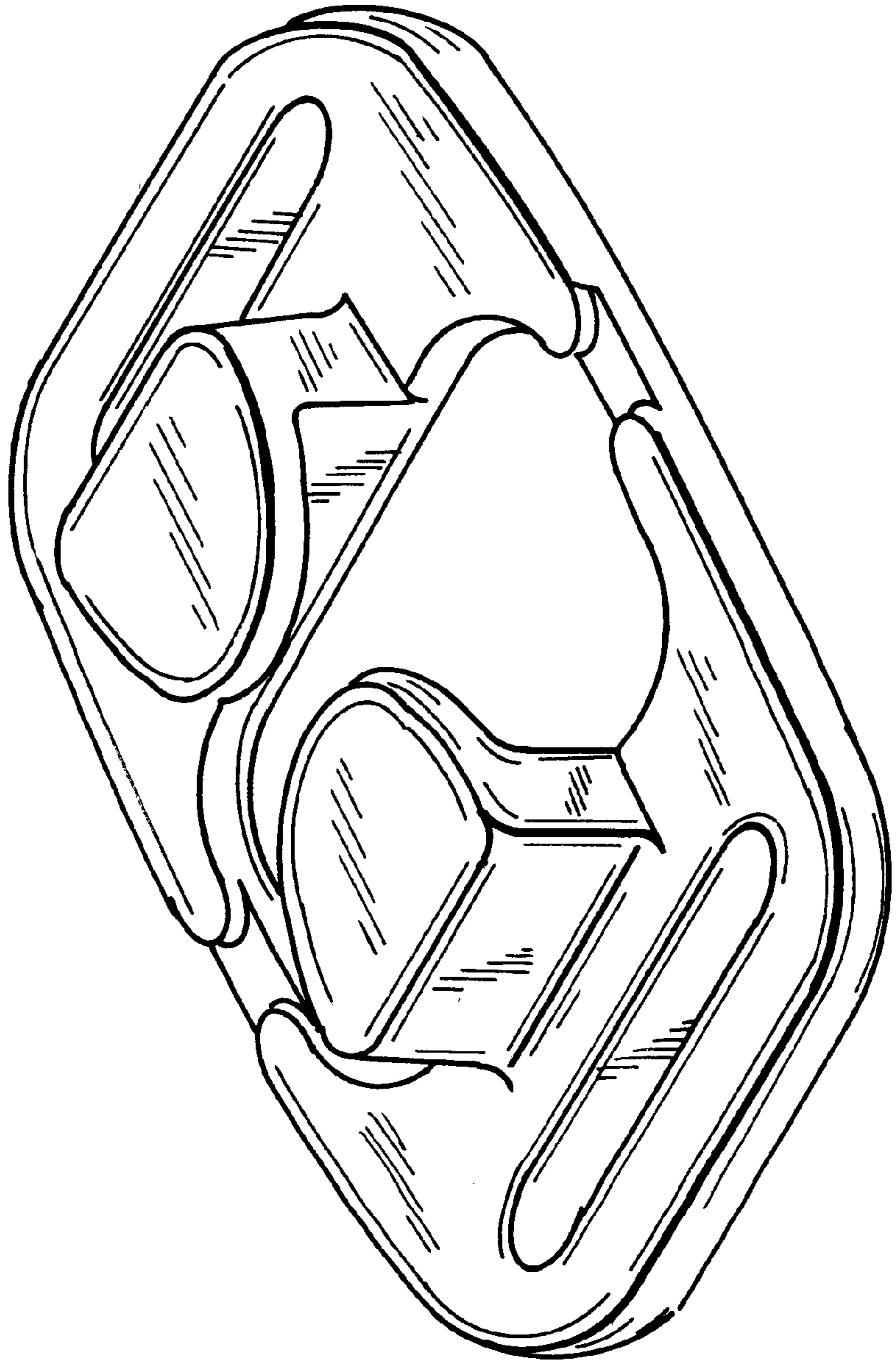


FIG. 7

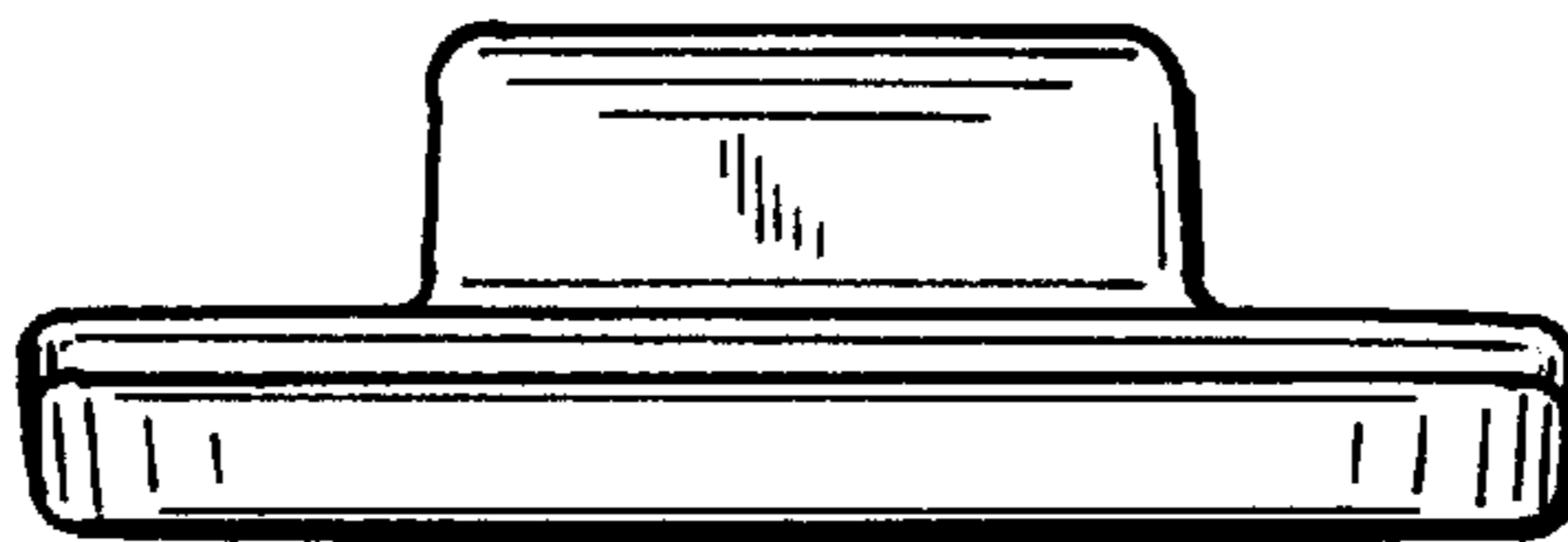
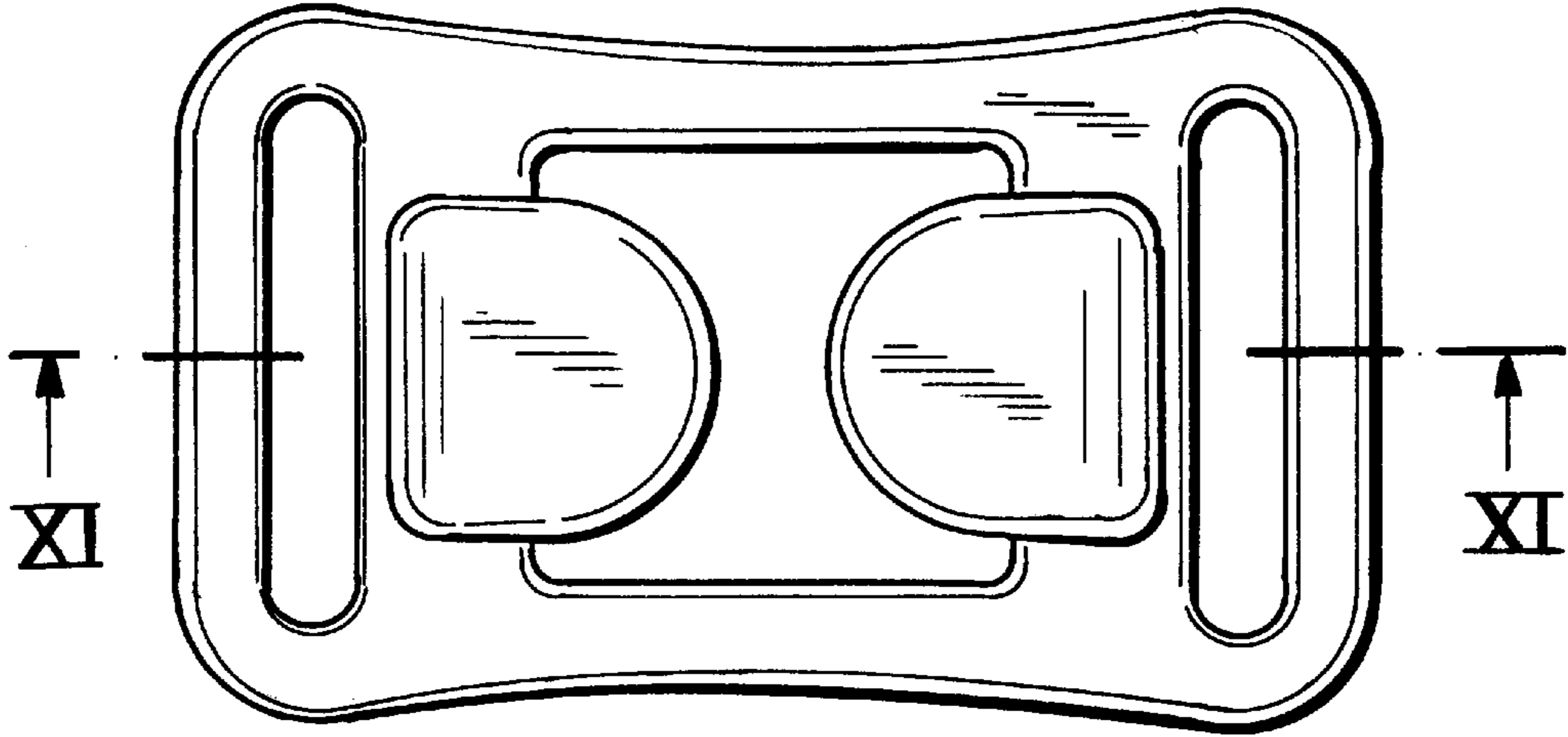


FIG. 9

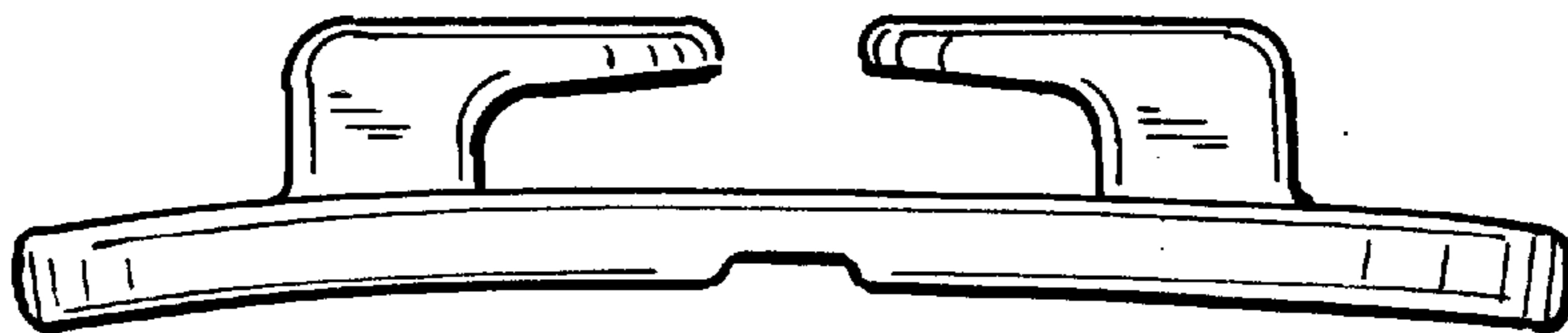


FIG. 8

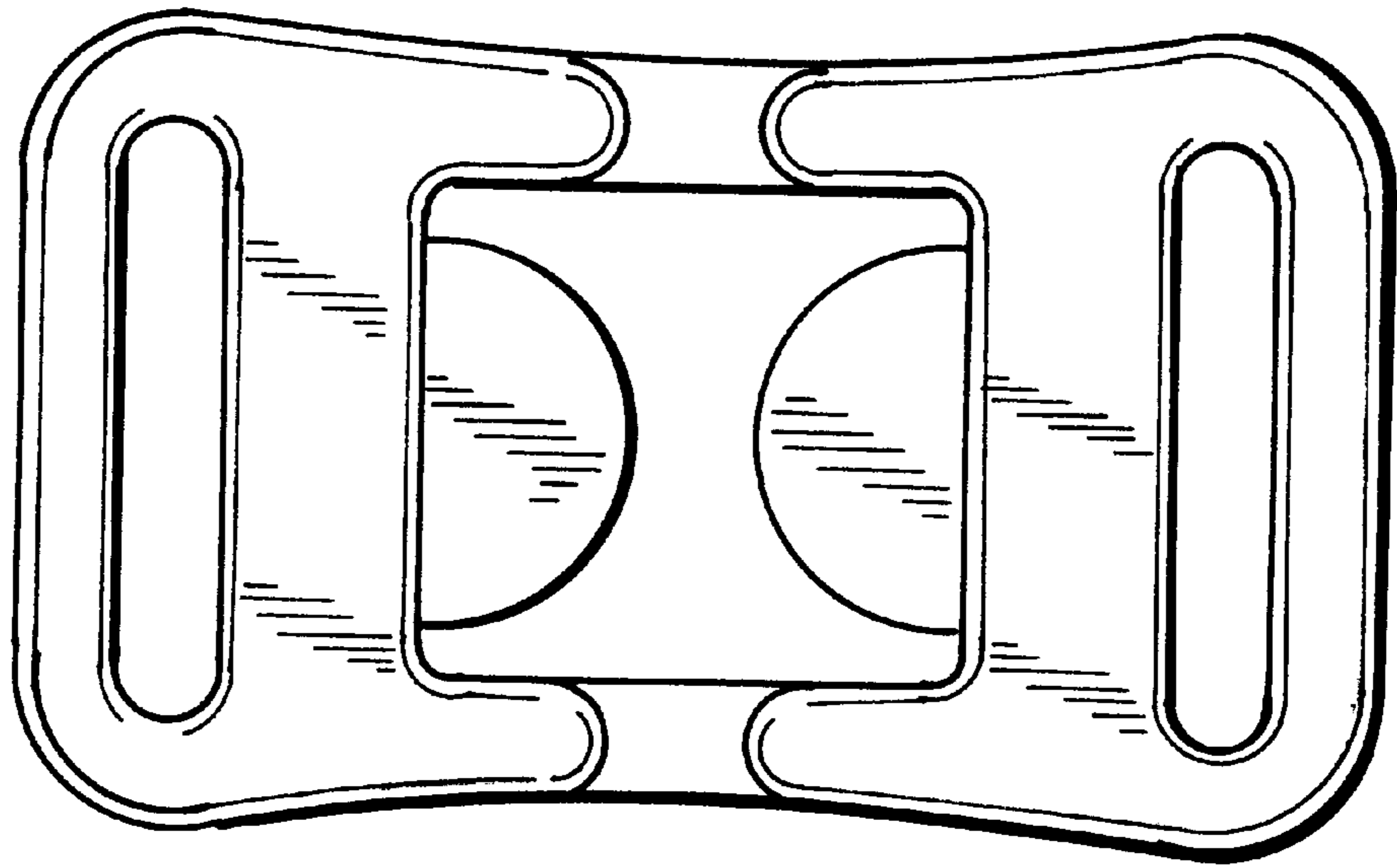


FIG. 10

FIG. 11

