



US00D410403S

United States Patent [19] Sugino

[11] **Patent Number: Des. 410,403**
[45] **Date of Patent: ** Jun. 1, 1999**

[54] **VOICE RECOGNITION ADAPTER**

[75] Inventor: **Kenichi Sugino**, Kyoto, Japan

[73] Assignee: **Nintendo Co., Ltd.**, Japan

[**] Term: **14 Years**

[21] Appl. No.: **29/087,614**

[22] Filed: **May 6, 1998**

[30] **Foreign Application Priority Data**

Nov. 7, 1997 [JP] Japan 9-74247

[51] **LOC (6) Cl.** **10-05**

[52] **U.S. Cl.** **D10/116**

[58] **Field of Search** D10/104, 116,
D10/118; D14/158, 159, 141, 160, 161,
163, 1, 165, 167, 299; 340/384 E, 392,
393, 404, 405, 406, 407

[56] **References Cited**

U.S. PATENT DOCUMENTS

D. 320,203 9/1991 Ashida .
D. 328,617 8/1992 Emmel et al. D21/59

D. 360,158 7/1995 Hamof D10/116
D. 362,846 10/1995 Inoue et al. .
D. 371,353 7/1996 Ashida et al. .
D. 376,148 12/1996 Moallemi et al. D14/160
D. 376,795 12/1996 Ashida .
D. 377,488 1/1997 Ashida .

Primary Examiner—Marcus A. Jackson
Attorney, Agent, or Firm—Nixon & Vanderhye P.C.

[57] **CLAIM**

The ornamental design for a “voice recognition adapter”, as shown and described.

DESCRIPTION

FIG. 1 is a top plan view of the voice recognition adapter in accordance with my new design;
FIG. 2 is a front elevation view thereof;
FIG. 3 is a rear elevational view thereof;
FIG. 4 is a right side elevation view thereof, the left side being substantially identical thereto;
FIG. 5 is a bottom plan view thereof;
FIG. 6 is a top right front perspective view thereof; and,
FIG. 7 is a bottom right rear perspective view thereof.

1 Claim, 3 Drawing Sheets

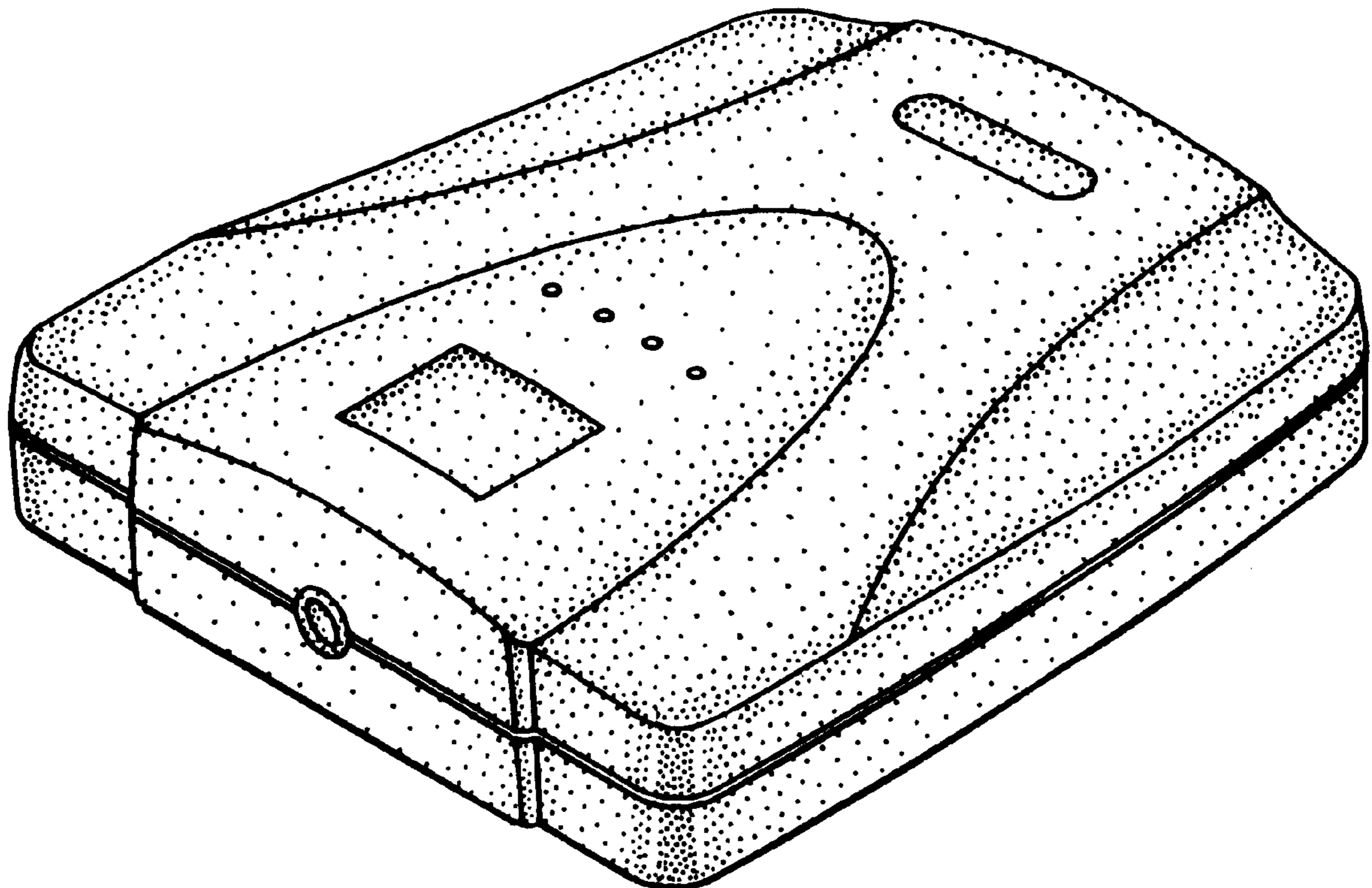


Fig. 1

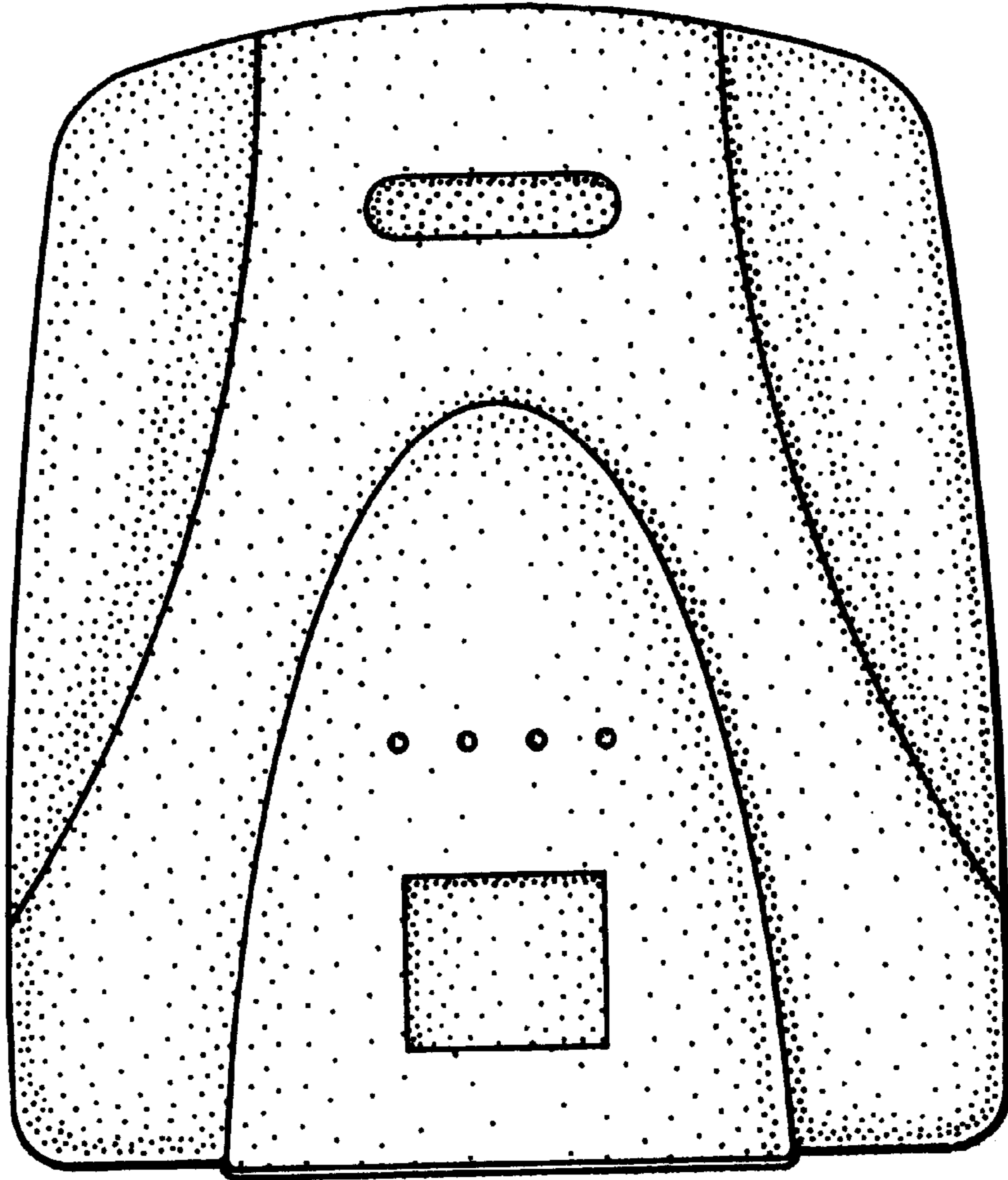


Fig. 2

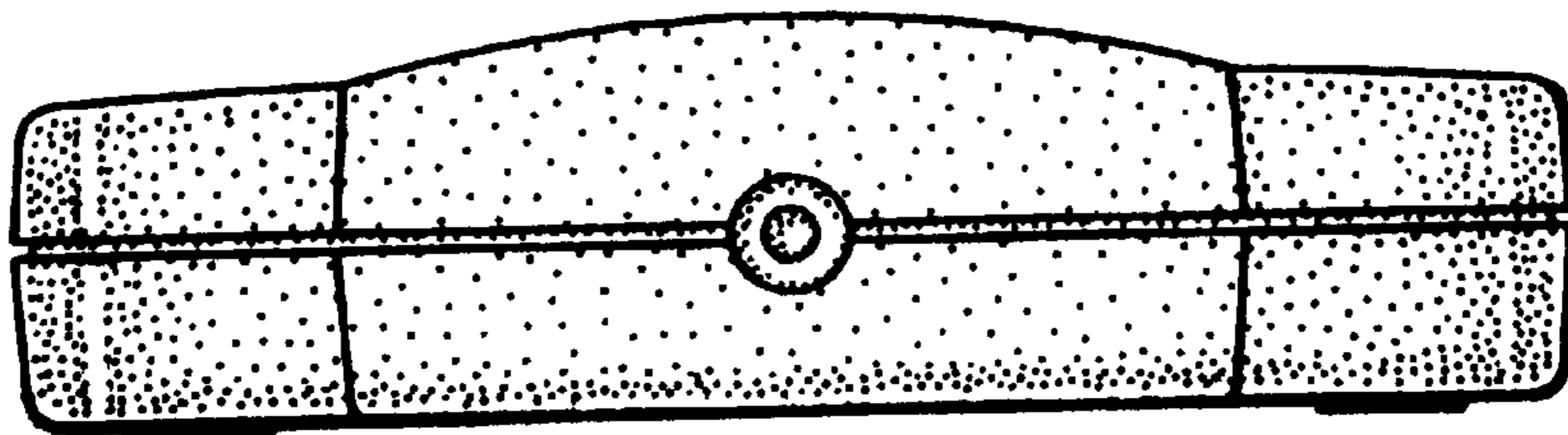


Fig. 4

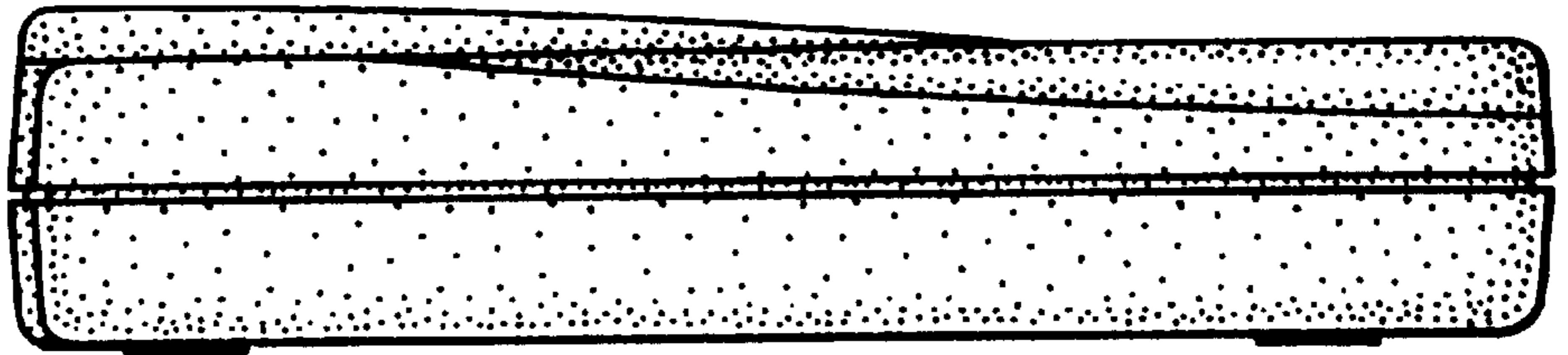


Fig. 5

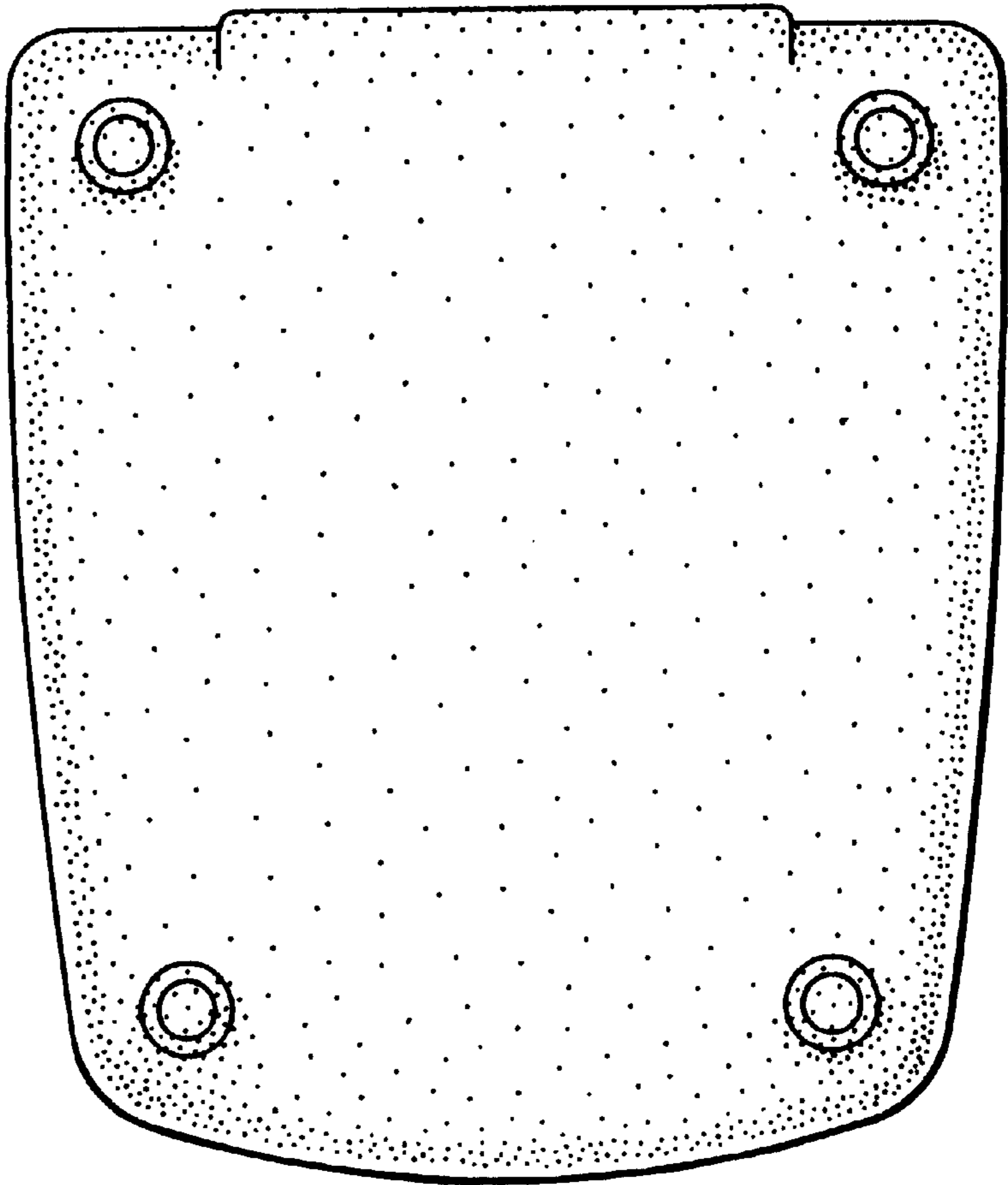


Fig. 3

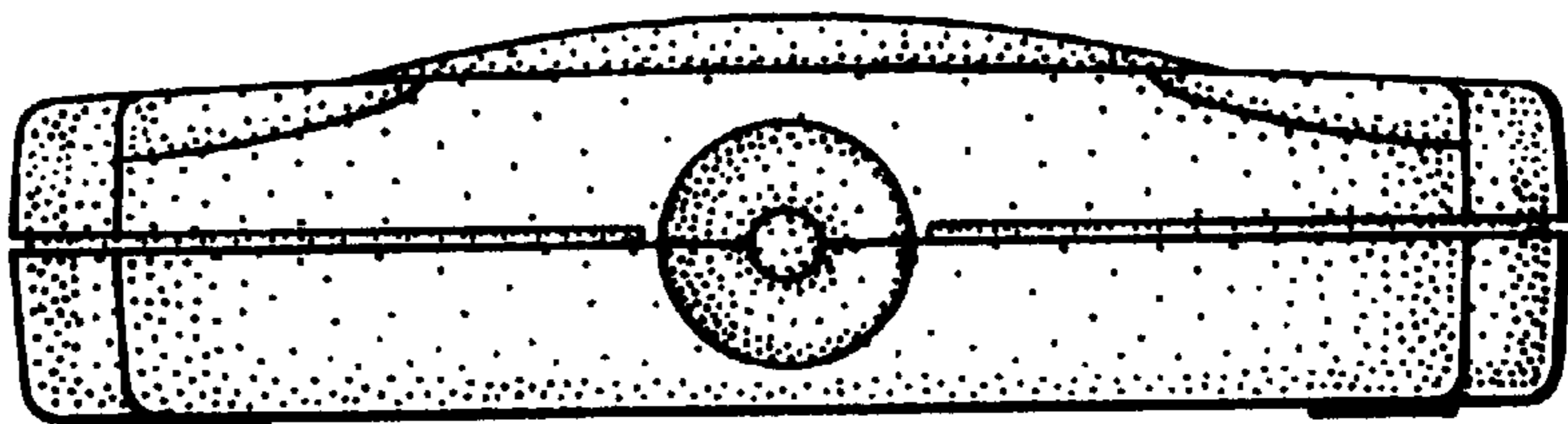


Fig. 6

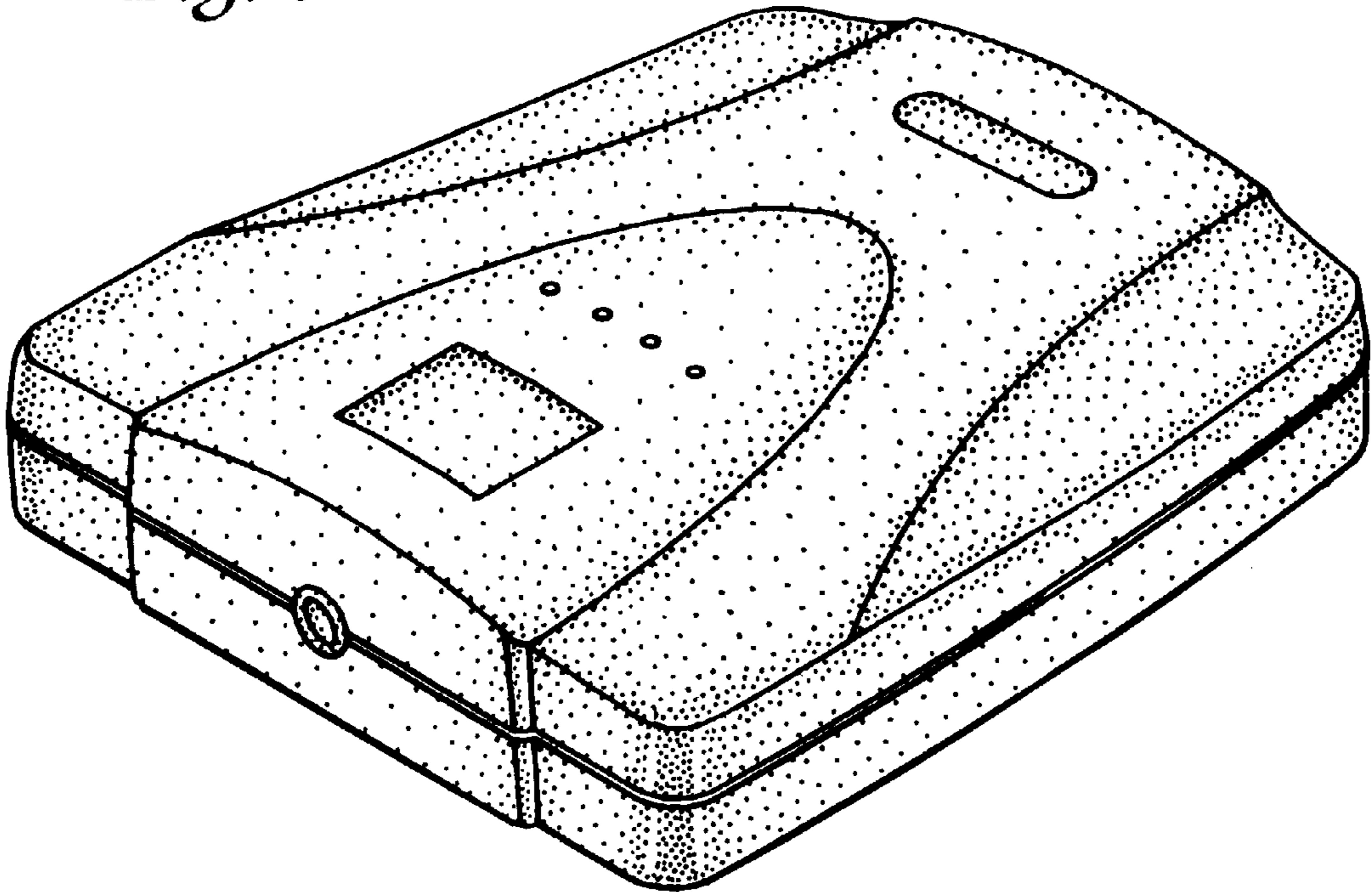


Fig. 7

