



US00D410398S

United States Patent [19]

[11] Patent Number: Des. 410,398

Hutton et al.

[45] Date of Patent: ** Jun. 1, 1999

[54] MANIFOLD

[76] Inventors: Peter B. Hutton, 2024 26 A Street S.W., Calgary, Alberta, Canada, T3E 2C1; Alan F. Chou, 907 Venice St., Sugar Land, Tex. 77478; Jeffrey T. Lynch, 3822 Senna Pl., Sugar Land, Tex. 77479; James W. Spahr, 8511 Concho St., Houston, Tex. 77036

[**] Term: 14 Years

[21] Appl. No.: 29/080,335

[22] Filed: Dec. 4, 1997

[51] LOC (6) Cl. 10-04

[52] U.S. Cl. D10/96

[58] Field of Search D10/96; 73/23.2, 73/40.5 R, 756; 137/343, 552, 577, 580, 597, 844, 1

| | | |
|-----------|---------|------------------------|
| 4,921,072 | 5/1990 | Divisi . |
| 4,977,917 | 12/1990 | Adams . |
| 4,993,754 | 2/1991 | Templin, Jr. . |
| 5,036,884 | 8/1991 | Miller et al. . |
| 5,048,569 | 9/1991 | Stoll et al. . |
| 5,117,867 | 6/1992 | Adams . |
| 5,209,258 | 5/1993 | Sharp et al. . |
| 5,248,167 | 9/1993 | Petrich et al. . |
| 5,272,646 | 12/1993 | Farmer . |
| 5,277,224 | 1/1994 | Hutton et al. . |
| 5,303,733 | 4/1994 | Nelson . |
| 5,449,294 | 9/1995 | Rench et al. . |
| 5,494,071 | 2/1996 | Bell et al. . |
| 5,709,247 | 1/1998 | Hutton 137/597 X |

FOREIGN PATENT DOCUMENTS

| | | |
|-------------|--------|------------------|
| 1008701 | 4/1977 | Canada . |
| 2086535 | 5/1982 | United Kingdom . |
| 2271164 | 4/1994 | United Kingdom . |
| WO 93/05329 | 3/1993 | WIPO . |

OTHER PUBLICATIONS

Flier: "Safti-fold®" 3 Valve Unimount.
 Brochure: Manifolds. Century Valve Ltd., Calgary, Alberta, Canada.
 Flier: DA Minimatic Three Valve Manifold. DA Mfg. Co., Tulia, Texas. Jun. 20, 1978.
 Brochure: Instrumentation Manifolds: The World Standard. Bulletin 4190. Parker Fluid Connections. Dec. 1992.

Primary Examiner—Antoine Duval Davis
 Attorney, Agent, or Firm—Browning Bushman

[57] CLAIM

The ornamental design for a manifold, as shown and described.

DESCRIPTION

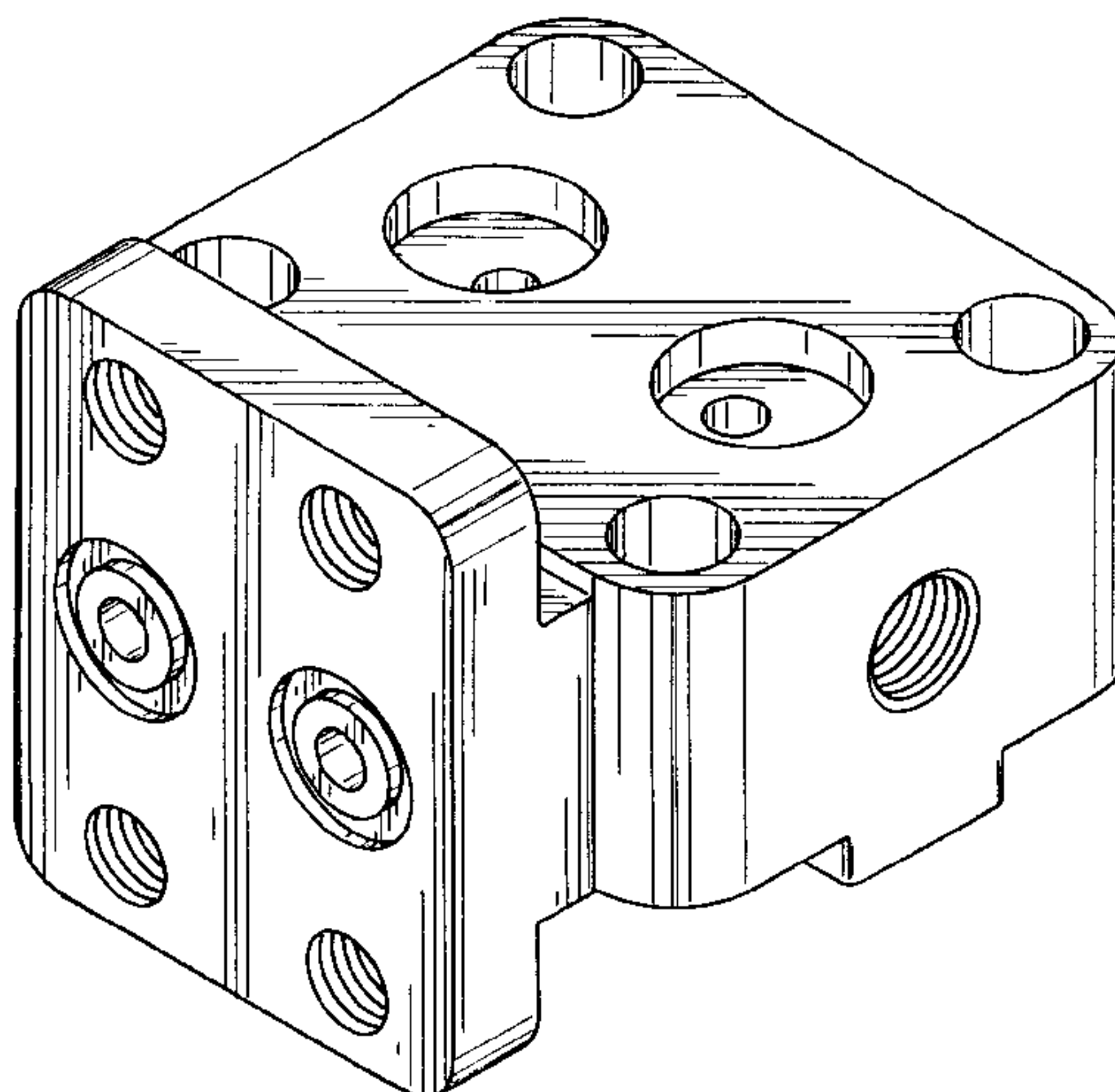
FIG. 1 is a perspective view of the front and top of a manifold showing our new design;
 FIG. 2 is a top, plan view thereof;
 FIG. 3 is an elevational view of one side thereof, the other side view being identical;
 FIG. 4 is a front, elevational view thereof;
 FIG. 5 is a rear, elevational view thereof; and,
 FIG. 6 is a bottom, plan view thereof.

1 Claim, 3 Drawing Sheets

[56] References Cited

U.S. PATENT DOCUMENTS

| | | |
|------------|---------|------------------------|
| Re. 34,610 | 5/1994 | Miller et al. . |
| D. 317,266 | 6/1991 | Broden et al. . |
| D. 318,432 | 7/1991 | Broden et al. . |
| 3,564,923 | 2/1971 | Nudd, Jr. et al. . |
| 3,596,680 | 8/1971 | Adams . |
| 3,618,390 | 11/1971 | Frick . |
| 3,653,405 | 4/1972 | Nelson . |
| 3,768,511 | 10/1973 | Bias . |
| 3,817,283 | 6/1974 | Hewson . |
| 4,182,362 | 1/1980 | Hewson et al. . |
| 4,193,420 | 3/1980 | Hewson . |
| 4,215,721 | 8/1980 | Hetherington et al. . |
| 4,281,683 | 8/1981 | Hetherington et al. . |
| 4,319,492 | 3/1982 | Hewson et al. . |
| 4,466,290 | 8/1984 | Frick . |
| 4,494,568 | 1/1985 | Young . |
| 4,602,657 | 7/1986 | Anderson, Jr. et al. . |
| 4,672,728 | 6/1987 | Nimberger . |
| 4,726,399 | 2/1988 | Miller . |
| 4,738,276 | 4/1988 | Adams . |
| 4,745,810 | 5/1988 | Pierce et al. . |
| 4,798,089 | 1/1989 | Frick et al. . |
| 4,833,922 | 5/1989 | Frick et al. . |
| 4,865,360 | 9/1989 | Adams . |
| 4,879,912 | 11/1989 | Suckow . |



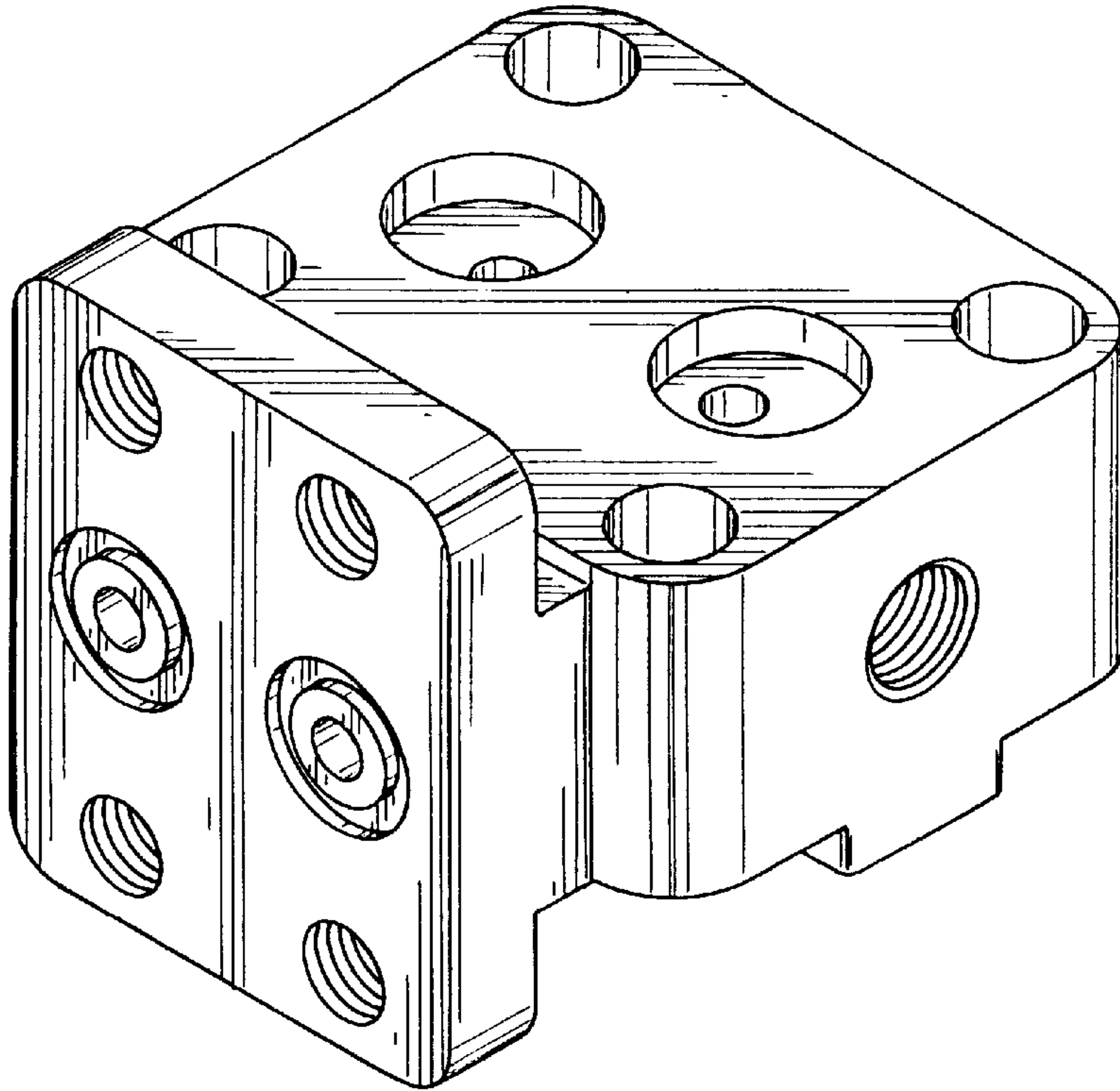


FIG. 1

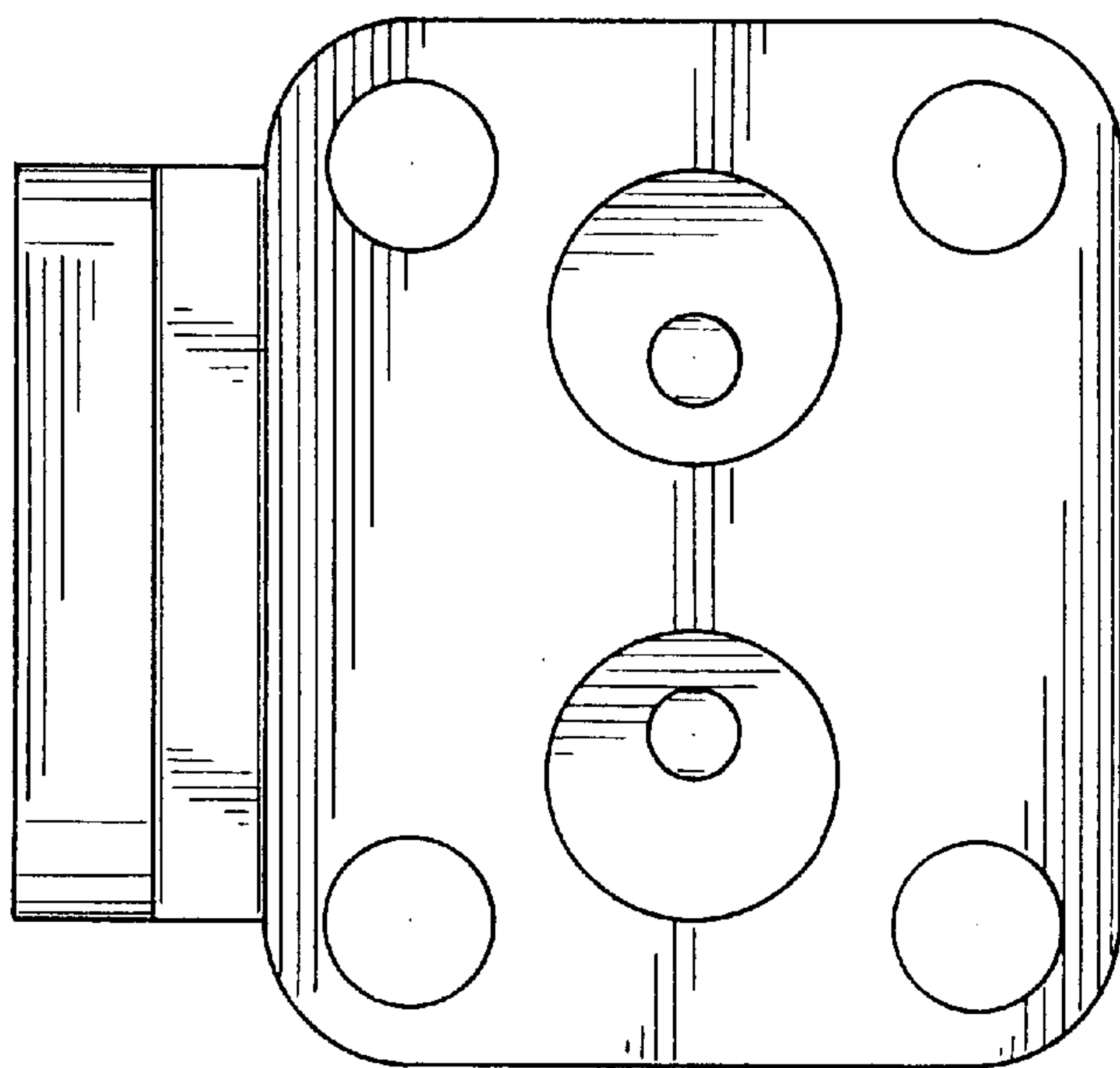


FIG. 2

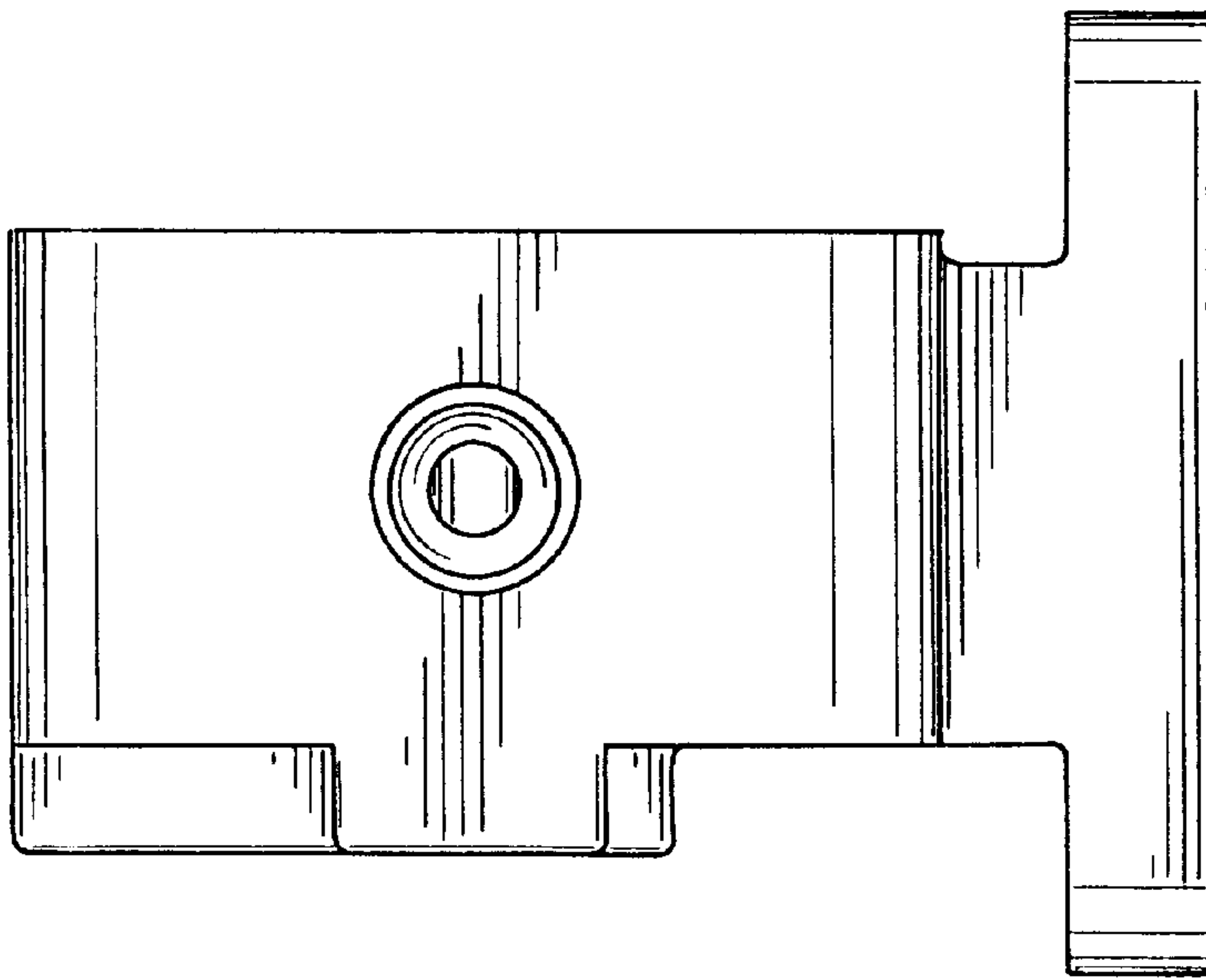


FIG. 3

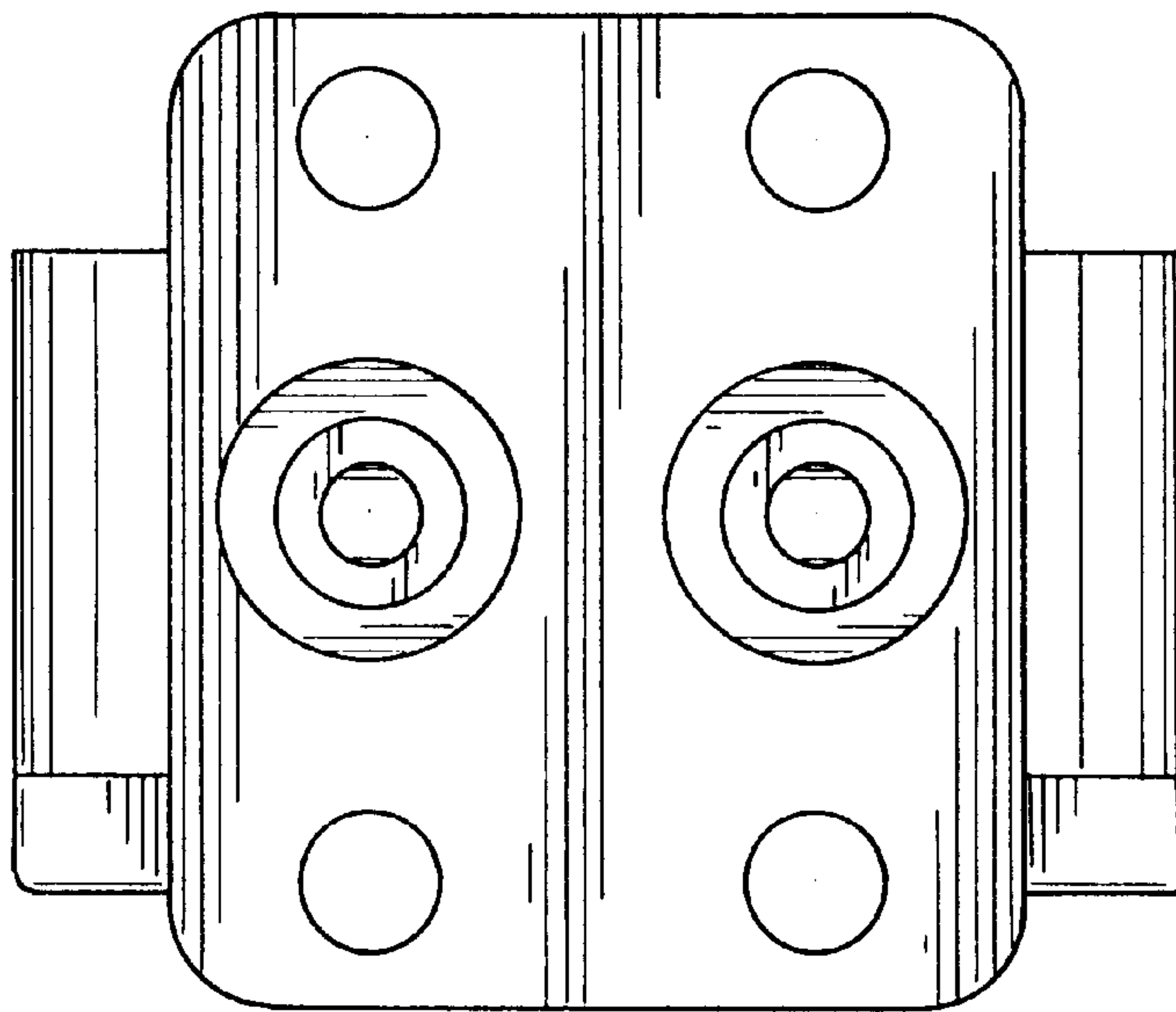


FIG. 4

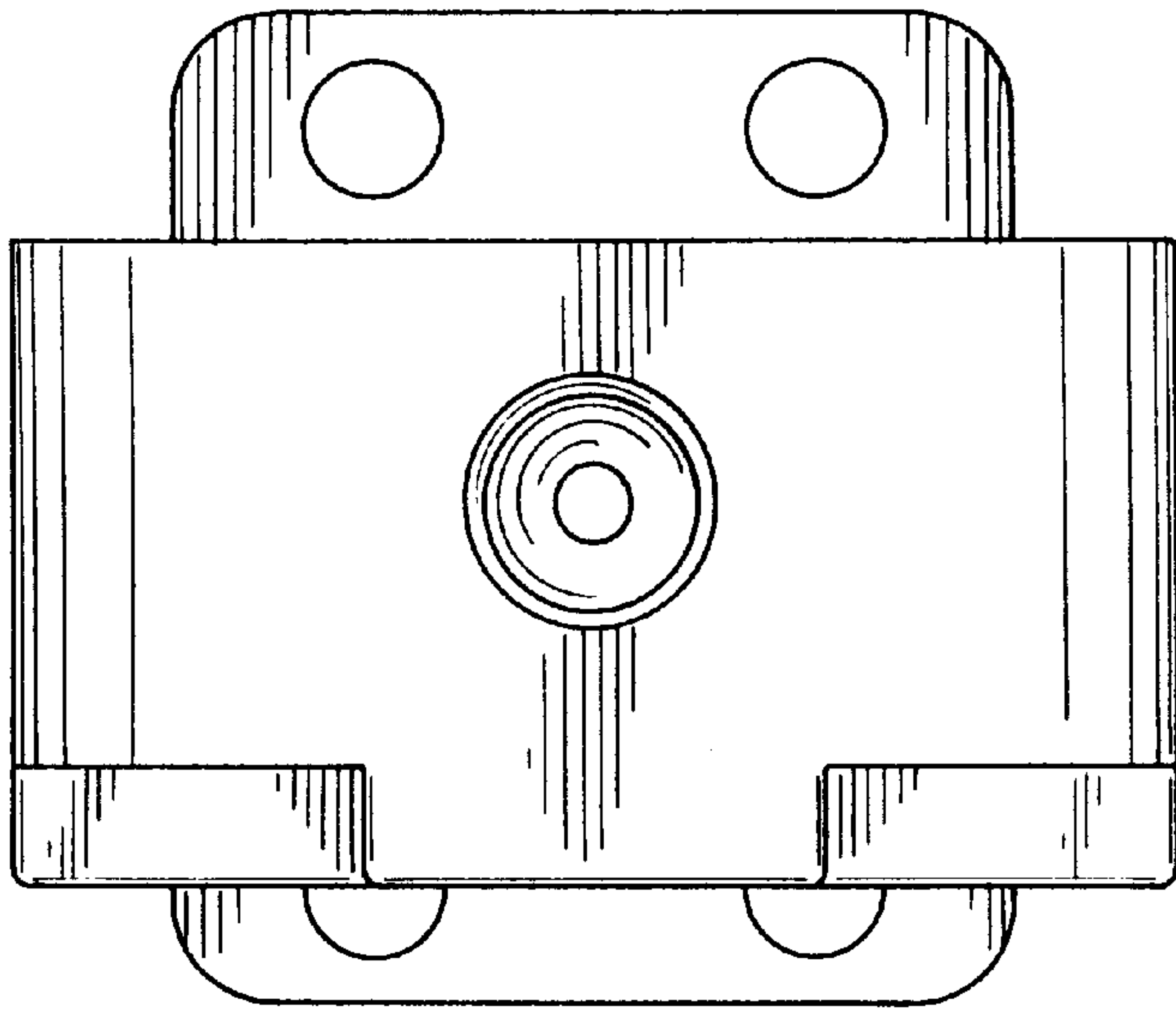


FIG. 5

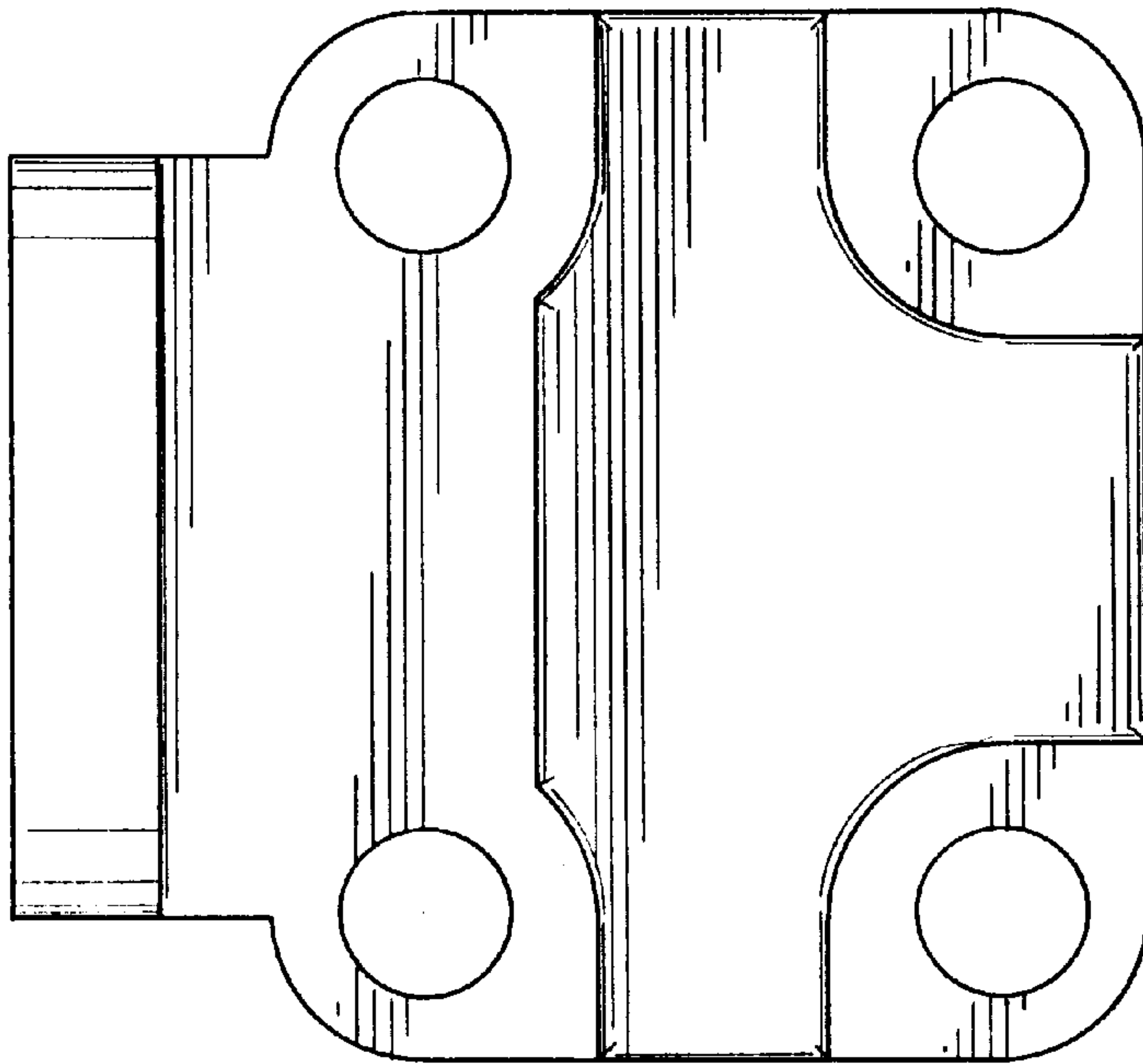


FIG. 6