



US00D410395S

United States Patent [19] Li

[11] **Patent Number: Des. 410,395**
[45] **Date of Patent: ** Jun. 1, 1999**

[54] **TAPE MEASURE**

[76] Inventor: **Shih Lin Li**, No. 22, Lane 81, Sec. 2,
Tunha S. Rd., Taipei, Taiwan

[**] Term: **14 Years**

[21] Appl. No.: **29/087,345**

[22] Filed: **Apr. 29, 1998**

[51] **LOC (6) Cl.** **10-04**

[52] **U.S. Cl.** **D10/72**

[58] **Field of Search** D10/72; 33/755-769;
242/292, 381.4, 381.6

[56] **References Cited**

U.S. PATENT DOCUMENTS

- D. 279,553 7/1985 Drechsler D10/72
- D. 303,772 10/1989 Maier et al. D10/72 X

D. 347,243 5/1994 Thomas-Cote et al. D10/72 X

Primary Examiner—Antoine Duval Davis
Attorney, Agent, or Firm—Pro-Techtor International Services

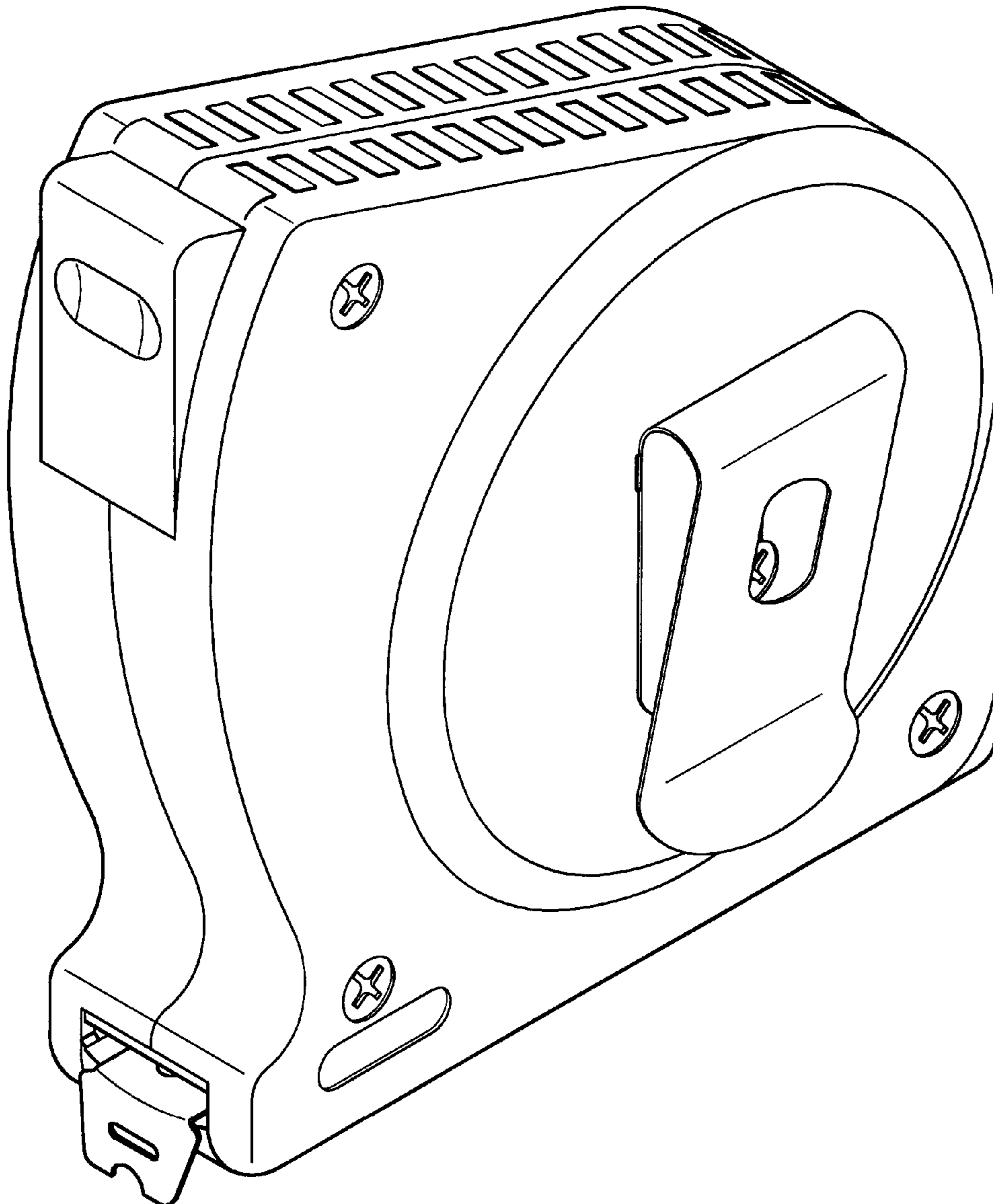
[57] **CLAIM**

The ornamental design for a tape measure, as shown.

DESCRIPTION

FIG. 1 is a front right perspective view of a tape measure showing my design;
FIG. 2 is a front perspective view thereof;
FIG. 3 is a rear perspective view thereof;
FIG. 4 is a left side elevation view thereof; and
FIG. 5 is a right side elevation view thereof.
FIG. 6 is a top plan view thereof; and,
FIG. 7 is a bottom plan view thereof.

1 Claim, 4 Drawing Sheets



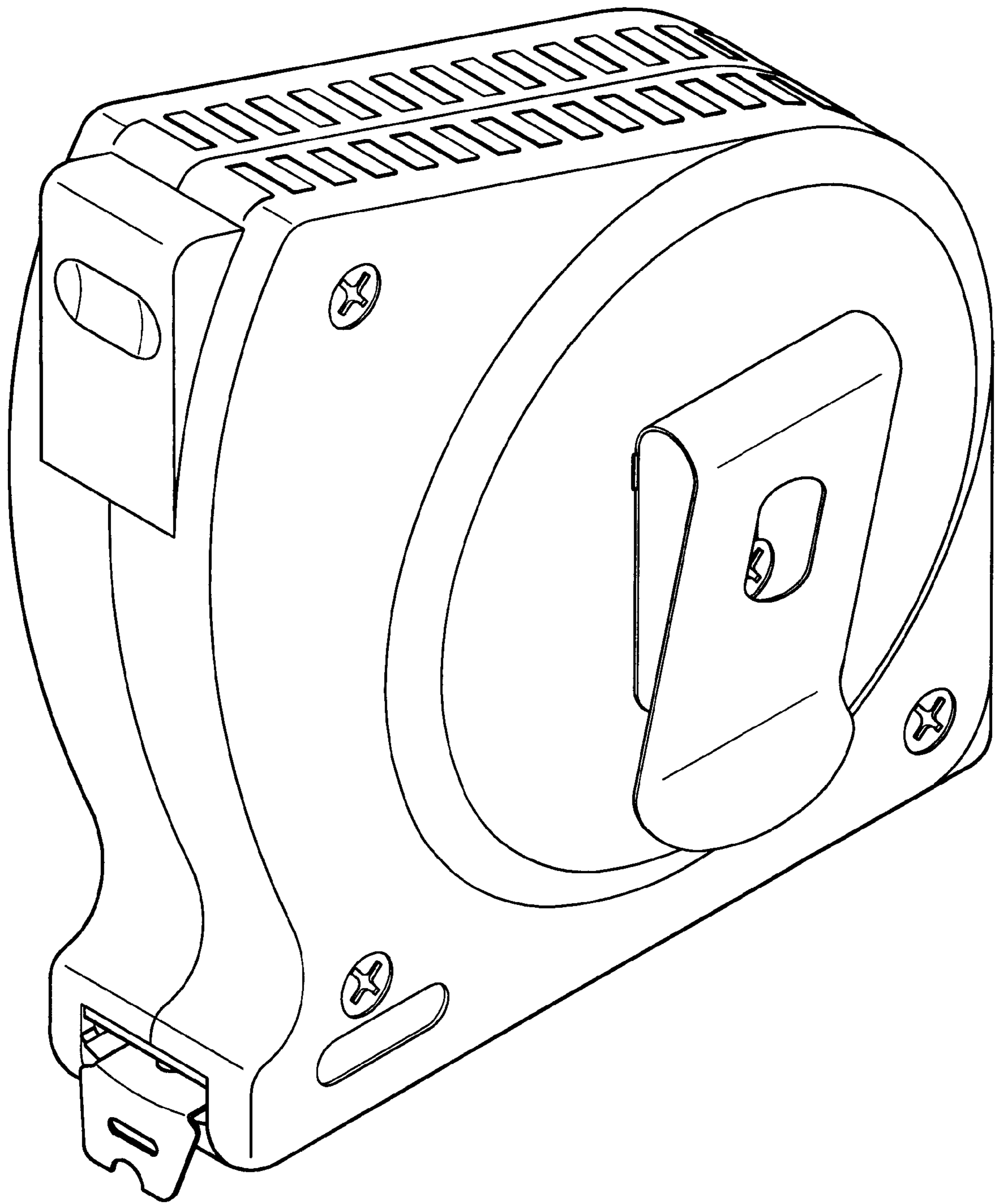


FIG. 1

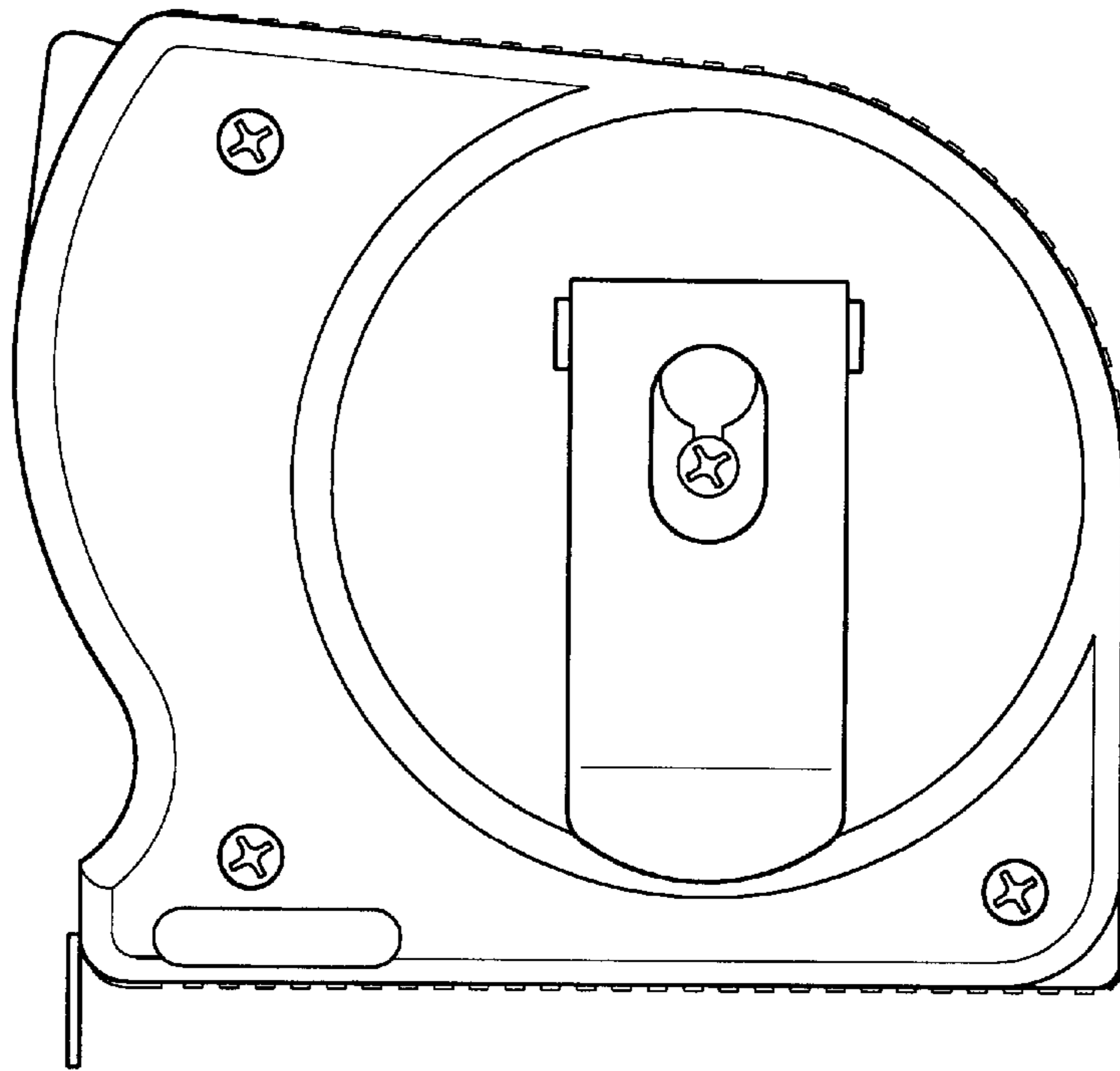


FIG. 2

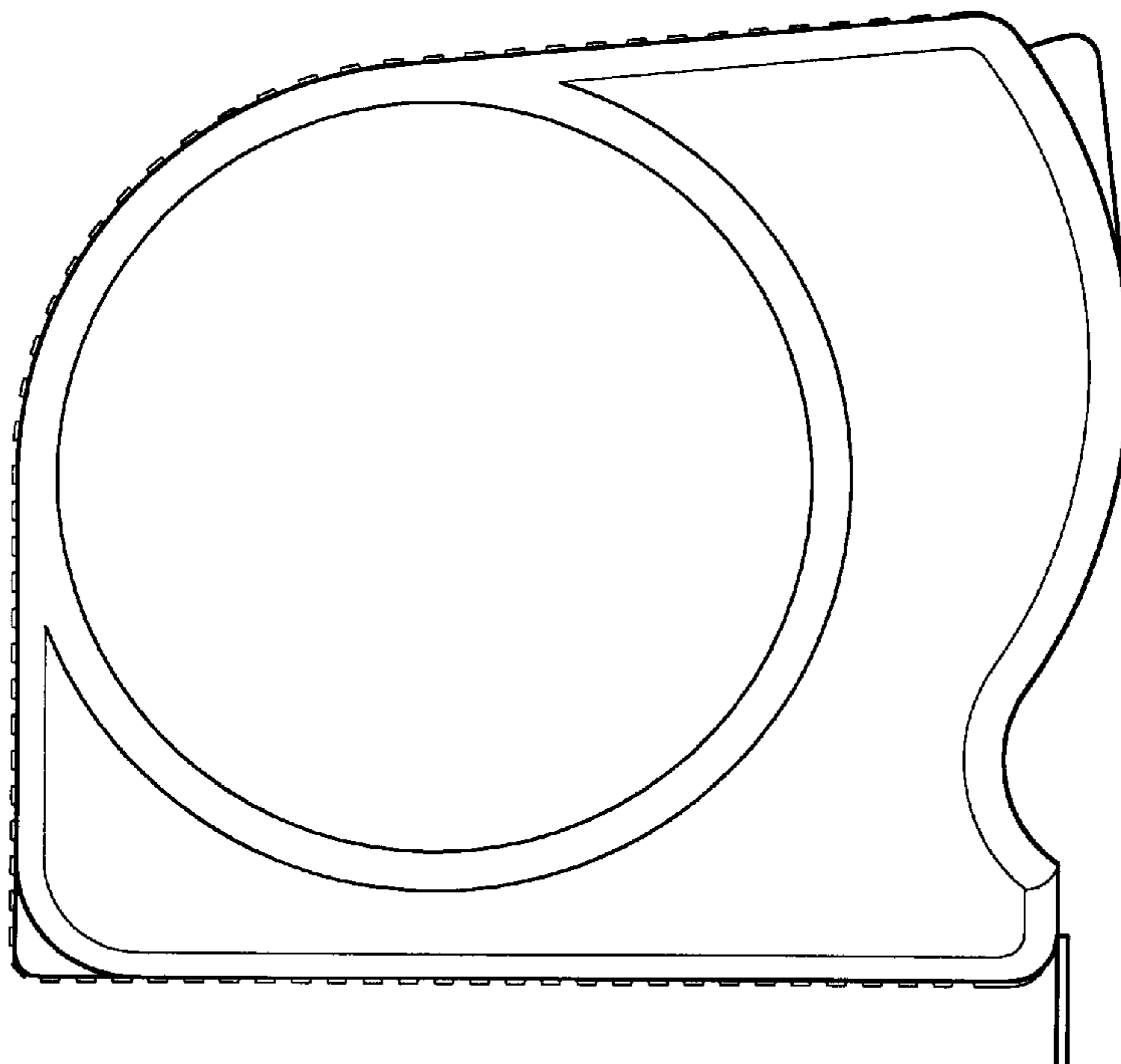


FIG. 3

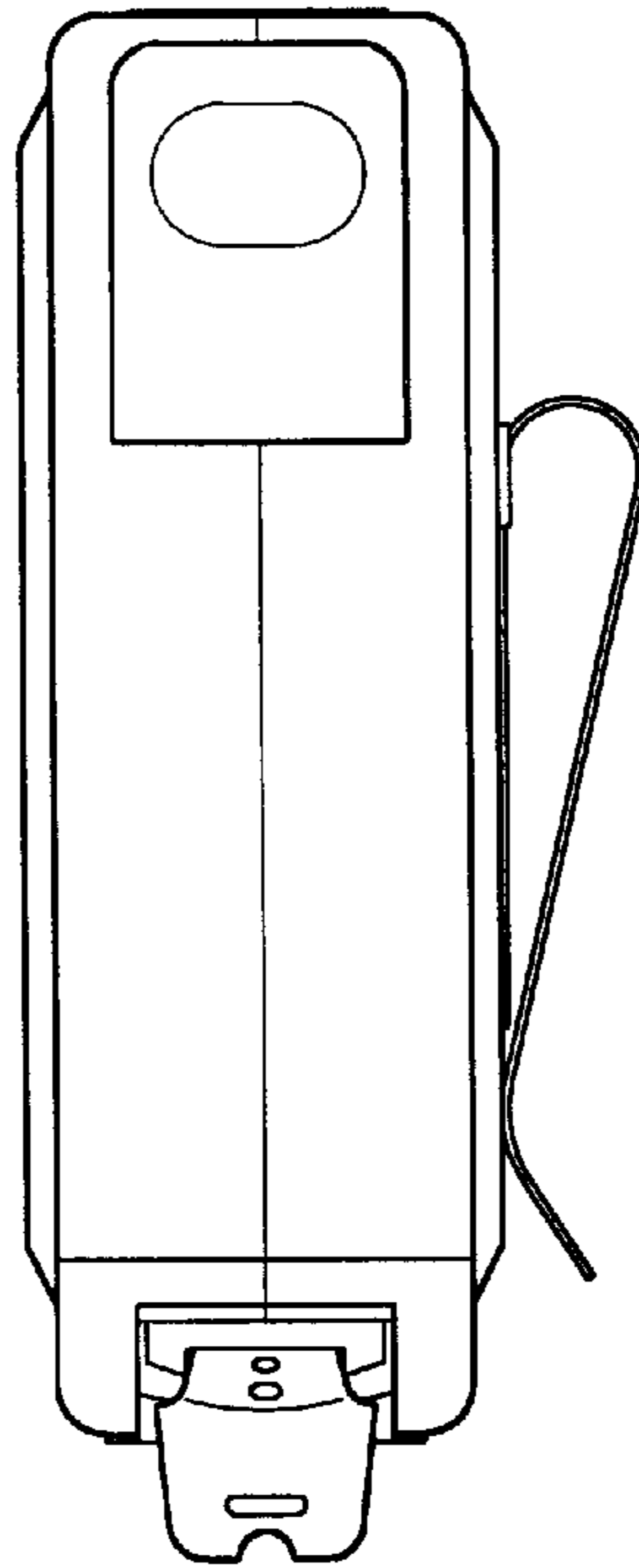


FIG. 4

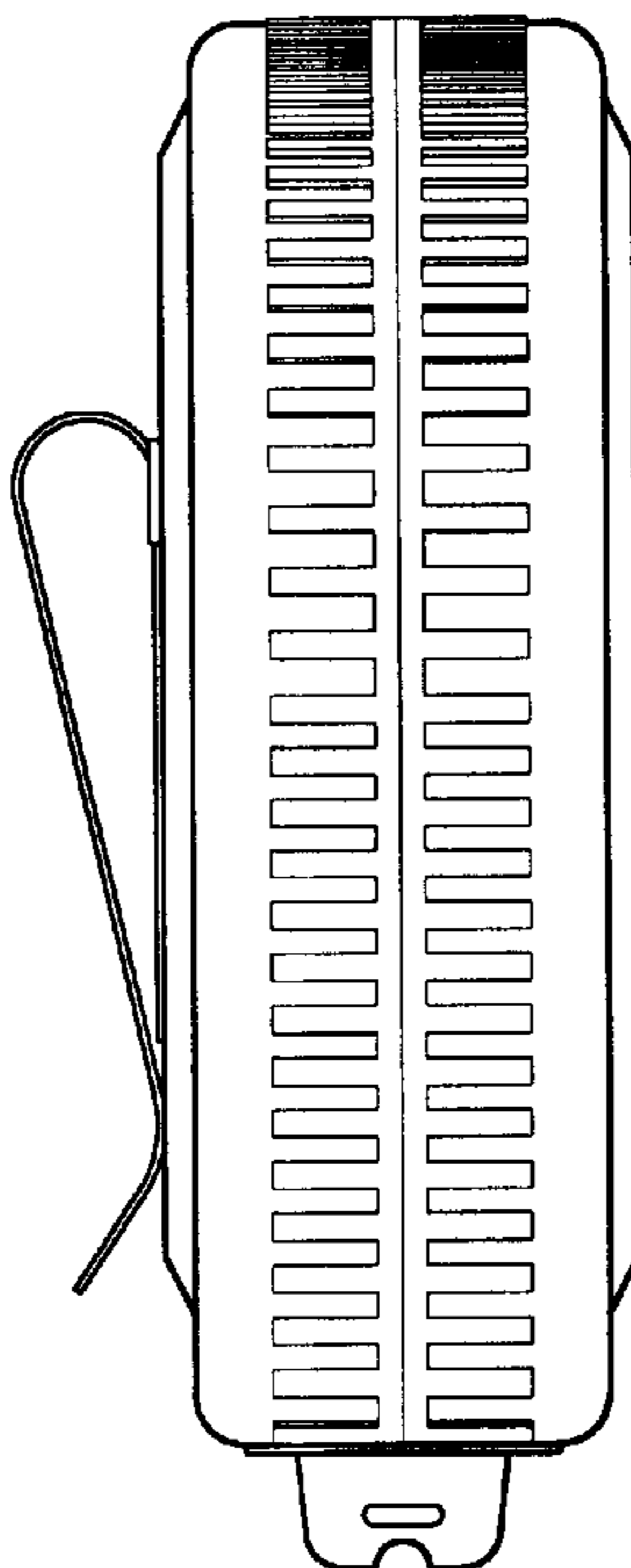


FIG. 5

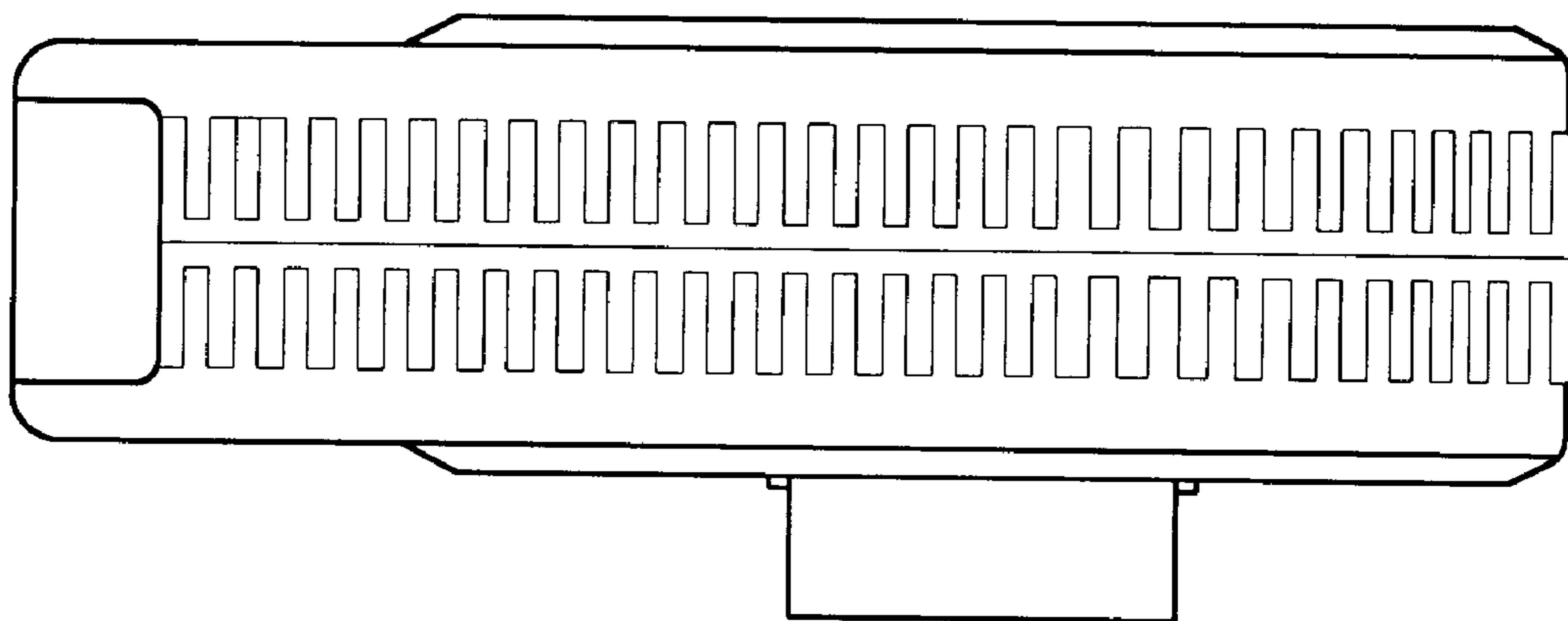


FIG. 6

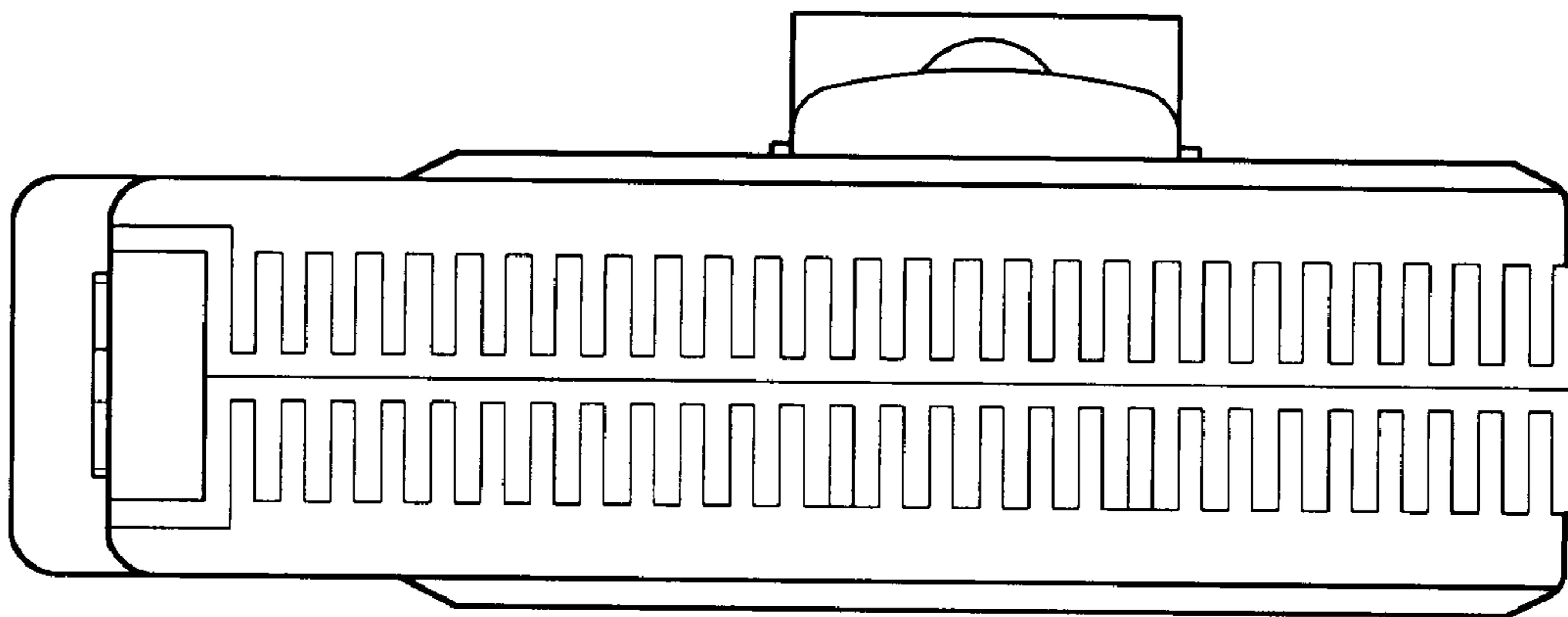


FIG. 7