



US00D410393S

United States Patent [19] Hanig

[11] **Patent Number: Des. 410,393**
[45] **Date of Patent: ** Jun. 1, 1999**

[54] **COMPACT FOLDING ALARM CLOCK**

[75] Inventor: **James L. Hanig**, Mount Prospect, Ill.

[73] Assignee: **Aspen Marketing, Inc.**, Evergreen, Colo.

[**] Term: **14 Years**

[21] Appl. No.: **29/076,417**

[22] Filed: **Sep. 11, 1997**

[51] **LOC (6) Cl. 10-01**

[52] **U.S. Cl. D10/18; D10/23; D10/1**

[58] **Field of Search D10/1-40, 122-132;
368/276-277, 285, 316-317**

[56] **References Cited**

U.S. PATENT DOCUMENTS

D. 309,572	7/1990	Suzuki	D10/18
D. 320,163	9/1991	Dingelstap	D10/18
D. 354,003	1/1995	Takashima	D10/18
D. 359,241	6/1995	Ling	D10/18

Primary Examiner—Nelson C. Holtje

Attorney, Agent, or Firm—Dorn, McEachran, Jambor & Keating

[57] **CLAIM**

The ornamental design for a compact folding alarm clock, as shown and described.

DESCRIPTION

FIG. 1 is a front elevational view of my design of an alarm clock in its closed position;

FIG. 2 is a left hand side elevational view of my design;

FIG. 3 is a top plan view of my design;

FIG. 4 is a bottom plan view of my design;

FIG. 5 is a rear elevational view of my design;

FIG. 6 is a front elevational view of my design in its cover open position and with the hands and numerals of the clock shown in dashed lines;

FIG. 7 is a left hand side elevational view of my design in its open position;

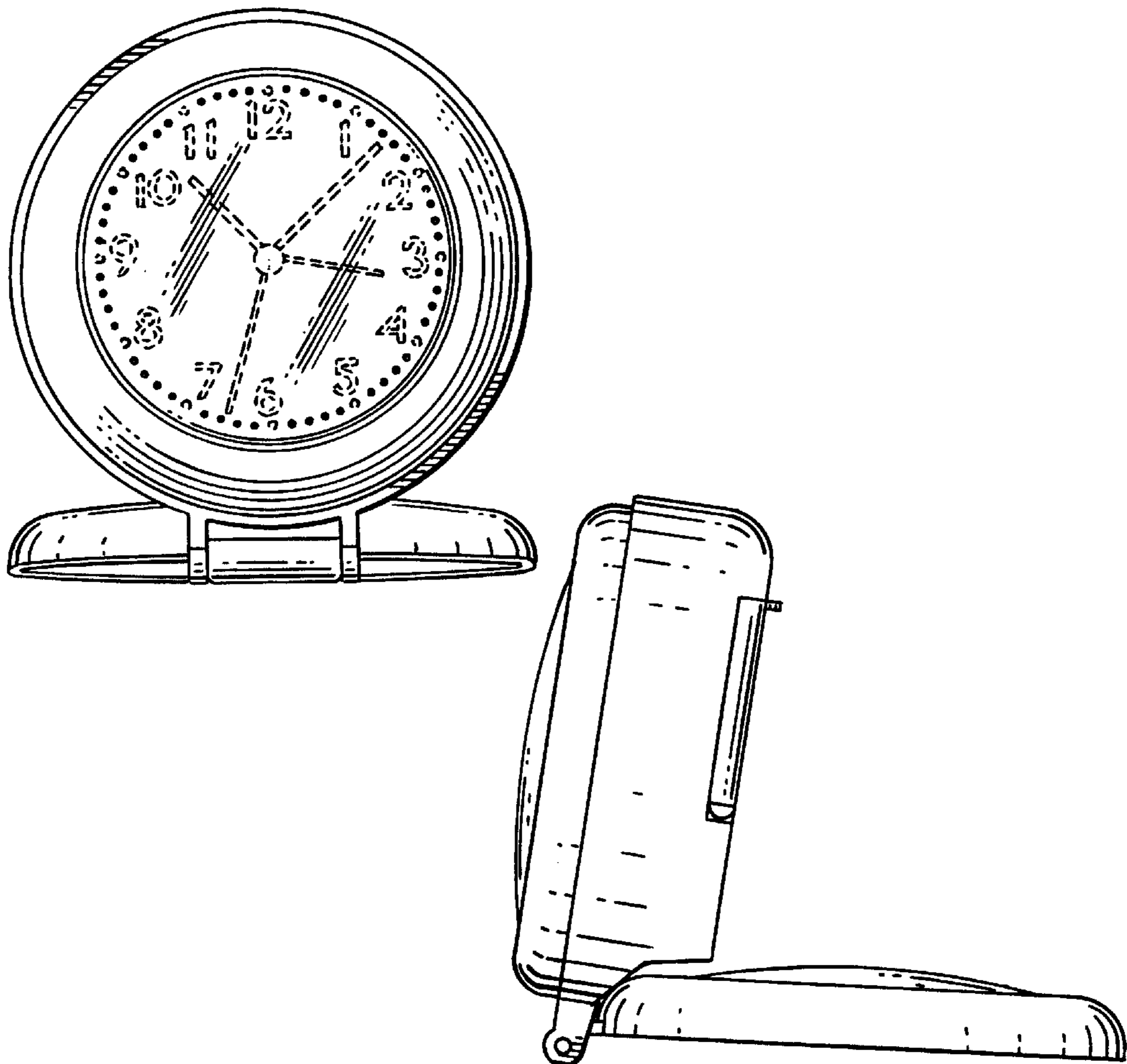
FIG. 8 is a rear elevational view of my design in its open position;

FIG. 9 is a top plan view of my design in its open position; and,

FIG. 10 is a bottom plan view of my design in its open position.

The broken line showing of numerals and hands is for illustrative purposes only and forms no part of the claimed design.

1 Claim, 3 Drawing Sheets



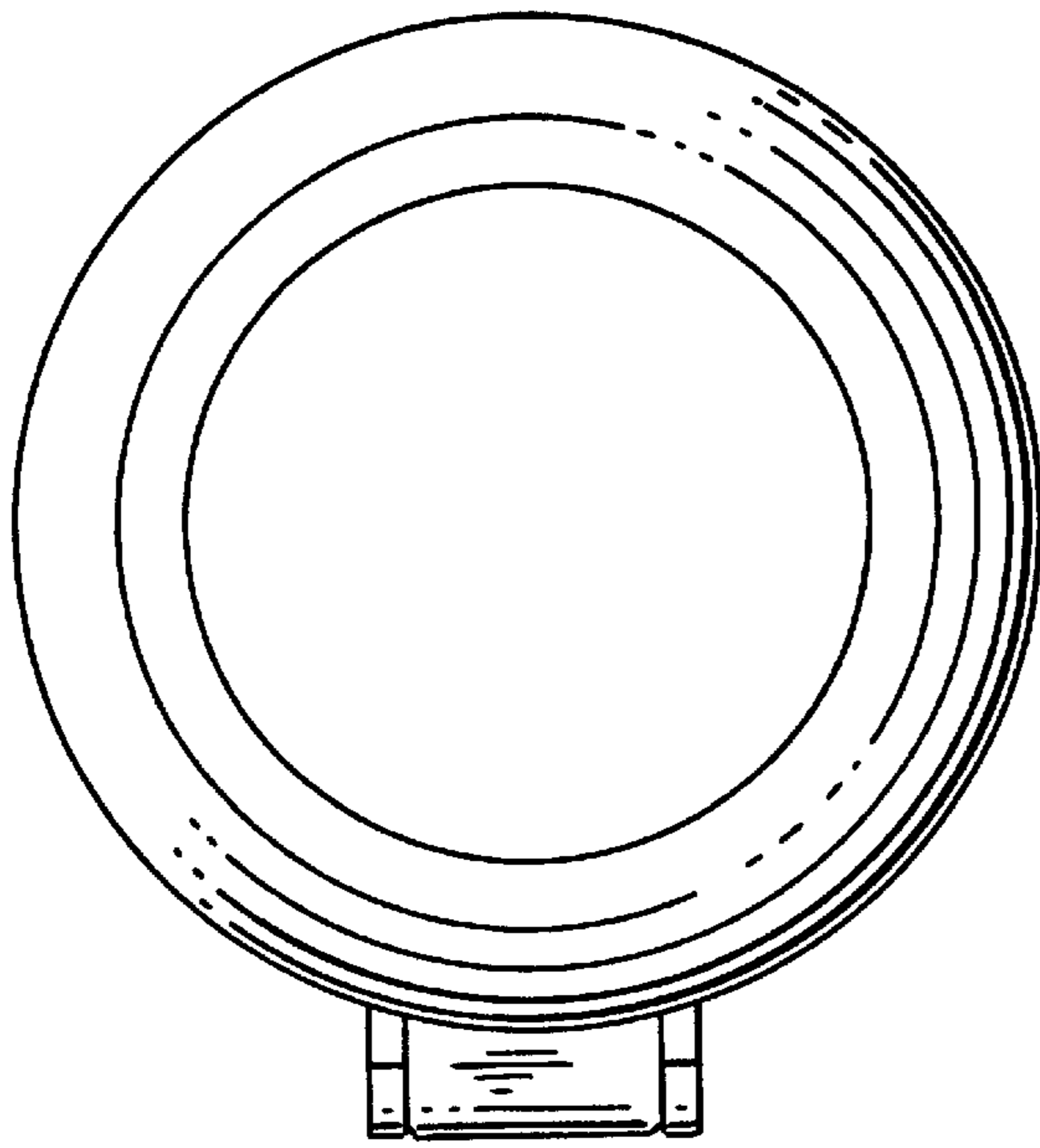


Fig. 1.

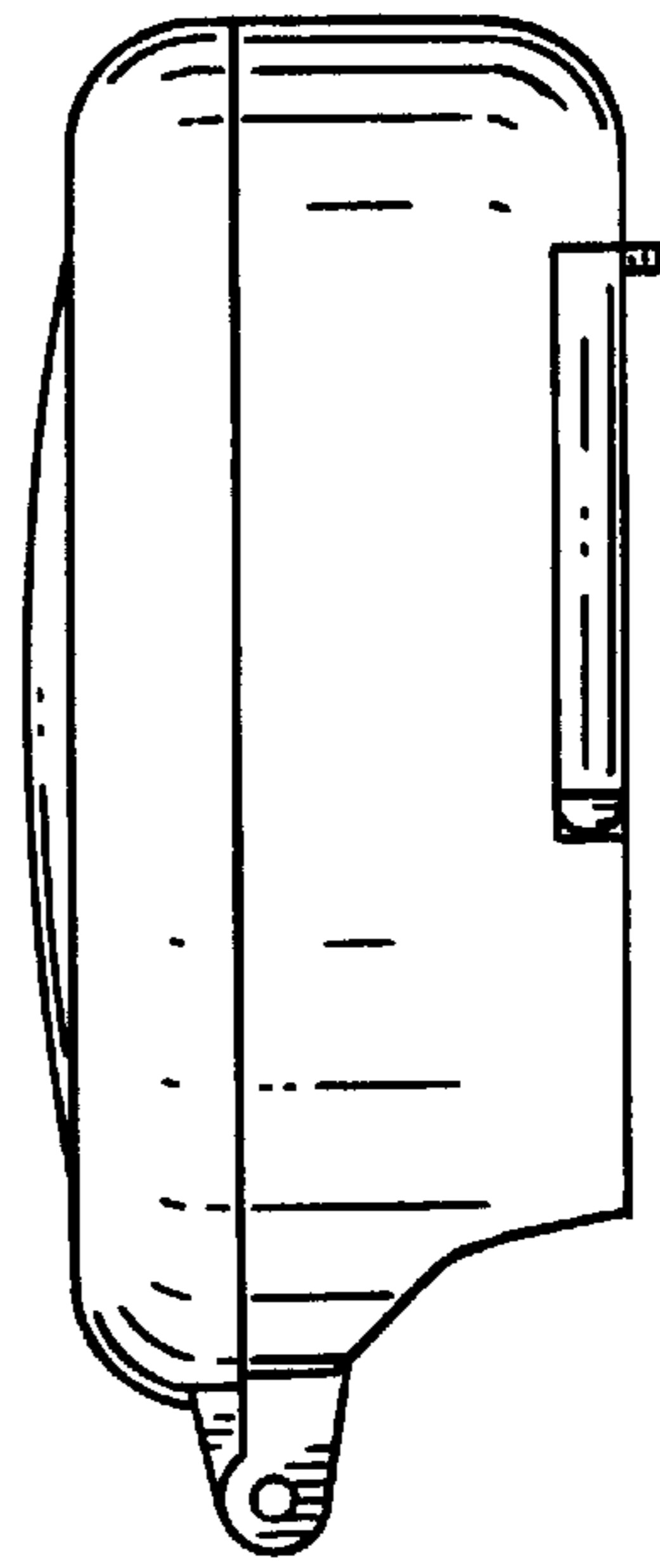


Fig. 2.

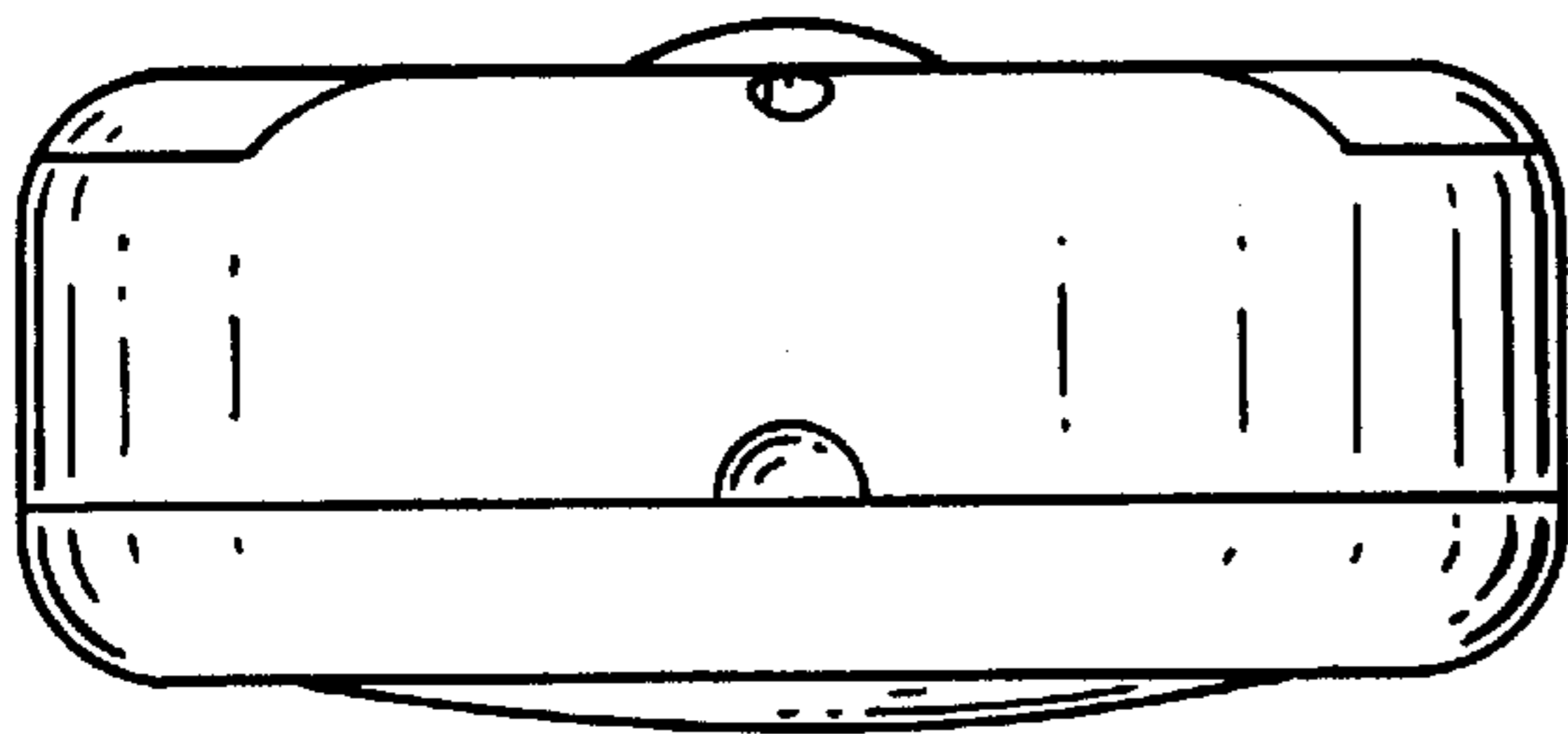


Fig. 3.

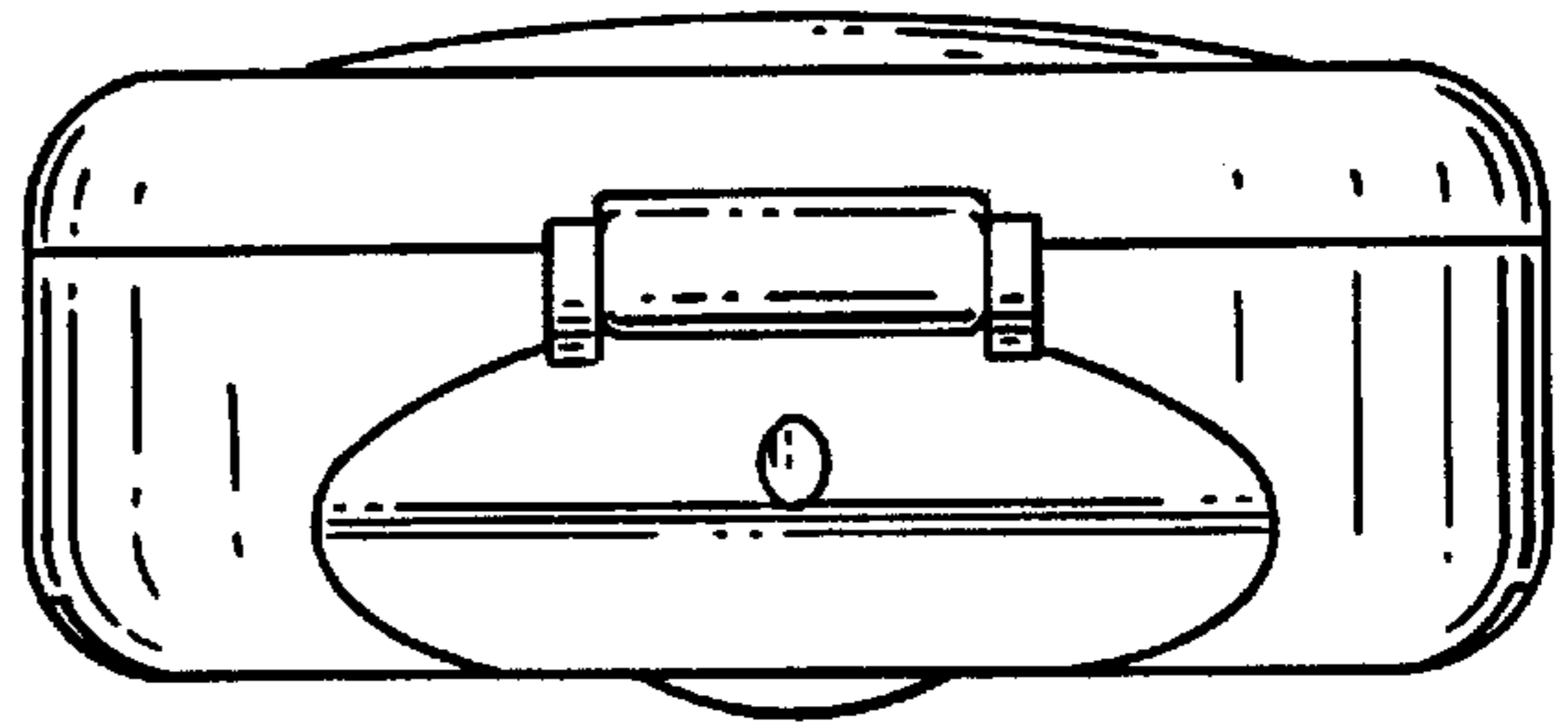


Fig. 4.

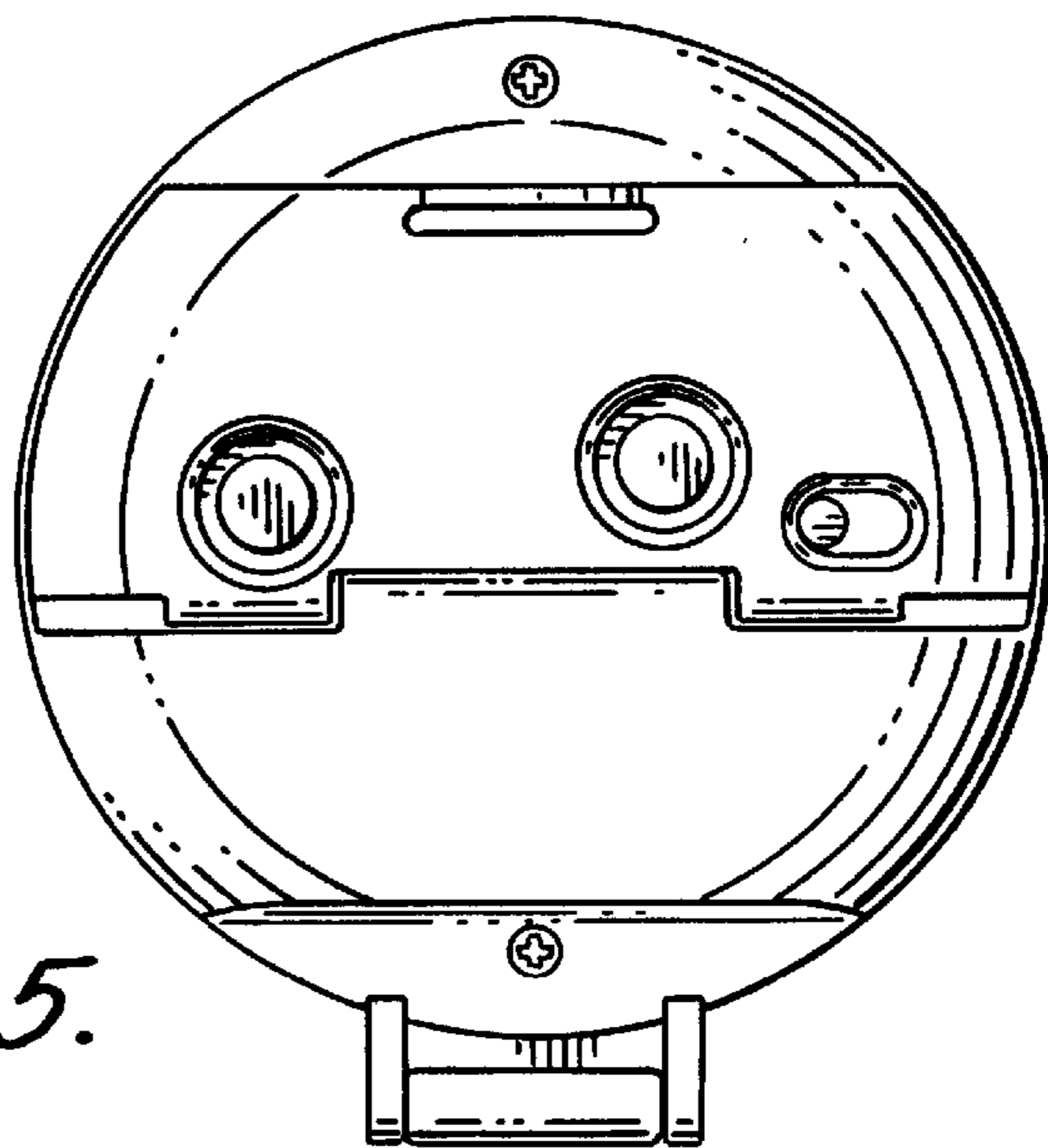


Fig. 5.

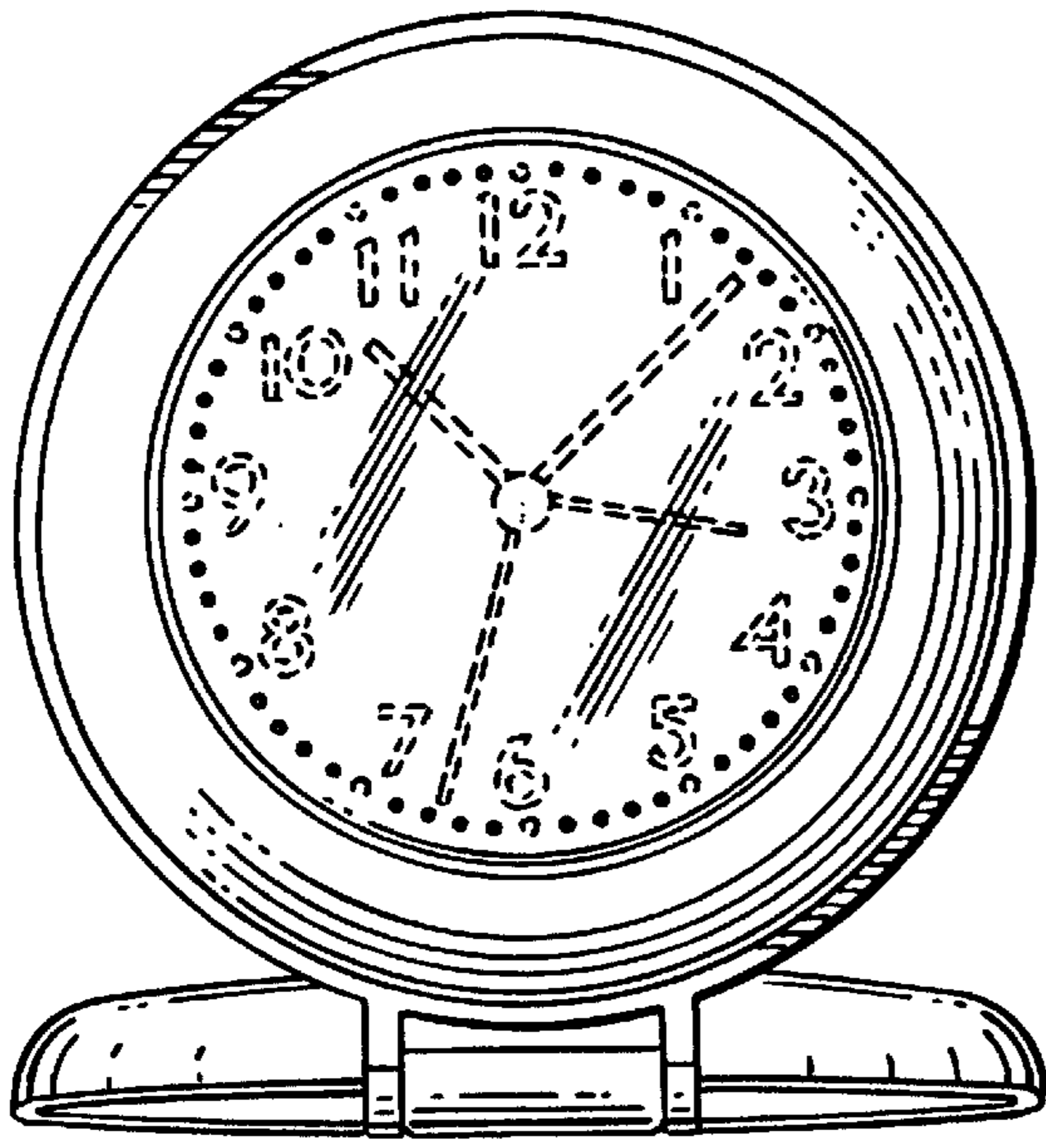


FIG. 6.

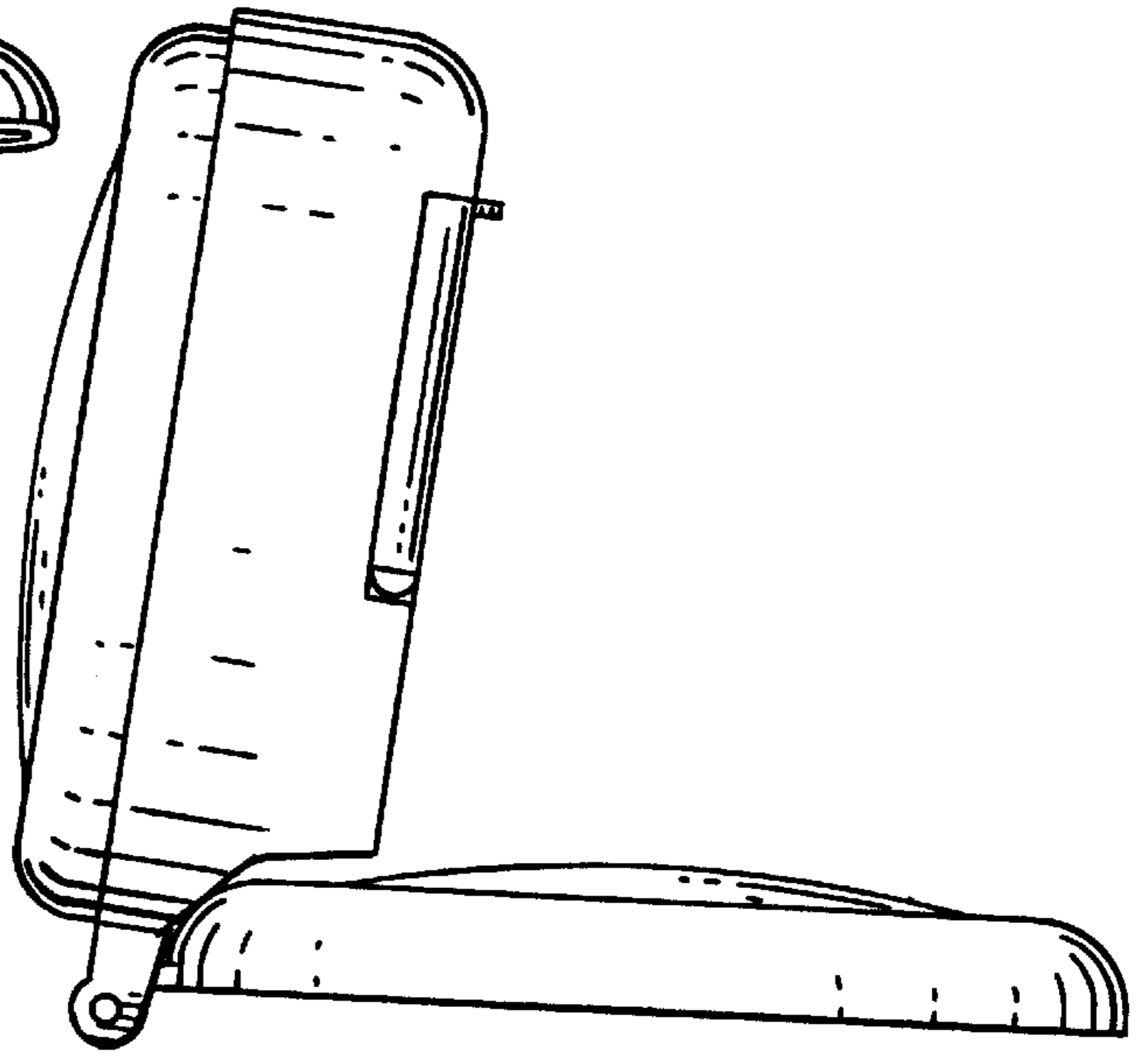
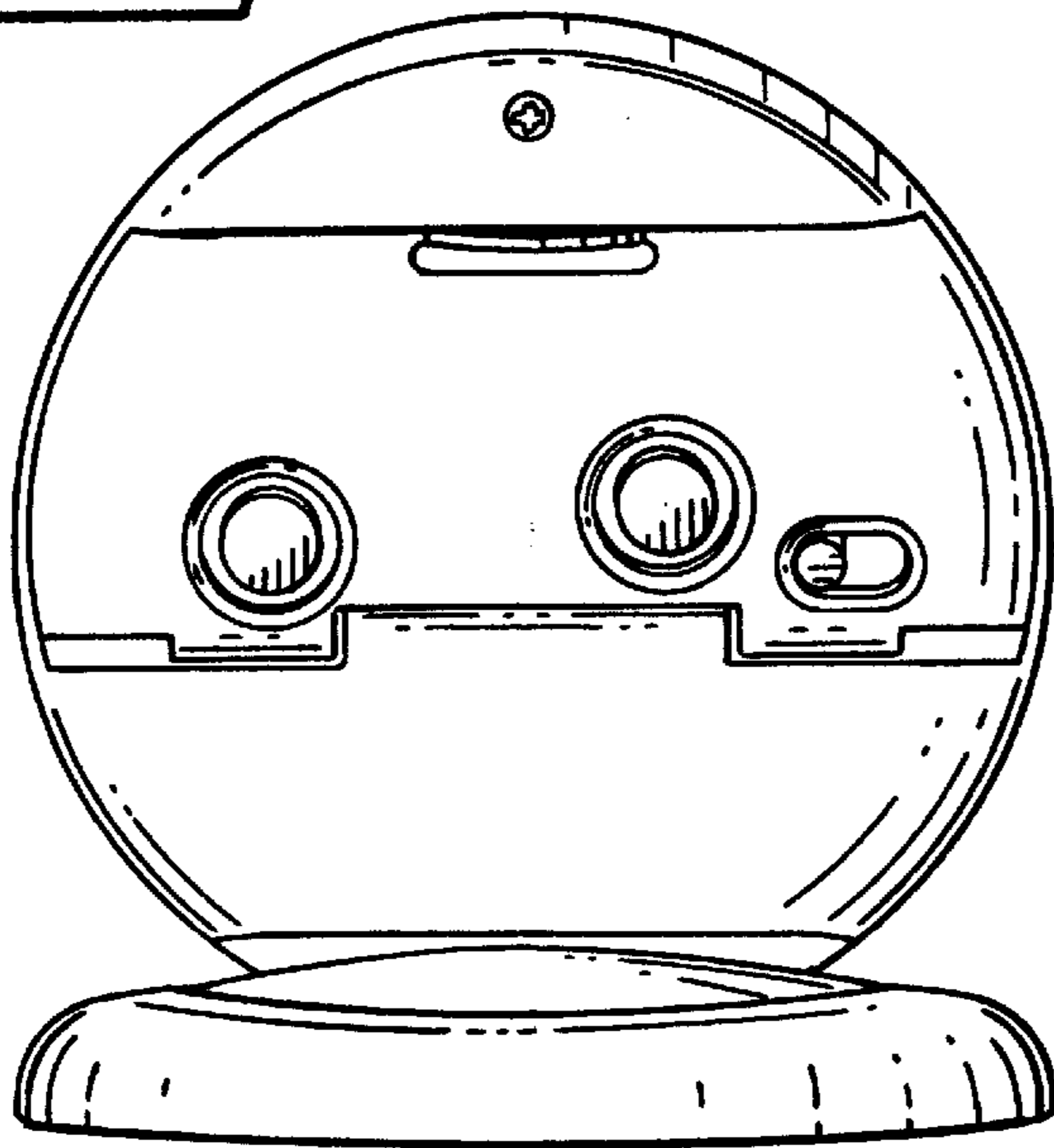


FIG. 7.

FIG. 8.



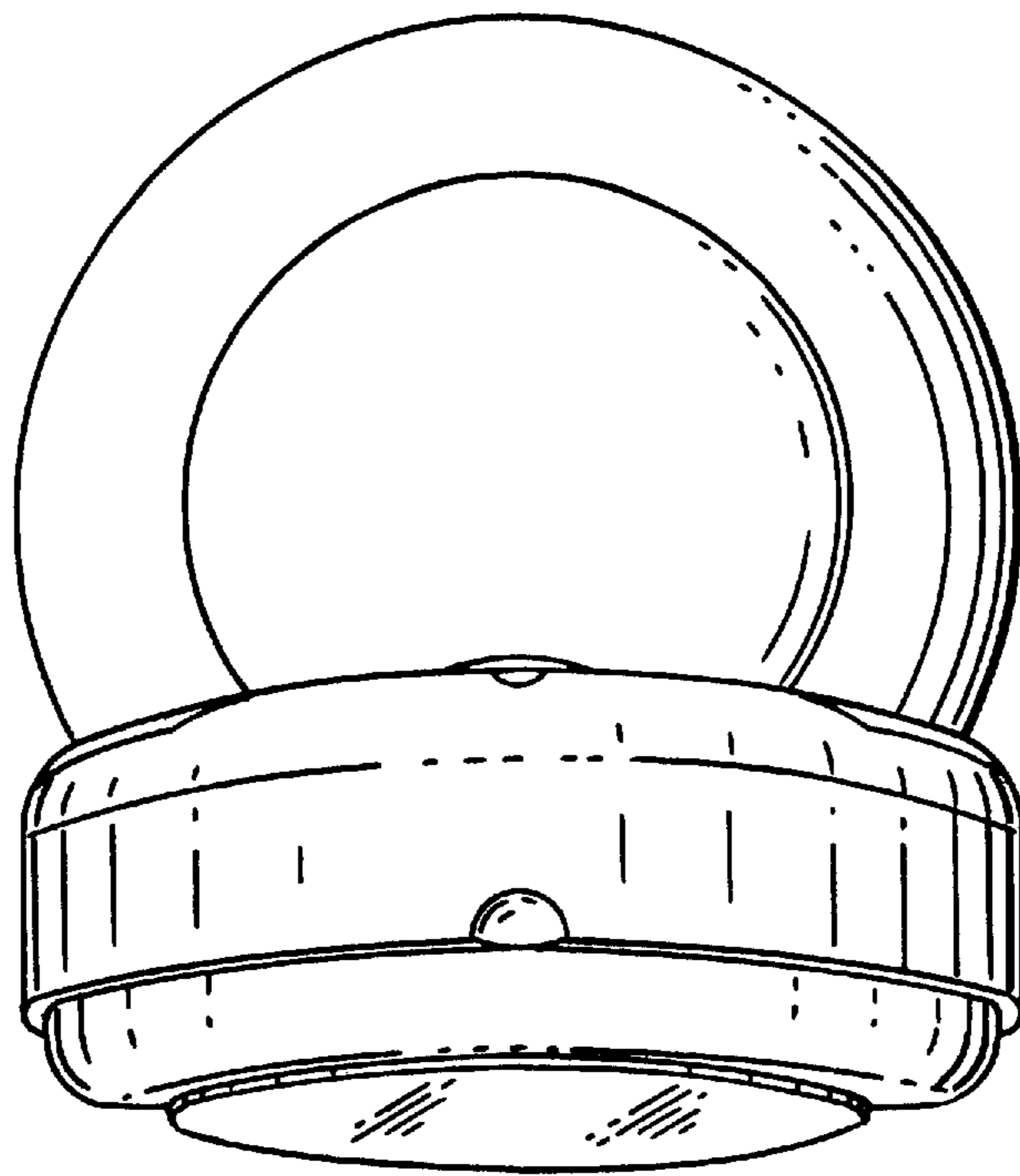


Fig. 9.

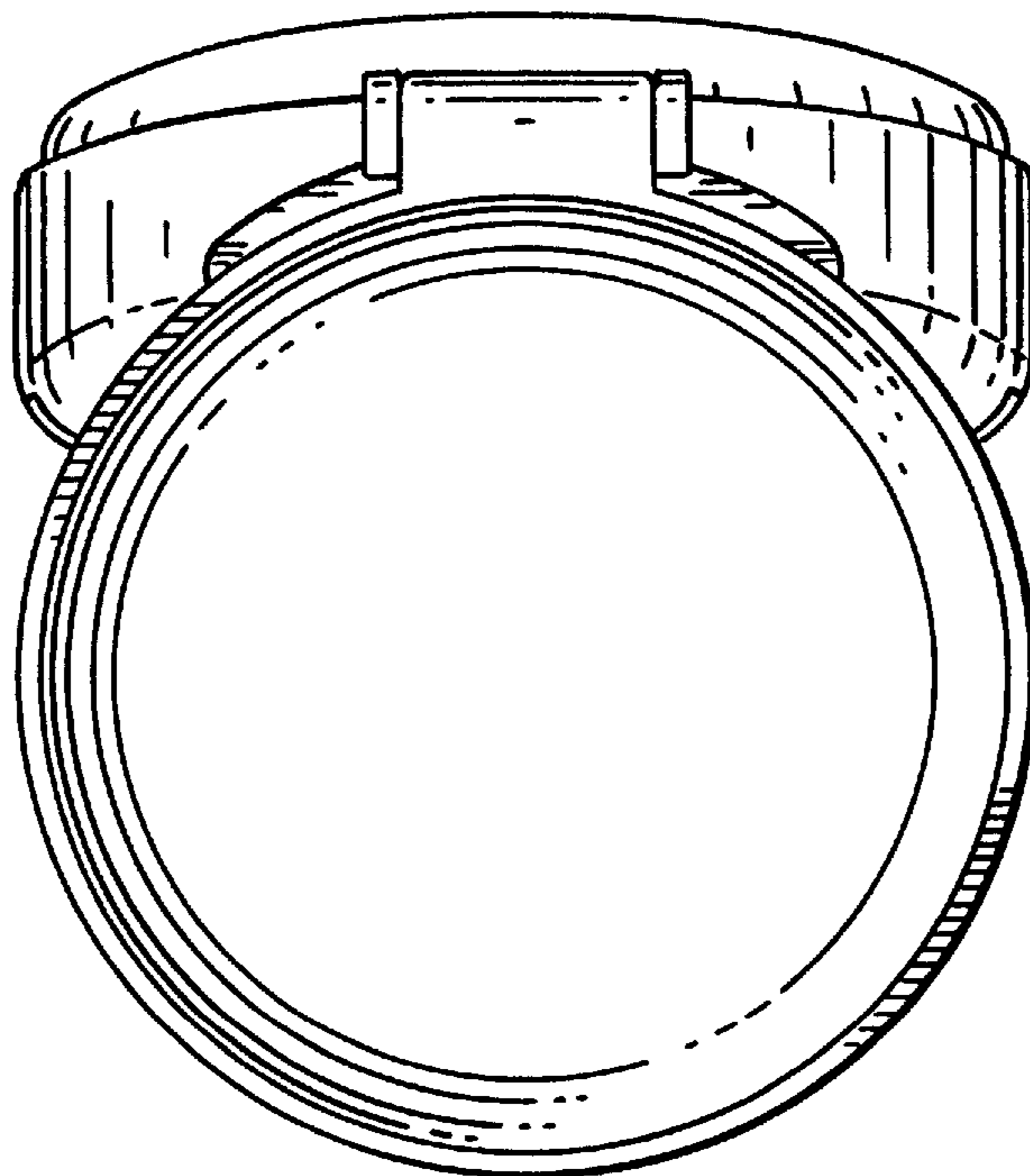


Fig. 10.