



US00D410388S

# United States Patent [19]

[11] Patent Number: Des. 410,388

Fisher et al.

[45] Date of Patent: \*\* Jun. 1, 1999

[54] CAP

[57] CLAIM

[75] Inventors: **Geoffrey Malcolm Fisher; Jonathan David Eaves; Gail Wendy Dawson**, all of Nottingham; **Steven Frederick Kelsey**, London, all of United Kingdom

The ornamental design for a cap, as shown and described.

[73] Assignee: **The Boots Company PLC**, Nottingham, United Kingdom

### DESCRIPTION

[\*\*] Term: **14 Years**

FIG. 1 is a front view of a first embodiment of a cap of the present invention with closure flaps in the closed position; FIG. 2 is a front view of the cap of FIG. 1 with closure flaps in the open position; FIG. 3 is a rear view of the cap of FIG. 1 with closure flaps in the open position; FIG. 4 is a first side view of the cap of FIG. 1 with closure flaps in the open position; FIG. 5 is a reverse side view of the cap of FIG. 1 with closure flaps in the open position; FIG. 6 is a top view of the cap of FIG. 1 with closure flaps in the closed position; FIG. 7 is a top view of the cap of FIG. 1 with closure flaps in the open position; FIG. 8 is an underneath view of the cap of FIG. 1 with closure flaps in the closed position; FIG. 9 is a perspective view of the cap of FIG. 1 with closure flaps in the closed position; FIG. 10 is an enlarged perspective view of the cap of FIG. 1 with closure flaps in the open position; FIG. 11 is a front view of a second embodiment of the cap of the present invention with closure flaps in the closed position; FIG. 12 is a rear view of the cap of FIG. 11 with closure flaps in the open position; FIG. 13 is a first side view of the cap of FIG. 11 with closure flaps in the open position; FIG. 14 is a reverse side view of the cap of FIG. 11 with closure flaps in the open position; FIG. 15 is a top plan view of the cap of FIG. 11 shown with the closure flaps in the open position, the bottom plan view is the same as FIG. 8 except that the rim around the lower edge of the cap of the second embodiment obscures the raised vertical ribs around the sides of the cap; FIG. 16 is an enlarged perspective view of the cap of FIG. 11 with closure flaps in the open position; and, FIG. 17 is a perspective view of the cap of FIG. 1 with the closure flaps in the open position.

[21] Appl. No.: **29/051,597**

[22] Filed: **Mar. 14, 1996**

### [30] Foreign Application Priority Data

Sep. 14, 1995 [GB] United Kingdom ..... 2050349

[51] LOC (6) Cl. .... **09-07**

[52] U.S. Cl. .... **D9/449; D9/453**

[58] Field of Search ..... D9/447, 449, 450, D9/453, 515, 454, 435; 222/480; 220/254, 256

### [56] References Cited

#### U.S. PATENT DOCUMENTS

- D. 278,602 4/1985 Rosenstein ..... D9/449
- D. 291,411 8/1987 Crawford ..... D9/449 X
- D. 305,206 12/1989 Hickman et al. .... D9/449

(List continued on next page.)

#### FOREIGN PATENT DOCUMENTS

- 2095381 11/1993 Canada .
- 2098237 12/1993 Canada .
- 0485666 5/1992 European Pat. Off. .

(List continued on next page.)

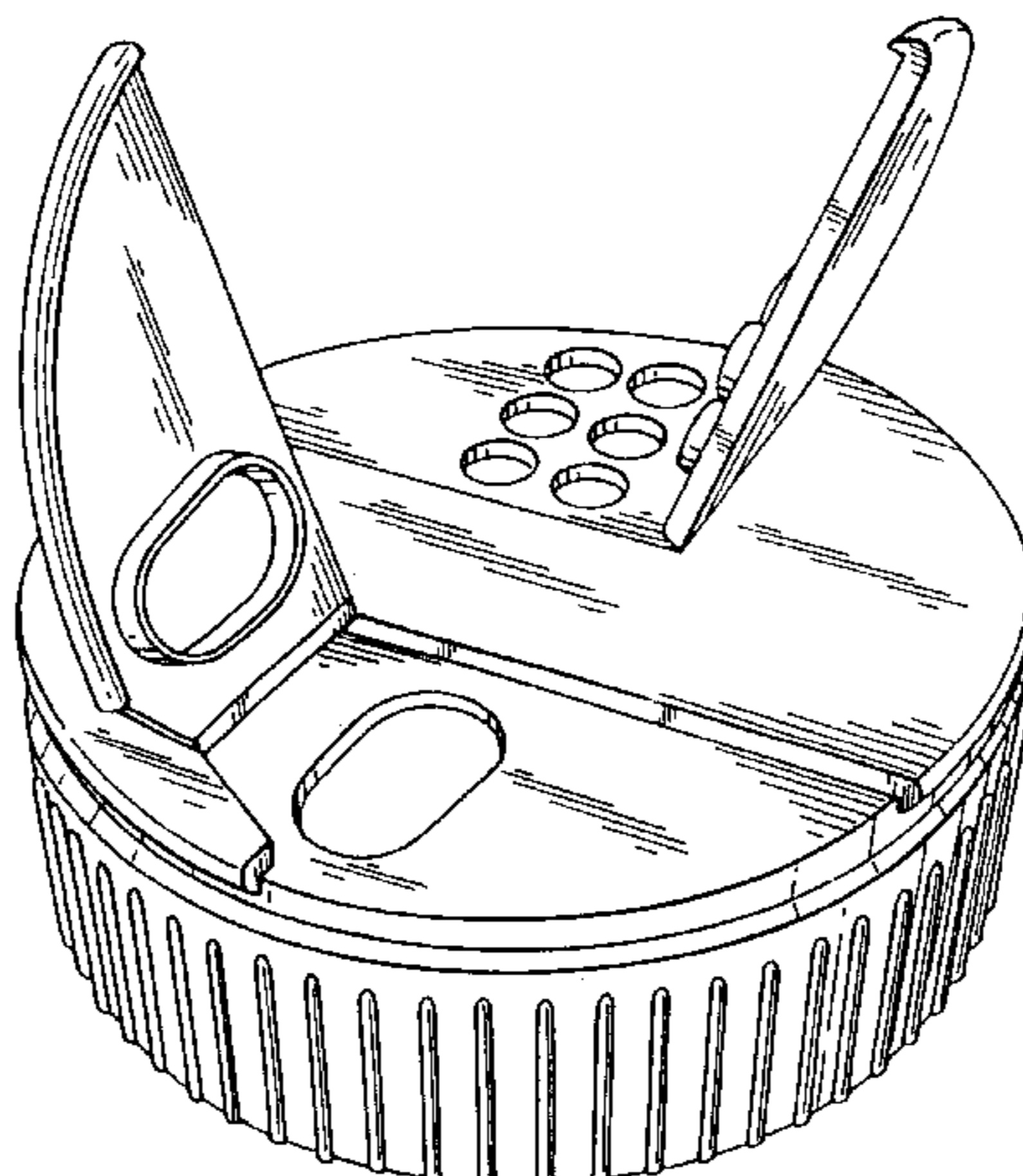
#### OTHER PUBLICATIONS

Leaflet on "Canderel®" Jar (date not provided).

Primary Examiner—Lucy Lieberman  
Attorney, Agent, or Firm—Nikaido, Marmelstein, Murray & Oram LLP

The portions of the second embodiment of the cap that are not shown in the drawings do not form a part of the claimed design.

1 Claim, 9 Drawing Sheets



# Des. 410,388

Page 2

---

## U.S. PATENT DOCUMENTS

D. 318,804	8/1991	Ochs .....	D9/453	4,723,693	2/1988	De Coster .	
D. 340,187	10/1993	Forsyth .....	D9/449	4,802,608	2/1989	Hofman .	
3,140,019	7/1964	Barr .		4,898,292	2/1990	Verweyst et al. ....	220/254 X
3,217,949	11/1965	Davis .		4,925,067	5/1990	Zemlo .	
3,262,606	7/1966	Waterman .		4,936,494	6/1990	Weidman .	
3,499,588	3/1970	Bartilson .		4,955,513	9/1990	Bennett .	
3,850,350	11/1974	Towns .		5,048,730	9/1991	Forsyth .	
4,106,672	8/1978	Tecco .		5,219,100	6/1993	Beck et al. ....	220/480
4,253,587	3/1981	Otterson .		5,330,082	7/1994	Forsyth .	
4,280,636	7/1981	Lewis .					
4,284,200	8/1981	Bush .					
4,369,901	1/1983	Hidding .					
4,488,667	12/1984	Swett .					
4,522,315	6/1985	Rapp .					
4,693,399	9/1987	Hickman .					
4,714,181	12/1987	Kozlowski .					

## FOREIGN PATENT DOCUMENTS

3131277	2/1983	Germany .	
1022475	3/1985	United Kingdom .	
1030944	6/1986	United Kingdom .	
2220132	1/1990	United Kingdom .	
2261593	5/1993	United Kingdom .	
2037721	7/1994	United Kingdom .	

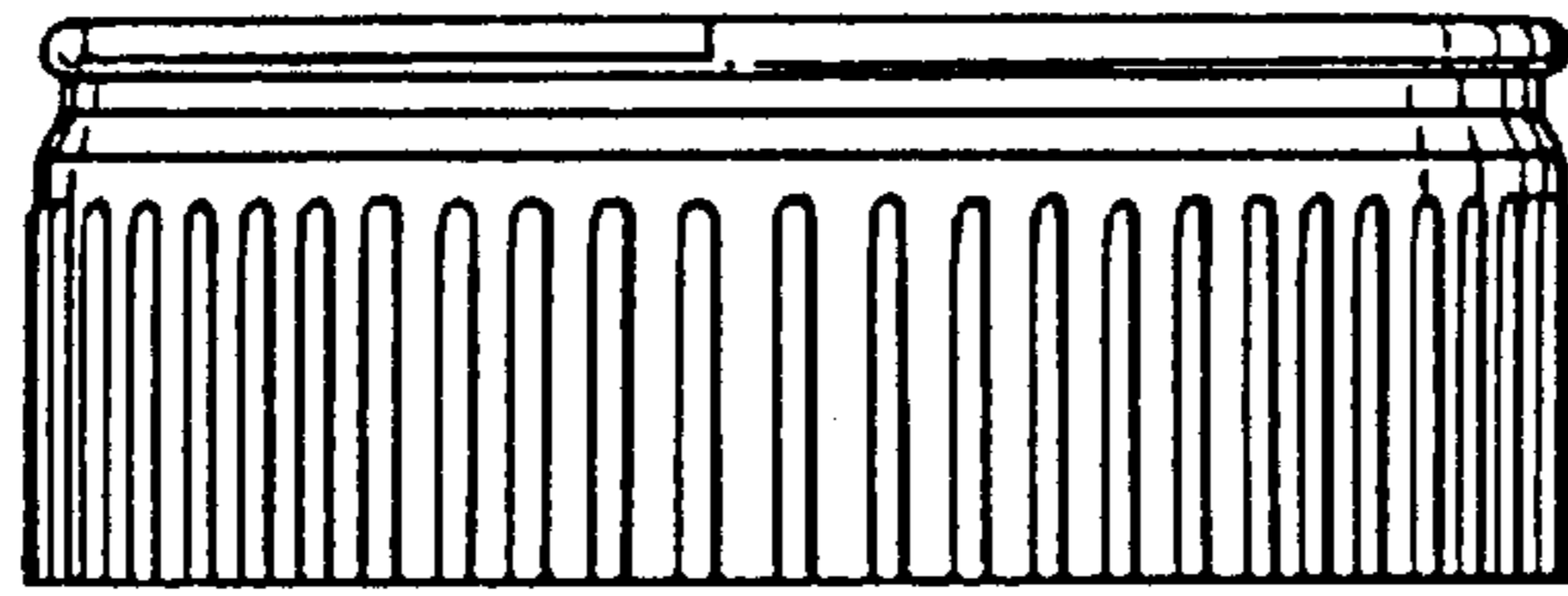


Fig. 1

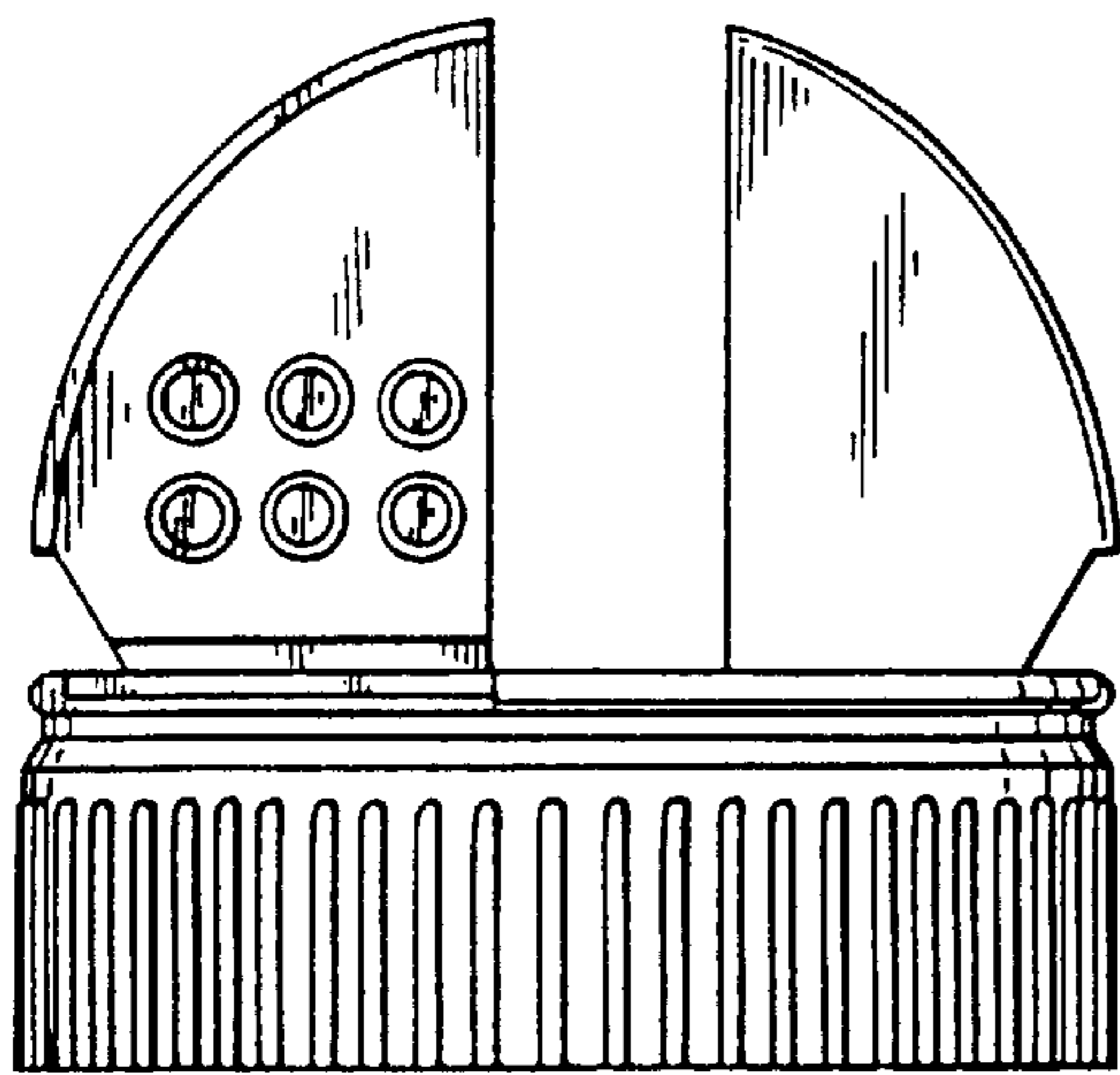


Fig. 2

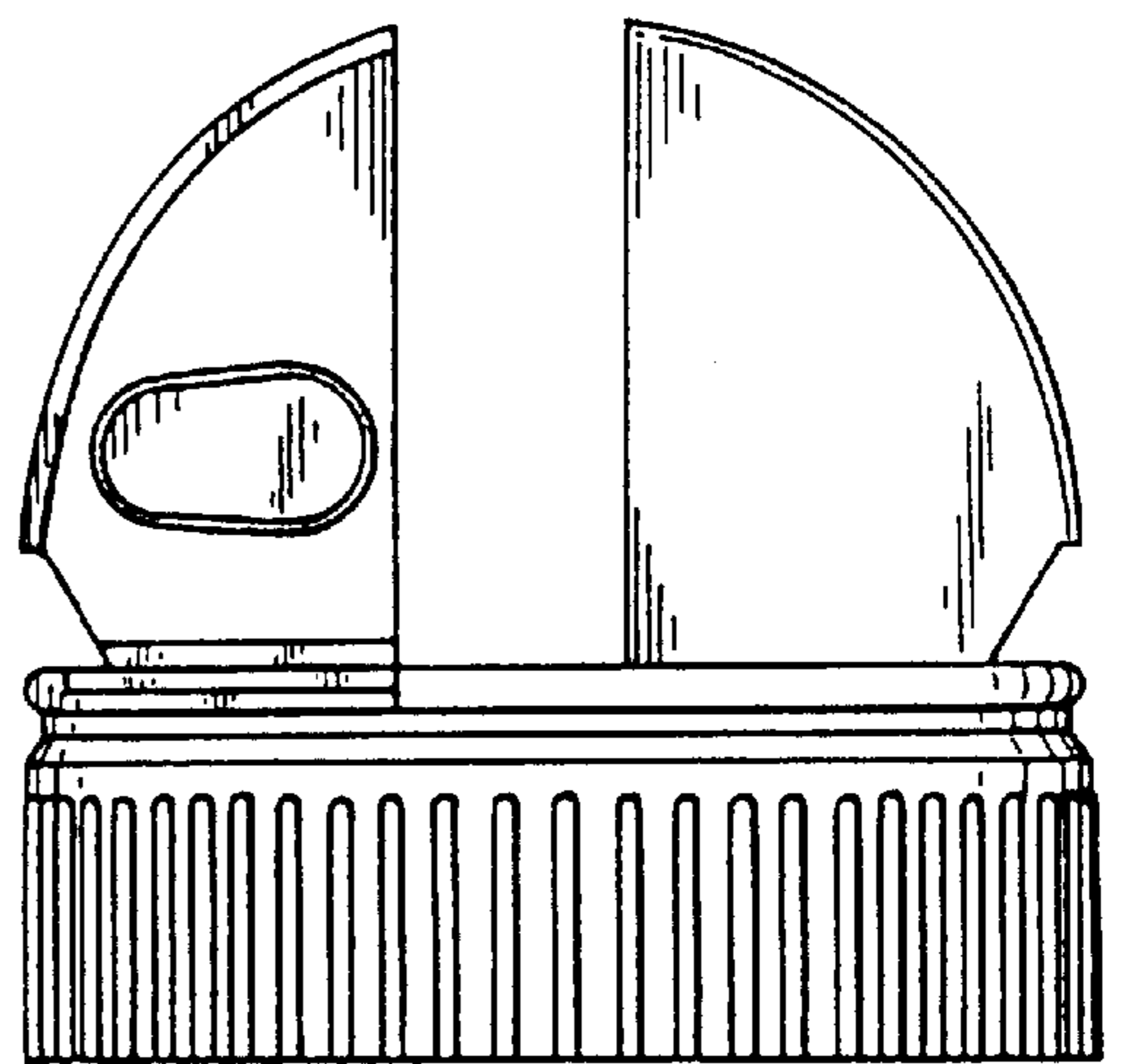


Fig. 3

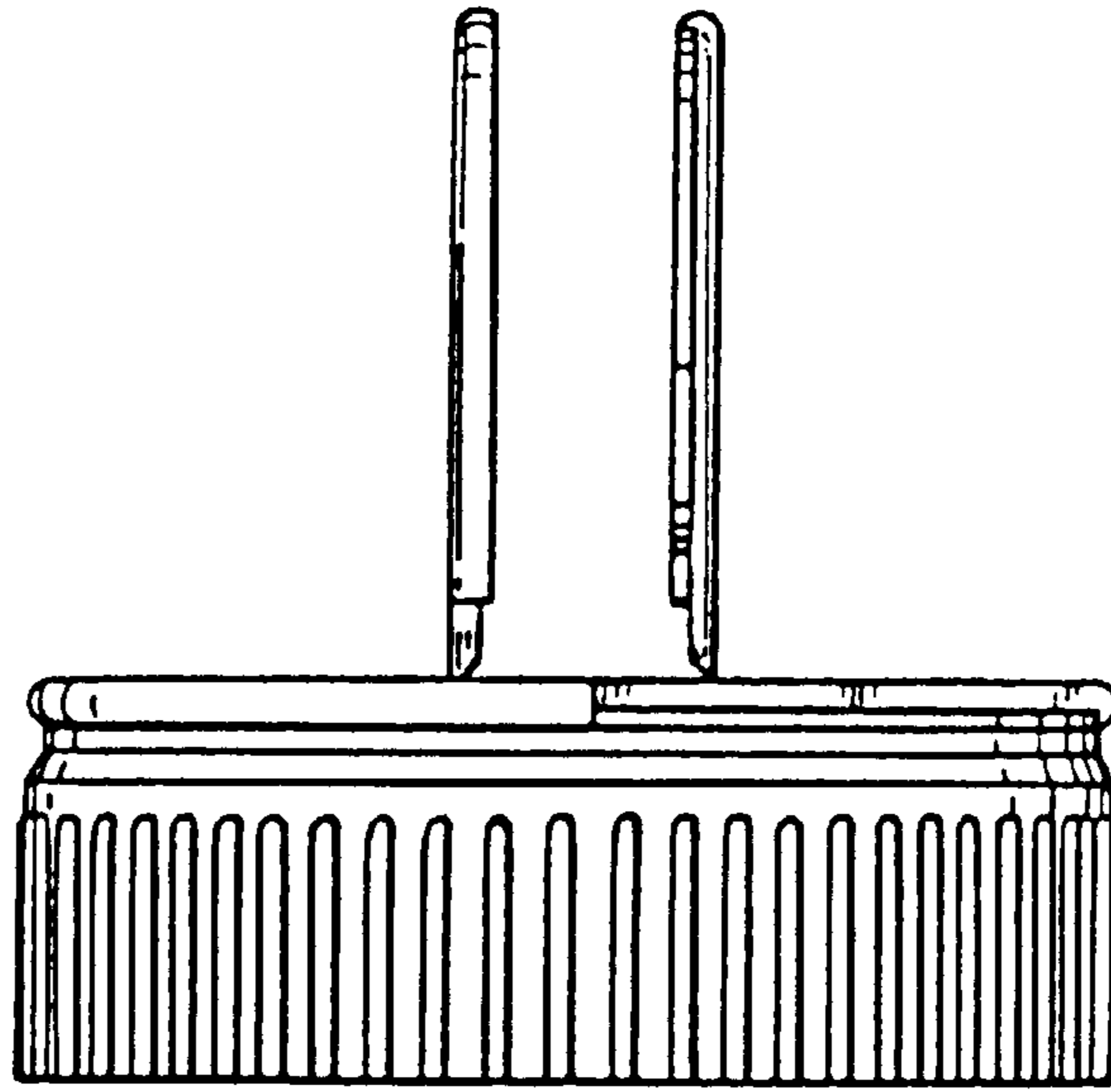


Fig. 4

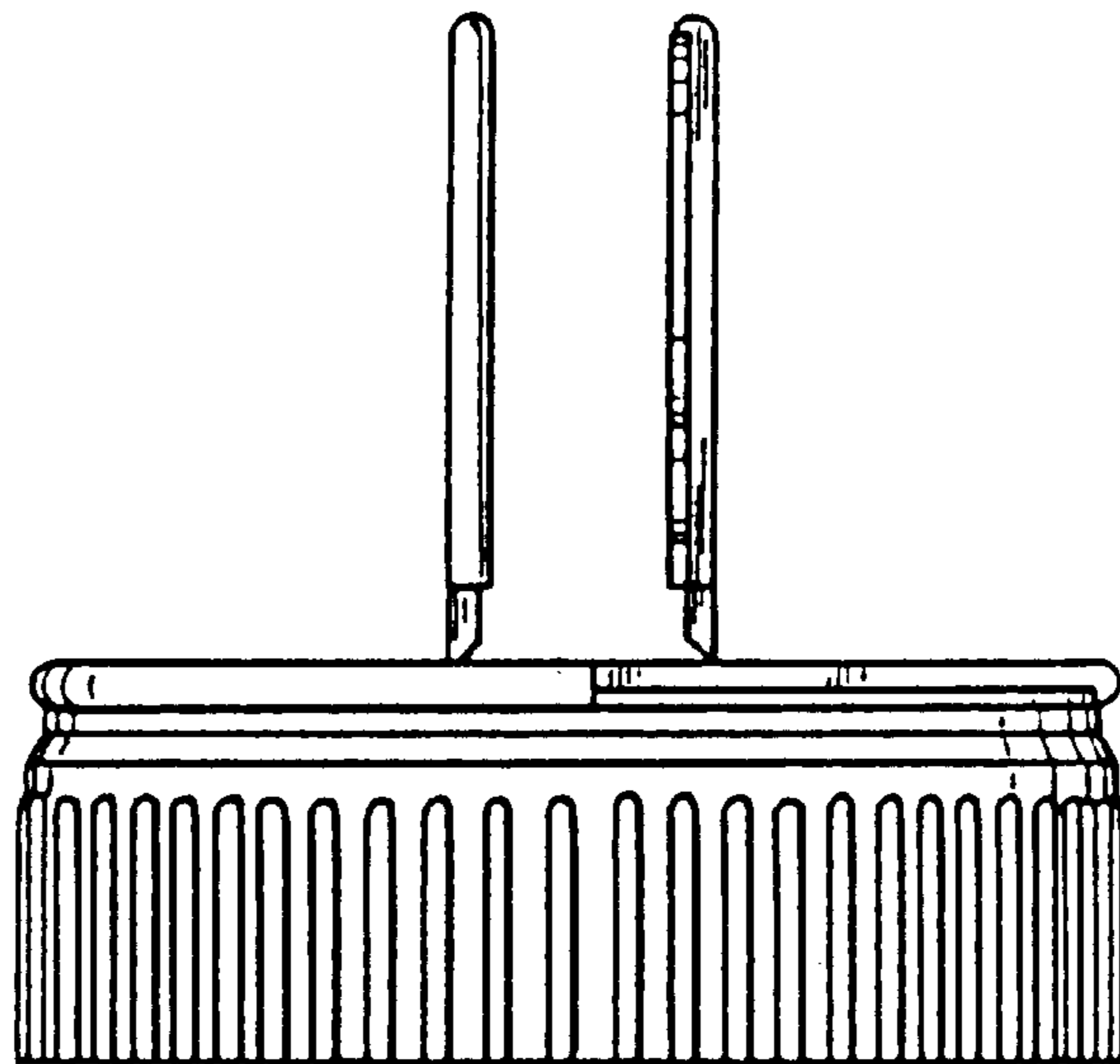


Fig. 5

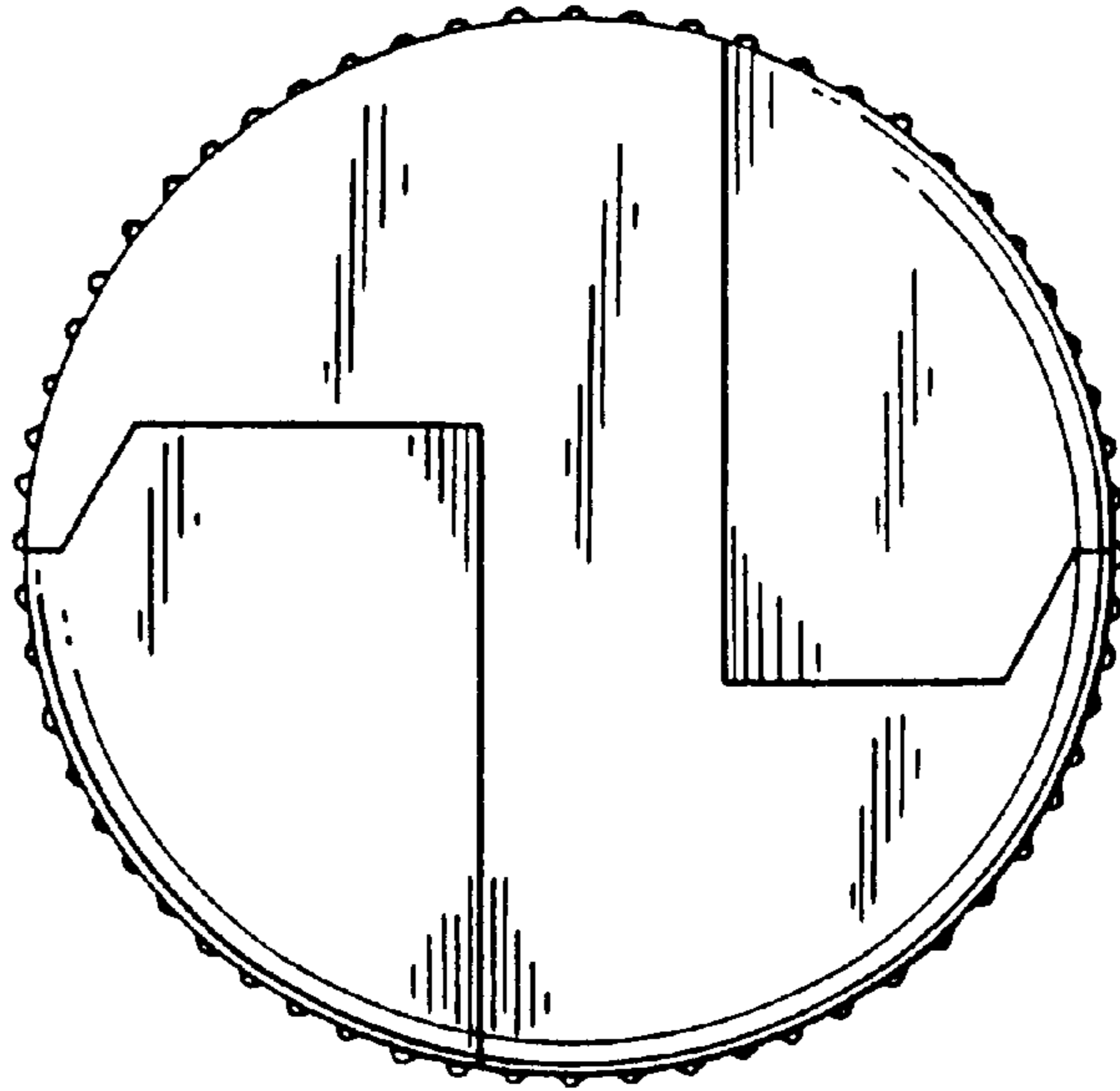


Fig. 6

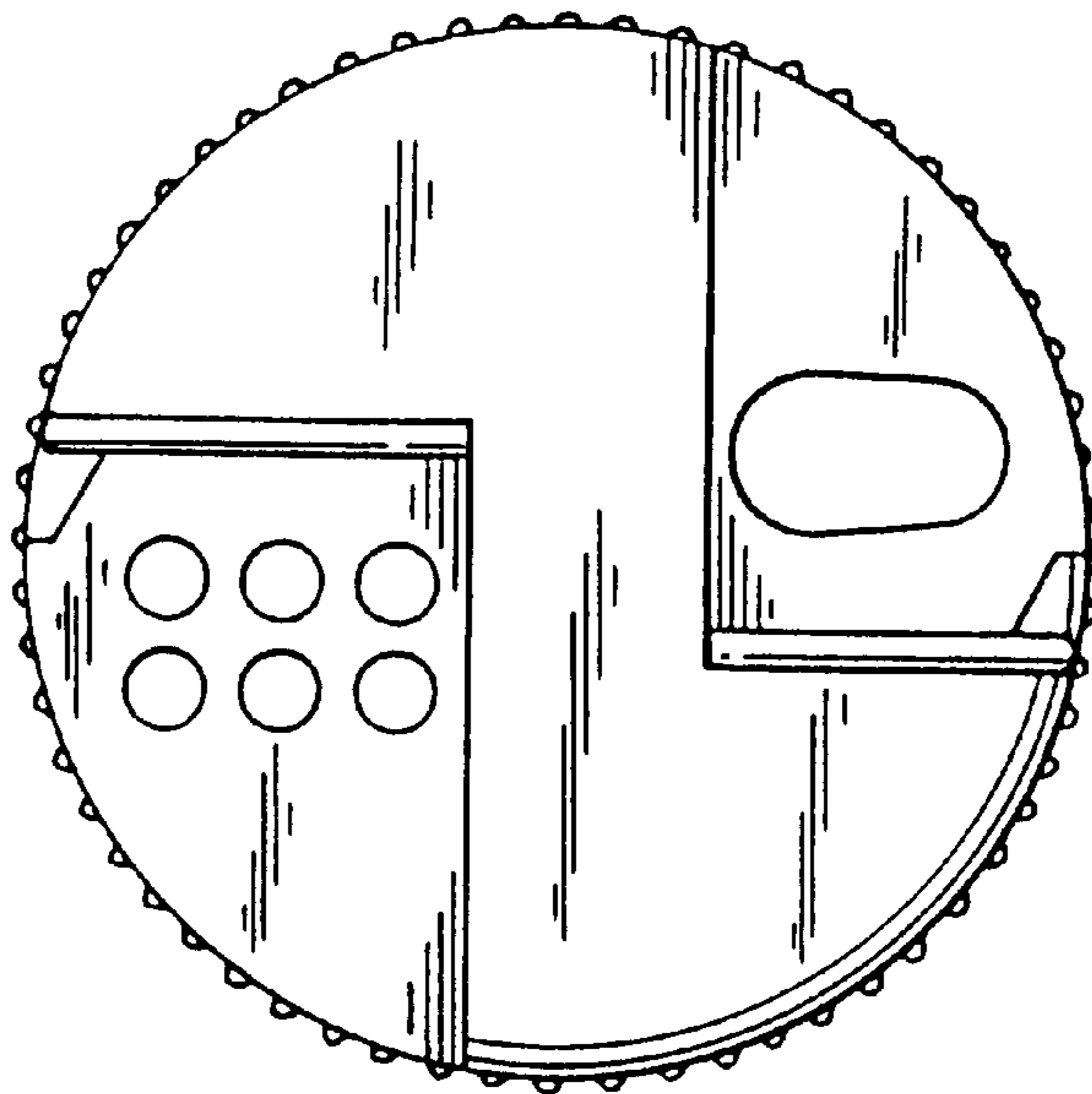


Fig. 7

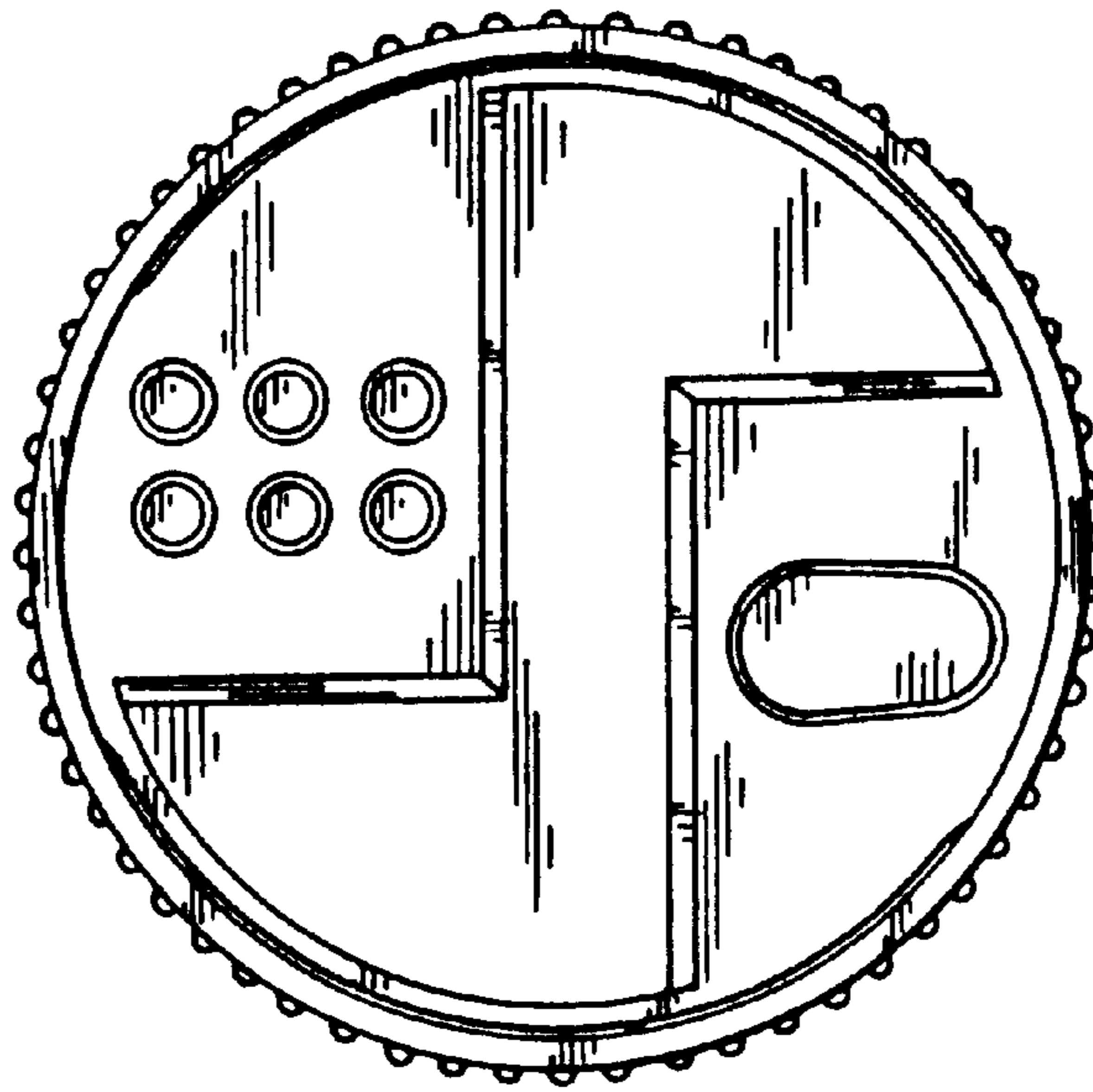


Fig. 8

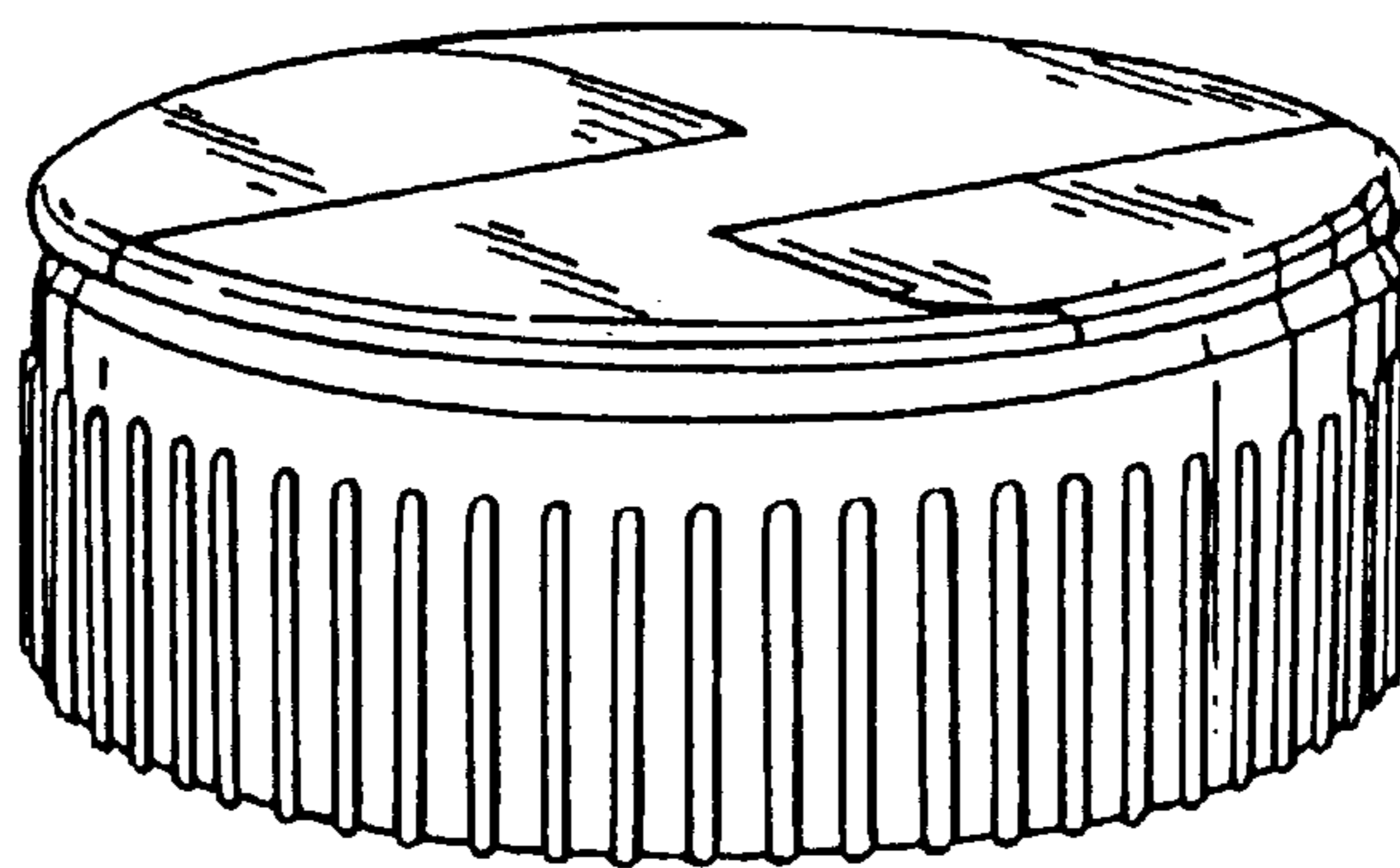


Fig. 9

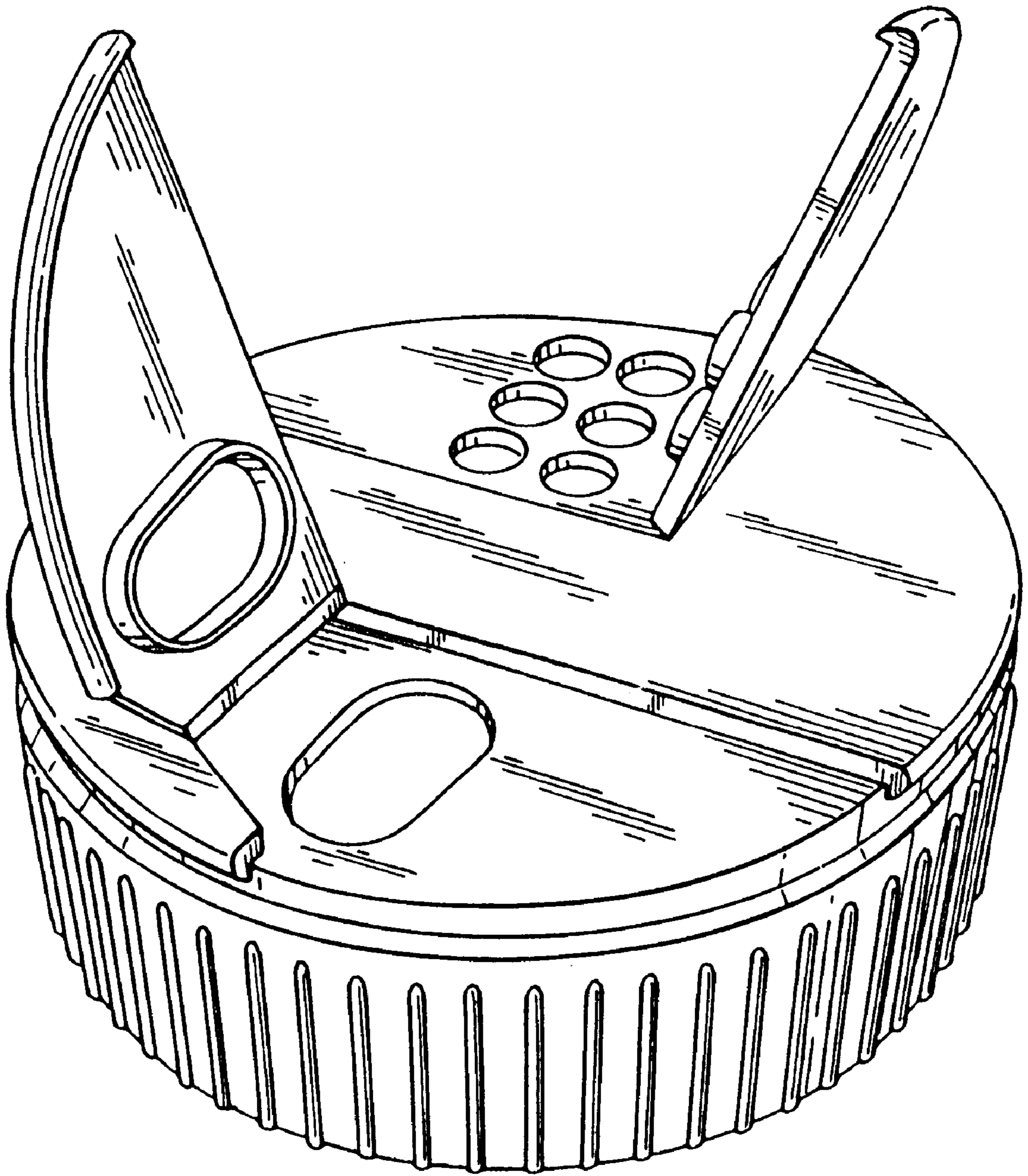


Fig. 10

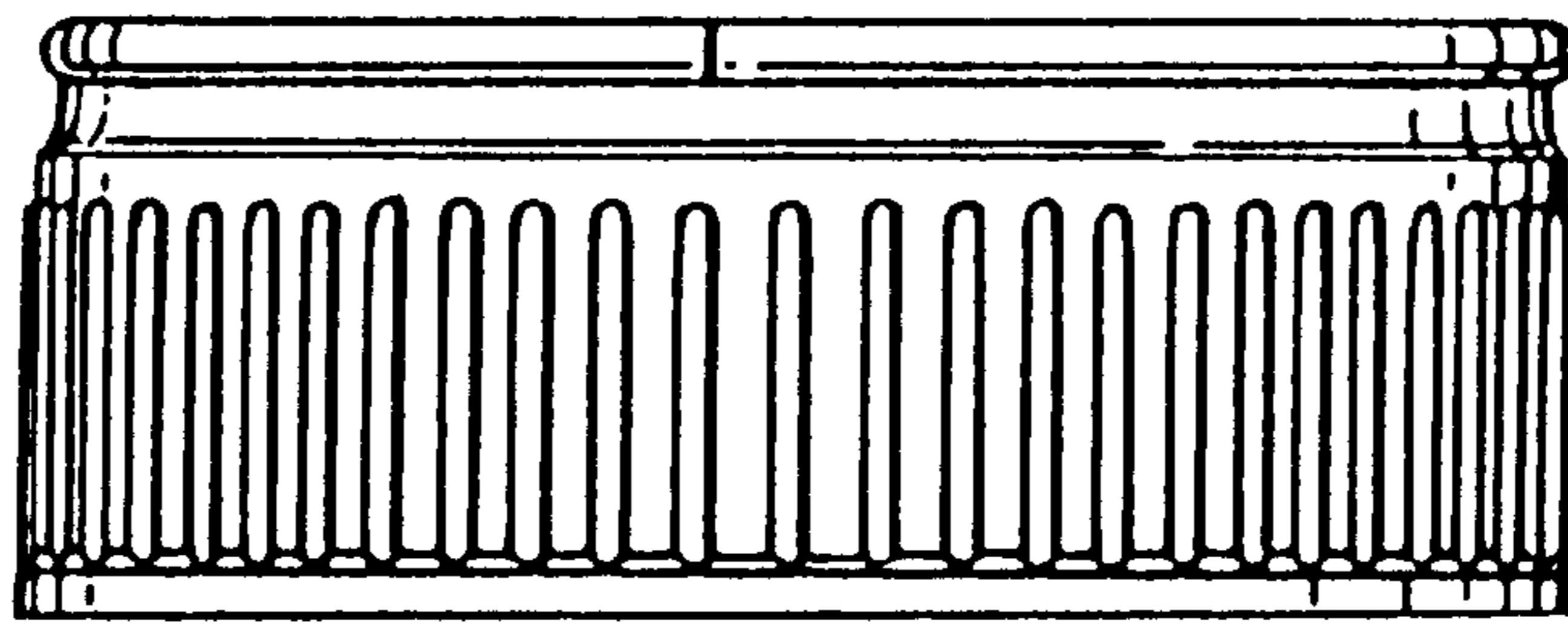


Fig. 11

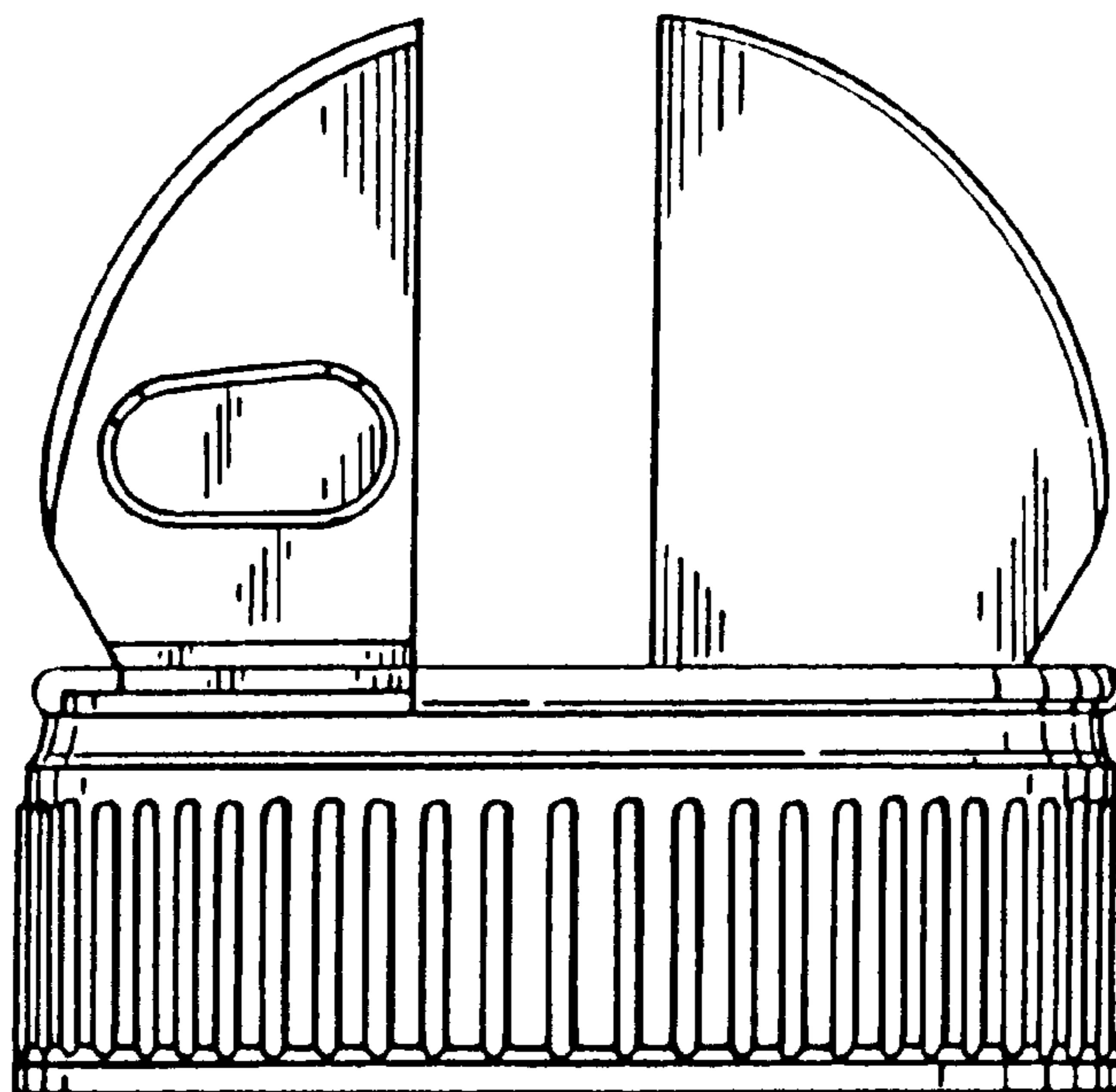


Fig. 12



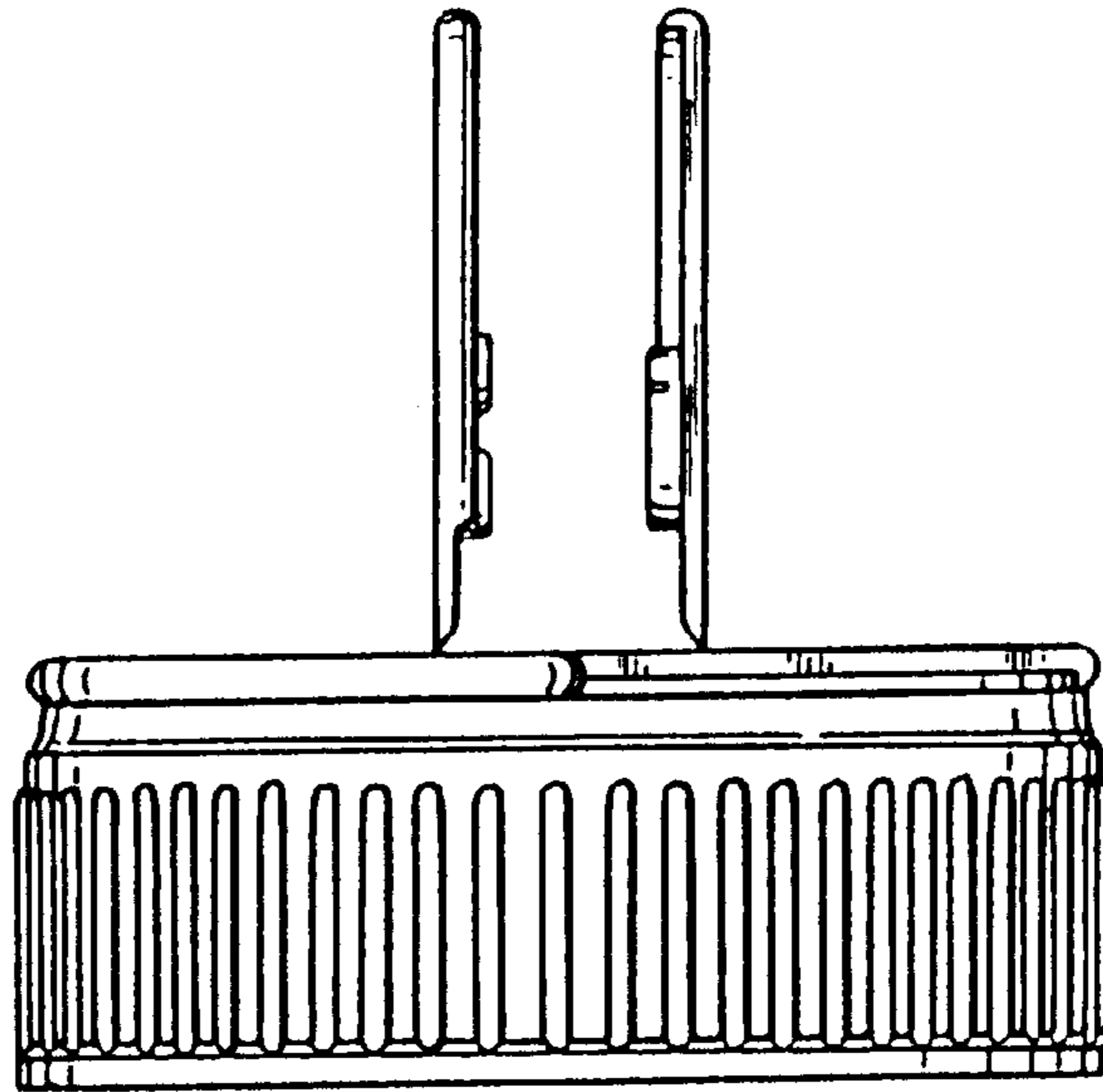


Fig. 13

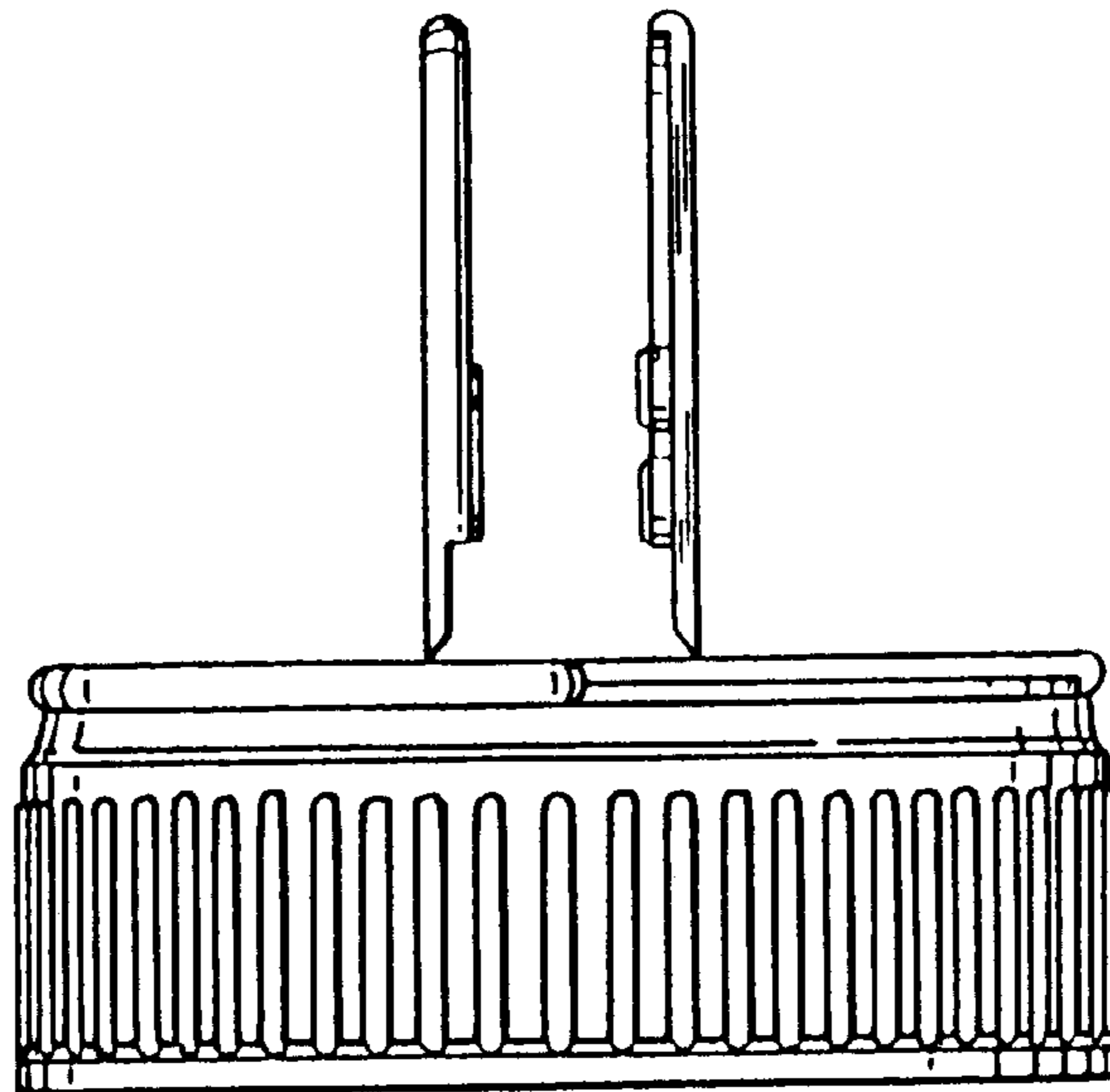


Fig. 14

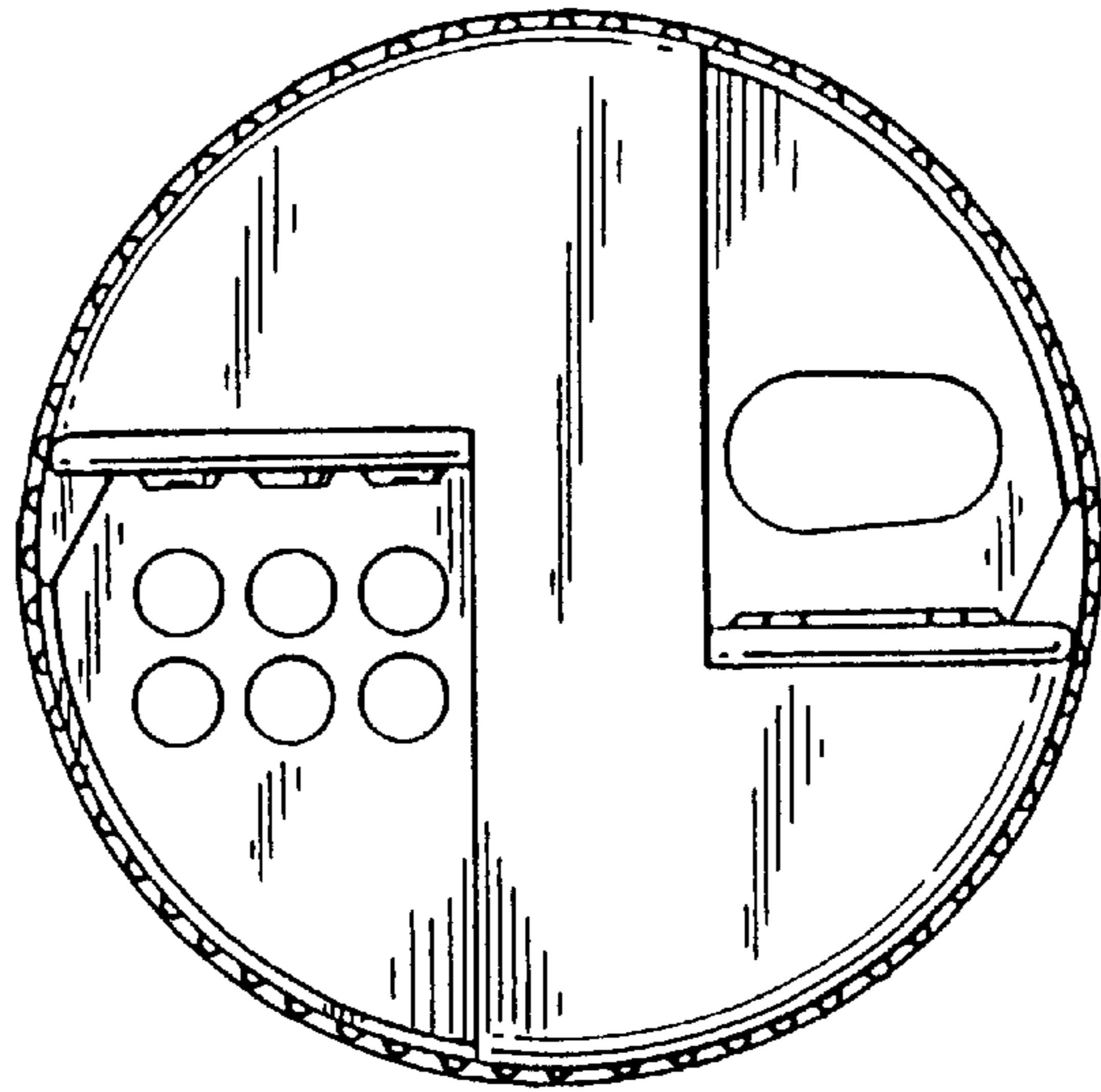


Fig. 15

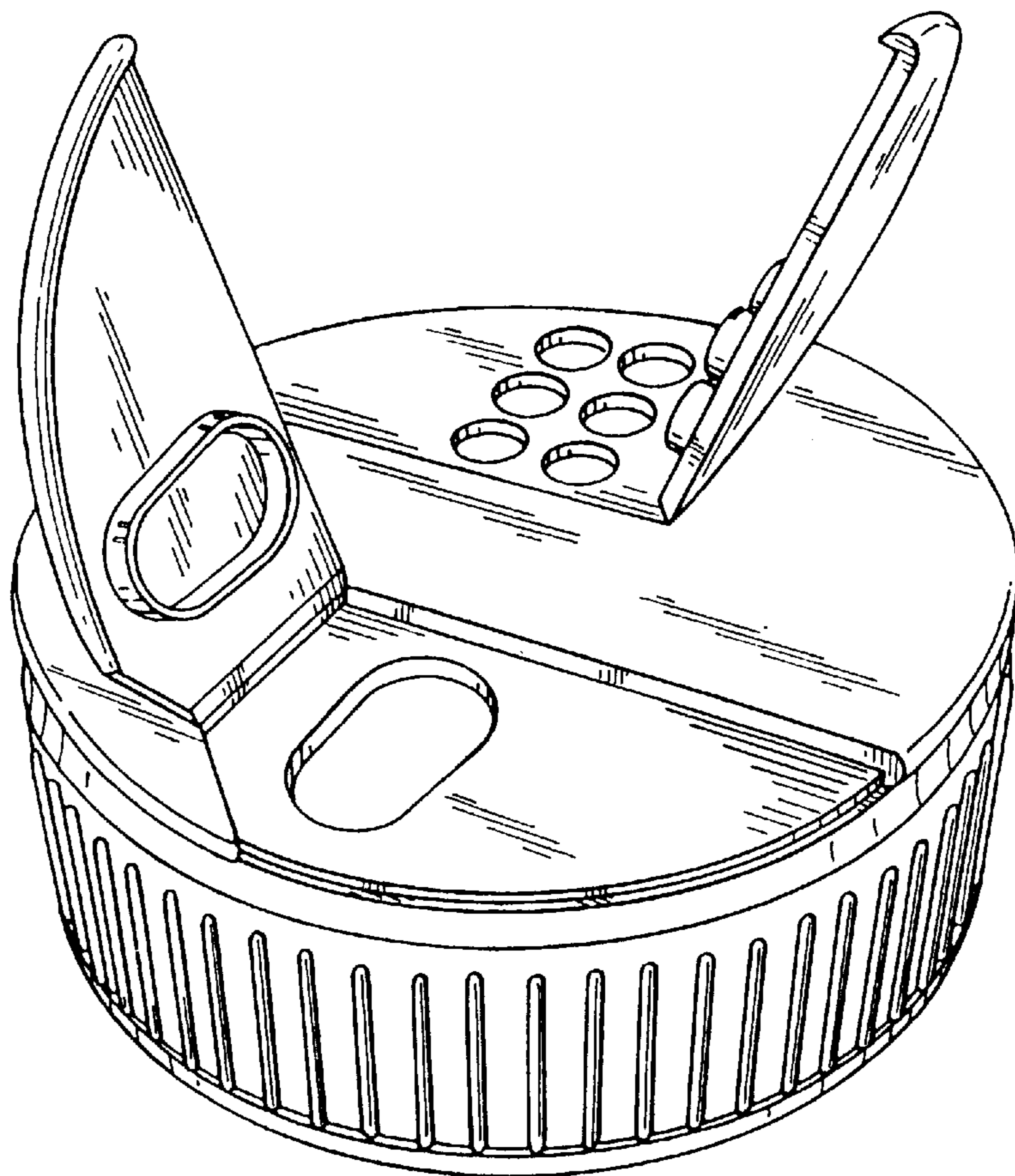


Fig. 16

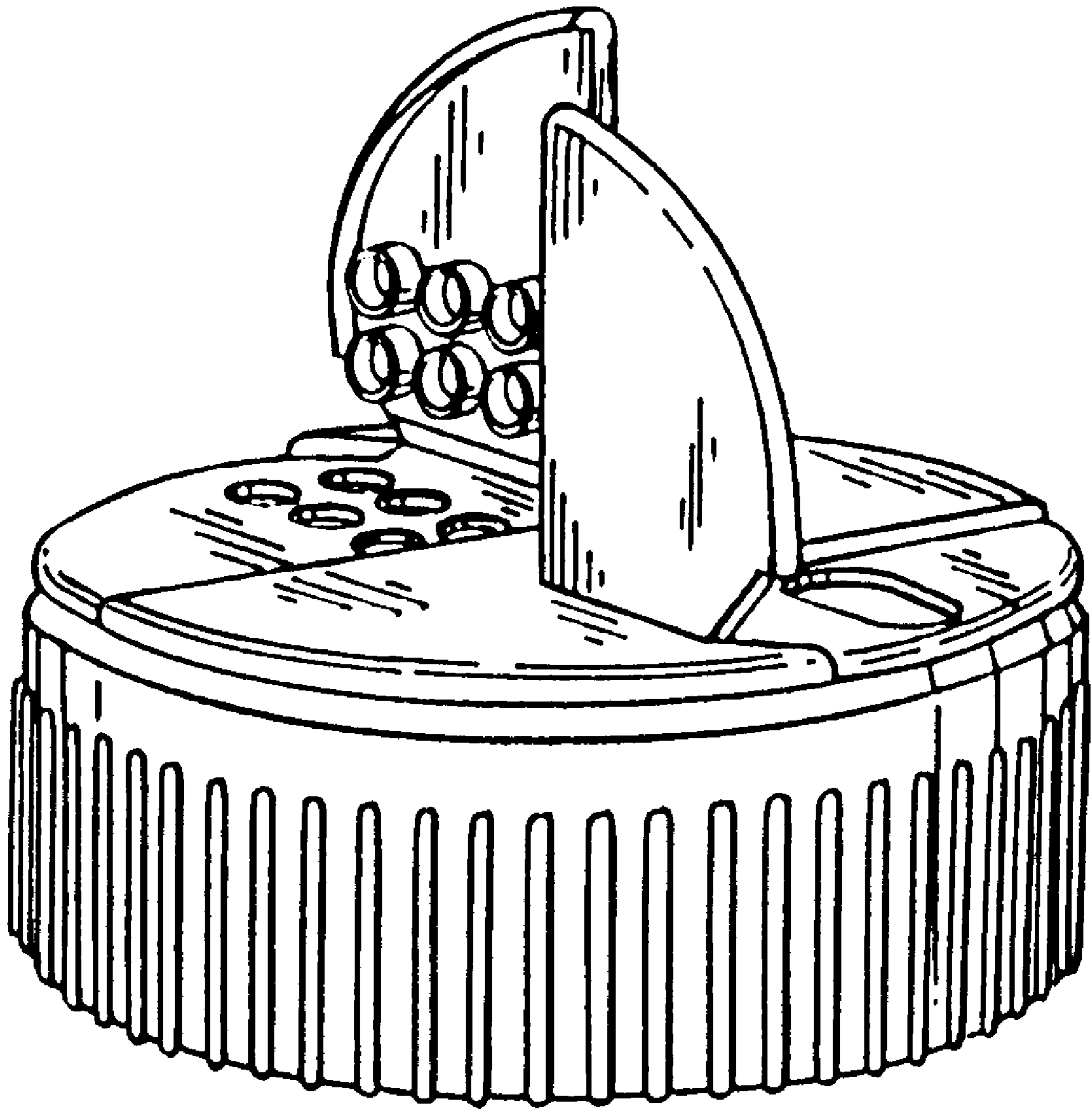


Fig. 17