



US00D410379S

United States Patent [19]
Hsiu-Chun

[11] **Patent Number: Des. 410,379**
[45] **Date of Patent: ** Jun. 1, 1999**

[54] **CLIP**
[76] Inventor: **Juan Hsiu-Chun**, 11F-2 43, Jan-I Street, Taichung, Taiwan
[**] Term: **14 Years**
[21] Appl. No.: **29/095,908**
[22] Filed: **Nov. 2, 1998**
[51] **LOC (6) Cl. 08-08**
[52] **U.S. Cl. D8/395**
[58] **Field of Search** D8/394-396, 58;
81/333; 269/90, 95-96, 203, 257; 24/500,
502, 507-511

D. 400,414 2/1997 Wilson et al. D8/58

Primary Examiner—Holly Baynham
Attorney, Agent, or Firm—Charles E. Baxley, Esq.

[57] **CLAIM**

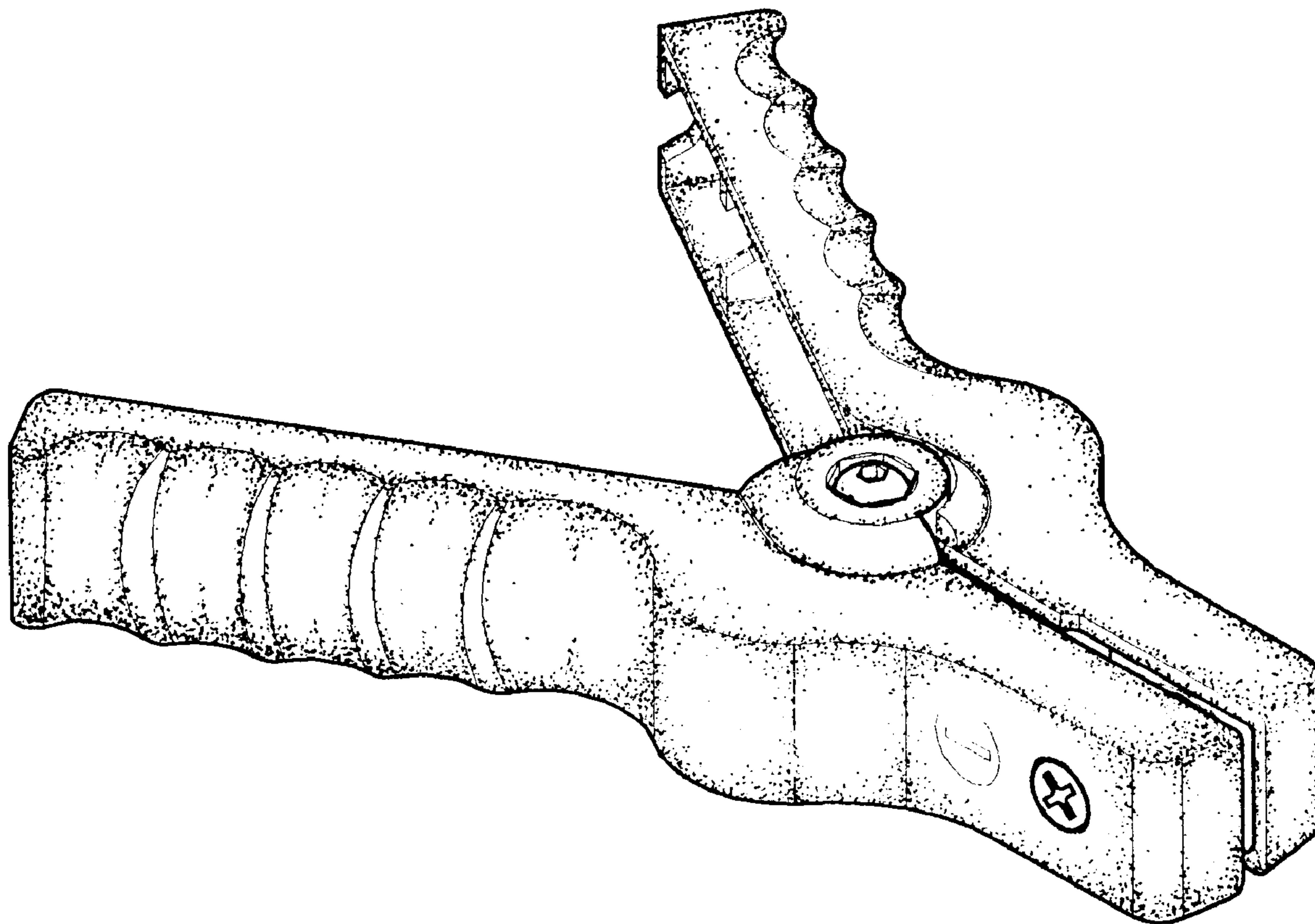
The ornamental design for a clip, as shown and described.

DESCRIPTION

FIG. 1 is a front-left-top perspective view of a clip, showing my new design;
FIG. 2 is a front elevational view thereof the rear side being a mirror image thereof;
FIG. 3 is a left elevational view thereof;
FIG. 4 is a right elevational view thereof;
FIG. 5 is a top plan view thereof; and,
FIG. 6 is a bottom plan view thereof.

[56] **References Cited**
U.S. PATENT DOCUMENTS
D. 350,892 9/1994 Sorensen D8/395

1 Claim, 2 Drawing Sheets



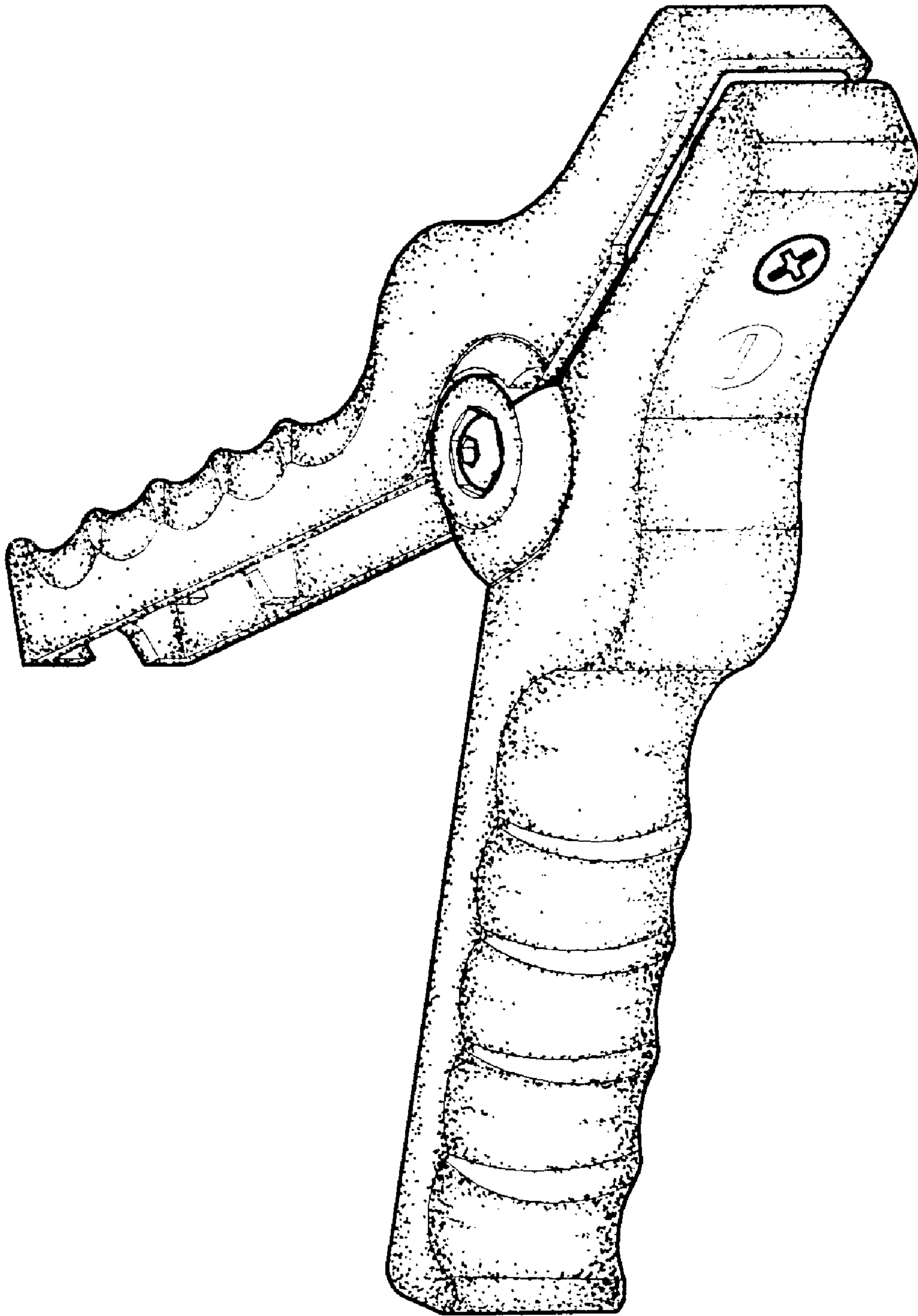


FIG. 1

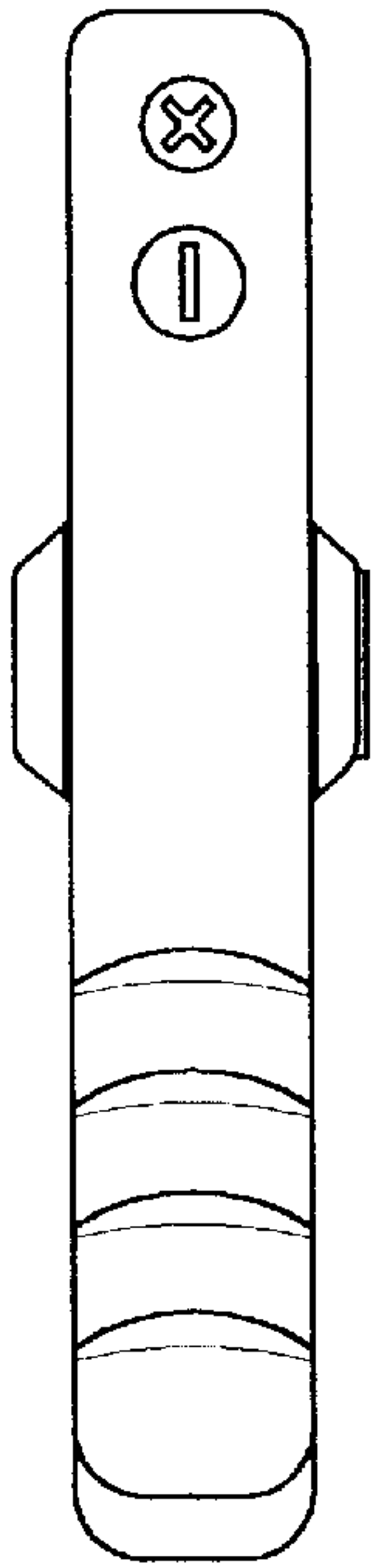


FIG 5

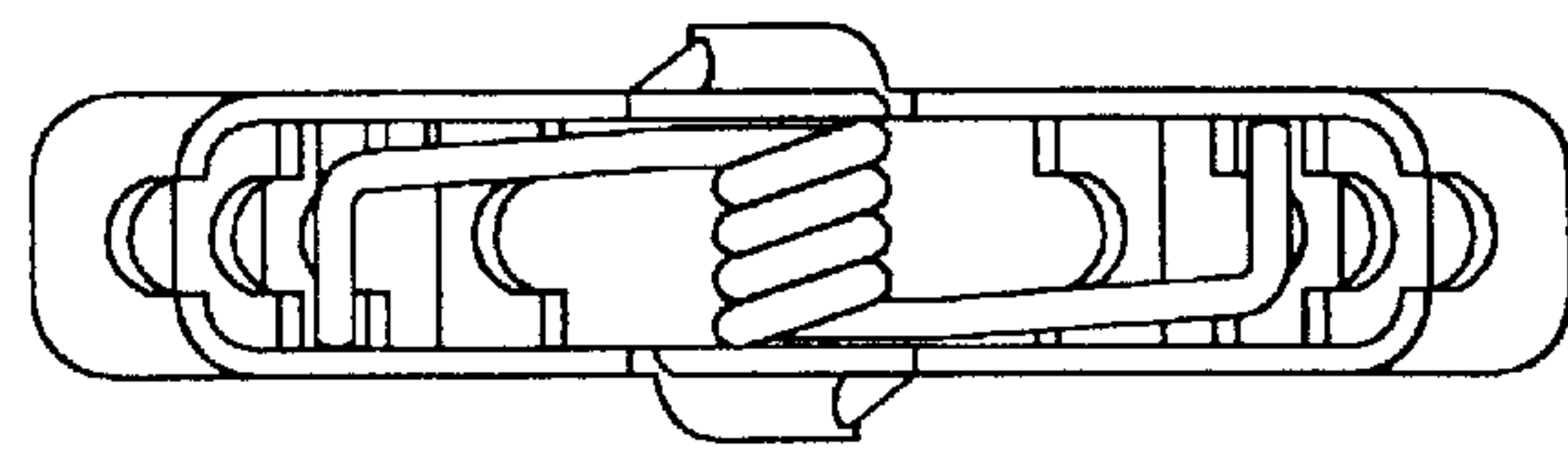


FIG 3

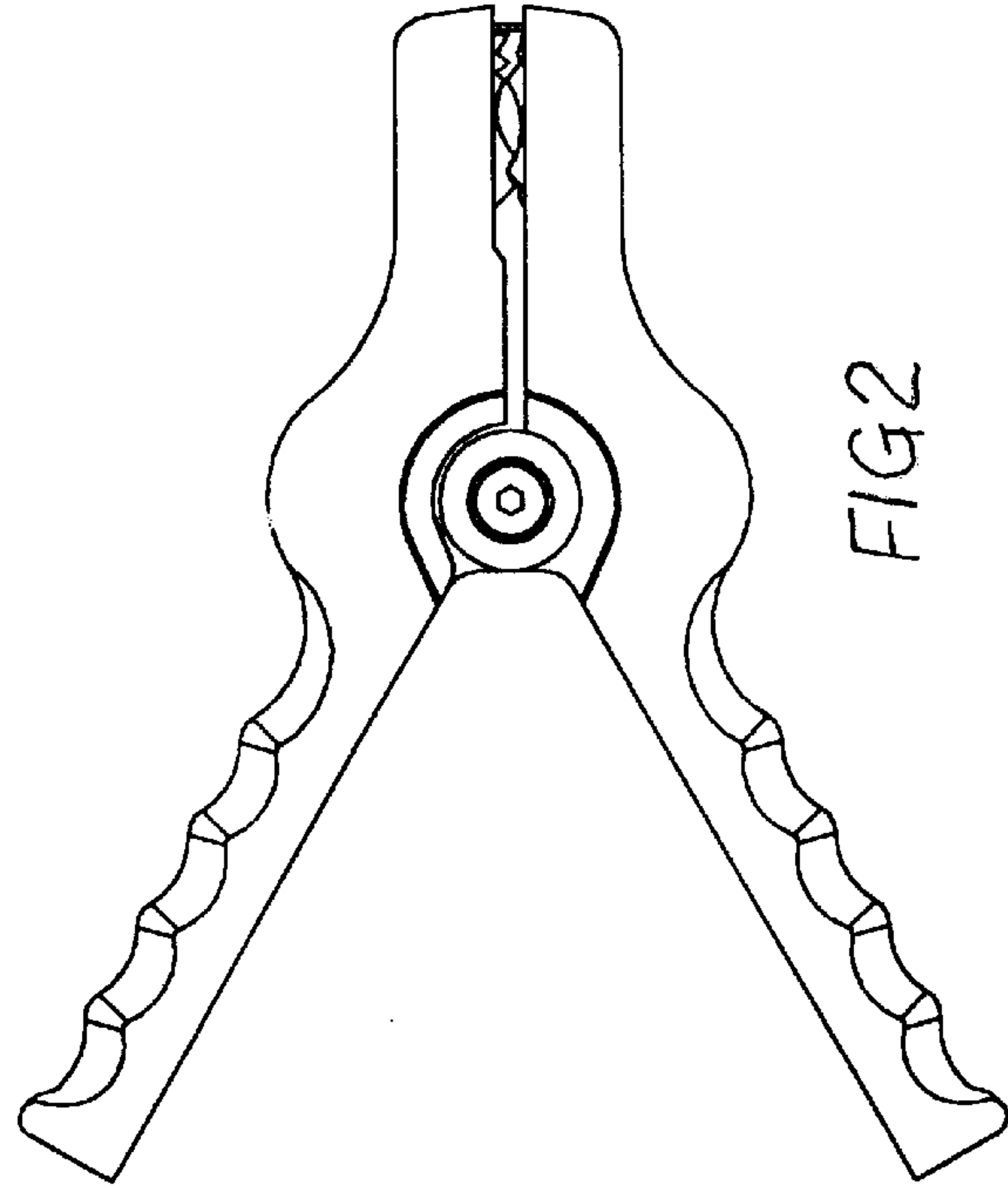


FIG 2

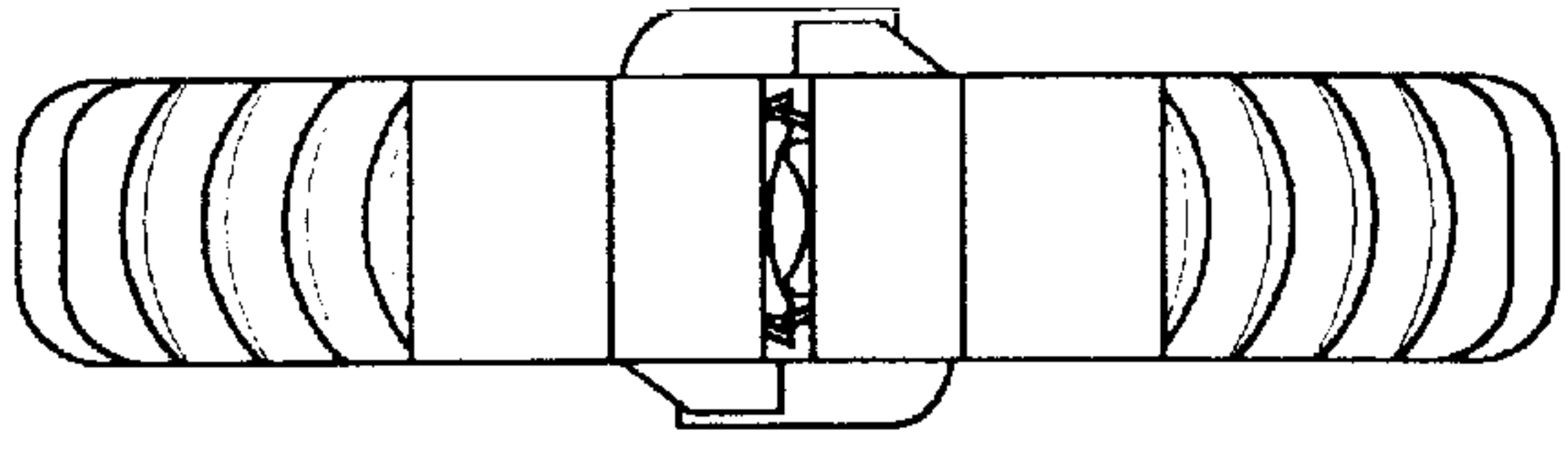


FIG 4

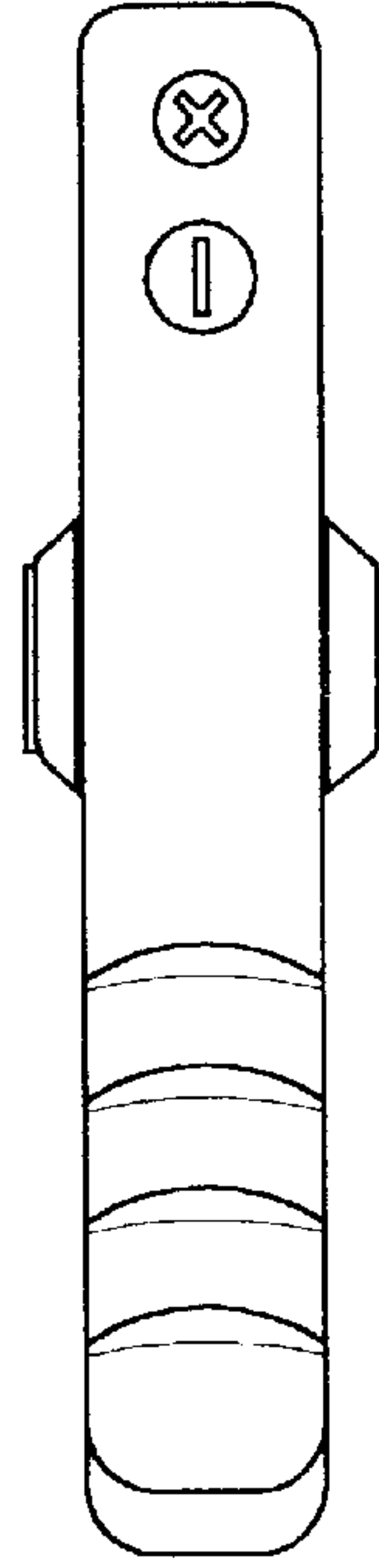


FIG 6