



US00D410377S

United States Patent [19] Bredemeier

[11] **Patent Number: Des. 410,377**
[45] **Date of Patent: ** Jun. 1, 1999**

[54] **ROD SUPPORT**

419,302 1/1890 Allen 248/268
917,601 4/1909 Heinrichs 248/262
1,824,385 9/1931 Wintrob 248/262

[75] Inventor: **David Bredemeier**, Rehoboth, Mass.

[73] Assignee: **Kenney Manufacturing Company**,
Warwick, R.I.

Primary Examiner—Holly Baynham
Attorney, Agent, or Firm—Robert J. Doherty

[**] Term: **14 Years**

[57] **CLAIM**

[21] Appl. No.: **29/092,624**

The ornamental design for a rod support, as shown and described.

[22] Filed: **Aug. 24, 1998**

DESCRIPTION

[51] **LOC (6) Cl.** **08-05**

[52] **U.S. Cl.** **D8/363**

[58] **Field of Search** D8/363; 248/261–262;
160/349.1, 349.2

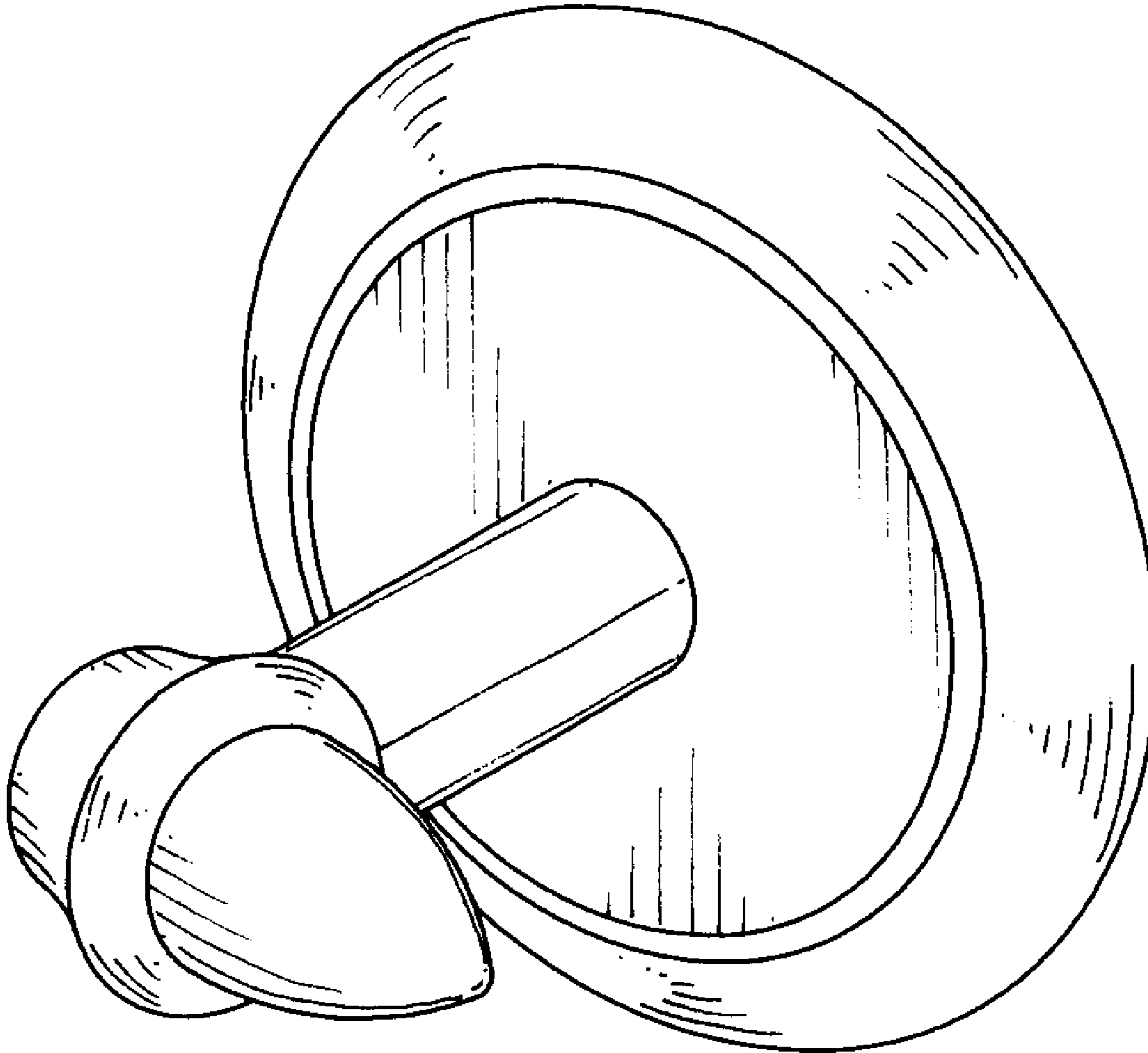
FIG. 1 is a right side perspective view of a rod support showing my new design;
FIG. 2 is a left side elevational view thereof;
FIG. 3 is a right side elevational view thereof;
FIG. 4 is a top view, the bottom view being the mirror image thereof; and,
FIG. 5 is a front view, the rear view having no significant design feature thereof.

[56] **References Cited**

U.S. PATENT DOCUMENTS

D. 204,057 3/1966 Logan D8/363
D. 216,458 1/1970 Leonard D8/363
D. 300,803 4/1989 Whitley, II D8/363

1 Claim, 2 Drawing Sheets



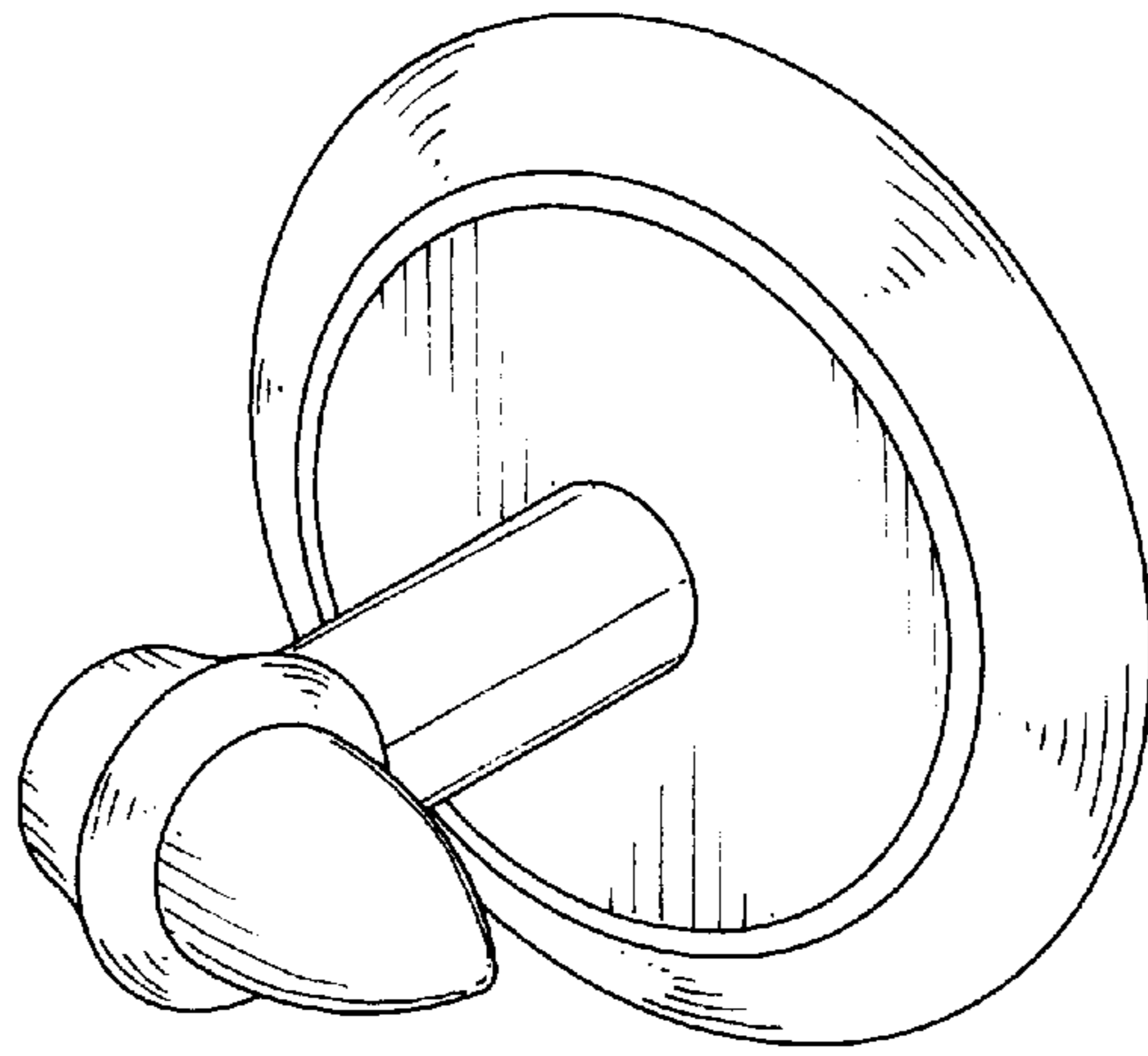


FIG. 1

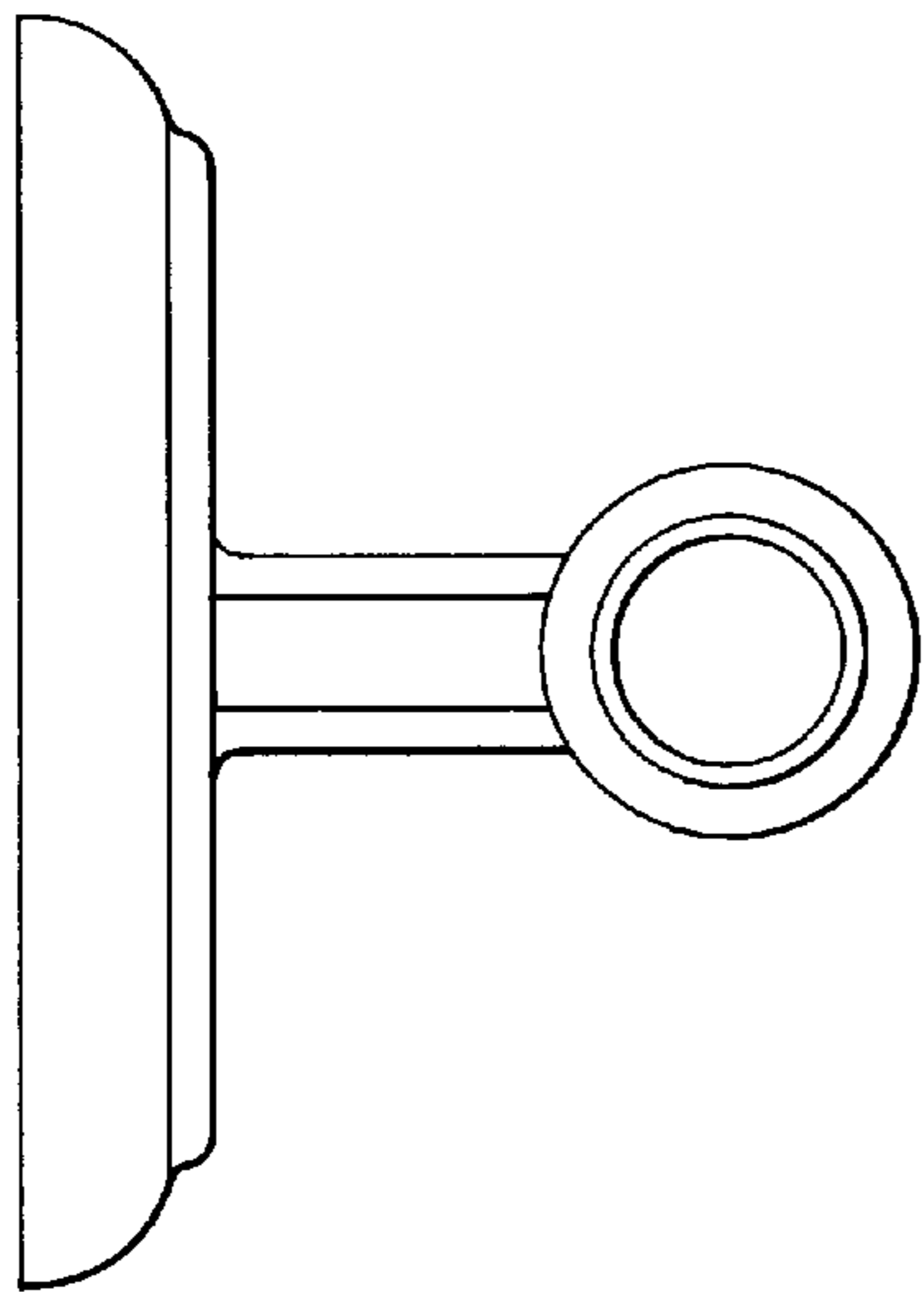


FIG. 2

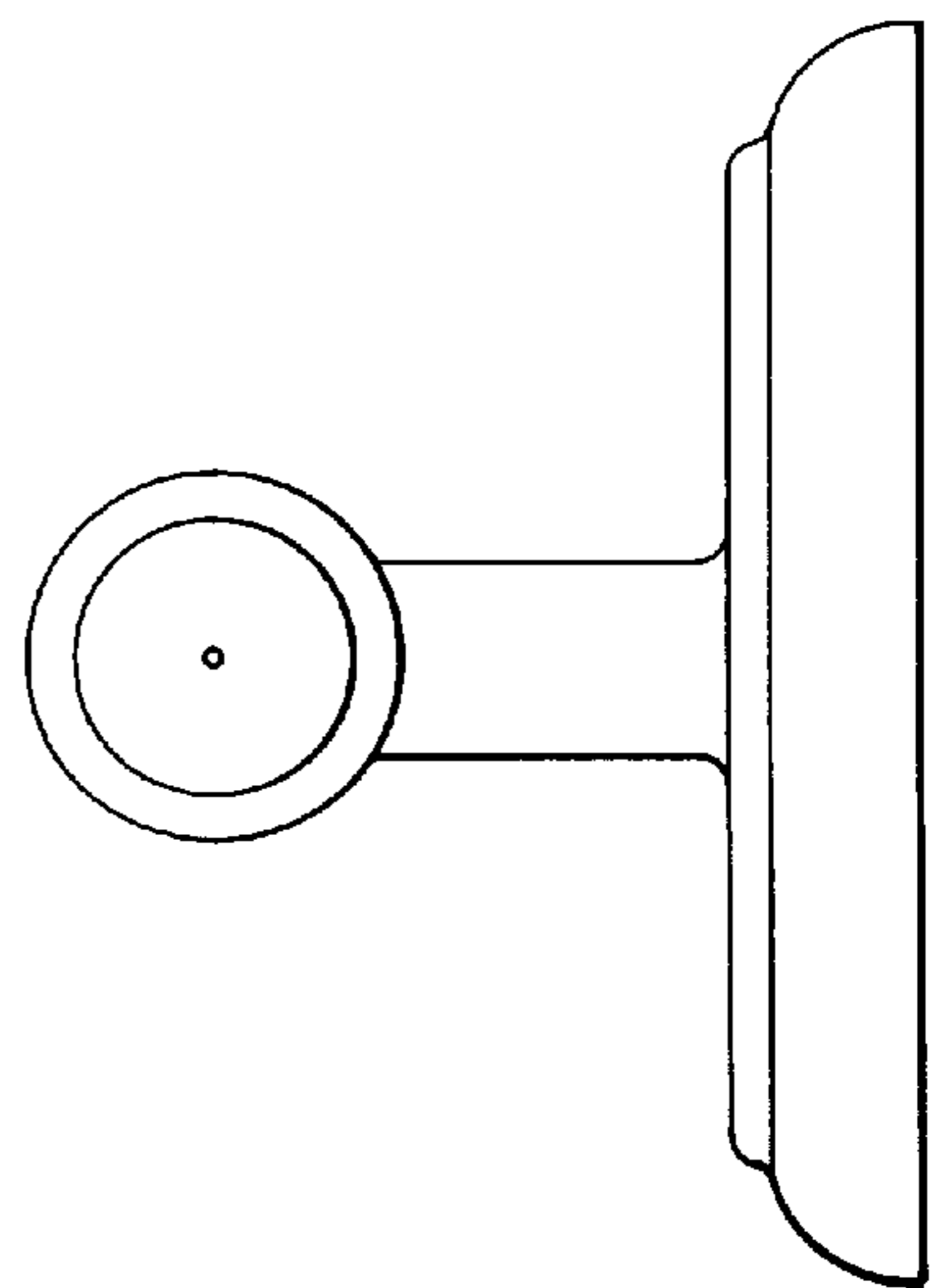


FIG. 3

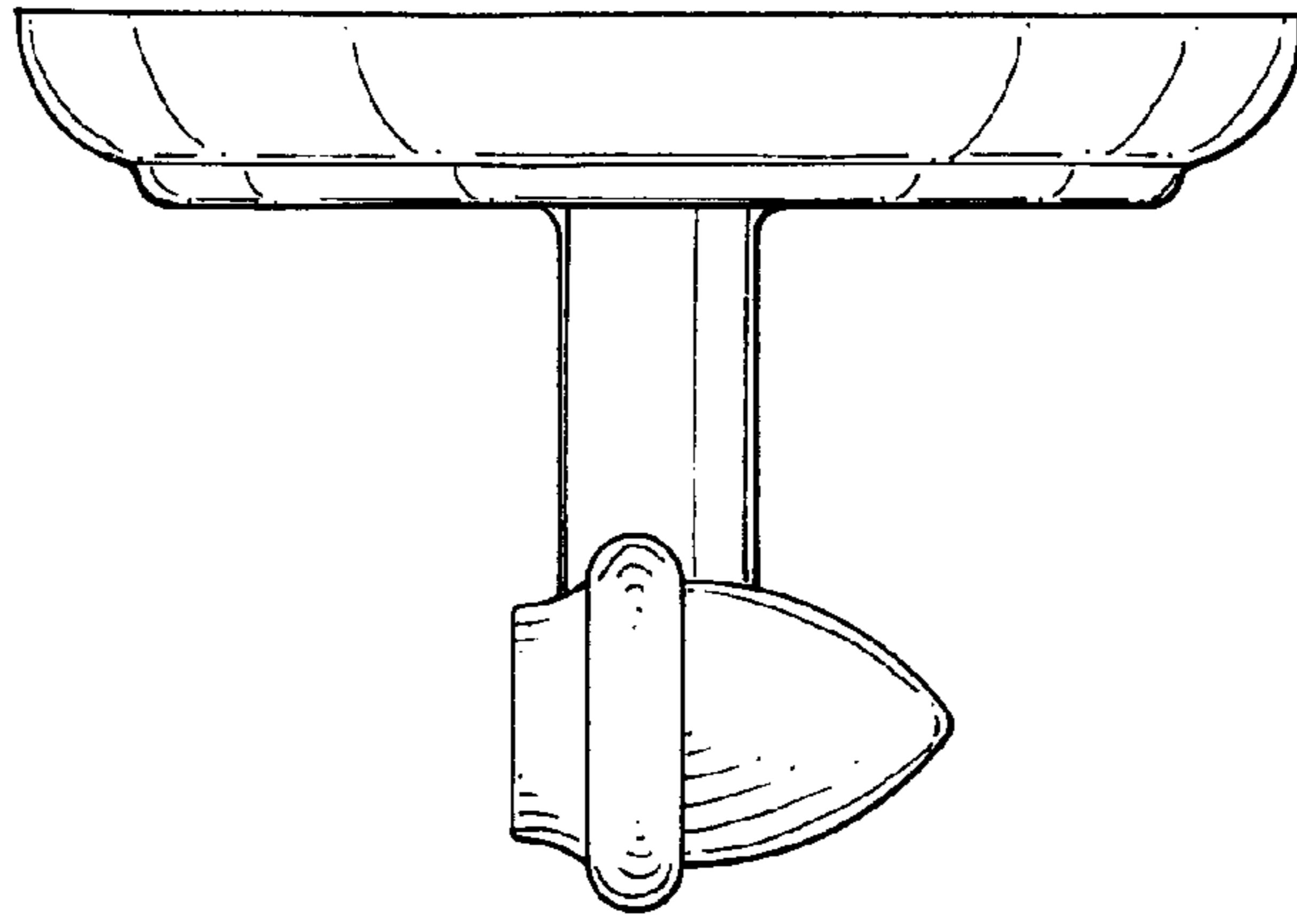


FIG. 4

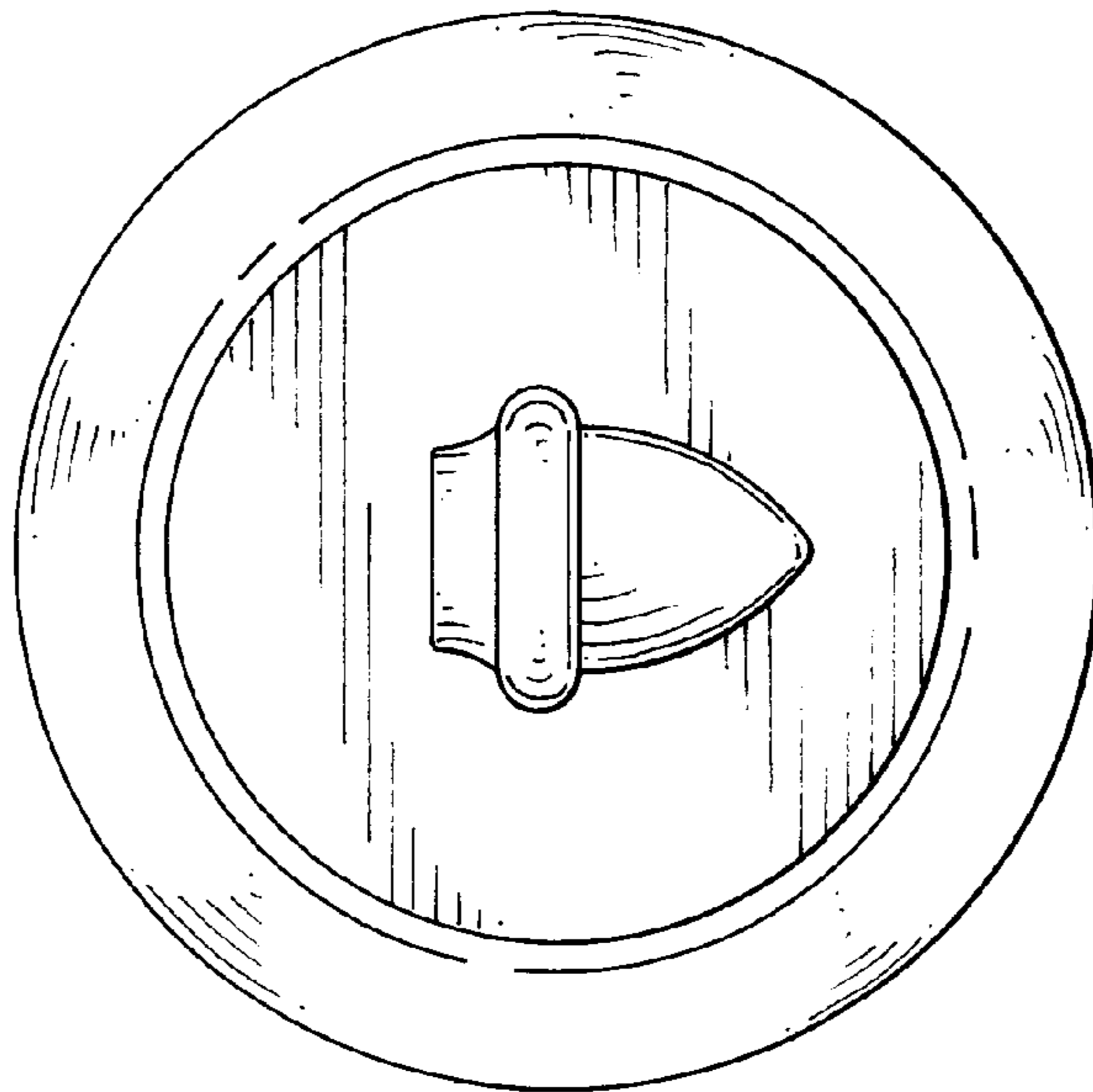


FIG. 5