



US00D410376S

United States Patent [19] Scholl

[11] **Patent Number: Des. 410,376**
[45] **Date of Patent: ** Jun. 1, 1999**

[54] **ROD HOLDER**

[75] Inventor: **Winfried Scholl**, Düsseldorf, Germany

[73] Assignee: **HEWI-Heinrich Wilke GmbH**, Bad Arolsen, Germany

[**] Term: **14 Years**

[21] Appl. No.: **29/055,873**

[22] Filed: **Jun. 14, 1996**

Related U.S. Application Data

[62] Division of application No. 29/024,907, Jun. 23, 1994, Pat. No. Des. 374,167.

[30] **Foreign Application Priority Data**

Dec. 23, 1993 [DE] Germany M 93 09 983

[51] **LOC (6) Cl.** **08-05**

[52] **U.S. Cl.** **D8/363**

[58] **Field of Search** D8/363, 373, 380; D6/546, 549; D12/117; 248/251, 309.1

[56] **References Cited**

U.S. PATENT DOCUMENTS

D. 300,803	4/1989	Whitley	D8/380 X
D. 334,315	3/1993	Bengston	D6/546 X
D. 343,085	1/1994	Bell	D6/546 X

Primary Examiner—Holly Baynham
Attorney, Agent, or Firm—Michael J. Striker

[57] **CLAIM**

The ornamental design for a rod holder, as shown and described.

DESCRIPTION

FIG. 1 is a perspective view of a rod holder design; FIG. 2 is a side plan view thereof; FIG. 3 is an environmental perspective view of my design; FIG. 4 is an opposite side view thereof; and, FIG. 5 is another environmental perspective view thereof. The broken line showing of a rod in FIGS. 3-5 is for illustrative purposes only and forms no part of the claimed design.

1 Claim, 2 Drawing Sheets

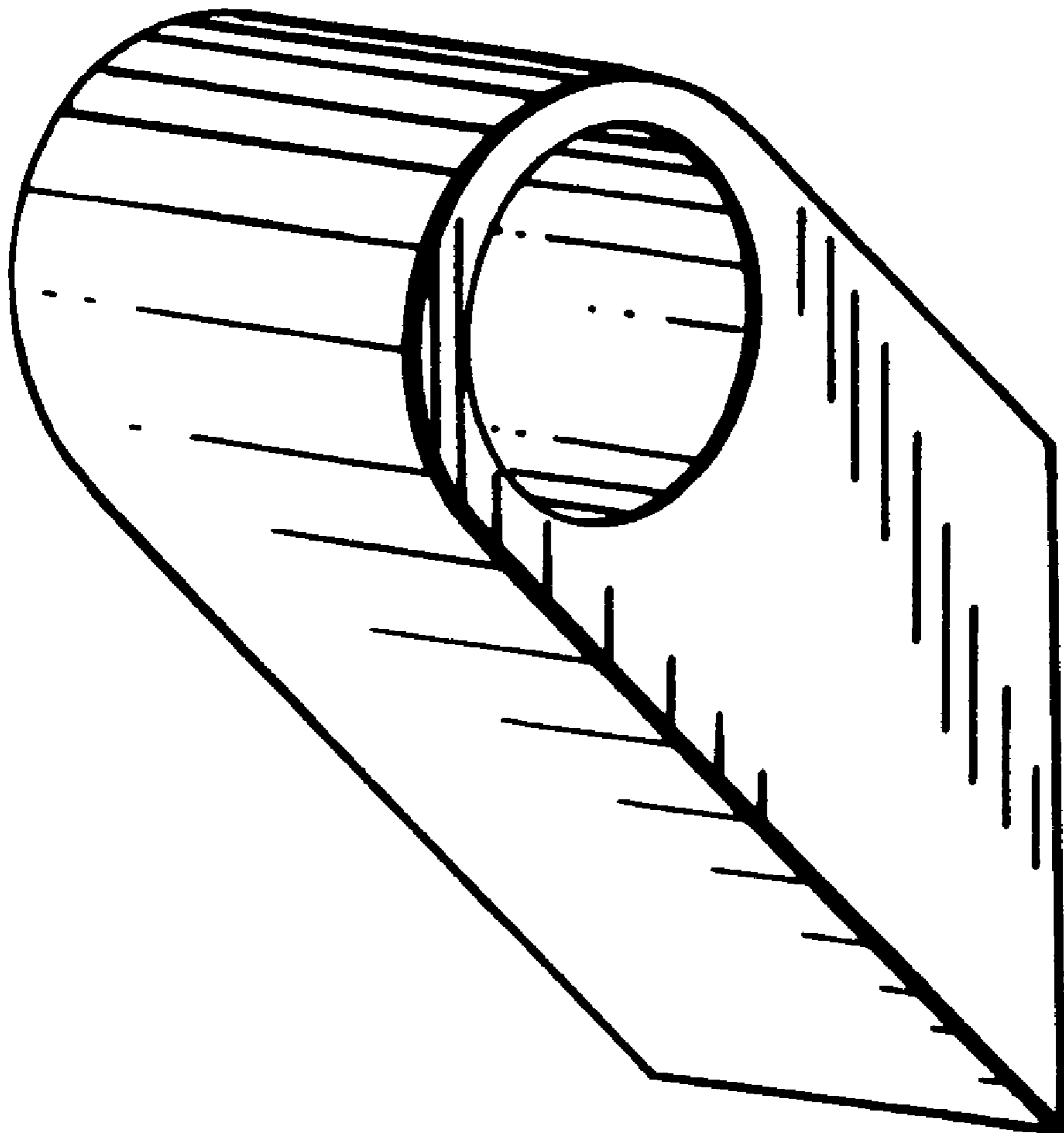


FIG. 1

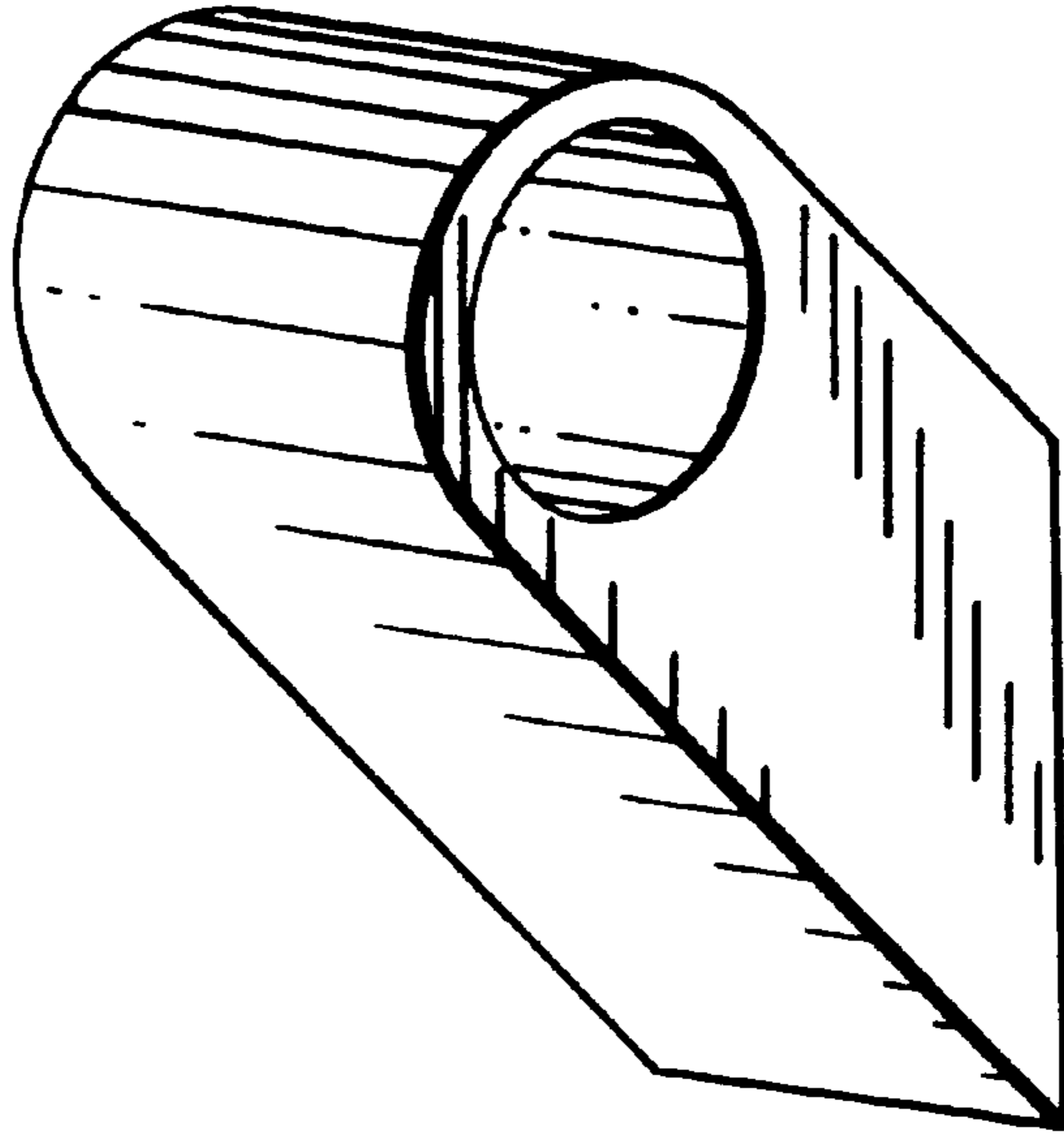
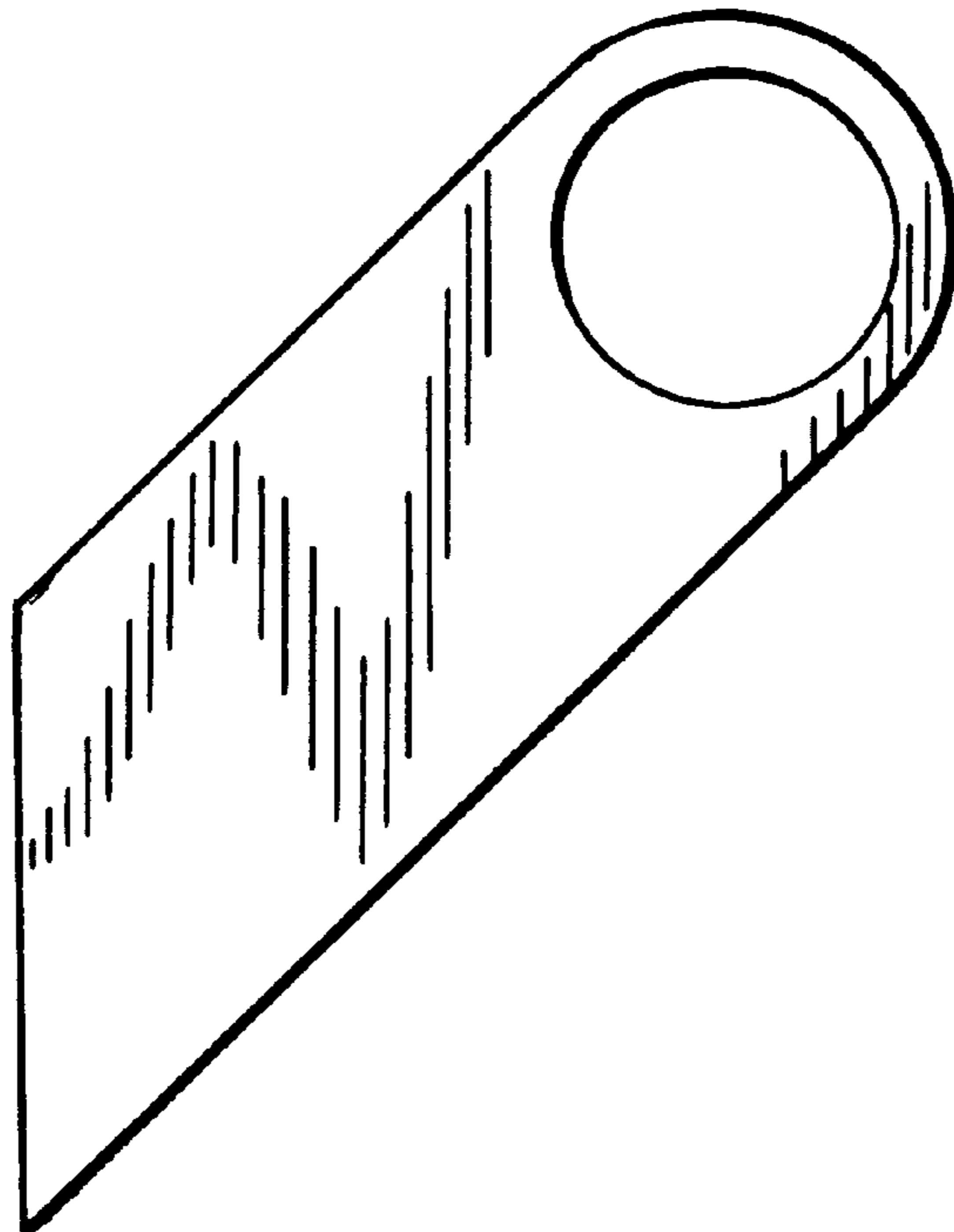


FIG. 2



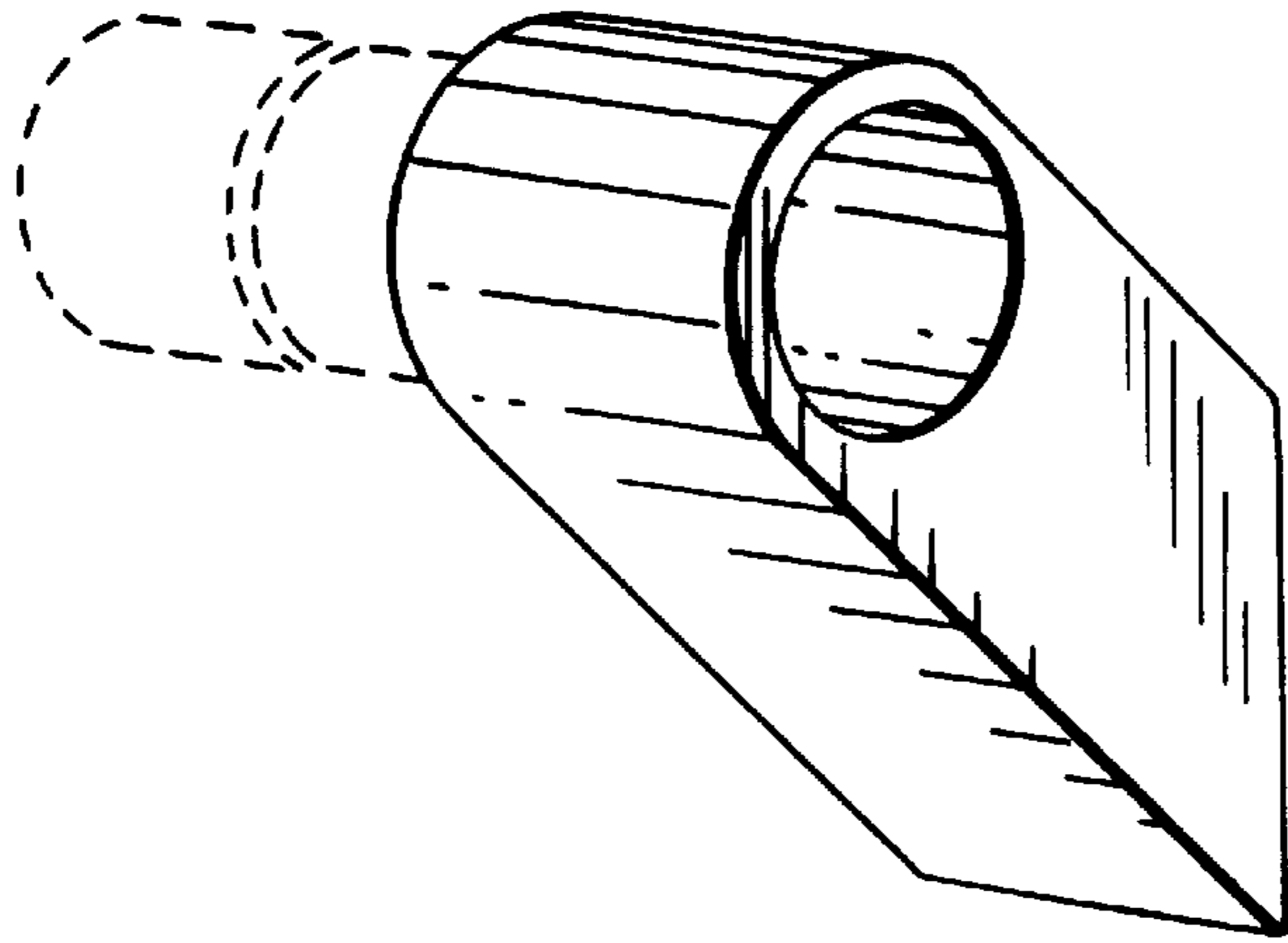


FIG. 3

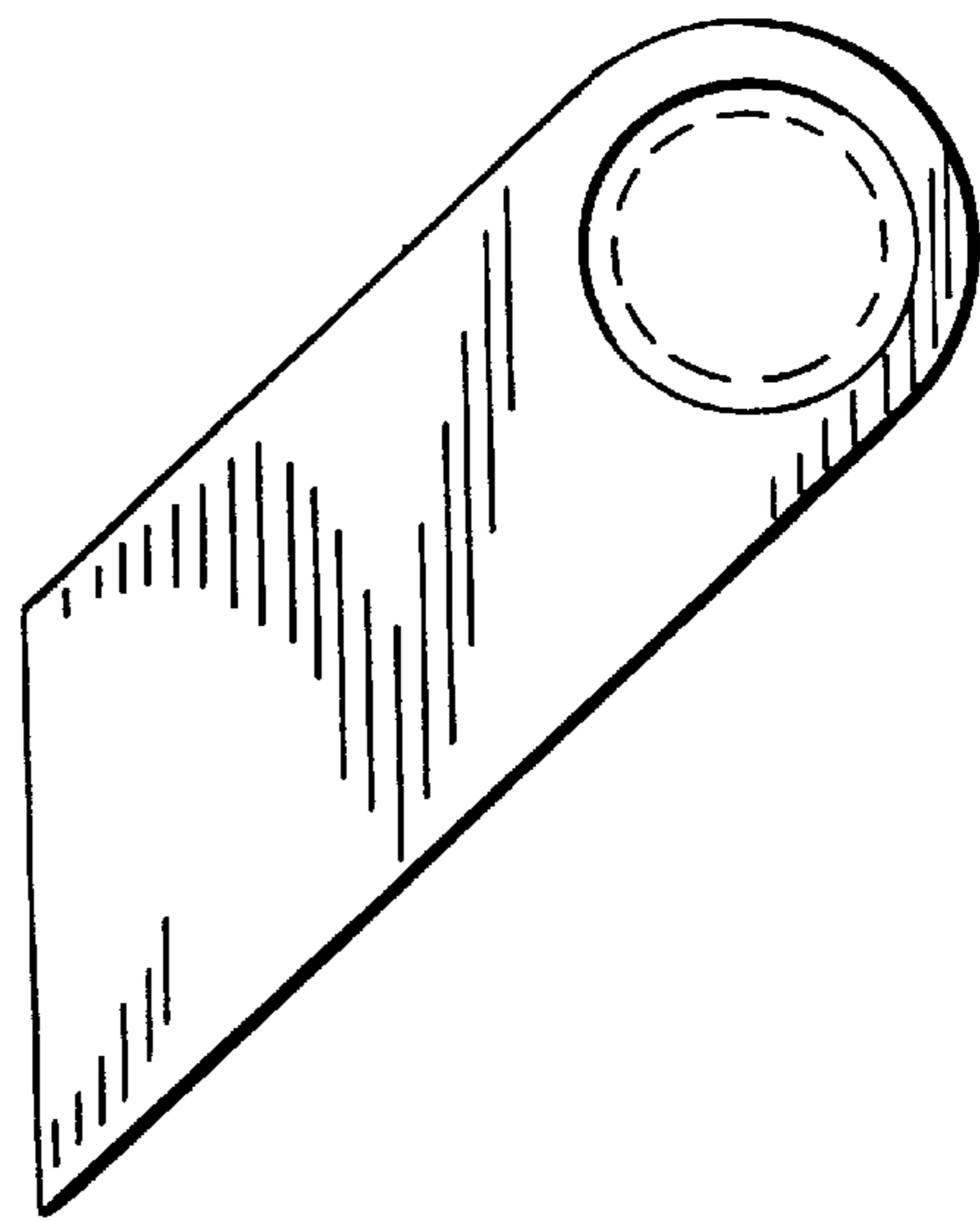


FIG. 4

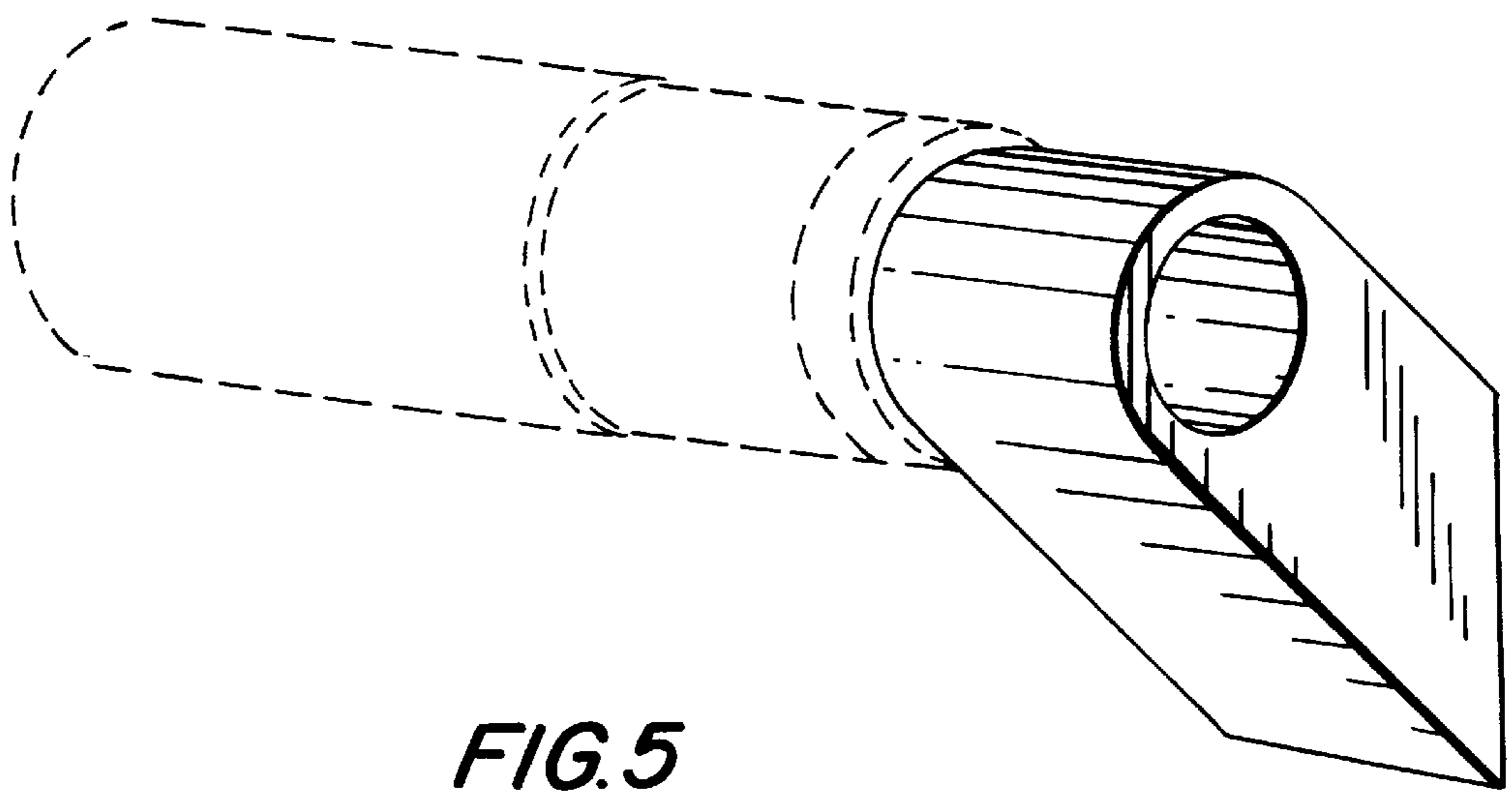


FIG. 5