



US00D410375S

United States Patent [19]

[11] Patent Number: **Des. 410,375**

Yacobi et al.

[45] Date of Patent: **** Jun. 1, 1999**

[54] **HOSE REEL CASING**

[75] Inventors: **Michael S. Yacobi**, Powell; **Thomas W. Parker**, Columbus; **Lawrence D. Gibbs**, Fairfield; **Hans Hjort**, West Chester, all of Ohio

[73] Assignee: **Uniontools**, Columbus, Ohio

[**] Term: **14 Years**

[21] Appl. No.: **29/083,554**

[22] Filed: **Feb. 13, 1998**

[51] **LOC (6) Cl.** **08-05**

[52] **U.S. Cl.** **D8/358**

[58] **Field of Search** D8/358, 359; 242/405, 242/405.3; 191/12 R, 12.4

[56] **References Cited**

U.S. PATENT DOCUMENTS

177,367	5/1876	Bartlett .	
D. 289,492	4/1987	Clivio et al.	D8/359
D. 338,610	8/1993	Johansson	D8/358
D. 352,449	11/1994	Rosine	D8/359
D. 360,822	8/1995	Anderson	D8/358
D. 374,166	10/1996	Czerwinski et al.	D8/359

D. 377,447	1/1997	Blye	D8/358
4,220,293	9/1980	Gename	242/86.1
4,543,982	10/1985	Wolfe	137/355.2
4,793,376	12/1988	Hare	137/355.23
4,832,074	5/1989	Li	137/355.2
5,404,900	4/1995	Fletchall	137/355.27

Primary Examiner—Holly Baynham
Attorney, Agent, or Firm—Finnegan, Farabow, Garrett & Dunner, LLP

[57] **CLAIM**

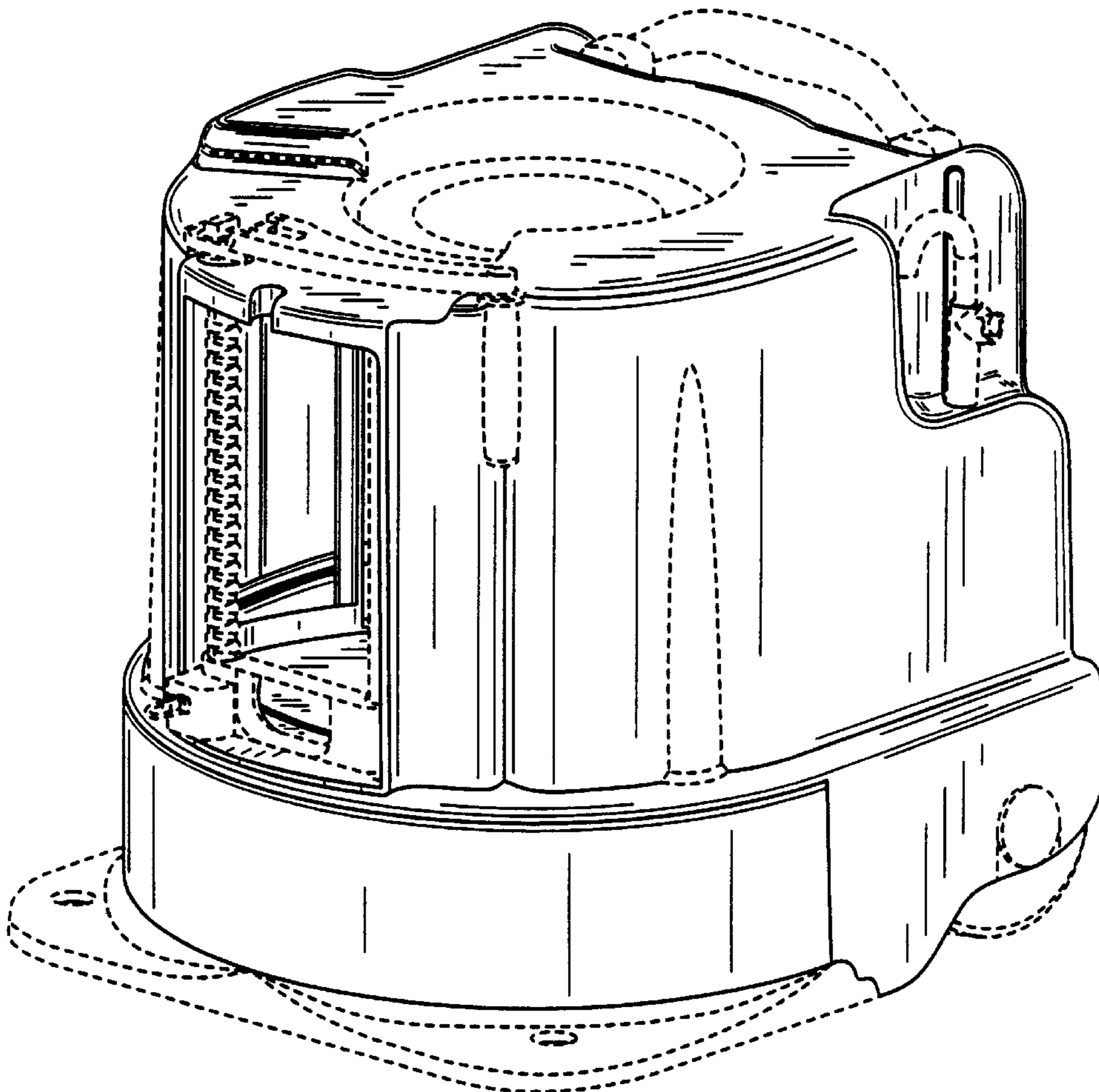
The ornamental design of a hose reel casing, as shown and described.

DESCRIPTION

FIG. 1 is a front perspective view of a hose reel casing; FIG. 2 is a front plan view thereof; FIG. 3 is a rear plan view thereof; FIG. 4 is a left side plan view thereof; FIG. 5 is a right plan view thereof; FIG. 6 is a top plan view thereof; and, FIG. 7 is a bottom plan view thereof.

The broken line showing of portions of the hose reel casing are for illustrative purposes only and forms no part of the claim design.

1 Claim, 7 Drawing Sheets



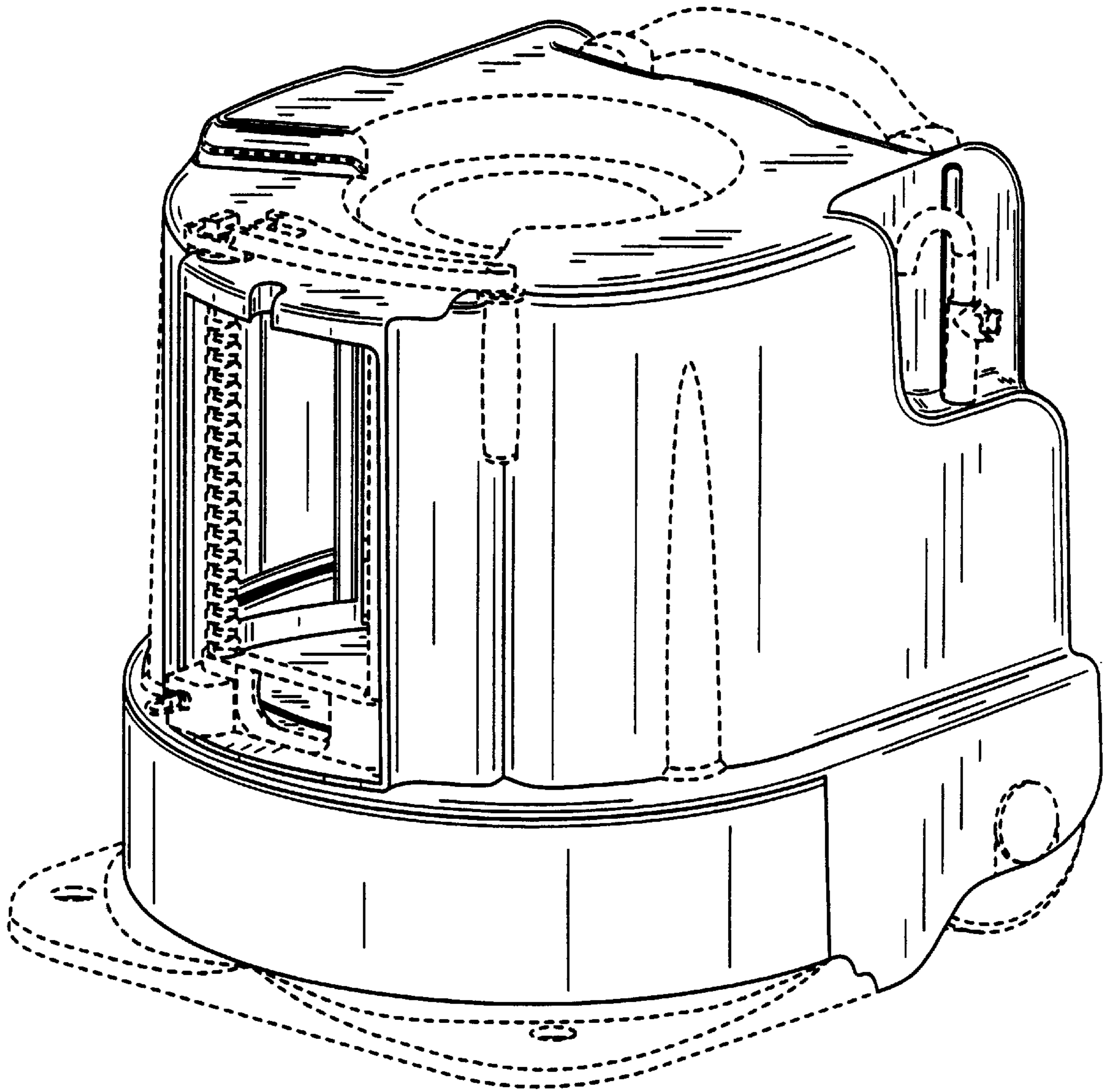


FIG. 1

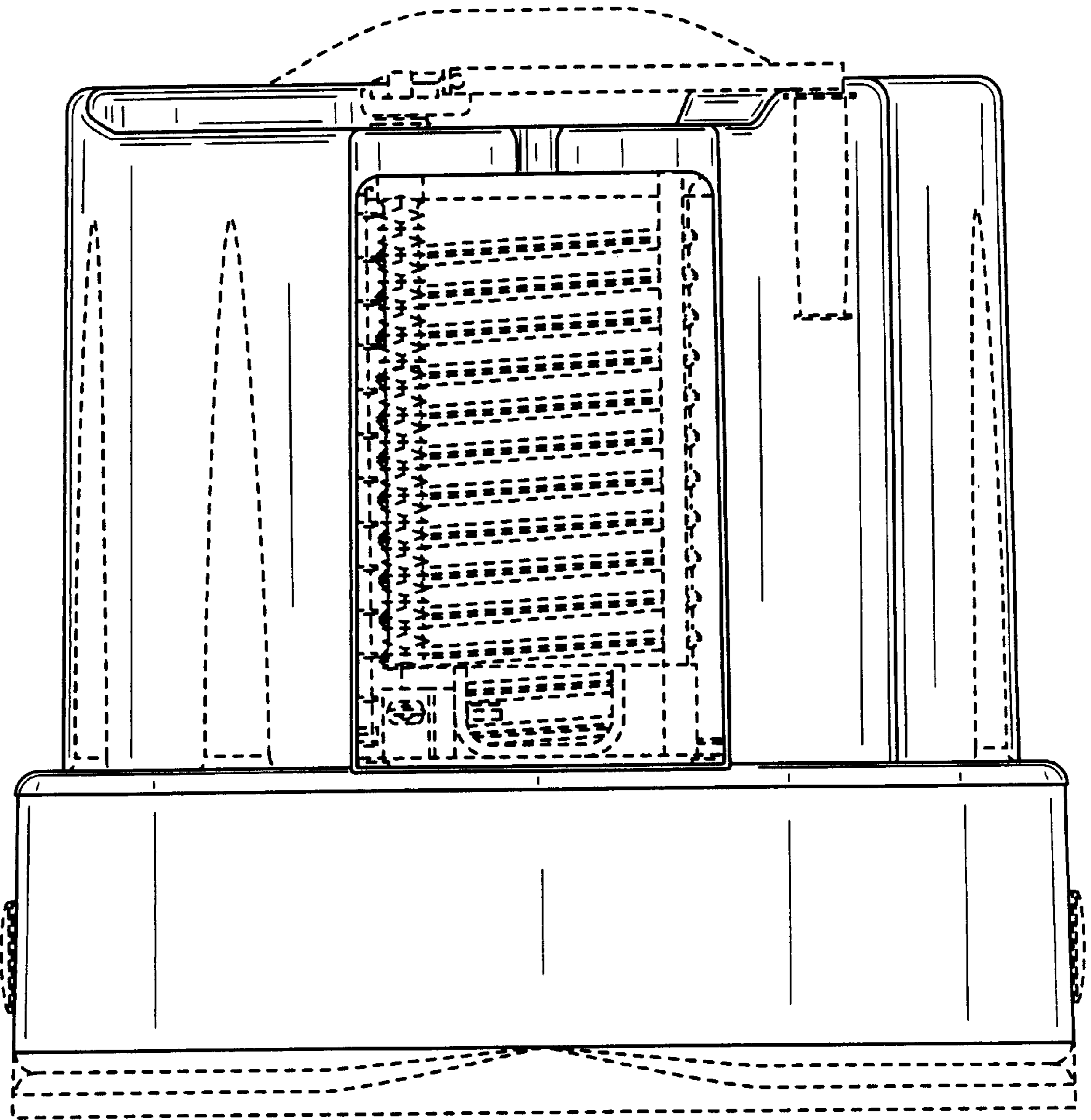


FIG. 2

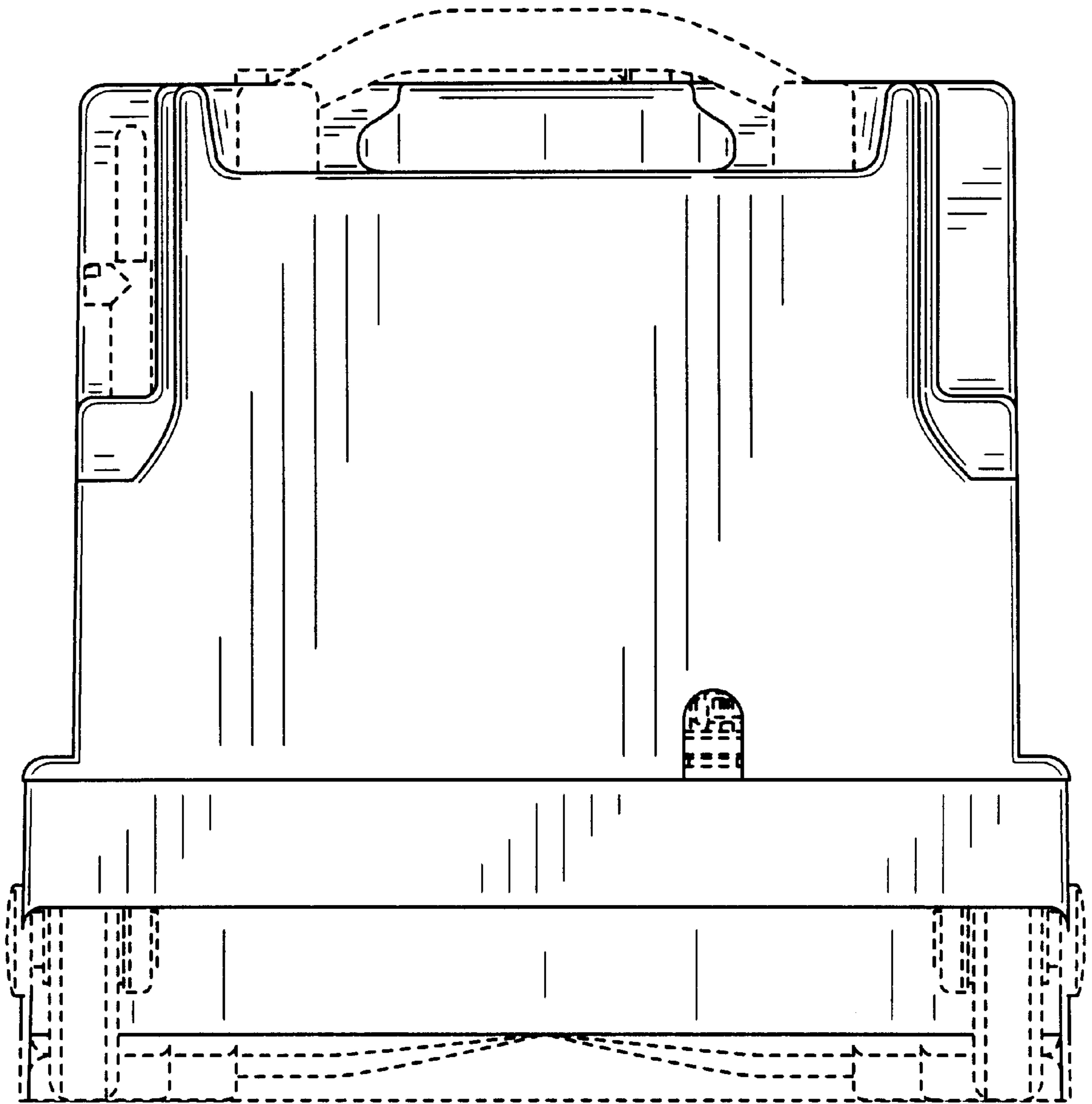


FIG. 3

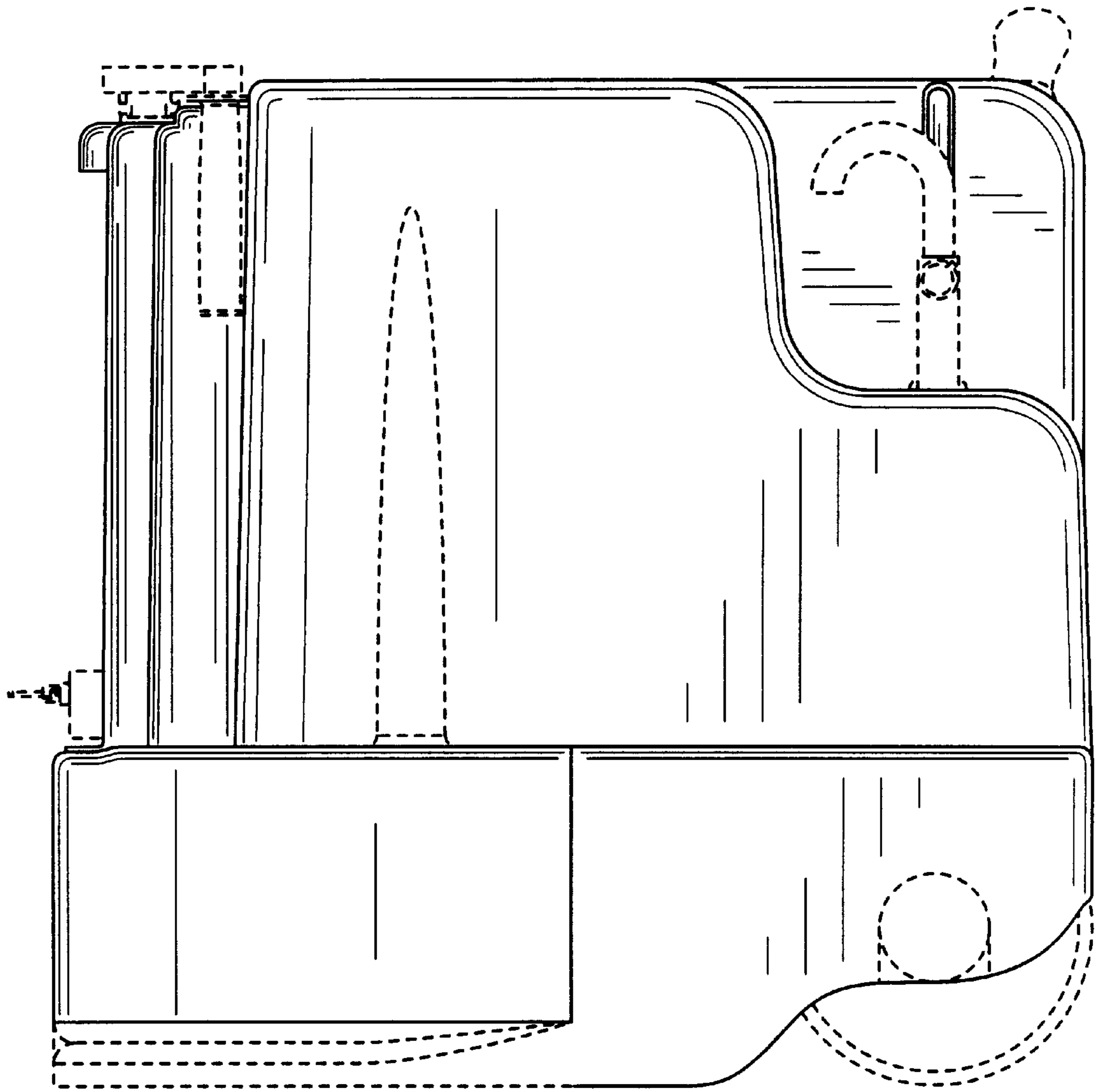


FIG. 4

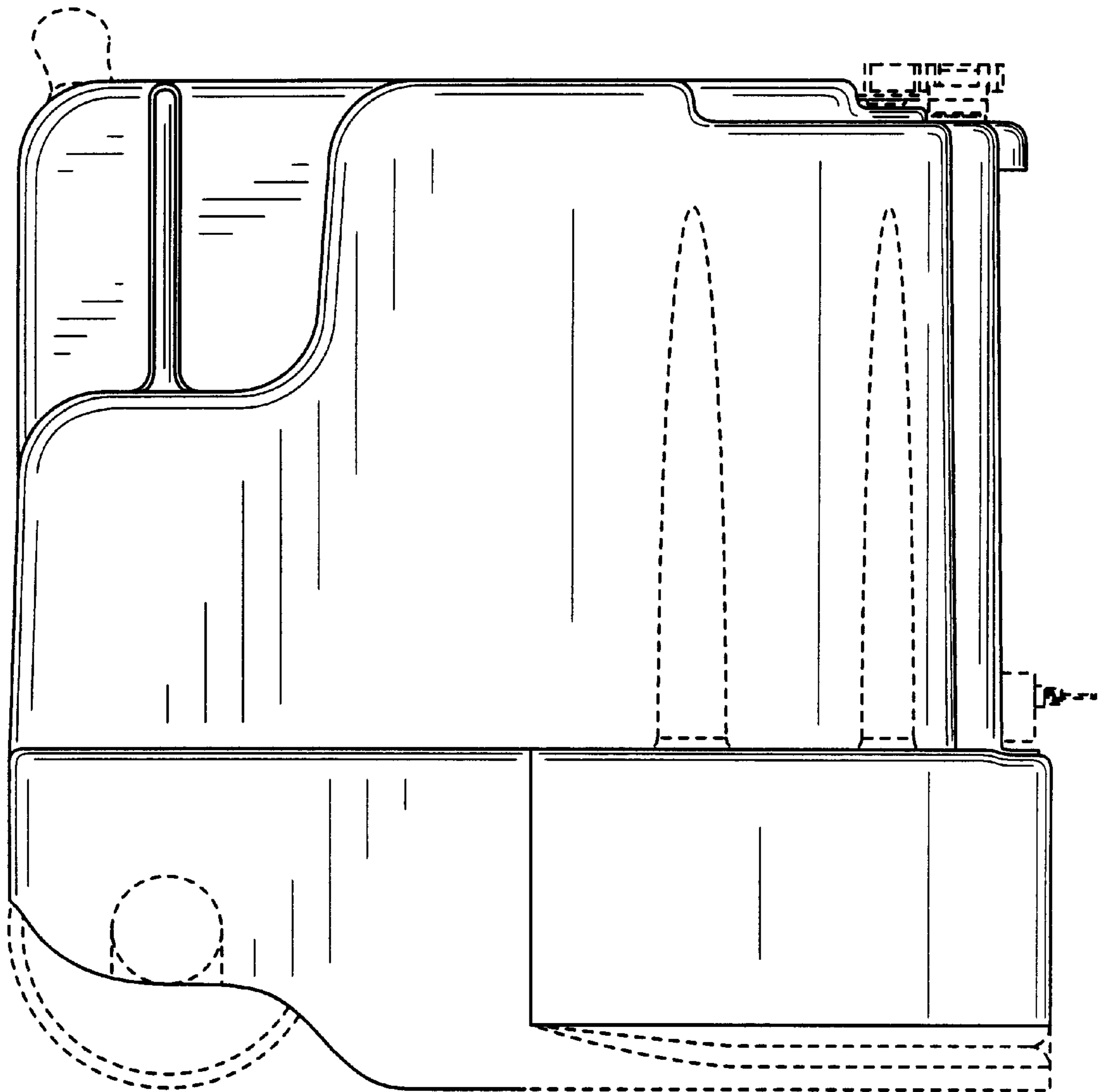


FIG. 5

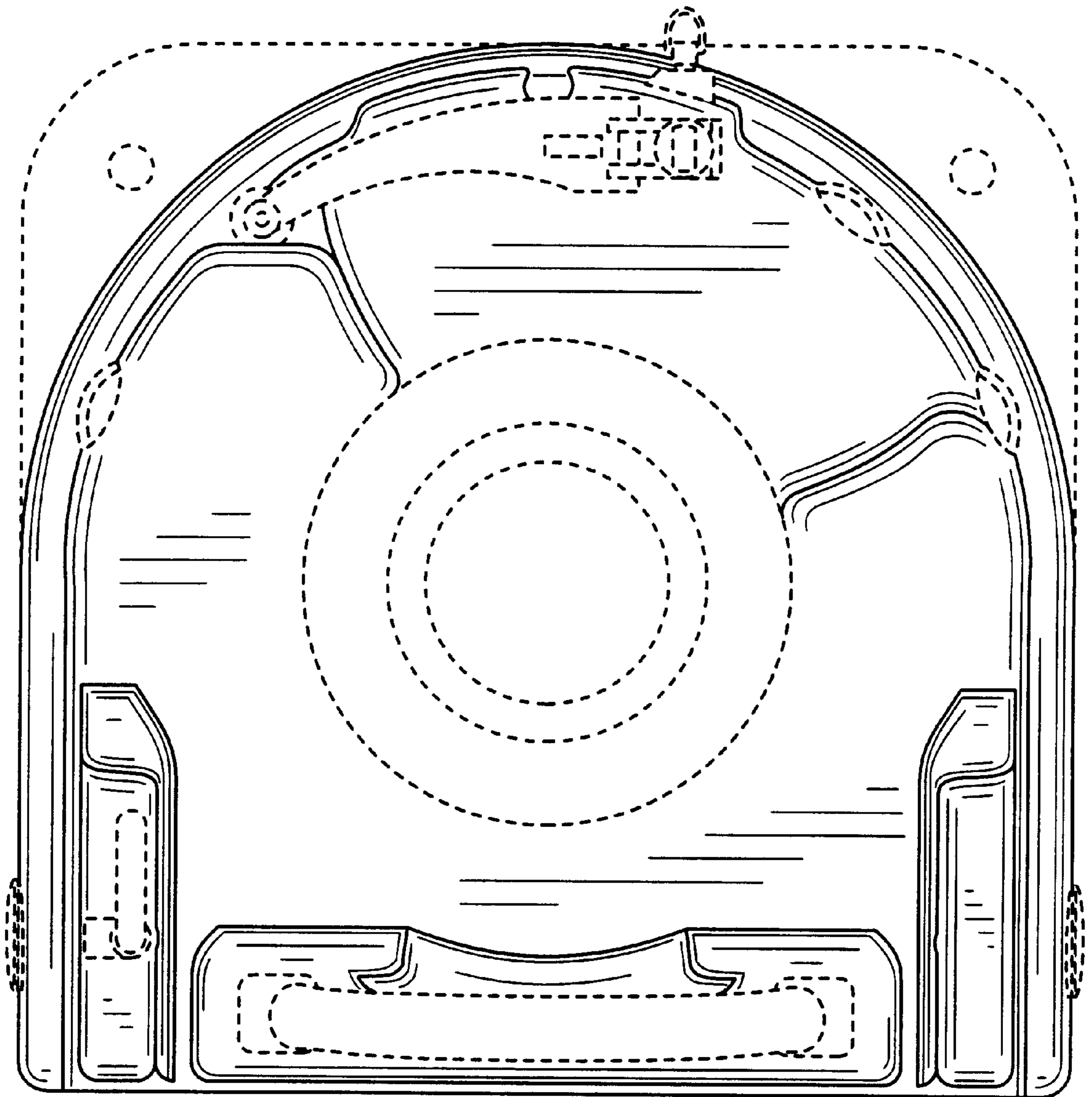


FIG. 6

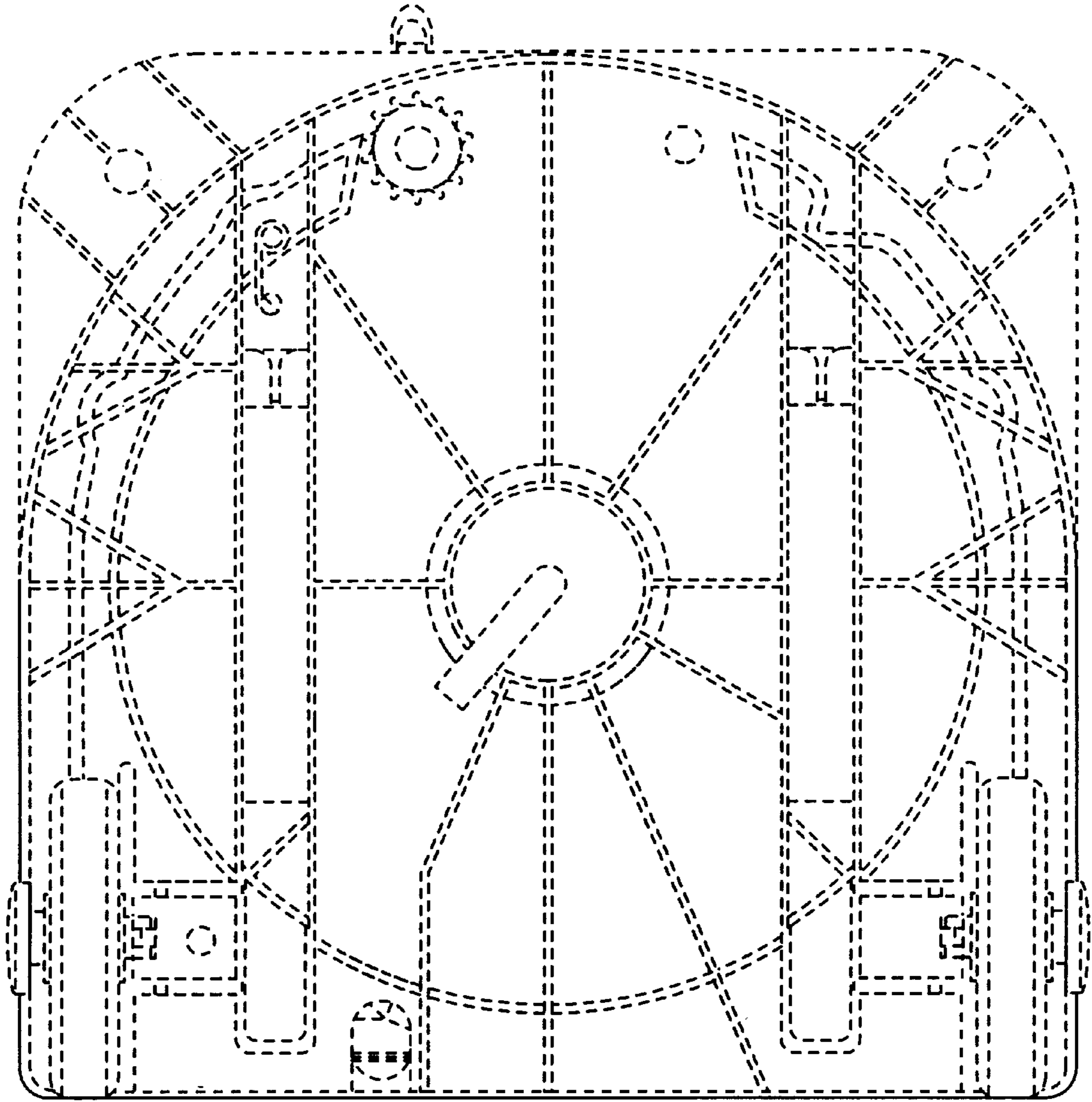


FIG. 7