



US00D410374S

United States Patent [19]
Meurer

[11] **Patent Number: Des. 410,374**

[45] **Date of Patent: ** Jun. 1, 1999**

[54] **TOOL SUPPORT**

Attorney, Agent, or Firm—McHale & Slavin PA

[76] Inventor: **John Meurer**, P.O. Box 12625, Lake Park, Fla. 33403

[57] **CLAIM**

[**] Term: **14 Years**

The ornamental design for a tool support, as shown and described.

[21] Appl. No.: **29/093,650**

[22] Filed: **Sep. 15, 1998**

DESCRIPTION

[51] **LOC (6) Cl.** **09-09**

[52] **U.S. Cl.** **D8/349**

[58] **Field of Search** D8/71, 354, 349, D8/366; 211/70.6; 248/300, 200; 224/677

FIG. 1 is a front plane view of the tool support;

FIG. 2 is a right end view of said tool support;

FIG. 3 is a left end view of said tool support;

FIG. 4 is a top plan view of said tool support, the bottom plan view of said tool support is identical and not shown; and,

FIG. 5 is a rear plane view of the tool support.

[56] **References Cited**

U.S. PATENT DOCUMENTS

D. 260,419 8/1981 Oates D8/366 X

OTHER PUBLICATIONS

Grammes Catalog, p. 33, paper box clip, item no. 13929, circled in center of page, Apr. 1941.

Primary Examiner—Holly Baynham

1 Claim, 2 Drawing Sheets

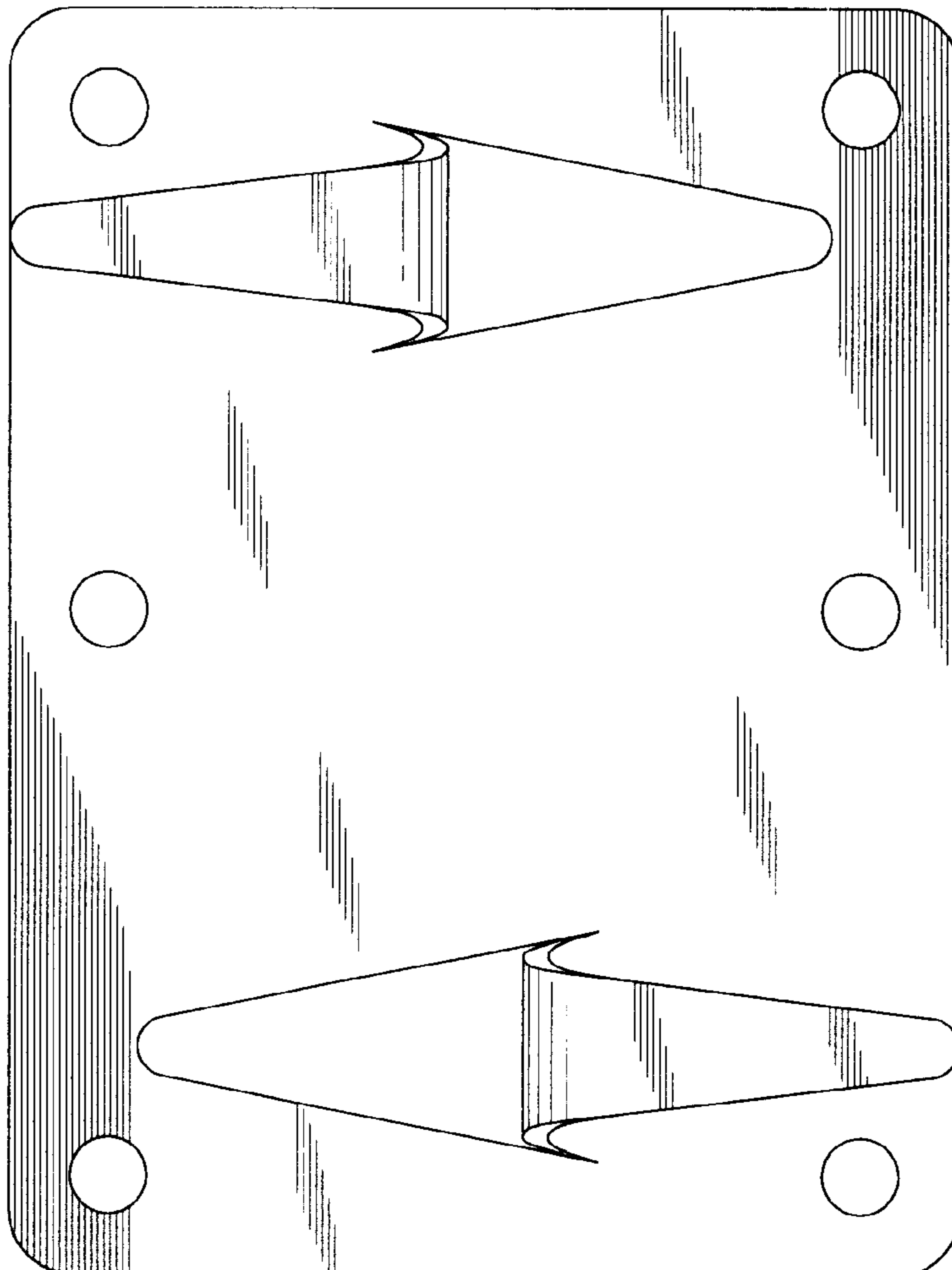


FIG. 1

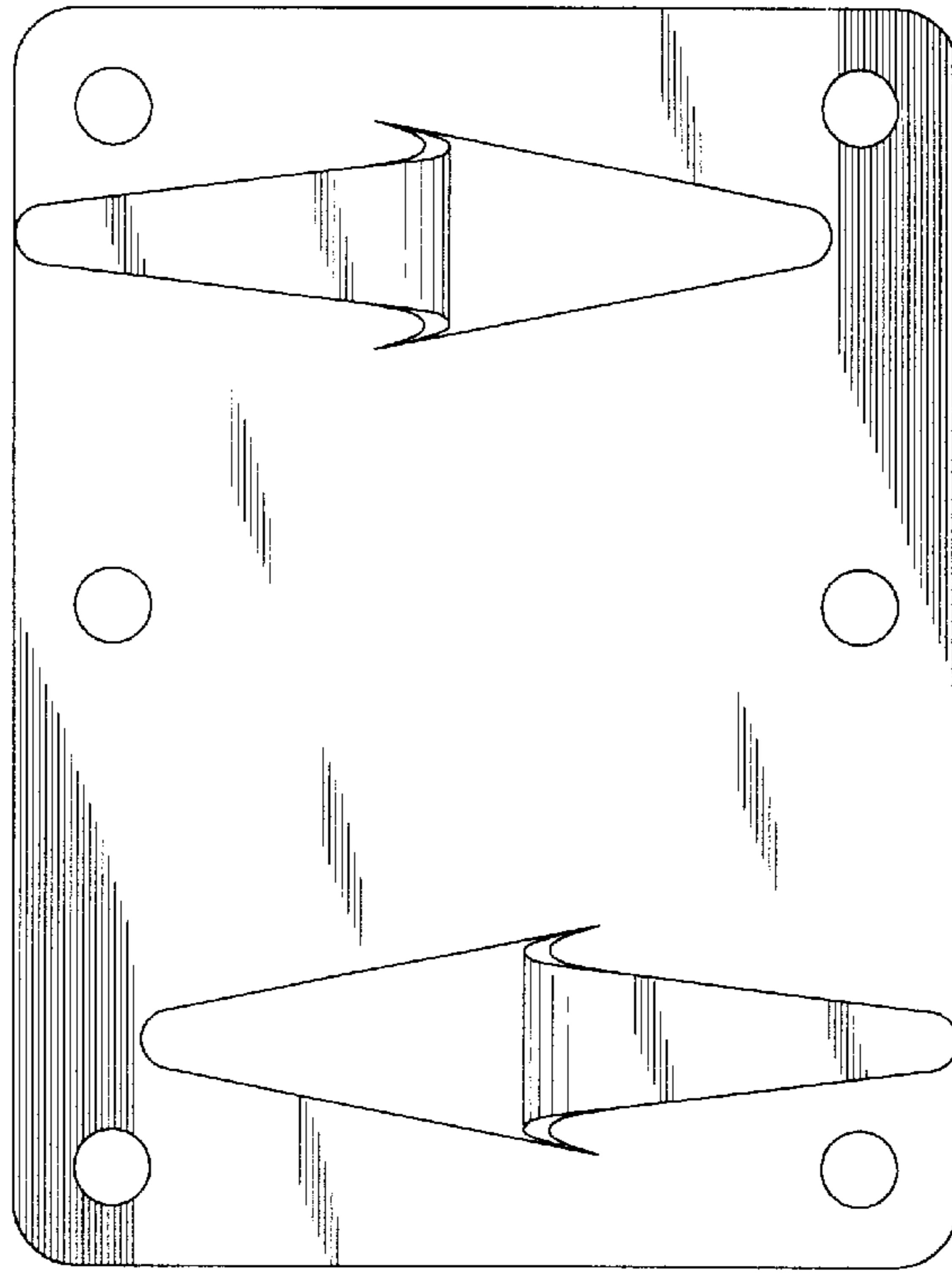


FIG. 5

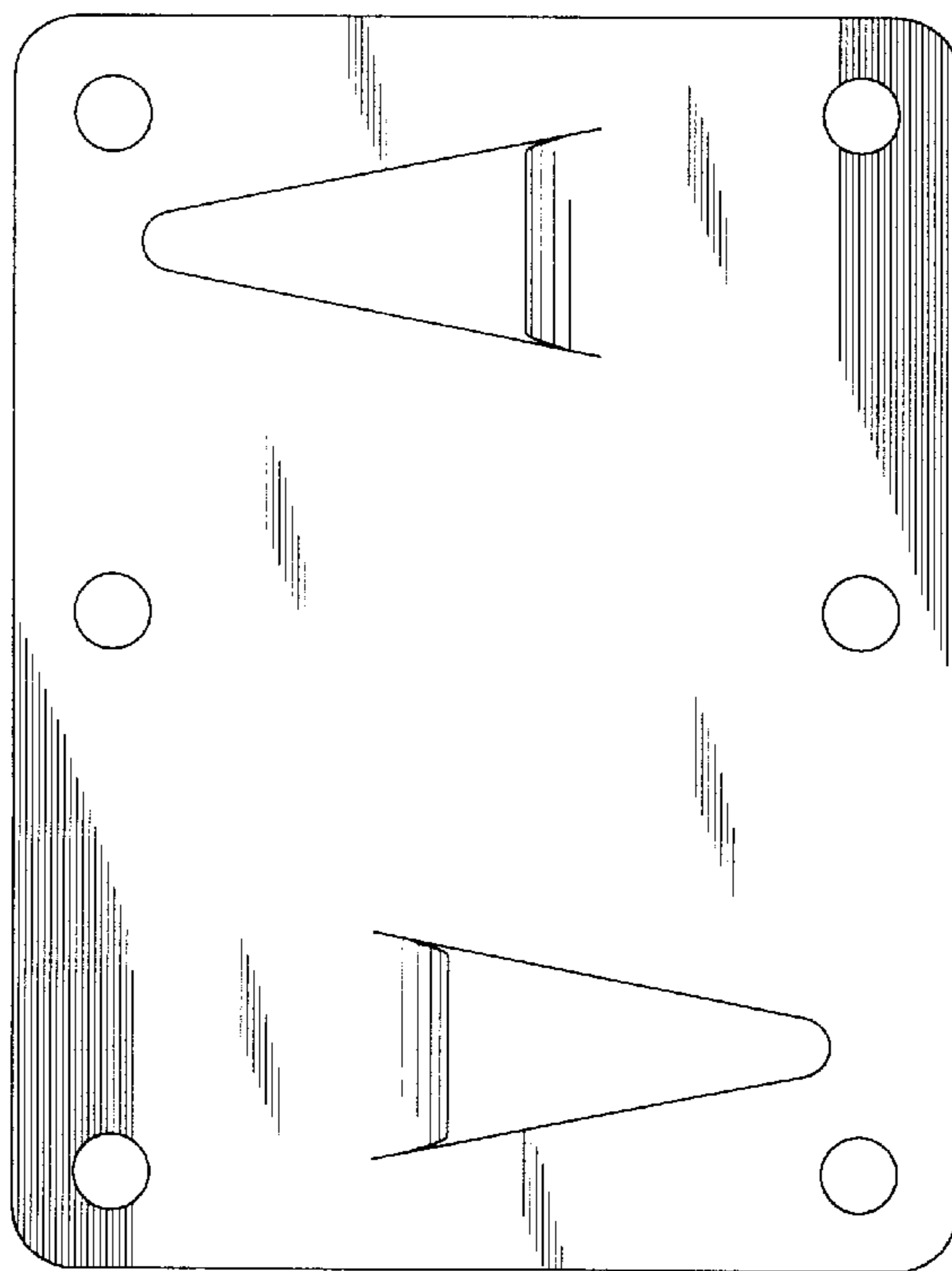


FIG. 2

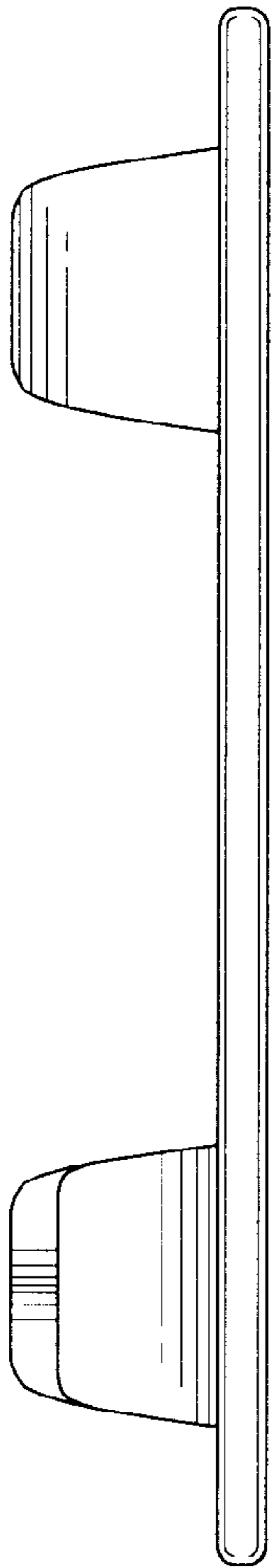


FIG. 3

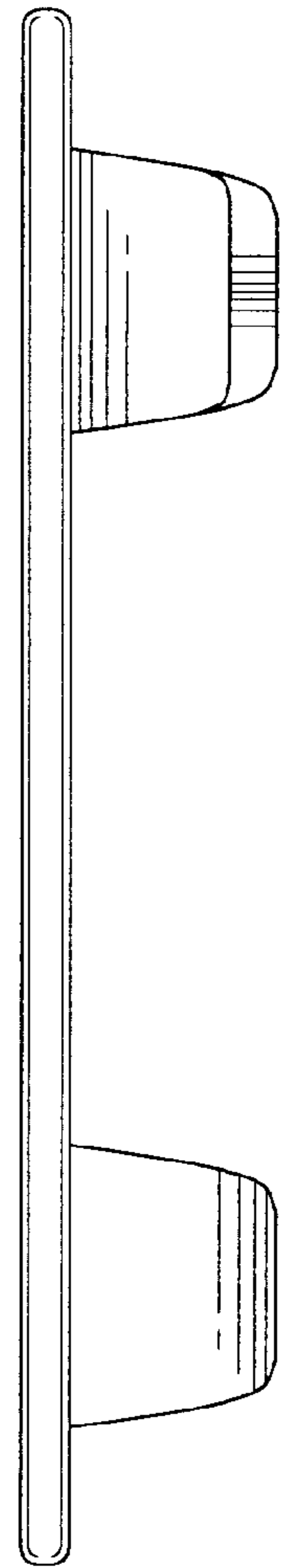


FIG. 4

