



US00D410373S

# United States Patent [19]

Whitaker et al.

[11] Patent Number: **Des. 410,373**

[45] Date of Patent: **\*\* Jun. 1, 1999**

## [54] SUPPORT BRACKET

[75] Inventors: **Richard Jeffrey Whitaker**, Guernsey;  
**Alan Michael George Meeks**,  
Hampshire, both of United Kingdom

[73] Assignee: **Commercial Brains Limited**, United  
Kingdom

[\*\*] Term: **14 Years**

[21] Appl. No.: **29/072,354**

[22] Filed: **Jun. 13, 1997**

### [30] Foreign Application Priority Data

Dec. 14, 1996 [GB] United Kingdom ..... 2061787

[51] LOC (6) Cl. .... **08-05**

[52] U.S. Cl. .... **D8/349**

[58] Field of Search ..... D8/349, 354; 248/300,  
248/309.1, 317, 324, 327

### [56] References Cited

#### U.S. PATENT DOCUMENTS

D. 385,280 10/1997 Vogels ..... D8/354 X

*Primary Examiner*—Holly Baynham  
*Attorney, Agent, or Firm*—Rudnick & Wolfe

## [57] CLAIM

The ornamental design for a support bracket, as shown and described.

## DESCRIPTION

FIG. 1 is a top, right side, rear perspective view of a support bracket showing our new design;

FIG. 2 is a top, left side, front perspective view thereof;

FIG. 3 is a right side front perspective view thereof;

FIG. 4 is a bottom, left side, front perspective view thereof;

FIG. 5 is a left side elevational view thereof and with the right side elevational view being a mirror image thereof; and,

FIG. 6 is a bottom plan view thereof.

**1 Claim, 6 Drawing Sheets**

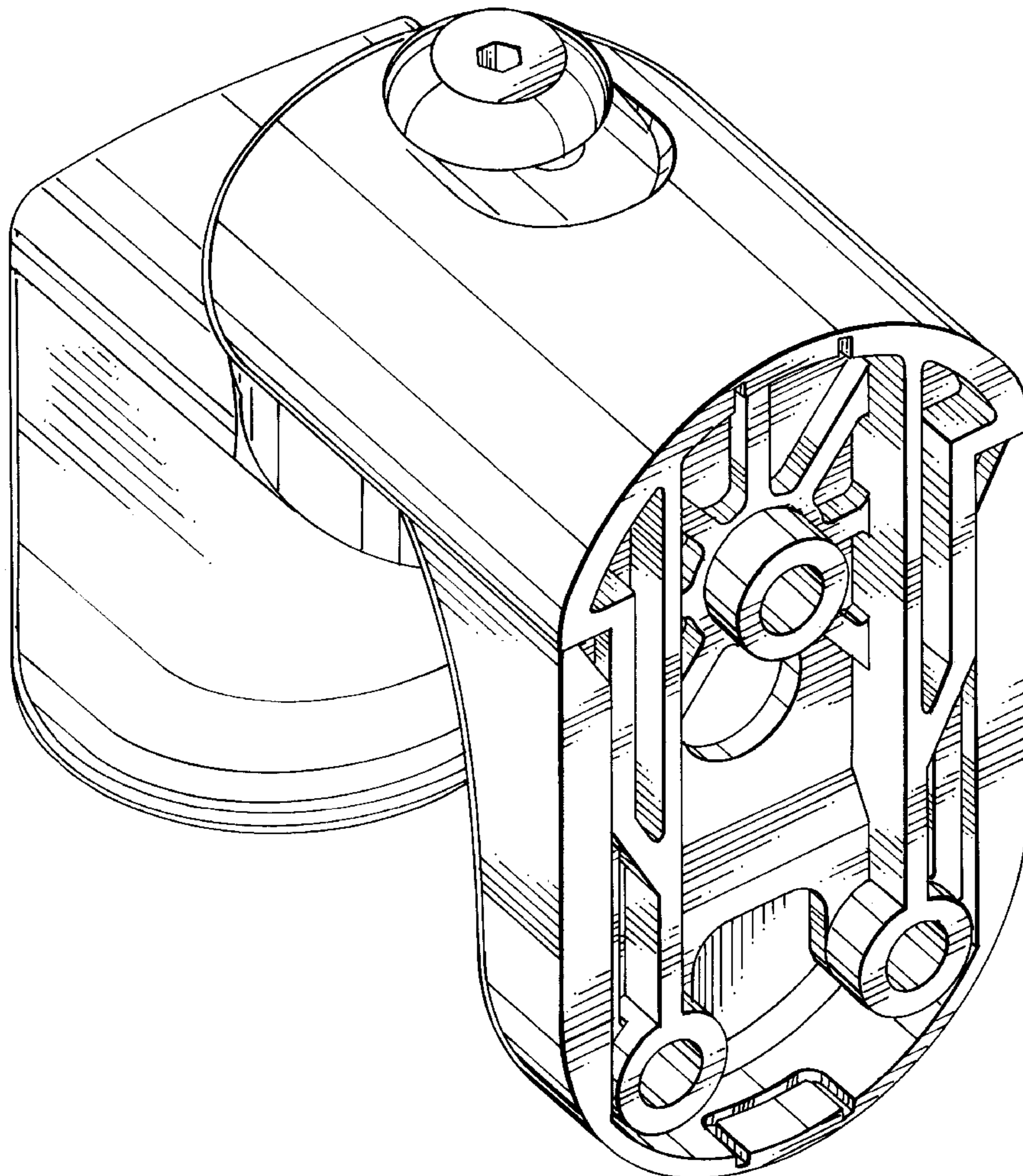


FIG. 1

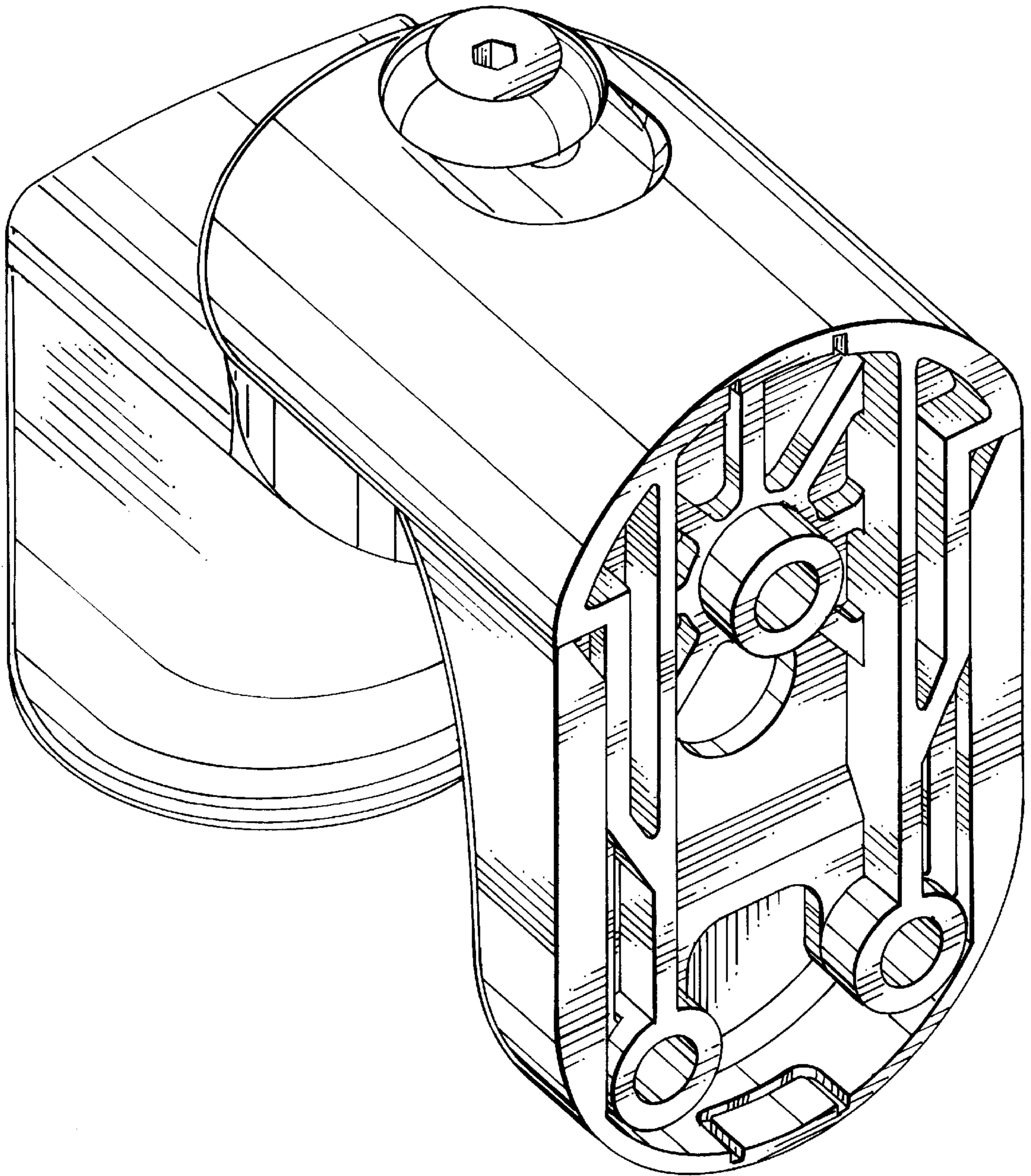


FIG. 2

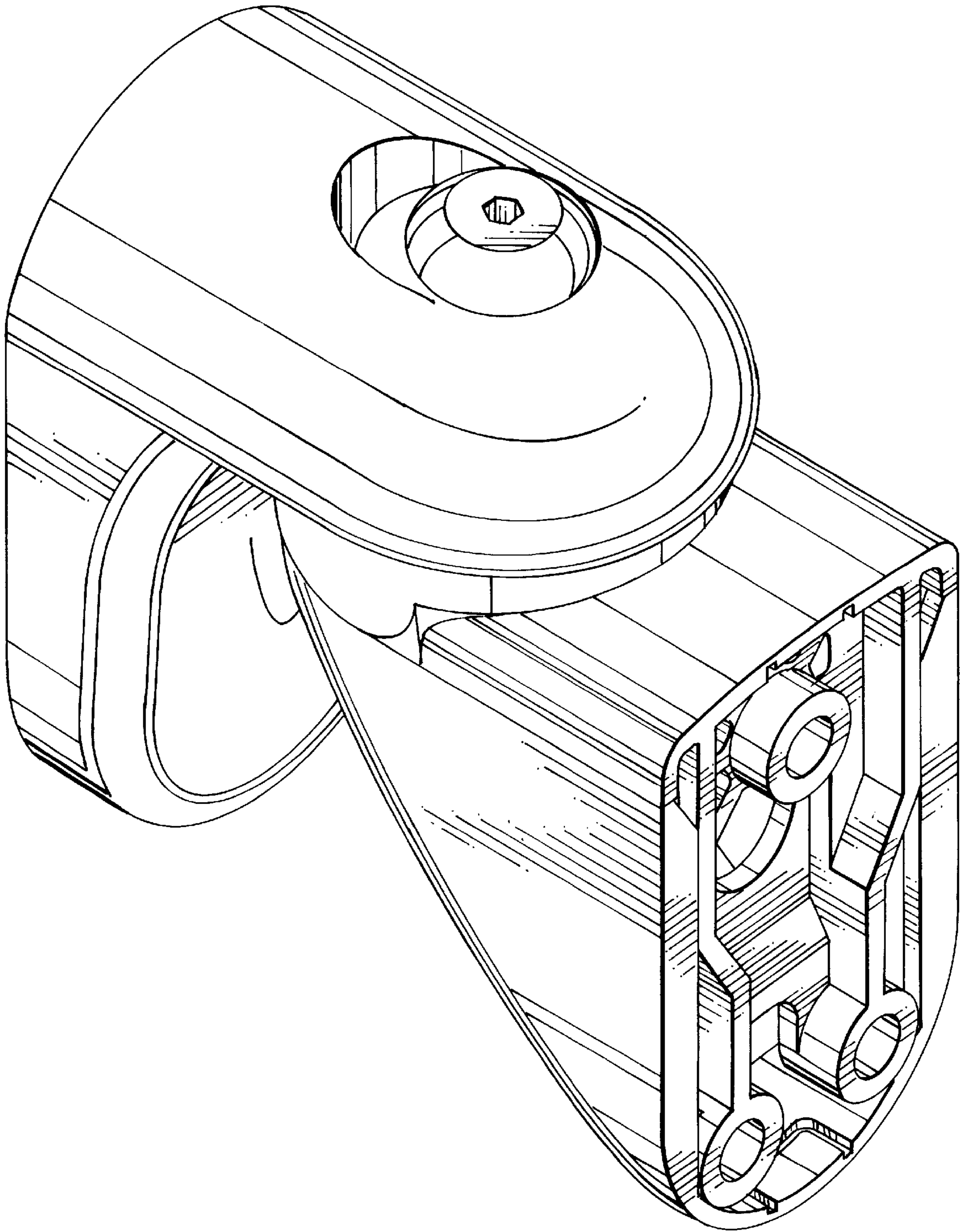


FIG. 3

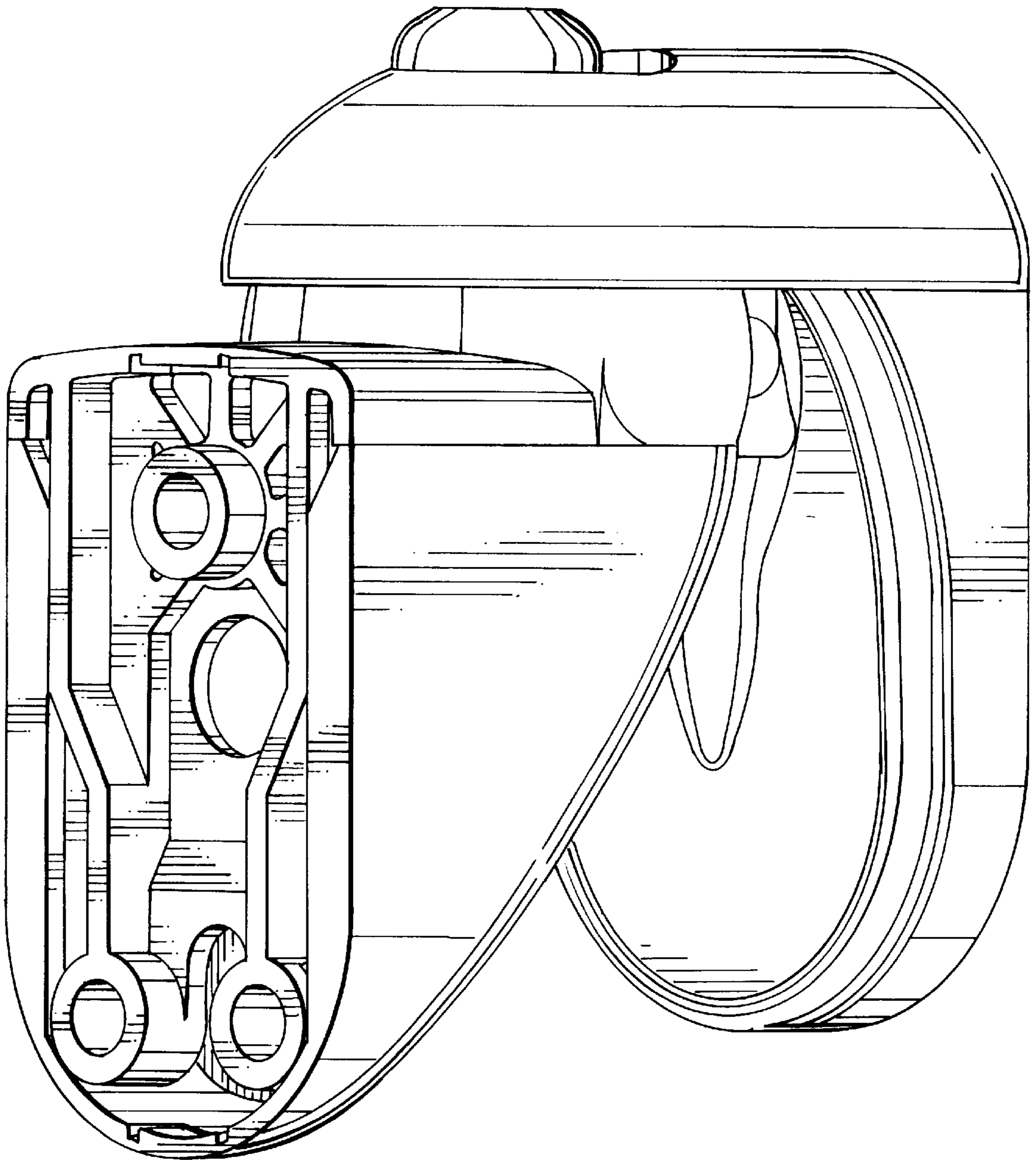


FIG. 4

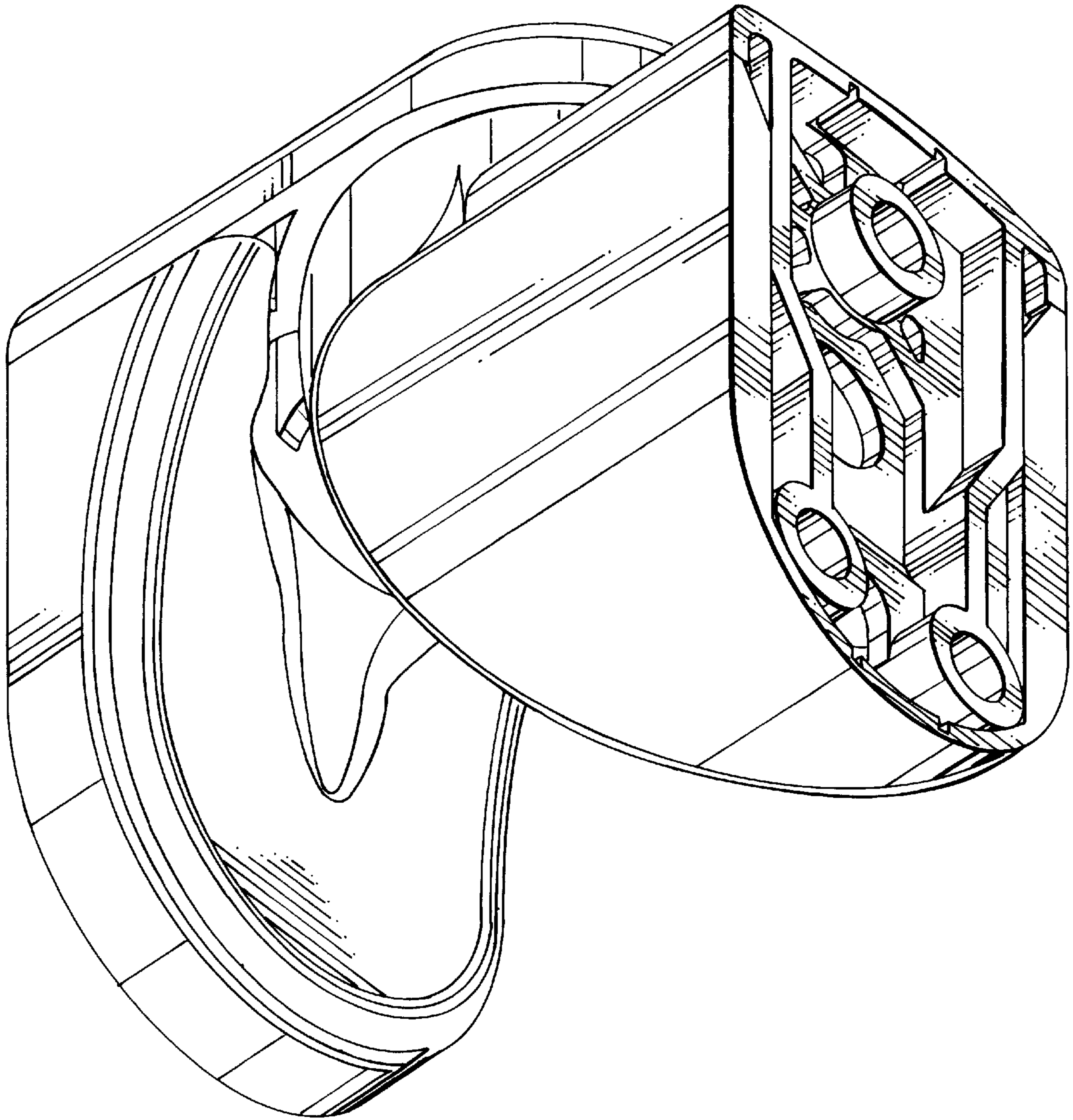


FIG. 5

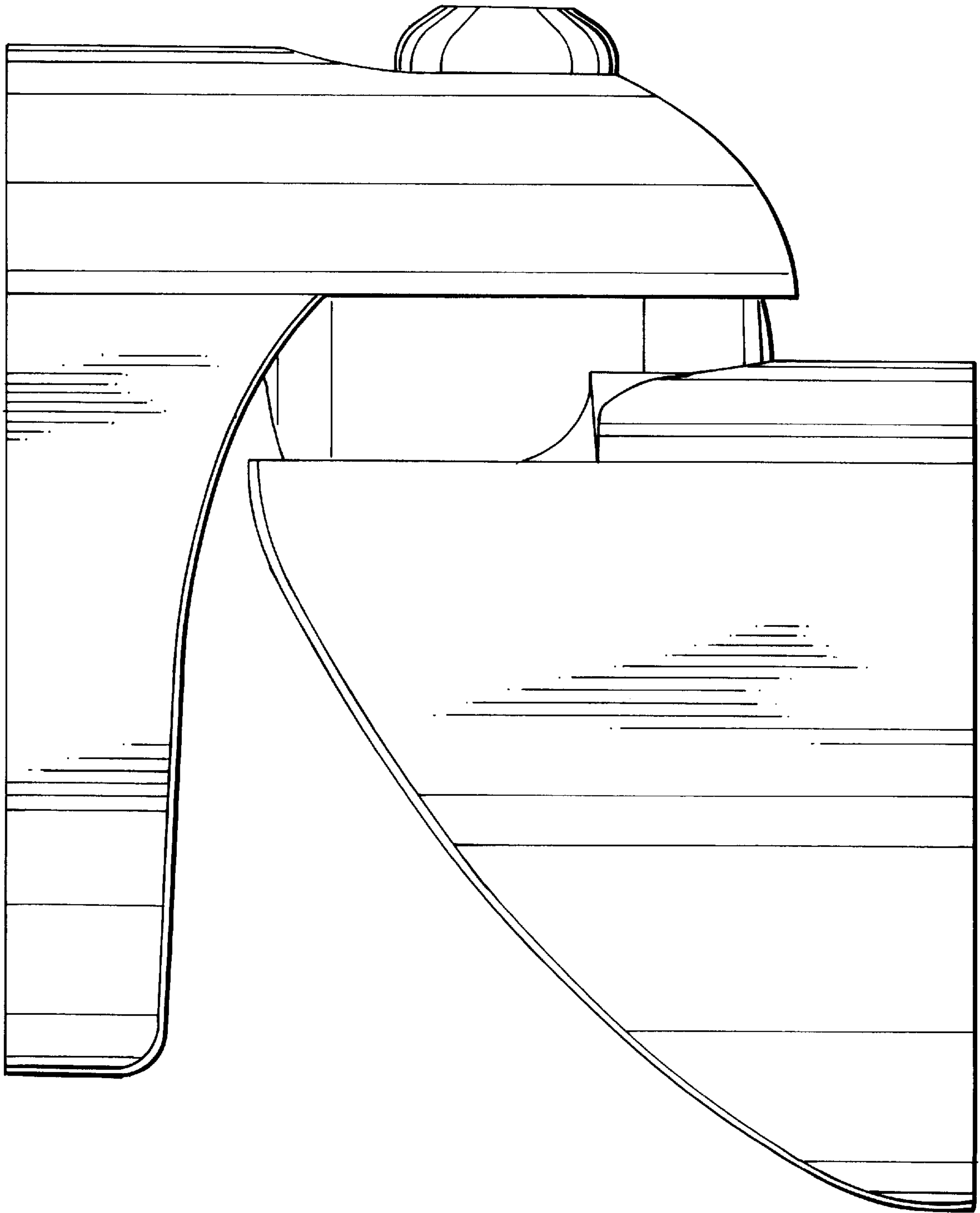


FIG. 6

