



US00D410366S

United States Patent [19]

Chiasson

[11] Patent Number: Des. 410,366

[45] Date of Patent: ** Jun. 1, 1999

[54] PUMPKIN SLICER

[76] Inventor: Ernest T. Chiasson, P.O. Box 132,
Dalhousie, New Brunswick, Canada,
E0K 1B0

[**] Term: 14 Years

[21] Appl. No.: 29/095,561

[22] Filed: Oct. 26, 1998

[51] LOC (6) Cl. 07-04

[52] U.S. Cl. D7/673

[58] Field of Search D7/673, 649; 83/761-768,
83/870, 454; 269/87.2, 295

[56] References Cited

U.S. PATENT DOCUMENTS

D. 369,725 5/1996 Lansdowne D7/673
3,971,273 7/1976 Peters et al. 83/762

Primary Examiner—Mitchell I Siegel
Attorney, Agent, or Firm—Mario D. Theriault

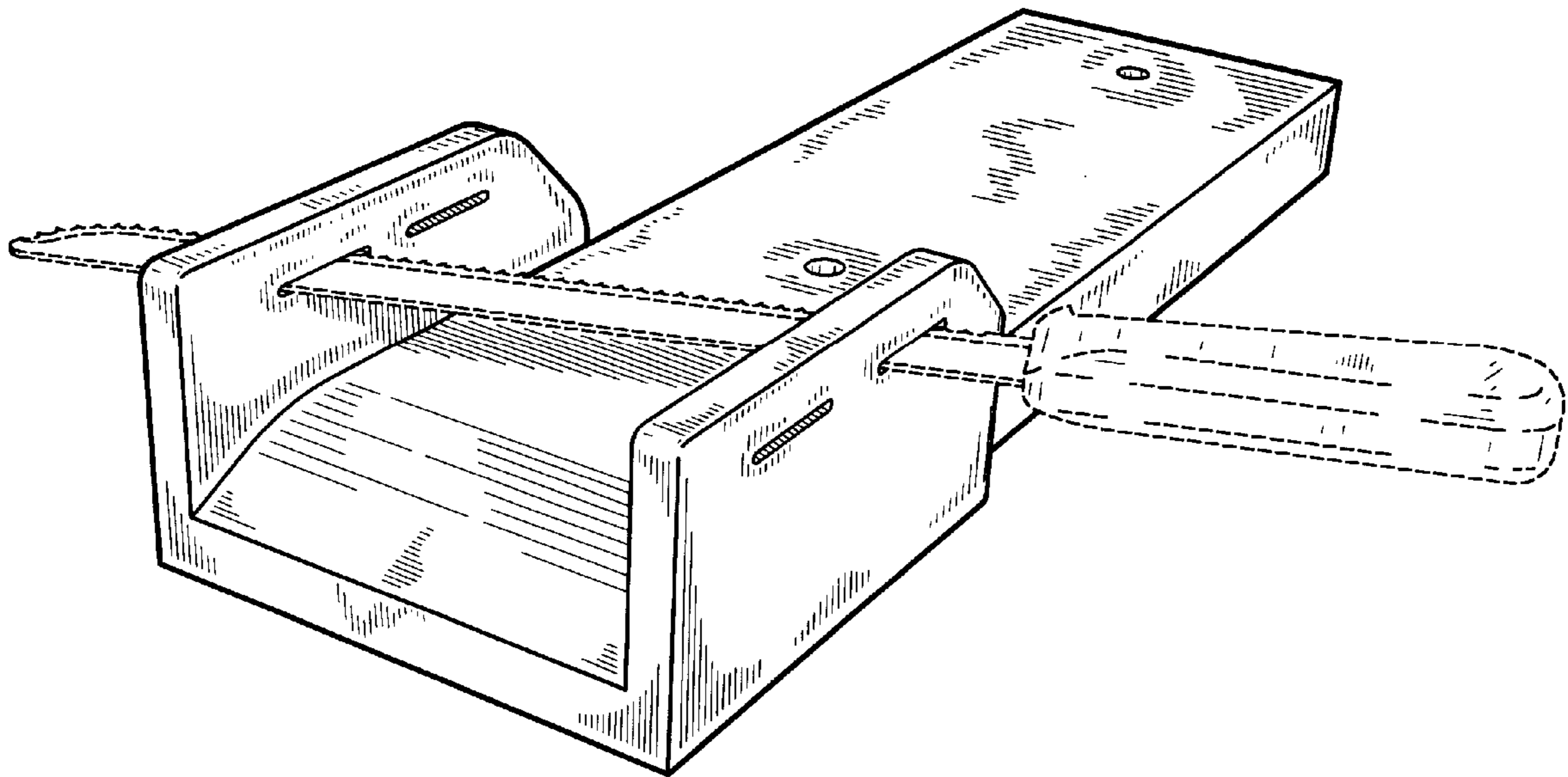
[57] CLAIM

The ornamental design for a pumpkin slicer, as shown and described.

DESCRIPTION

FIG. 1 is a top, right side and front perspective view of a pumpkin slicer showing my new design;
FIG. 2 is a top view thereof;
FIG. 3 is a right side view thereof, the left side view being a mirror image;
FIG. 4 is a bottom view thereof;
FIG. 5 is a front end view thereof; and,
FIG. 6 is a rear end view thereof.
The broken-line disclosure of a knife in the view of FIG. 1 is for illustrative purposes only and forms no part of the claimed design. FIG. 1 shows the article in use.

1 Claim, 2 Drawing Sheets



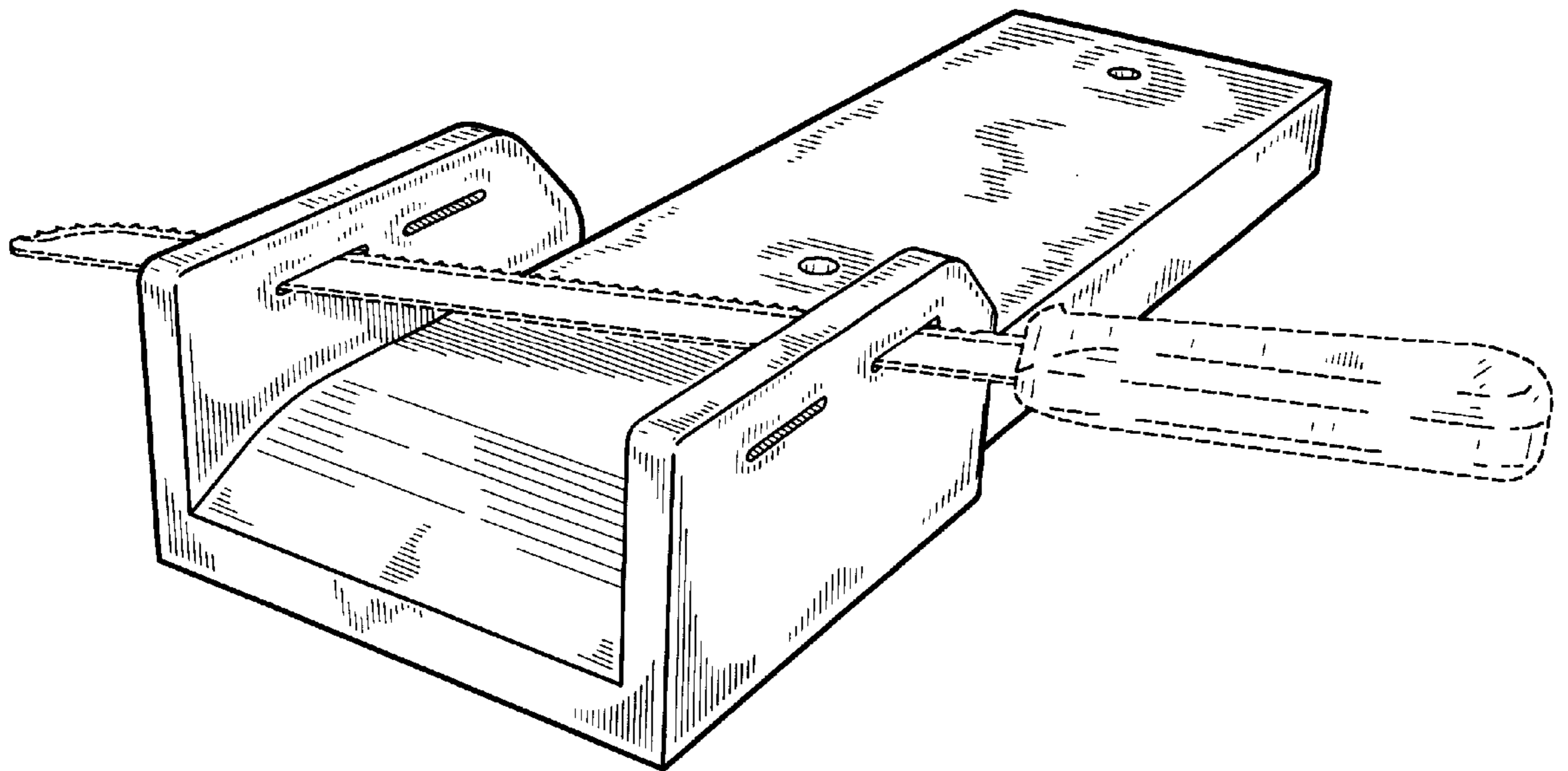


FIG. 1

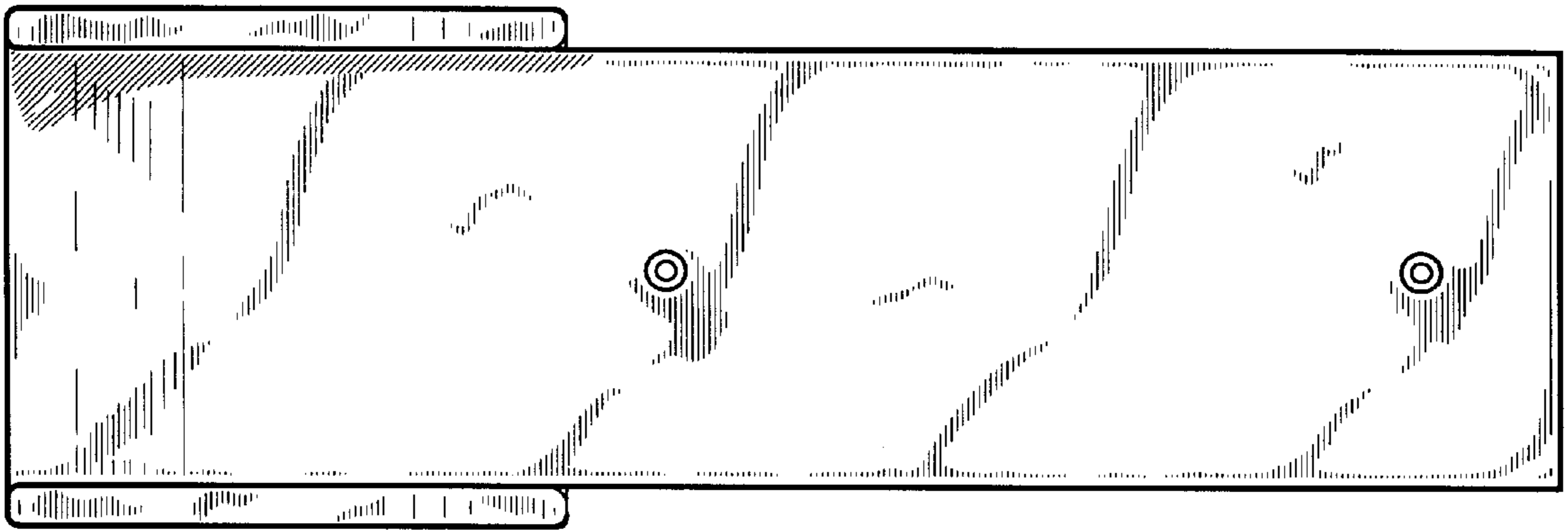


FIG. 2

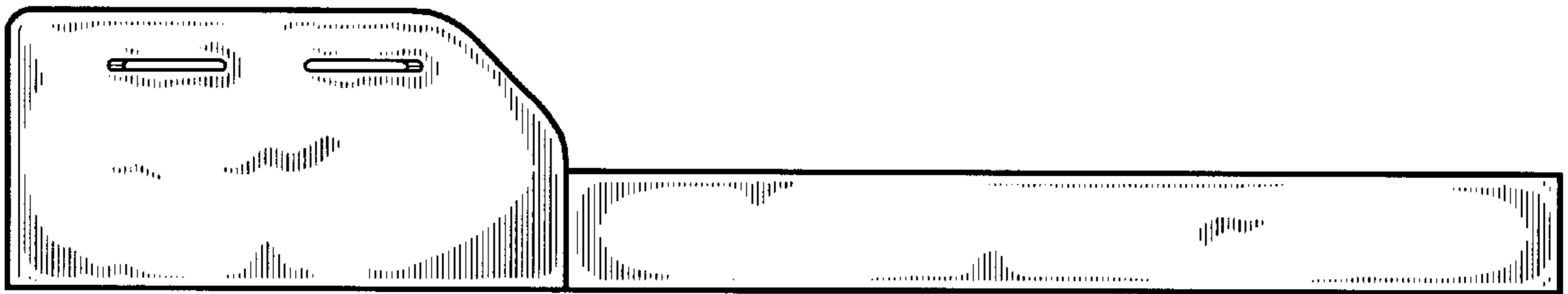


FIG. 3

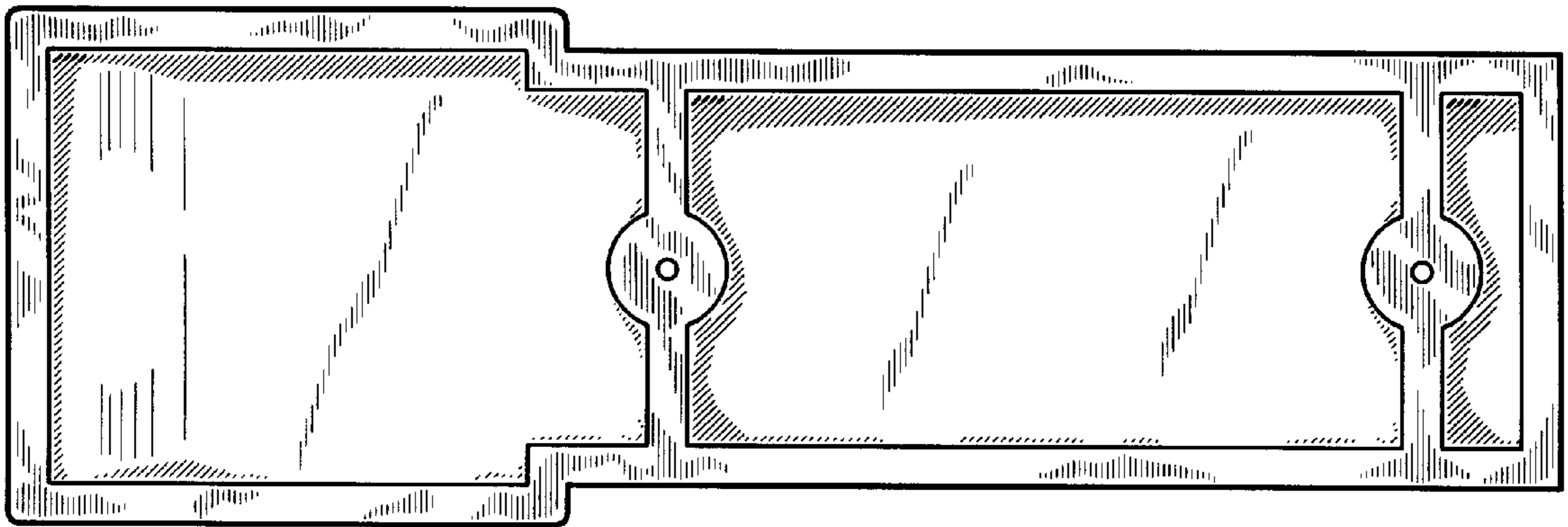


FIG. 4

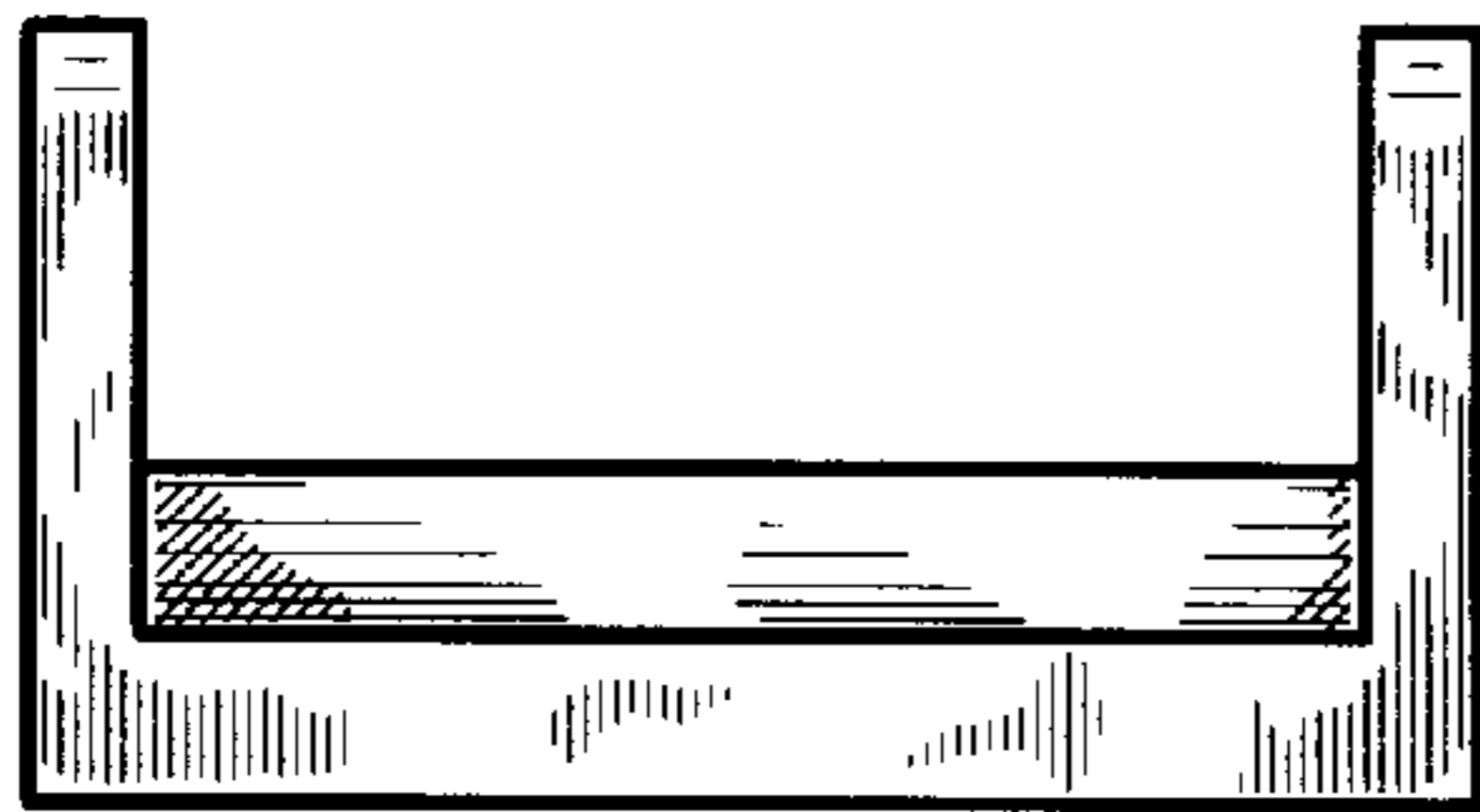


FIG. 5

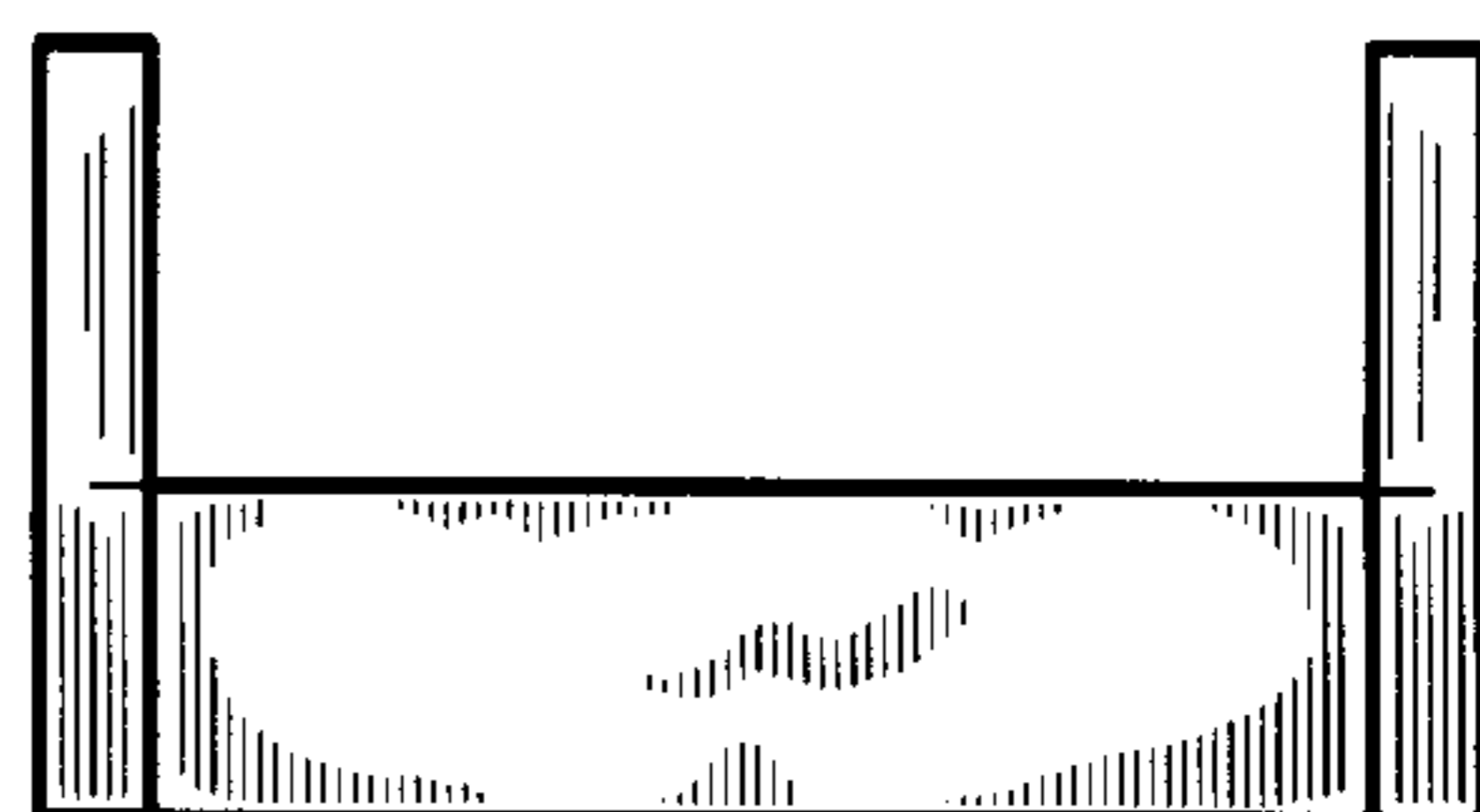


FIG. 6