



US00D410364S

# United States Patent [19]

[11] Patent Number: **Des. 410,364**

Ramirez et al.

[45] Date of Patent: **\*\* Jun. 1, 1999**

[54] **CONVERTIBLE TRAVEL CUP AND BOTTLE**

2,328,543	9/1943	Bauman	.....	D7/507 X
3,327,895	6/1967	Mueller	.....	D7/507 X
4,052,037	10/1977	Mair et al.	.....	D7/523 X

[75] Inventors: **Frankie Ramirez; Chris Gielow; Ann Marie Conrado**, all of Chicago; **Craig Scherer**, Wilmette, all of Ill.

*Primary Examiner*—M. N. Pandozzi  
*Attorney, Agent, or Firm*—Wood, Phillips, VanSanten, Clark & Mortimer

[73] Assignee: **The Thermos Company**, Batesville, Miss.

### [57] CLAIM

[\*\*] Term: **14 Years**

The ornamental design of a convertible travel cup and bottle, as shown and described.

[21] Appl. No.: **29/092,113**

### DESCRIPTION

[22] Filed: **Aug. 12, 1998**

[51] **LOC (6) Cl.** ..... **07-00**

[52] **U.S. Cl.** ..... **D7/507; D7/511**

[58] **Field of Search** ..... D7/602, 510, 511,  
D7/523, 507; D9/526, 529, 537, 538; 220/672,  
675, 608

FIG. 1 is a side elevation of the bottle components in a nested configuration;  
 FIG. 2 is a plan view of the bottle components;  
 FIG. 3 is a perspective view of the bottle components in a nested configuration and taken from above the bottle;  
 FIG. 4 is a bottom view of the bottle components in a nested configuration;  
 FIG. 5 is an elevation of the bottle components assembled to form a bottle;  
 FIG. 6 is a bottom view of the bottle components assembled to form a bottle;  
 FIG. 7 is a perspective view of the bottle components assembled to form a bottle and taken from above the bottle;  
 FIG. 8 is a perspective view of the bottle components in a nested configuration and taken from below the bottle; and,  
 FIG. 9 is a perspective view of the bottle components assembled to form a bottle and taken from below the bottle.

### [56] References Cited

#### U.S. PATENT DOCUMENTS

D. 44,931	11/1913	Lorenz	.....	D7/523
D. 262,680	1/1982	Lack et al.	.....	D7/523
D. 262,765	1/1982	Lack et al.	.....	D7/523
D. 322,224	12/1991	Miner	.....	D7/511
D. 332,893	2/1993	Patternson	.....	D7/510
D. 371,304	7/1996	Onneweer	.....	D7/511 X
D. 374,401	10/1996	Behnen, Jr.	.....	D9/452
D. 386,046	11/1997	Bruckner	.....	D7/507
D. 386,644	11/1997	Orrico et al.	.....	D7/511

**1 Claim, 3 Drawing Sheets**

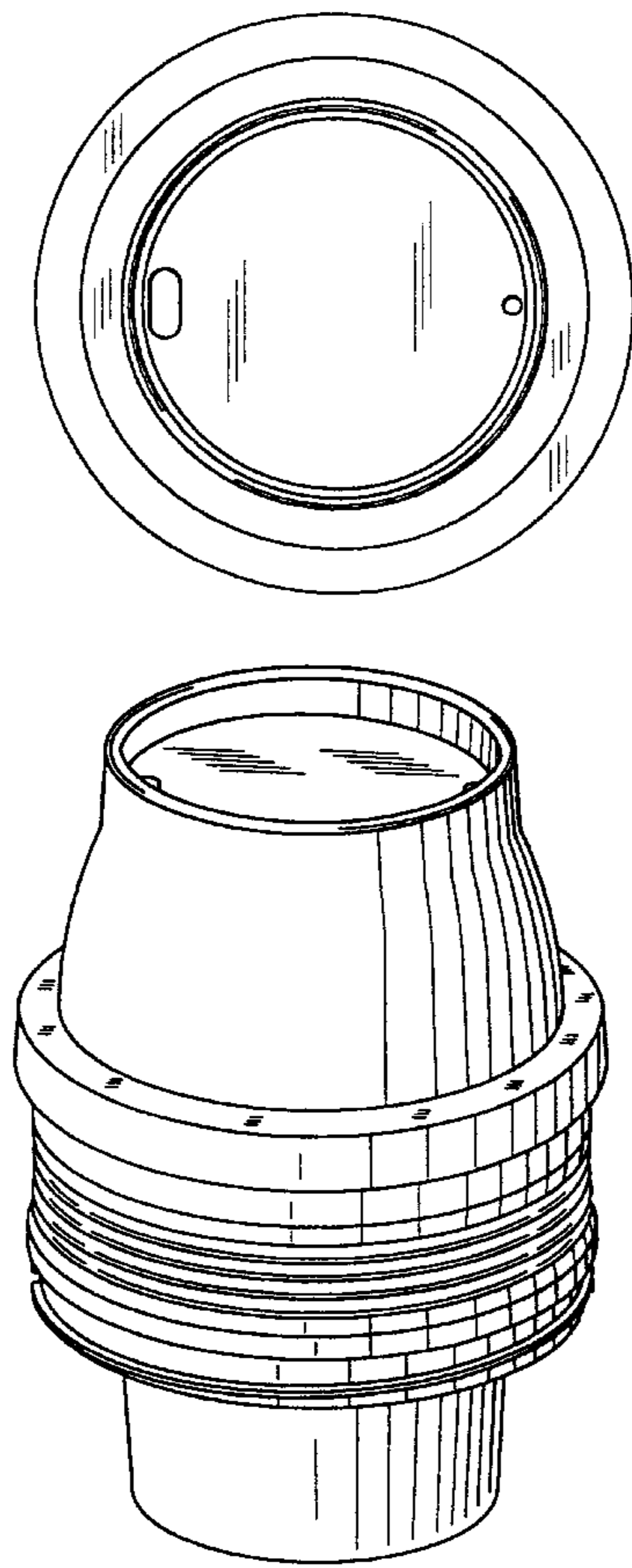


FIG. 1

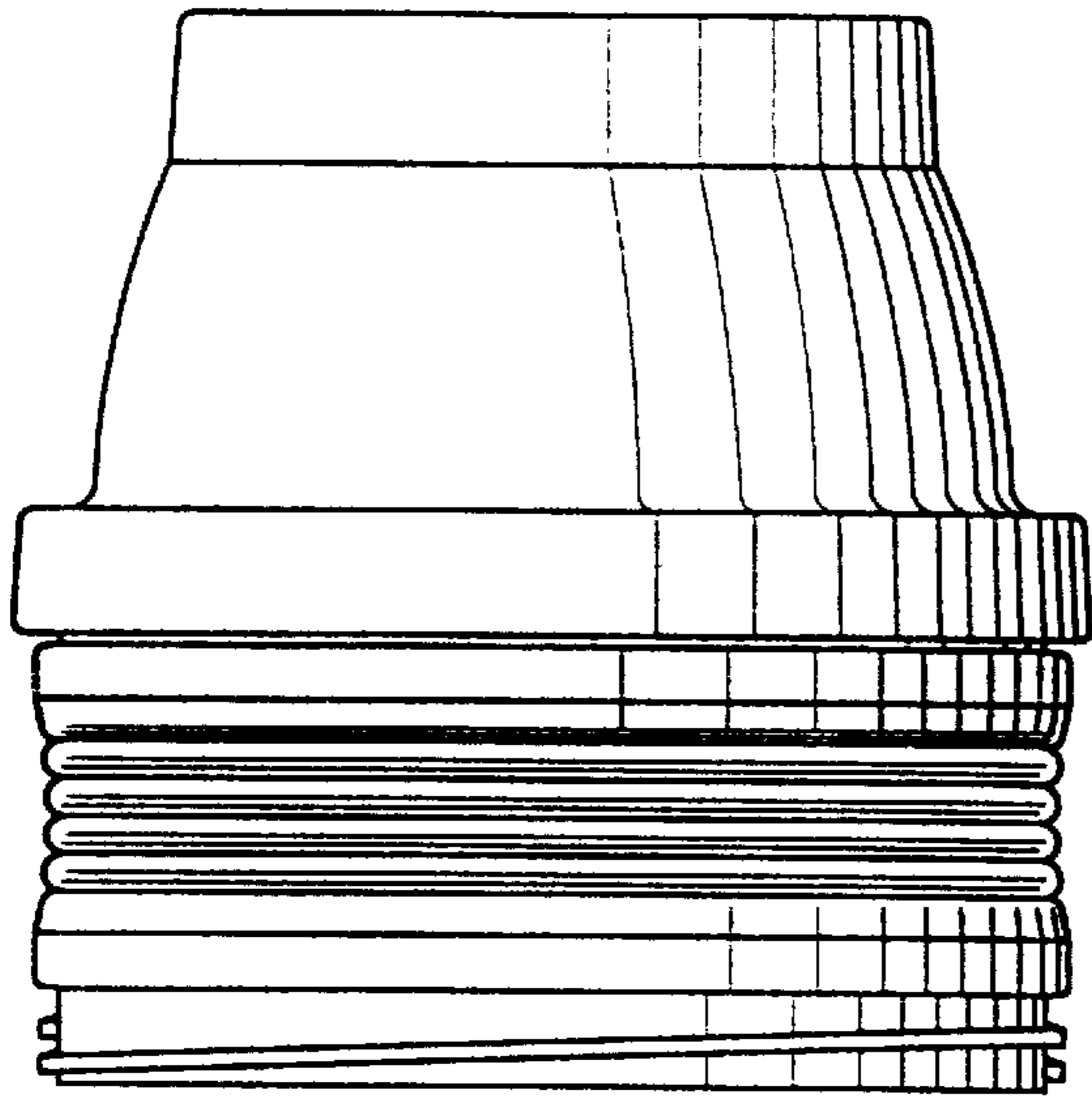


FIG. 3

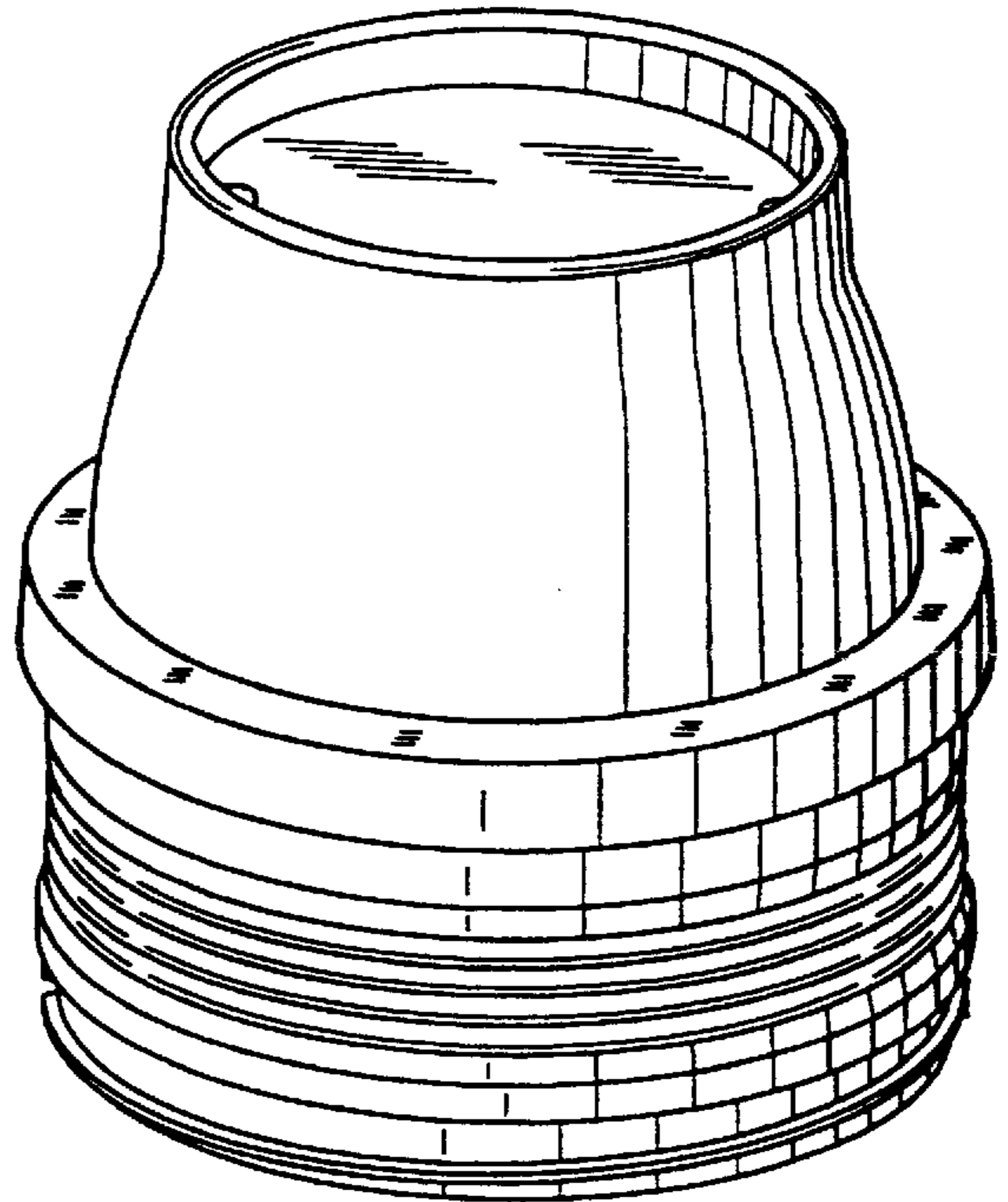


FIG. 2

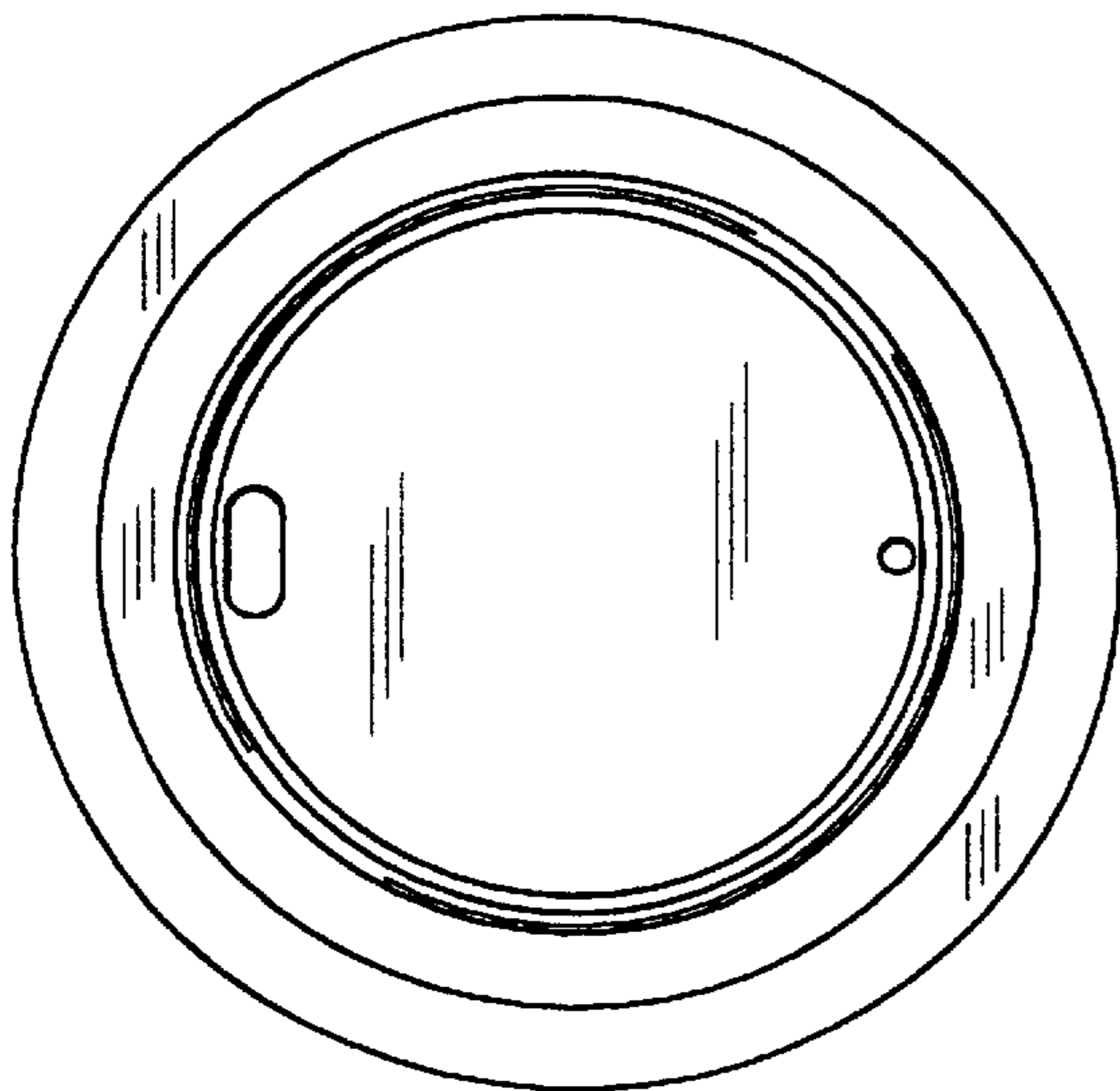
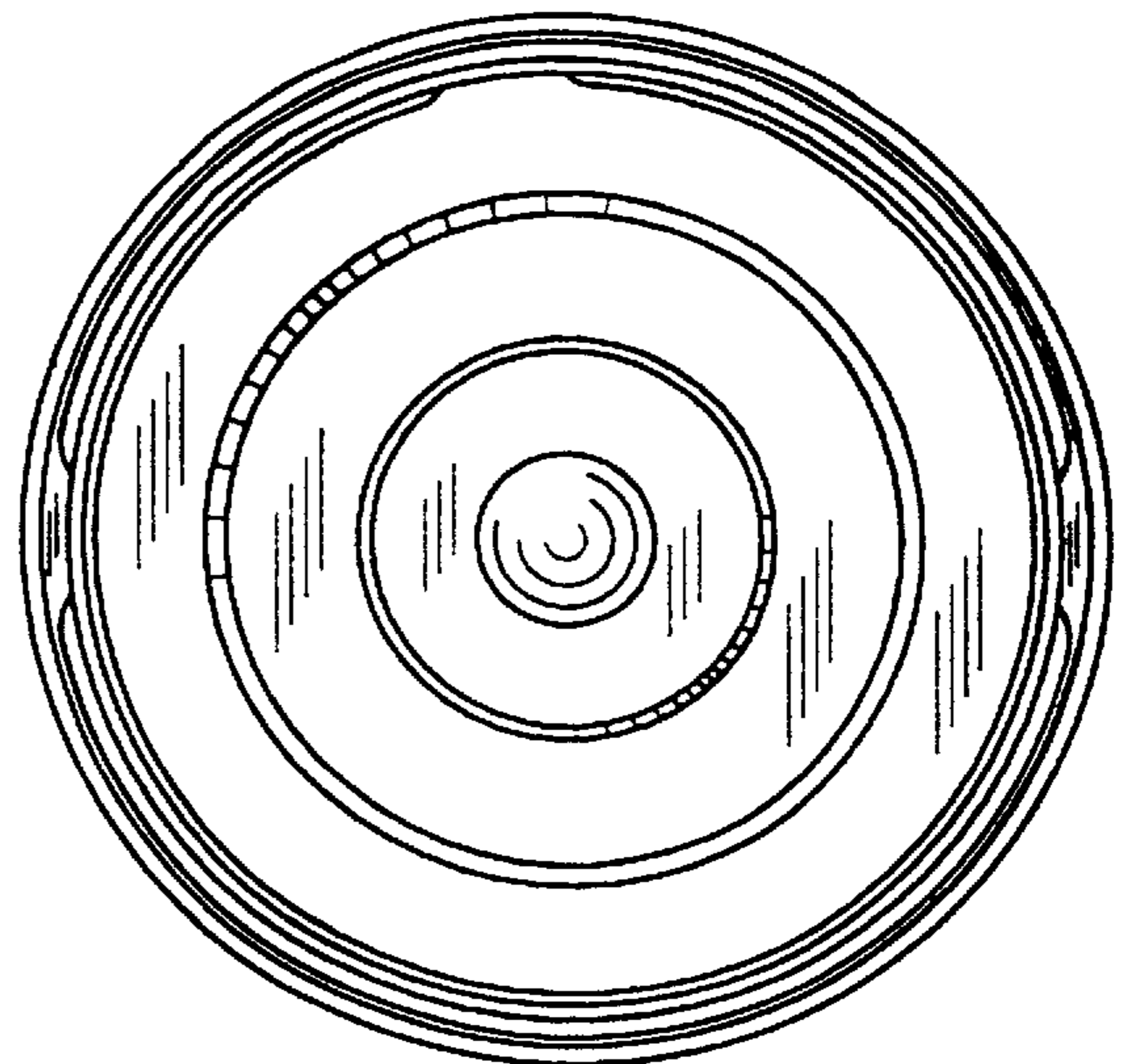


FIG. 4



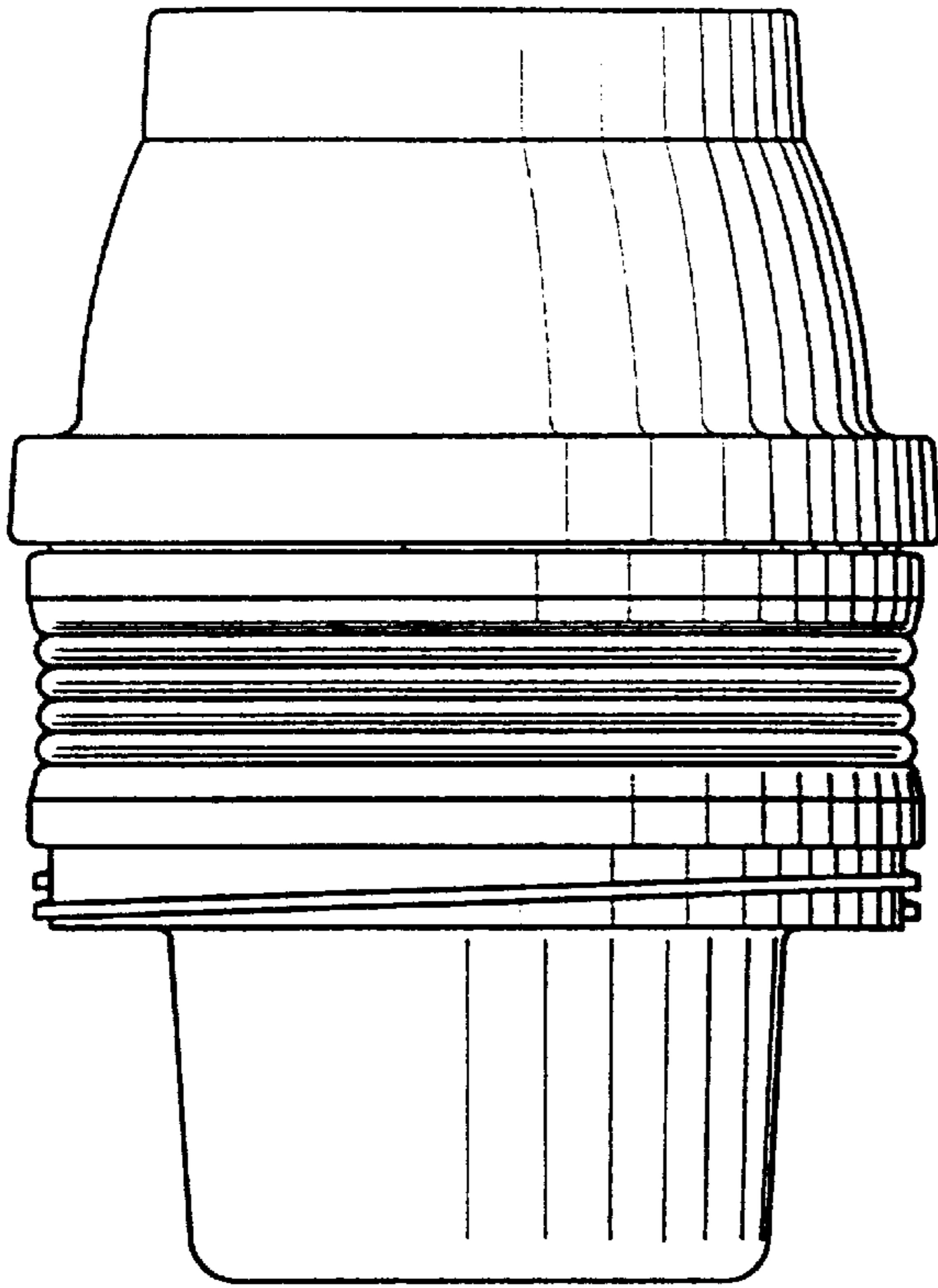


FIG. 5

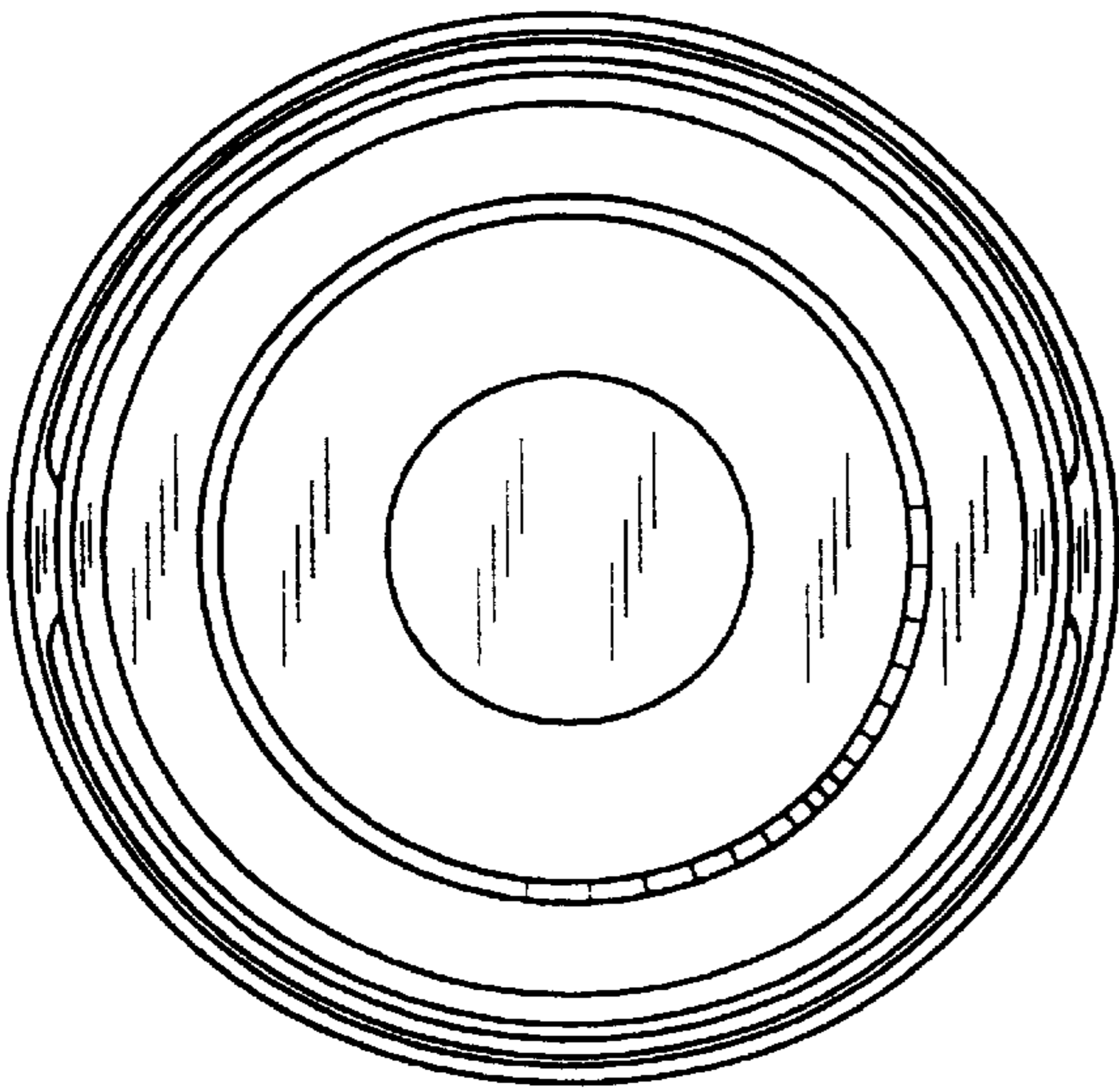
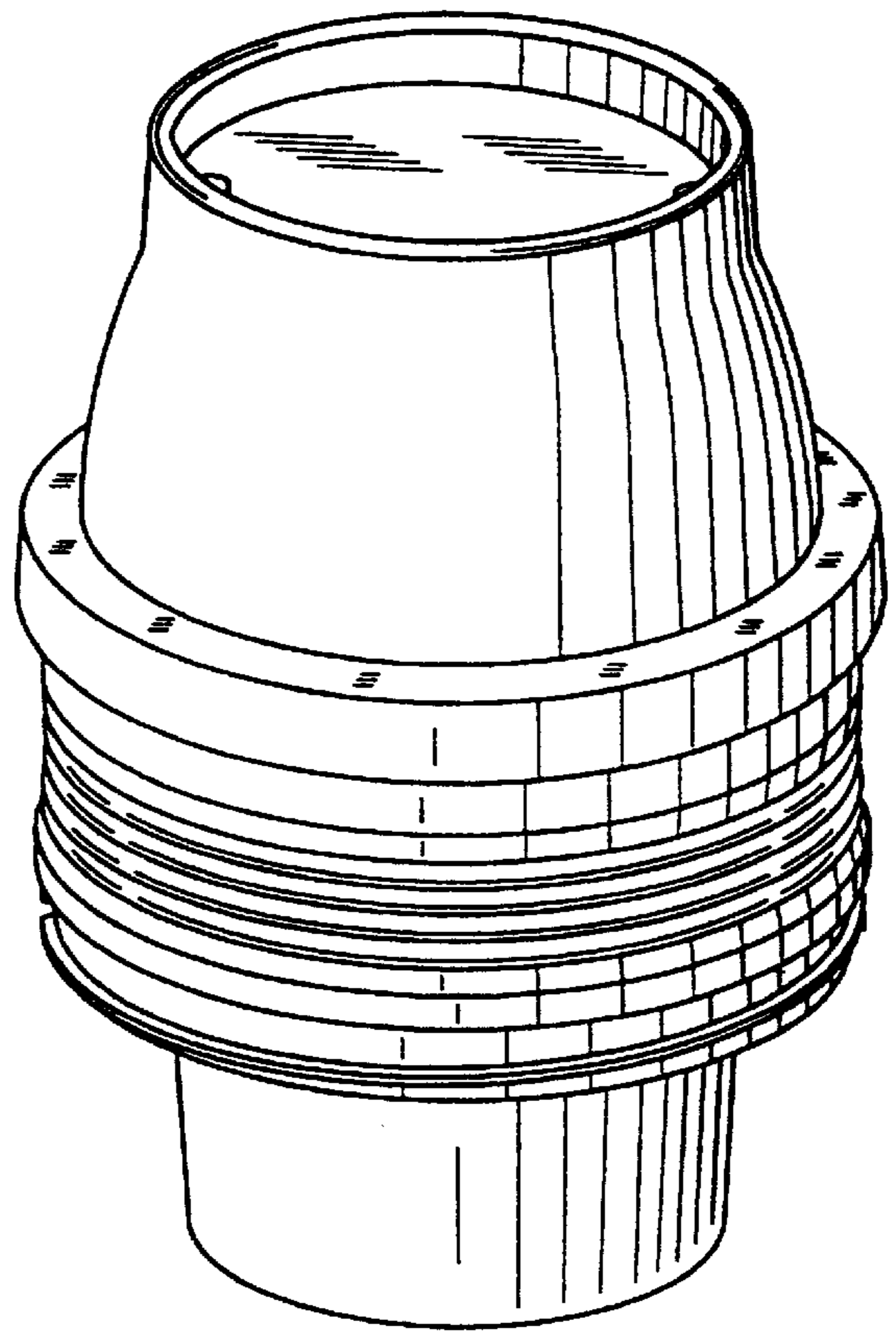
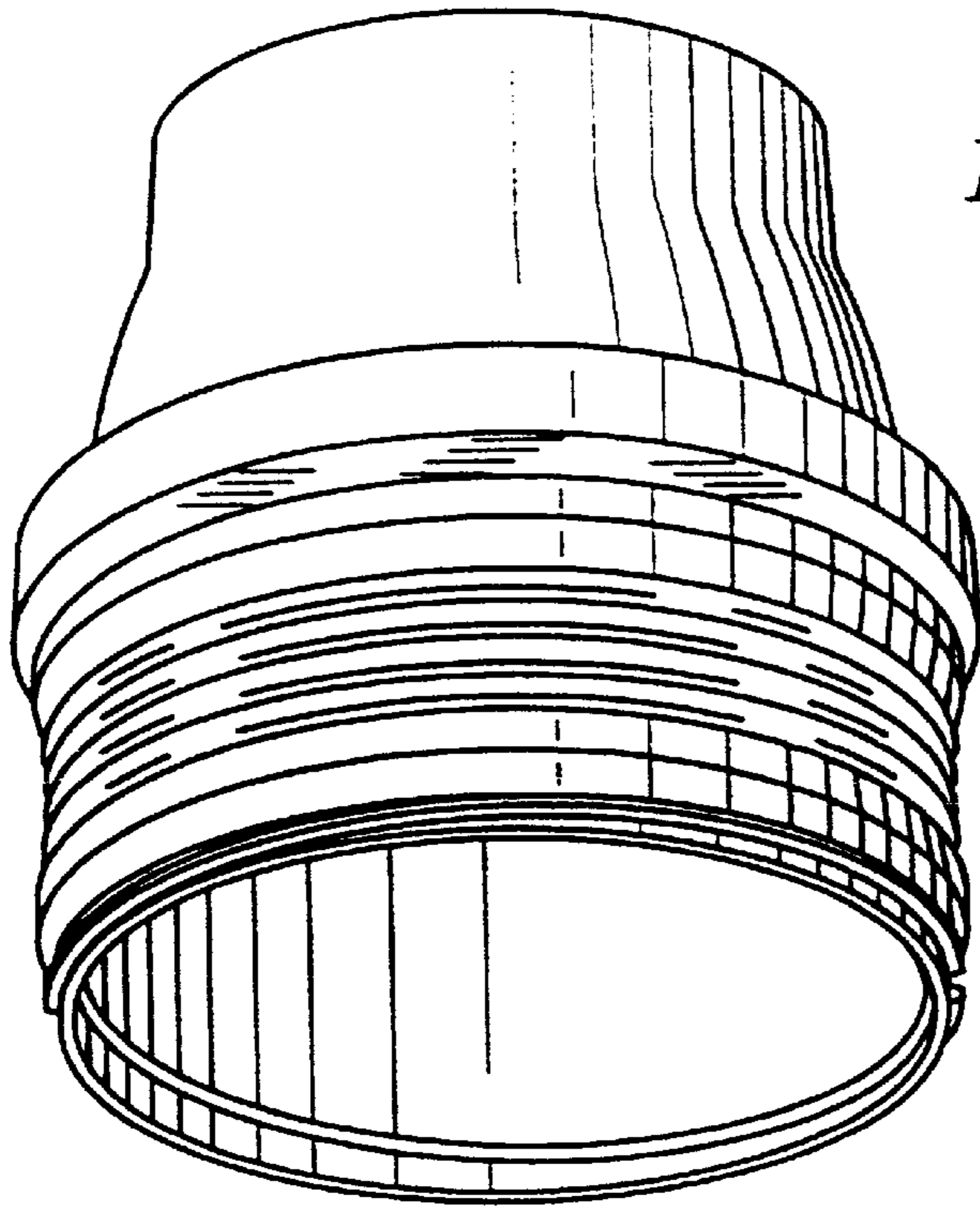


FIG. 6

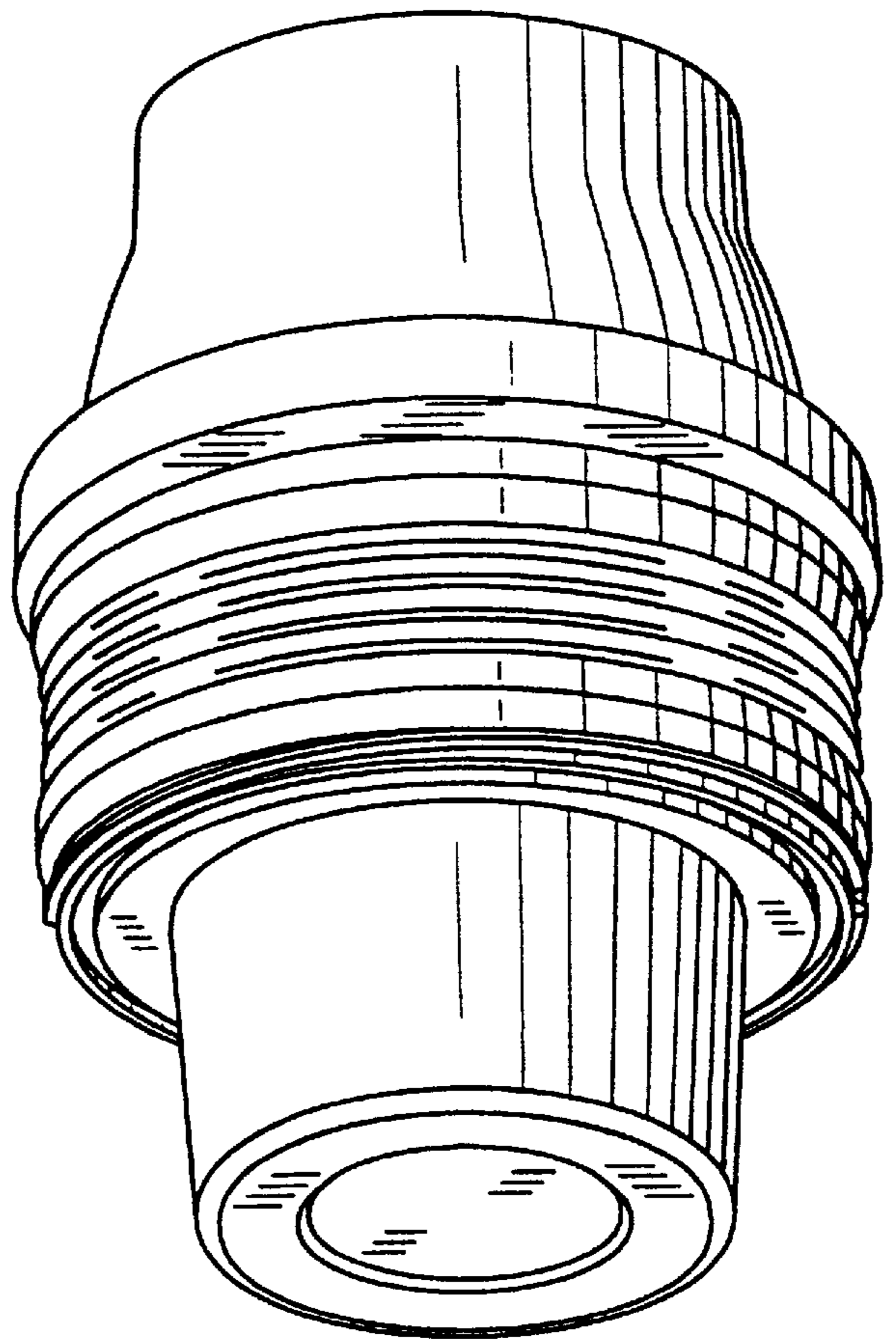
FIG. 7







*FIG. 8*



*FIG. 9*