



US00D410361S

# United States Patent [19]

Baranski et al.

[11] Patent Number: **Des. 410,361**

[45] Date of Patent: **\*\* Jun. 1, 1999**

[54] **WINDOW TREATMENT TIE BACK**

[75] Inventors: **Mary-Ann Baranski**, Pawtucket, R.I.;  
**Keith M. G. Bibby**, Mansfield, Mass.

[73] Assignee: **Kenney Manufacturing Company**,  
Warwick, R.I.

[\*\*] Term: **14 Years**

[21] Appl. No.: **29/092,807**

[22] Filed: **Aug. 27, 1998**

[51] **LOC (6) Cl.** ..... **06-10**

[52] **U.S. Cl.** ..... **D6/578; D6/580; D8/305;**  
D8/310

[58] **Field of Search** ..... D6/580, 581, 578;  
160/348, 349.1, 349.2; D8/305, 300, 310,  
DIG. 2

[56] **References Cited**

**U.S. PATENT DOCUMENTS**

D. 11,191	5/1879	Russell, Jr.	.....	D8/305
D. 19,533	12/1889	Andrew et al.	.....	D8/305
D. 126,700	4/1941	Freedman	.....	D6/580
D. 356,725	3/1995	McMichael	.....	D6/580 X
1,831,169	11/1931	Geraldine	.....	160/349.2

1,933,691	11/1933	Young	.....	160/349.2
4,559,988	12/1985	Nocerino	.....	160/349.2
4,912,829	4/1990	Hickey	.....	160/349.2
5,517,722	5/1996	Bender	.....	160/349.2

*Primary Examiner*—B. J. Bullock  
*Assistant Examiner*—Monica A. Weingart  
*Attorney, Agent, or Firm*—Robert J. Doherty

[57] **CLAIM**

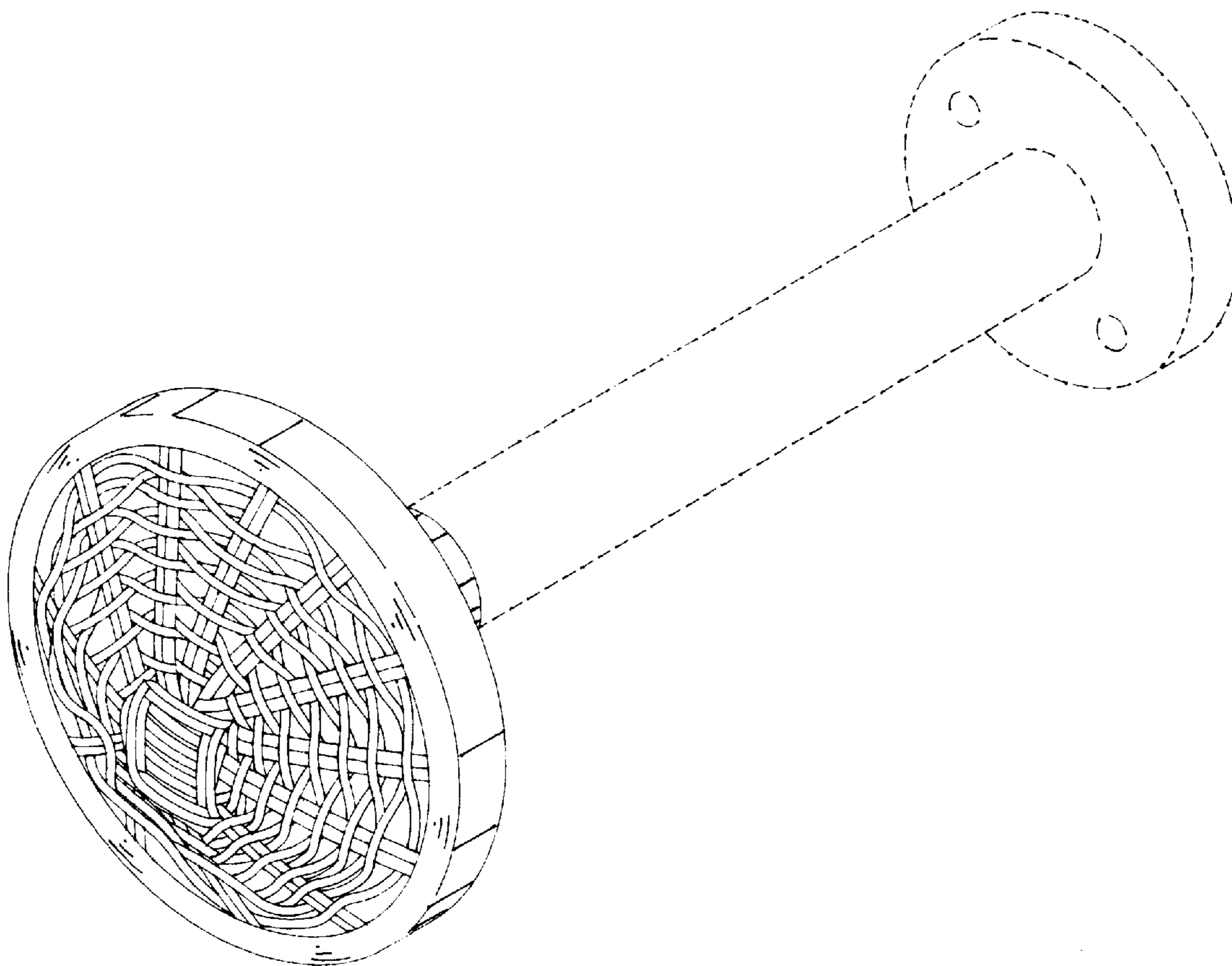
The ornamental design for a window treatment tie back, as shown and described.

**DESCRIPTION**

FIG. 1 is a front perspective view of a window treatment tie back showing our new design;  
FIG. 2 is a front elevational view thereof;  
FIG. 3 is a rear elevational view thereof;  
FIG. 4 is a right side elevational view thereof;  
FIG. 5 is a left side elevational view thereof;  
FIG. 6 is a top view thereof; and,  
FIG. 7 is a bottom view thereof.

The broken line showing of a wall connector in FIG. 1 is for illustrative purposes and forms no part of the claimed design.

**1 Claim, 3 Drawing Sheets**



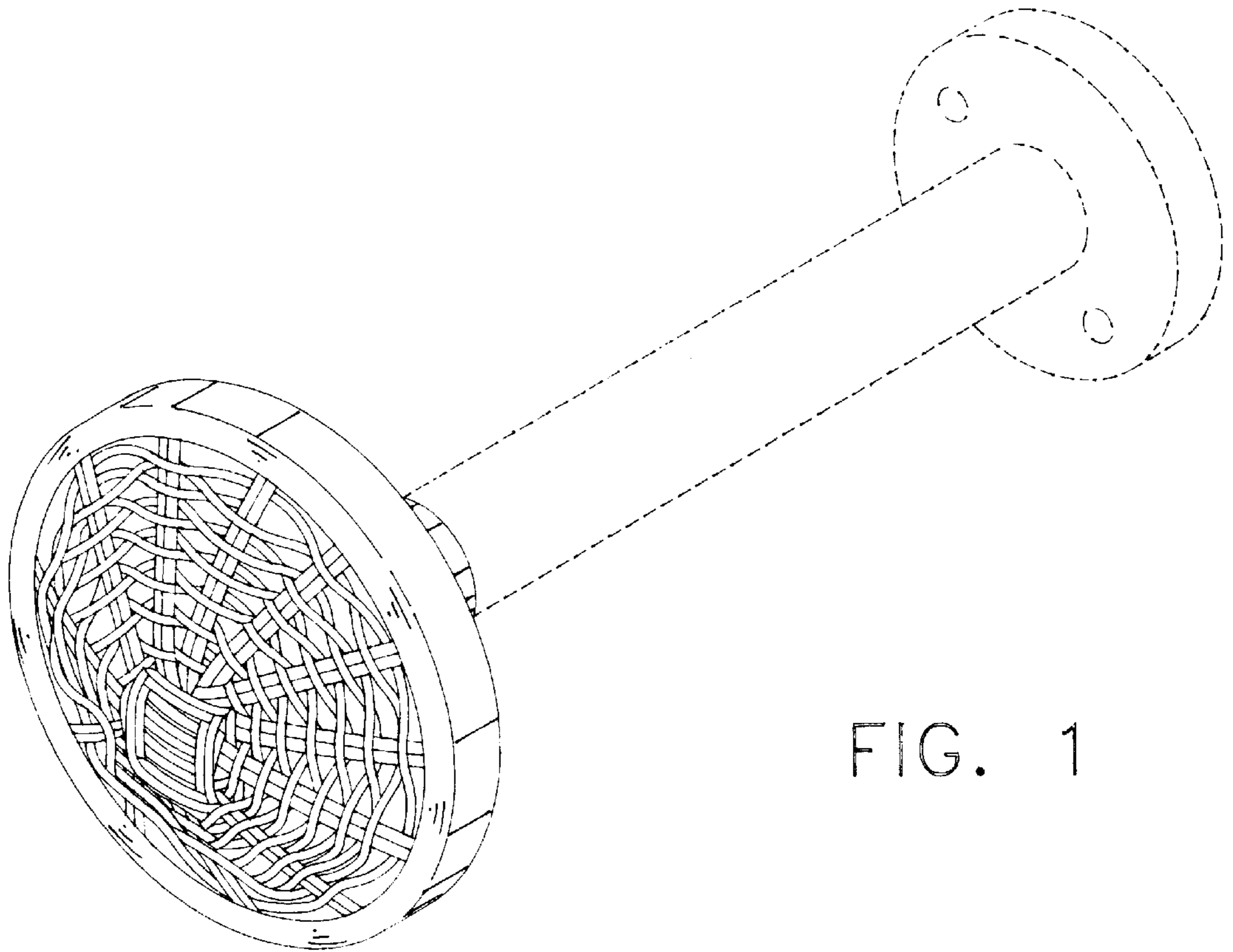


FIG. 1

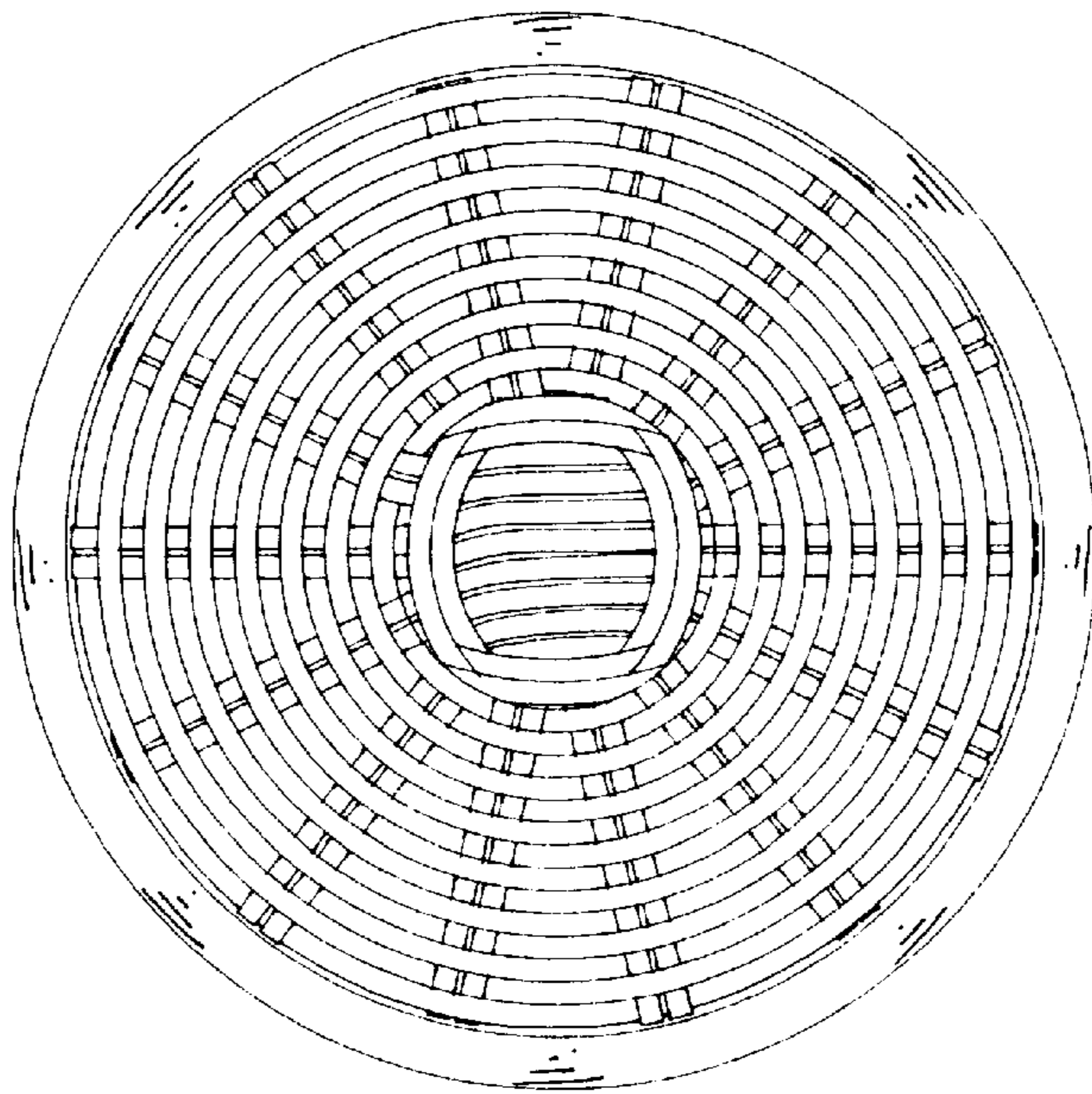


FIG. 2

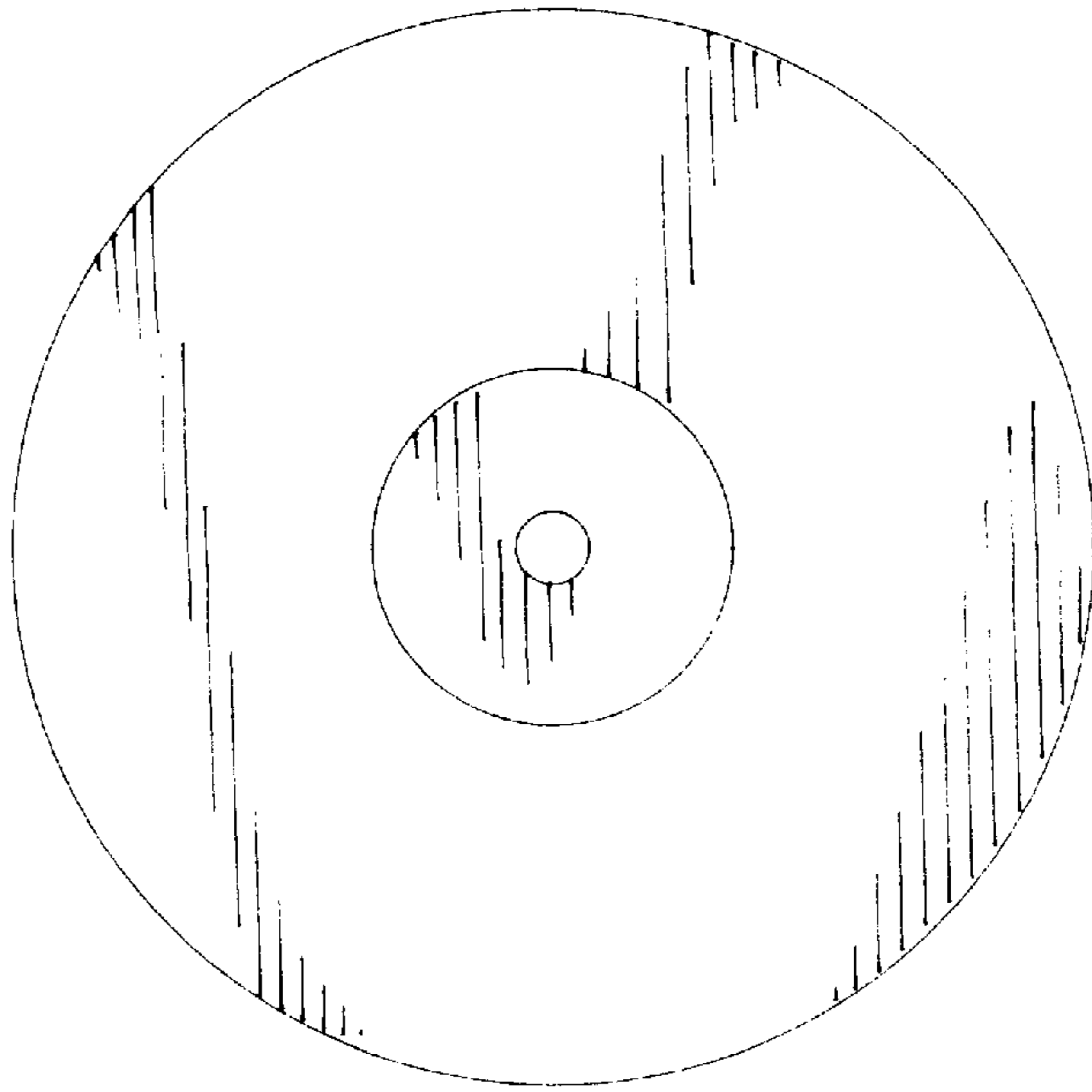


FIG. 3

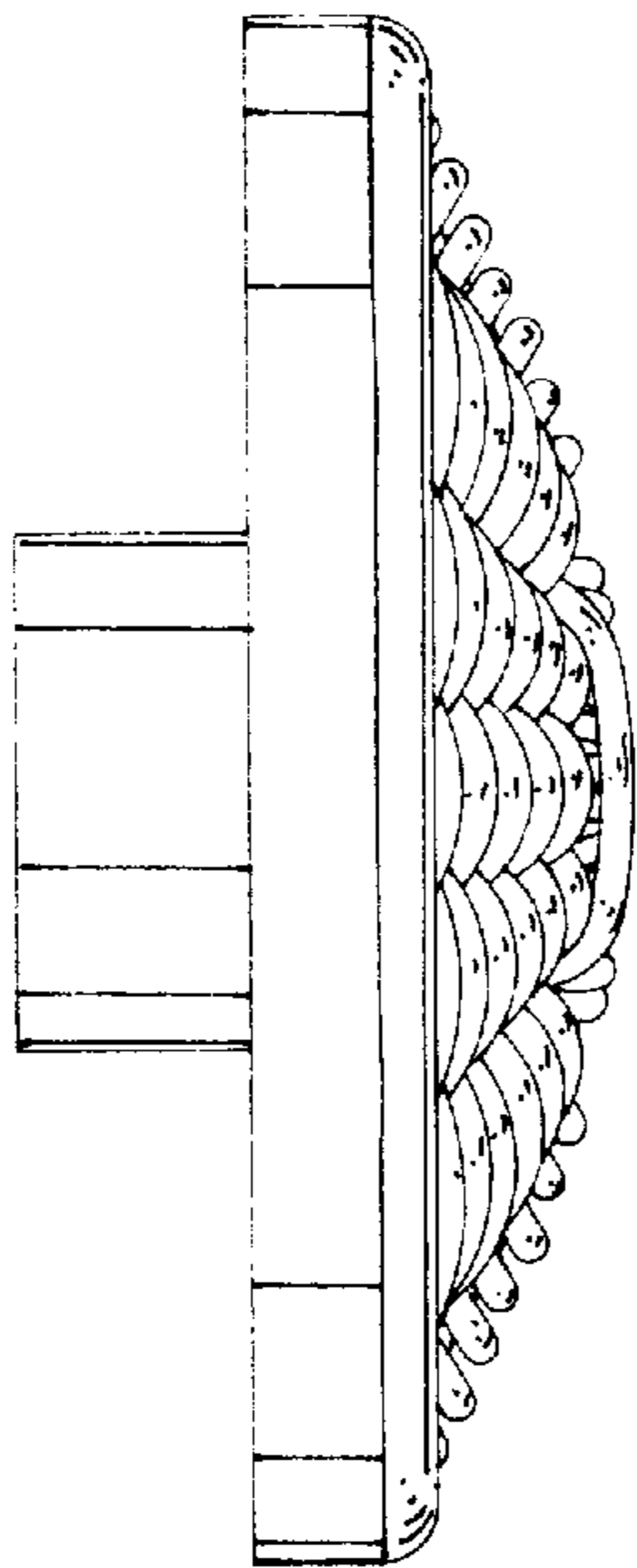


FIG. 4

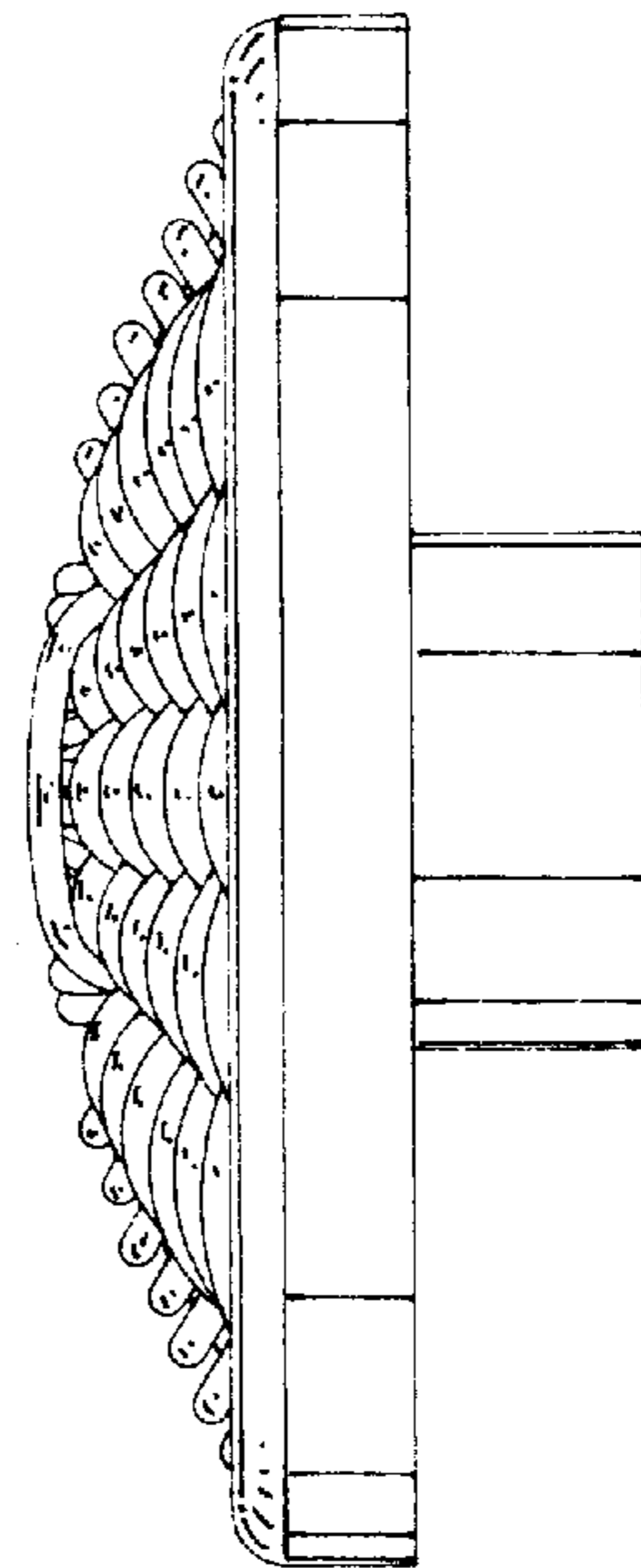


FIG. 5

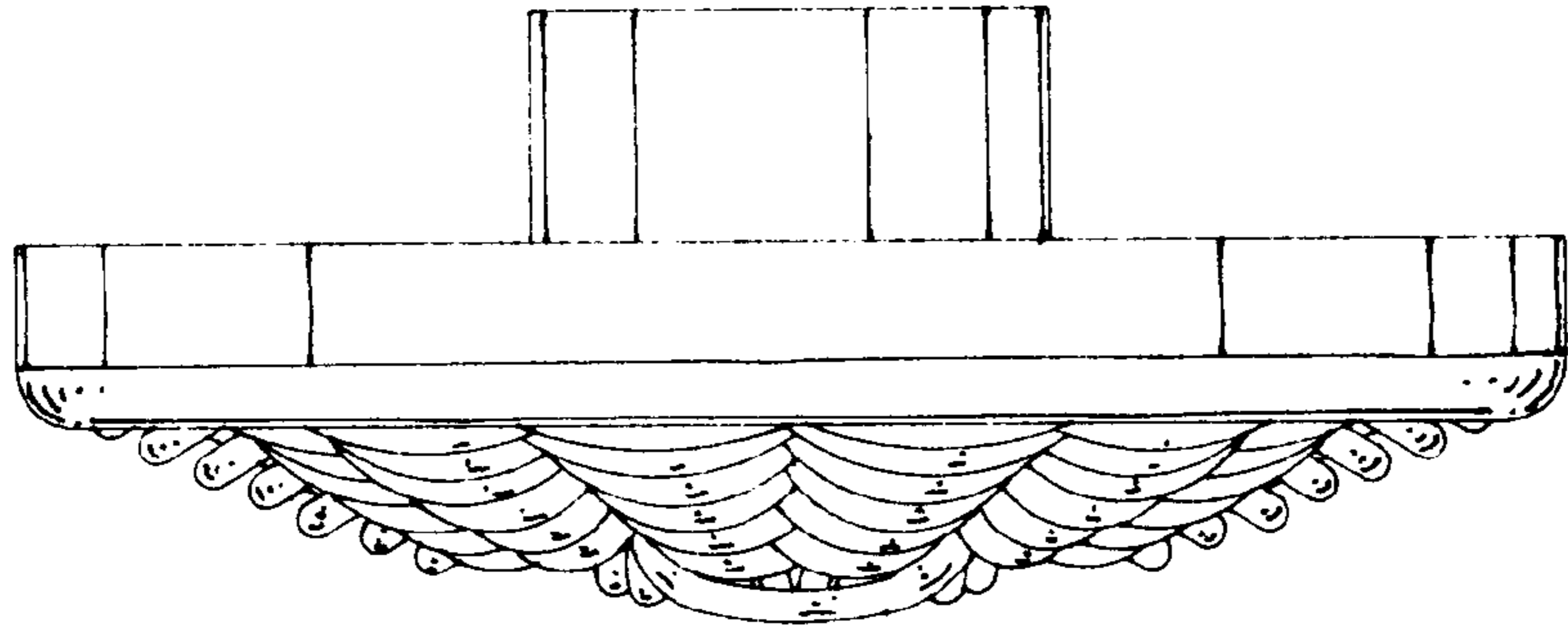


FIG. 6

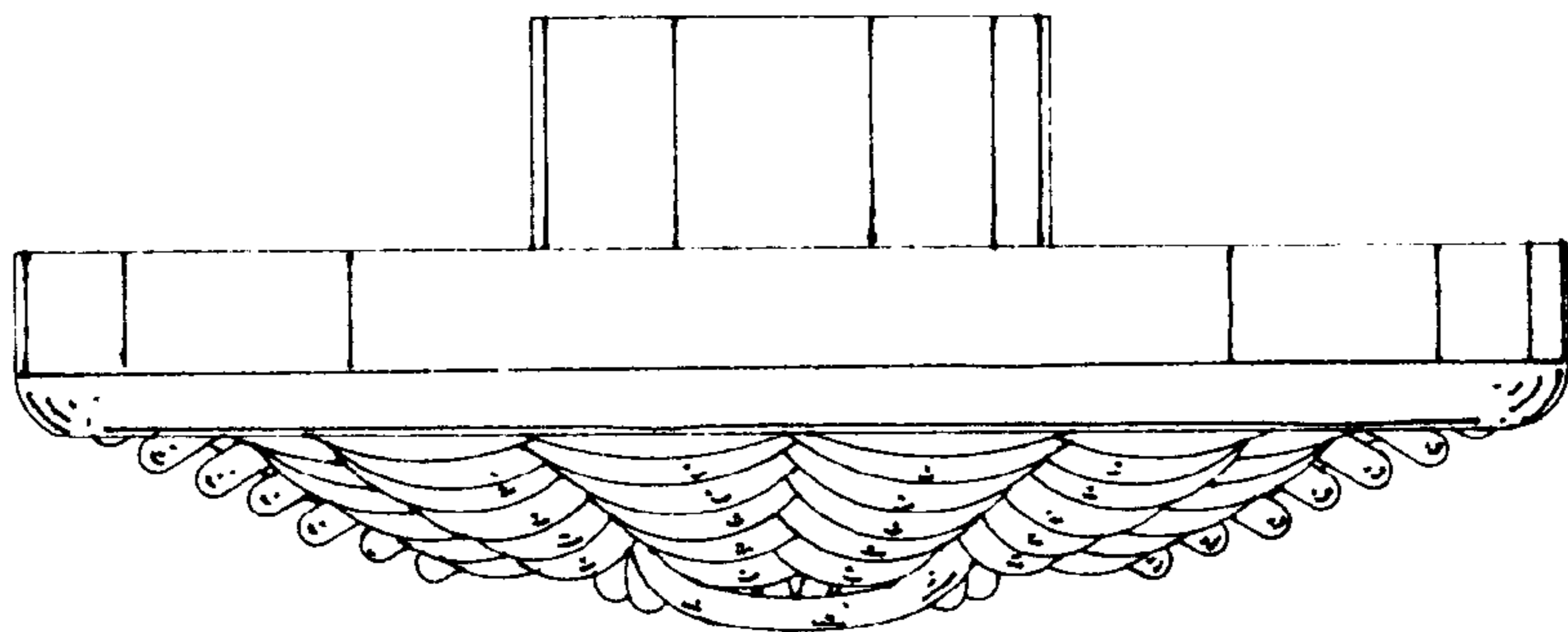


FIG. 7