



US00D410359S

United States Patent [19]

Belokin et al.

[11] Patent Number: **Des. 410,359**

[45] Date of Patent: **** Jun. 1, 1999**

[54] **DISPLAY SHELF**

[76] Inventors: **Paul Belokin; Martin P. Belokin**, both of 7801 I-35 North, Denton, Tex. 76202; **Norman P. Belokin**, 1606 Oak Ridge Dr., Corinth, Tex. 76205

[**] Term: **14 Years**

[21] Appl. No.: **29/093,715**

[22] Filed: **Sep. 17, 1998**

[51] **LOC (6) Cl.** **08-08**

[52] **U.S. Cl.** **D6/574**

[58] **Field of Search** D6/509-511, 513, D6/574, 567, 553, 566; D7/569, 601; 211/71, 74, 75, 88, 90

[56] **References Cited**

U.S. PATENT DOCUMENTS

- D. 316,790 5/1991 Robbins et al. D6/574
- D. 323,766 2/1992 Robbins et al. D6/574

- D. 400,384 11/1998 Belokin et al. D6/574
- 2,291,381 7/1942 Drake 211/70.6 X
- 4,343,172 8/1982 Nordlund 211/70.6 X
- 4,376,521 3/1983 Walters 211/90 X
- 4,830,198 5/1989 Colquitt 211/13 X
- 4,984,693 1/1991 Belokin, Jr. et al. 211/90 X

Primary Examiner—Brian N. Vinson
Attorney, Agent, or Firm—Jack A. Kanz

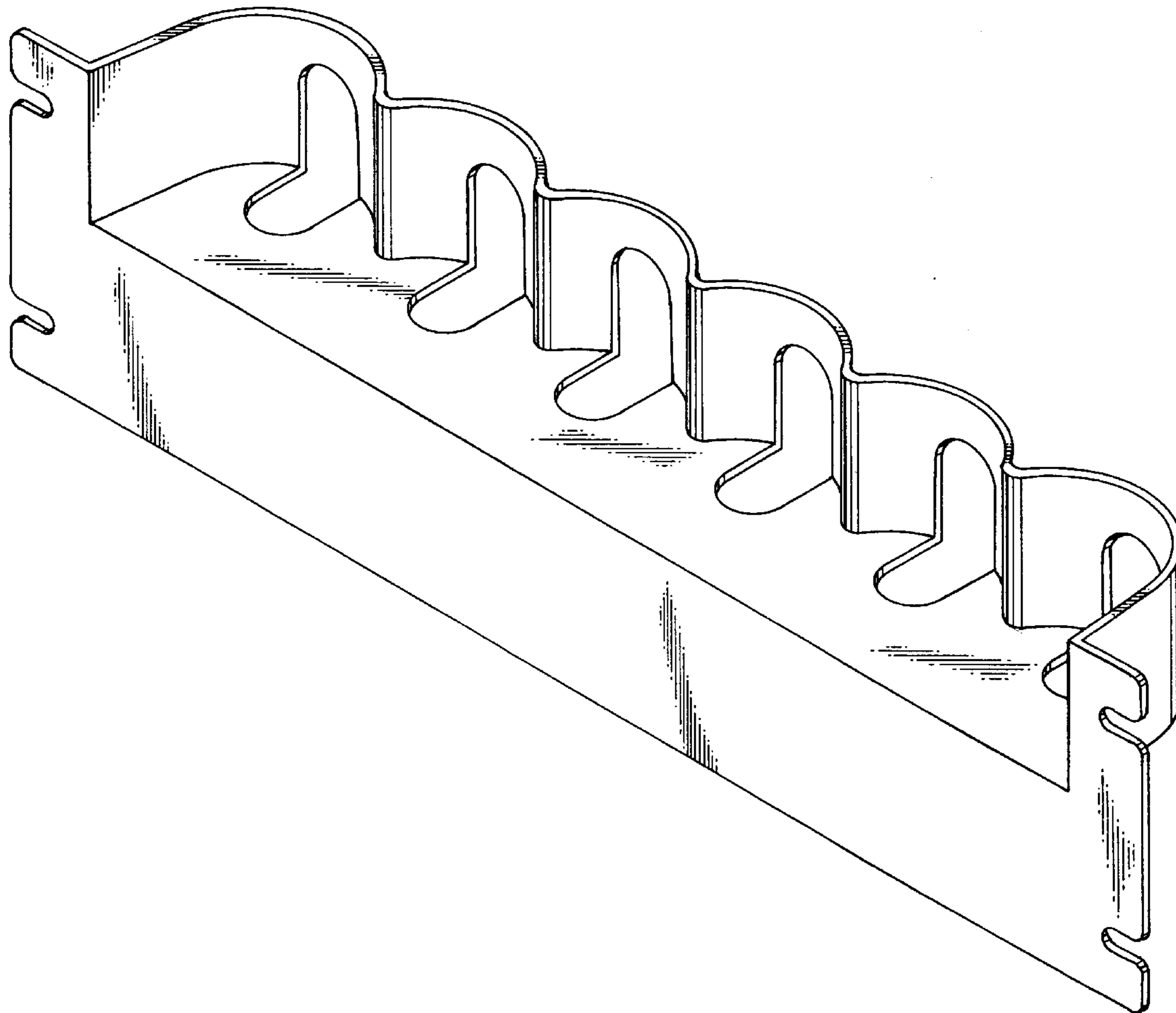
[57] **CLAIM**

The ornamental design disclosed for display shelf.

DESCRIPTION

FIG. 1 is a front perspective view of a display shelf showing our new design;
FIG. 2 is a side elevational view thereof, the opposite side view being a mirror image of the view FIG. 2;
FIG. 3 is a top plan view thereof;
FIG. 4 is a rear elevation view thereof; and,
FIG. 5 is a bottom plan view of our display shelf.

1 Claim, 2 Drawing Sheets



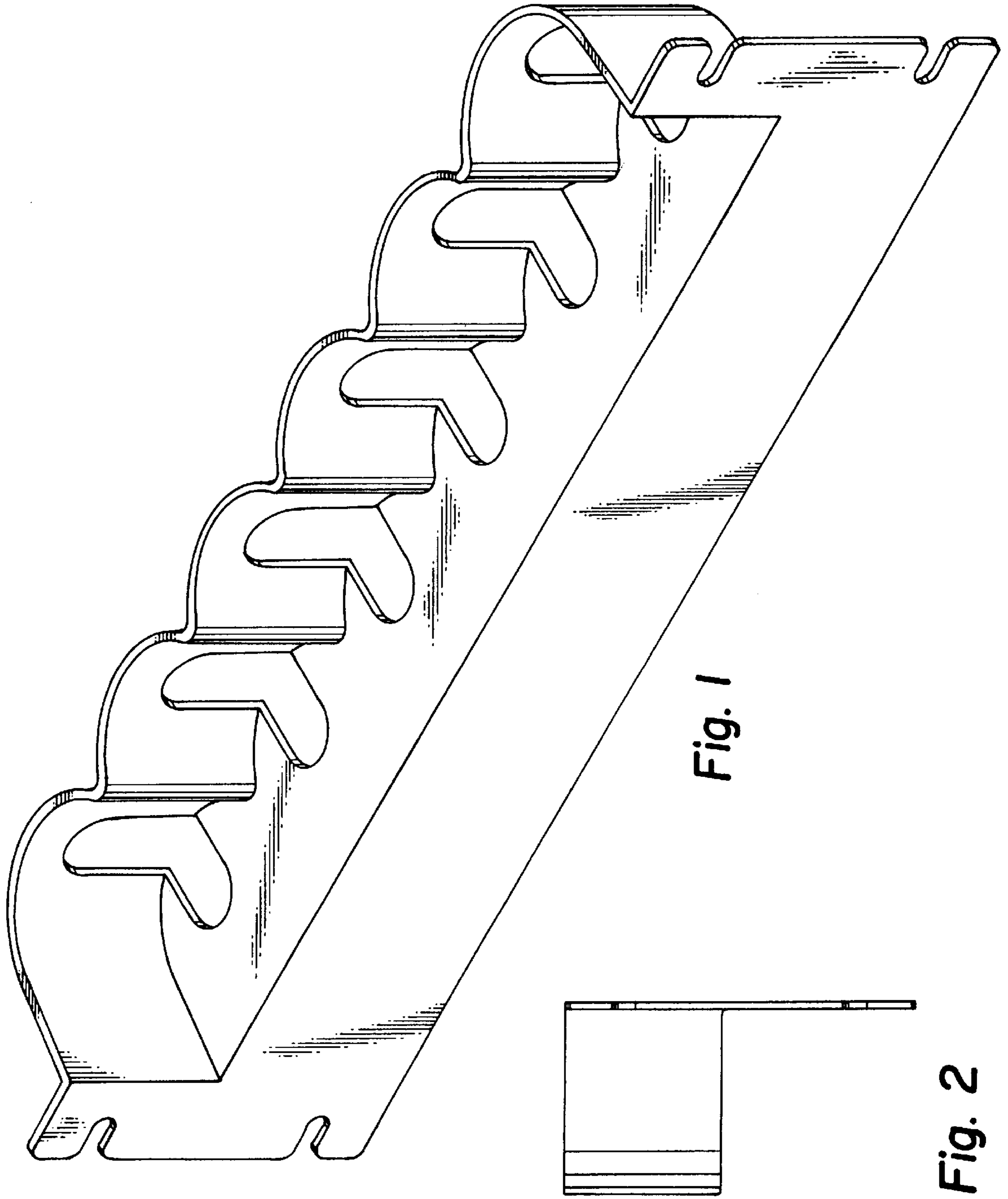


Fig. 1

Fig. 2

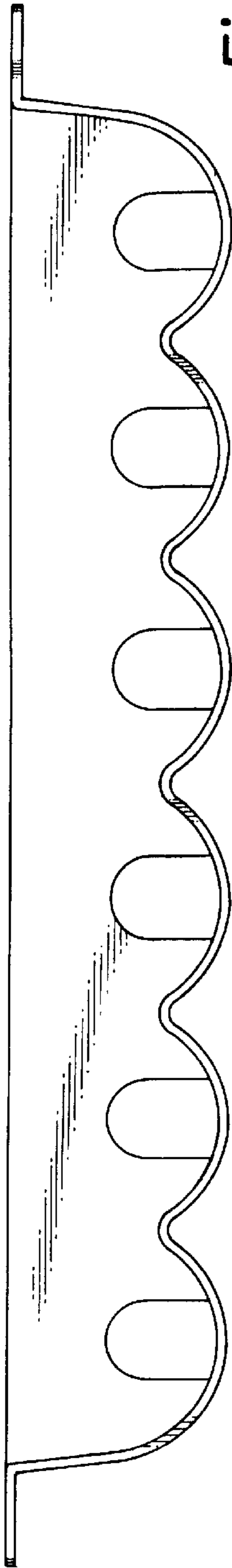


Fig. 3

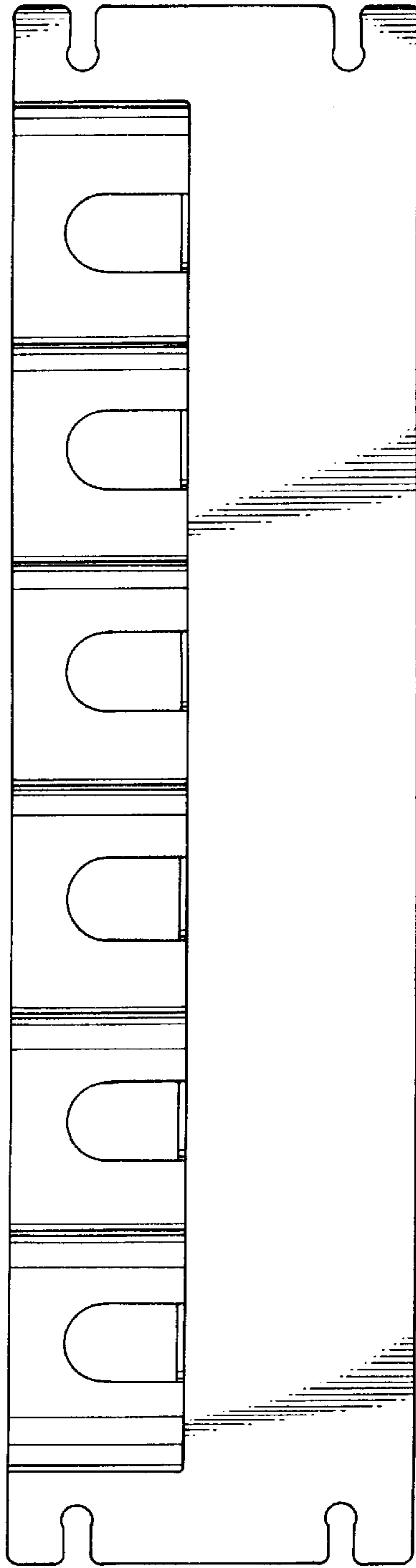


Fig. 4

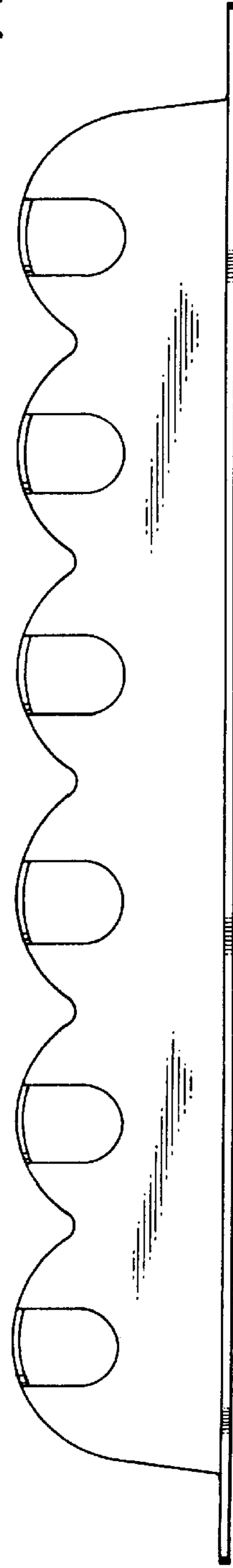


Fig. 5