



US00D410358S

**United States Patent** [19]  
**Green**

[11] **Patent Number: Des. 410,358**

[45] **Date of Patent: \*\* Jun. 1, 1999**

[54] **HOUSEHOLD PRODUCT HOLDER**

[76] Inventor: **Timothy O. Green**, 2147 S. 15th St.,  
Springfield, Ill. 62703

[\*\*] Term: **14 Years**

[21] Appl. No.: **29/087,474**

[22] Filed: **May 4, 1998**

[51] **LOC (6) Cl.** ..... **07-07**

[52] **U.S. Cl.** ..... **D6/523**

[58] **Field of Search** ..... D6/518-523; 242/570,  
242/590, 596, 598; 312/34.8; D11/131,  
133; D12/114, 107

[56] **References Cited**

**U.S. PATENT DOCUMENTS**

- D. 312,739 12/1990 Sigmund ..... D6/523
- D. 351,749 10/1994 Omdoll et al. .... D6/523
- D. 364,059 11/1995 Merriweather, Jr. .... D6/523 X

*Primary Examiner*—Brian N. Vinson  
*Attorney, Agent, or Firm*—Philip L. Bateman

[57] **CLAIM**

The ornamental design for a household product holder, as shown and described.

**DESCRIPTION**

FIG. 1 is a front, right side, and top perspective view of a first embodiment of a household product holder showing my new design. This embodiment is adapted to hold a roll of toilet paper;

FIG. 2 is a top plan view thereof;

FIG. 3 is a front elevation view thereof;

FIG. 4 is a bottom plan view thereof;

FIG. 5 is a right side elevation view thereof;

FIG. 6 is a left side elevation view thereof; and,

FIG. 7 is a rear elevation view thereof.

**1 Claim, 2 Drawing Sheets**

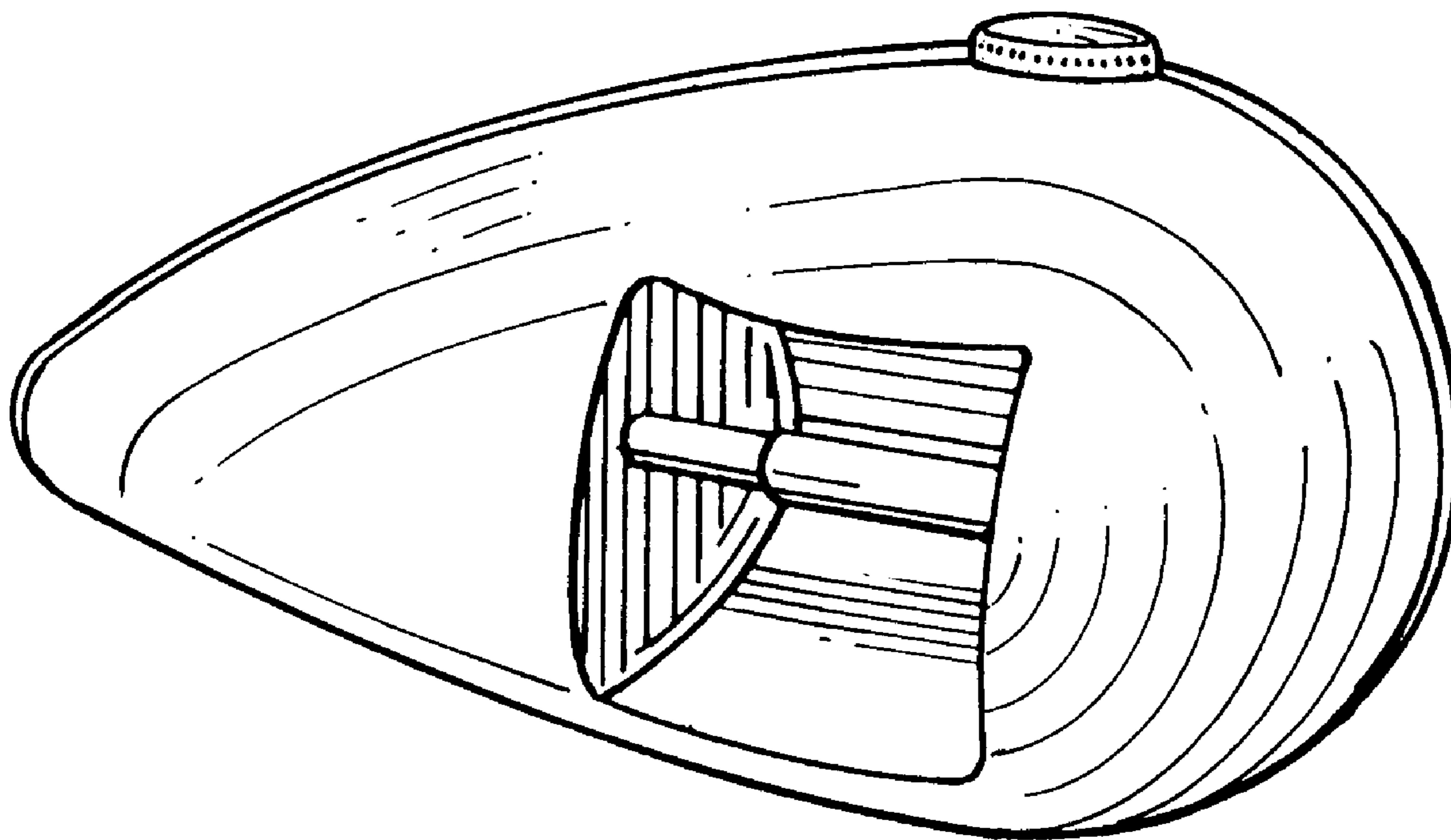


FIG. 1

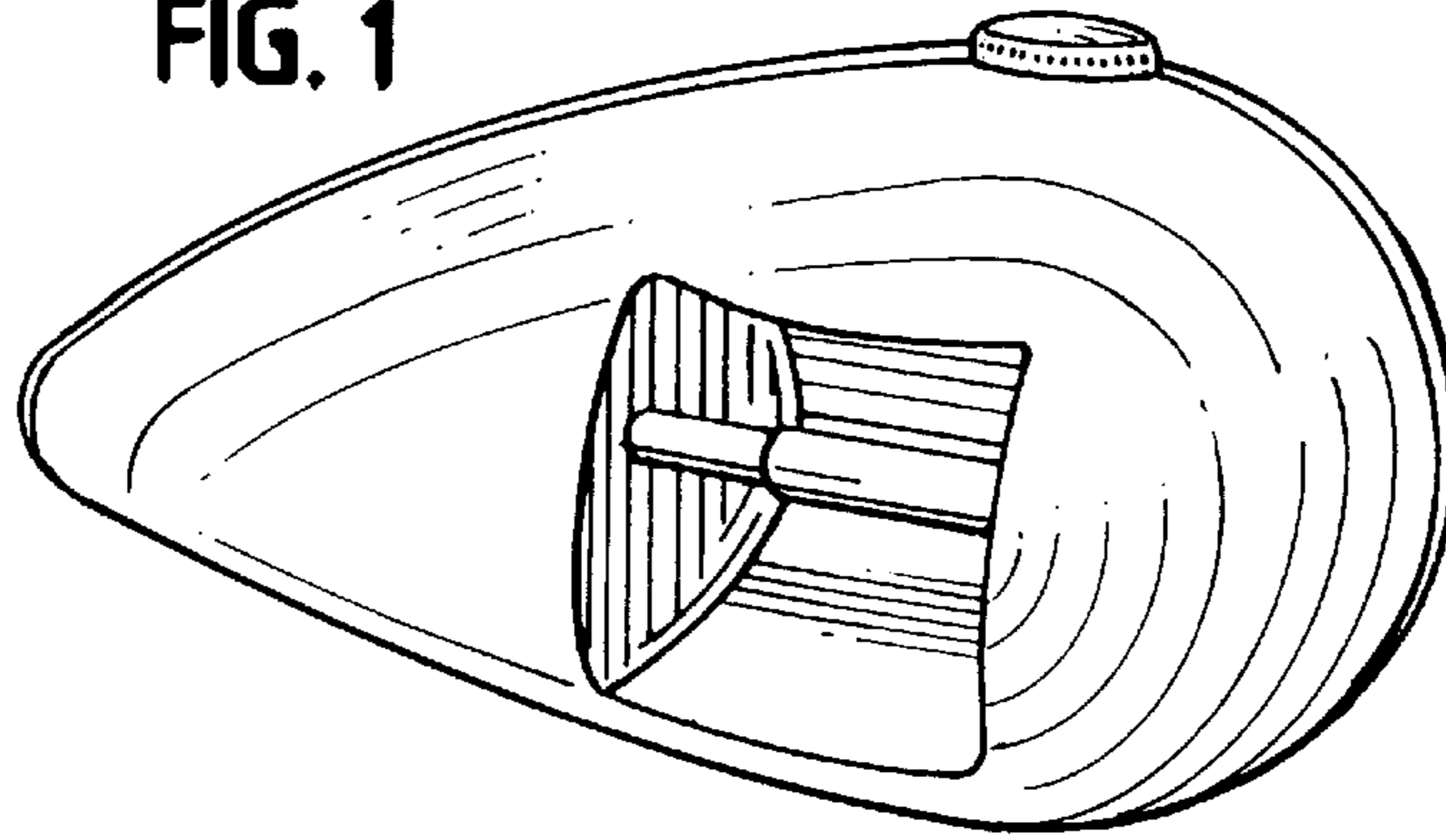


FIG. 2

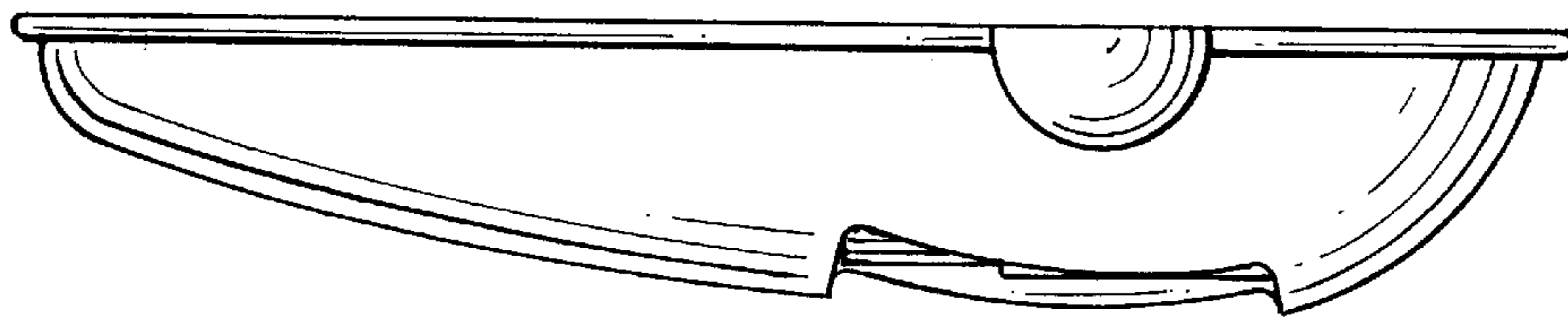


FIG. 3

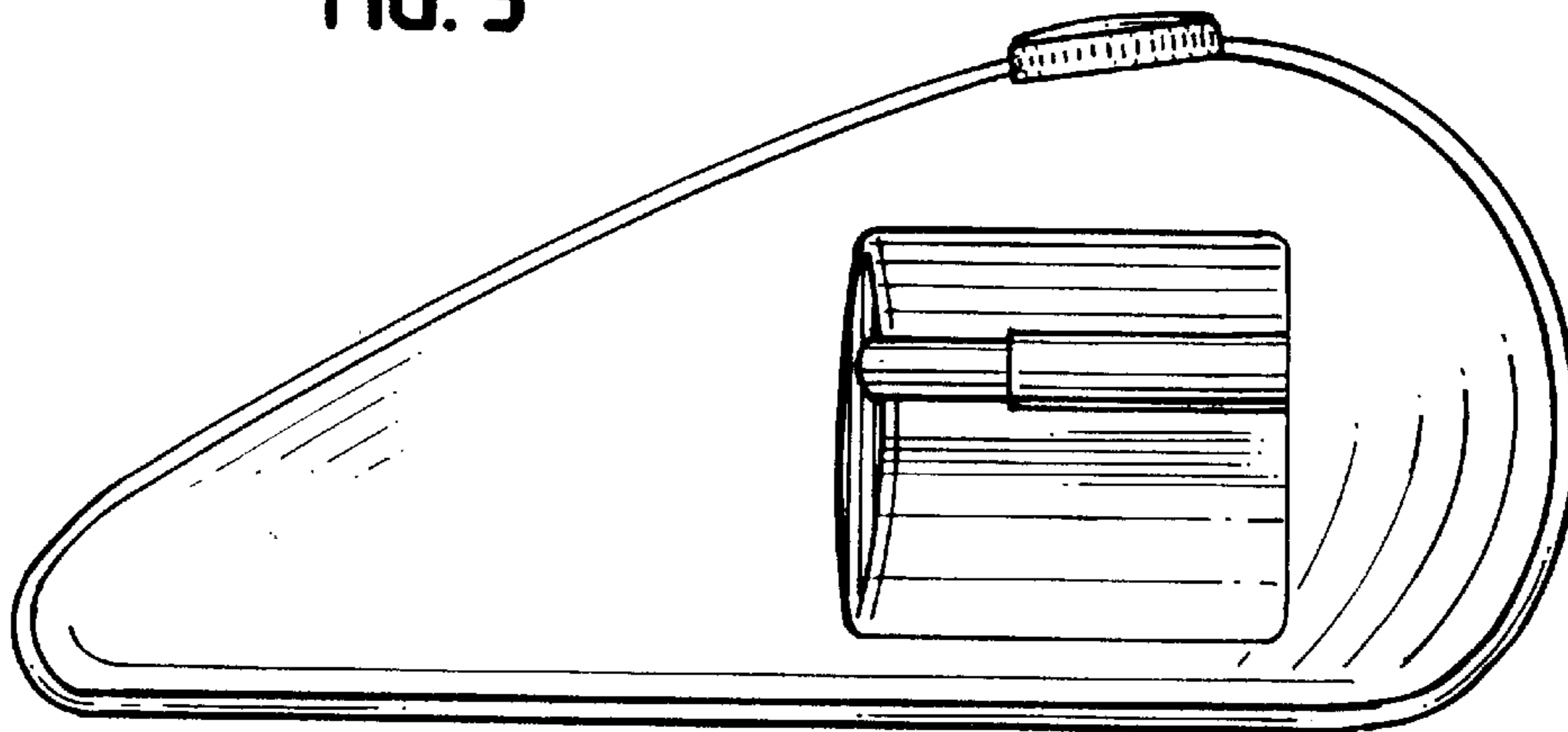


FIG. 4

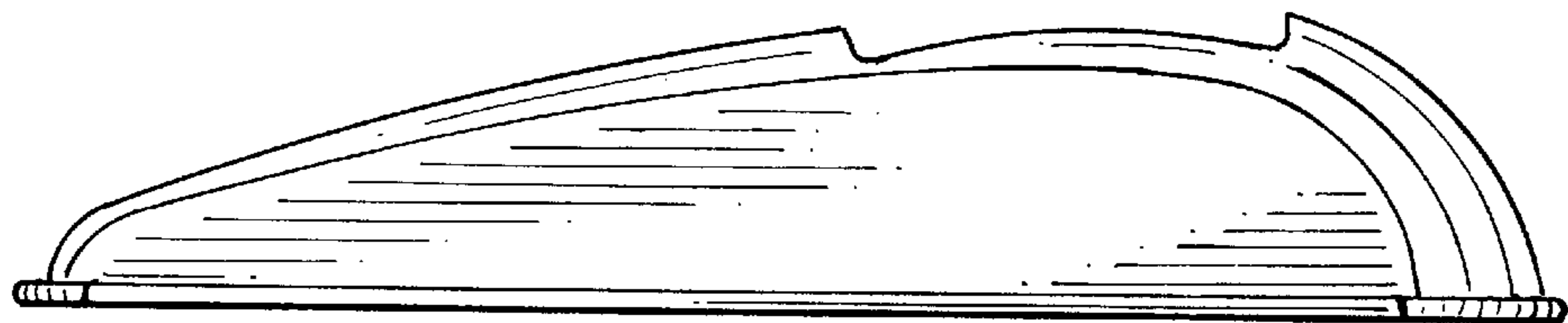


FIG. 5

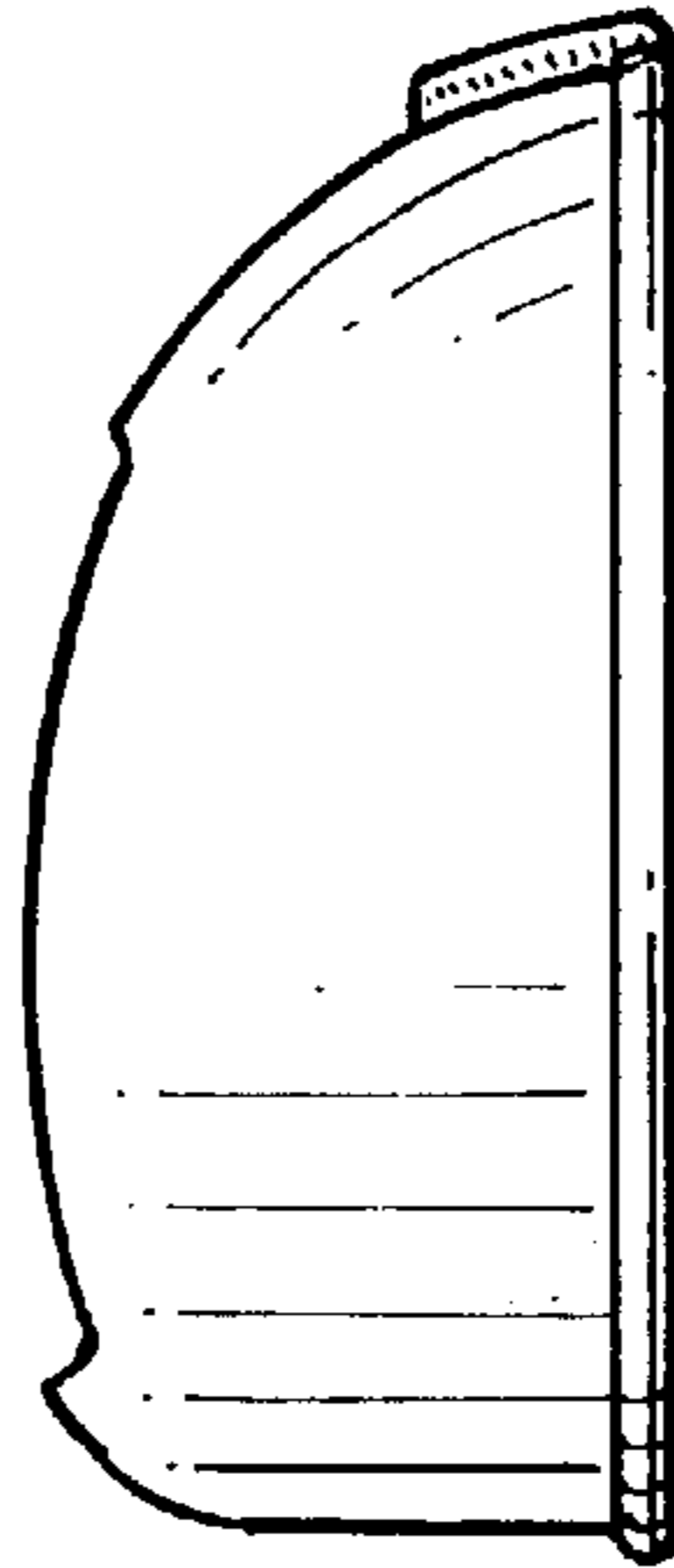


FIG. 6

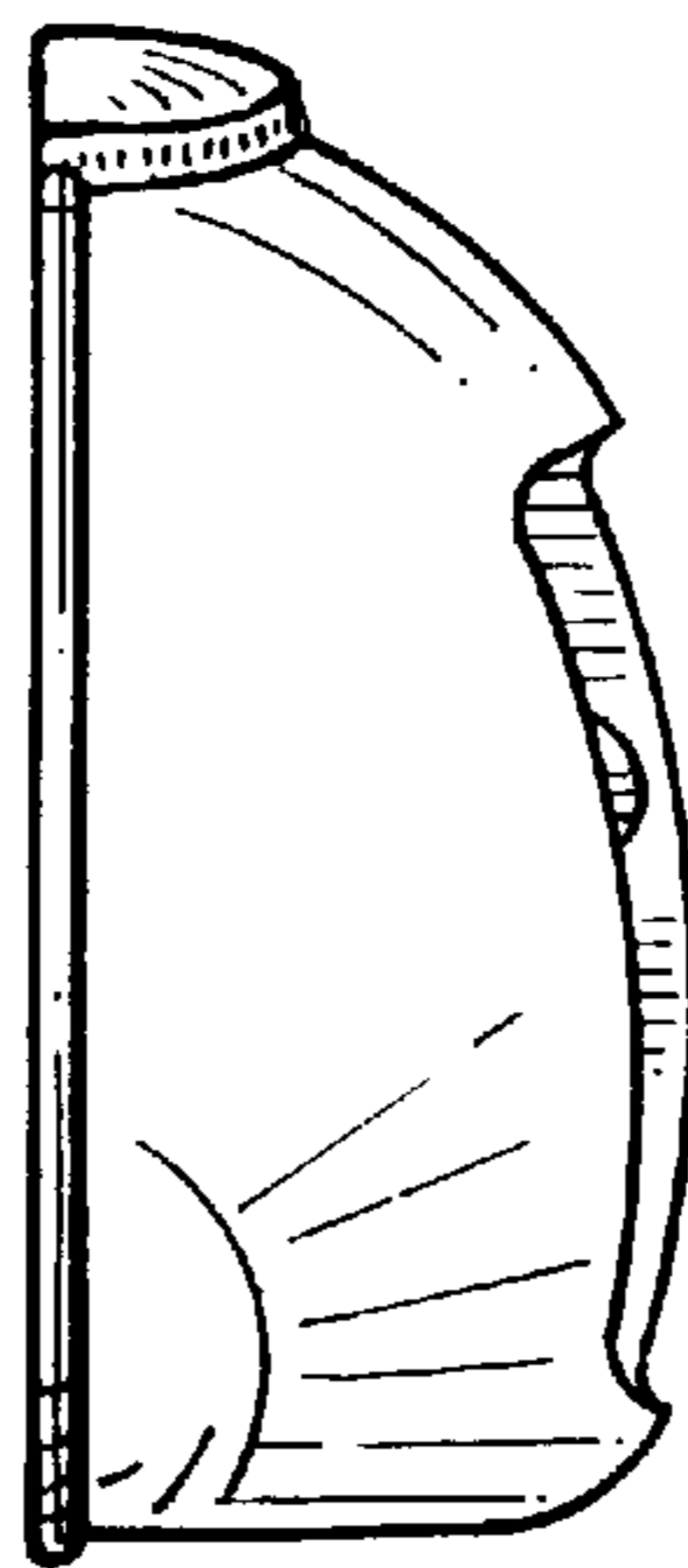


FIG. 7

