



US00D410356S

United States Patent [19]

Ardito

[11] Patent Number: **Des. 410,356**

[45] Date of Patent: **** Jun. 1, 1999**

[54] **SUPPORT PLATE FOR APPARATUS FOR SUPPORTING AND DISPENSING FABRICS OR THE LIKE**

[75] Inventor: **Thomas Ardito**, Huntington, N.Y.

[73] Assignee: **Master Production Service, Inc.**, New York, N.Y.

[**] Term: **14 Years**

[21] Appl. No.: **29/080,893**

[22] Filed: **Dec. 17, 1997**

[51] **LOC (6) Cl.** **07-07**

[52] **U.S. Cl.** **D6/518; D6/410**

[58] **Field of Search** D6/515, 518, 409, D6/410; 211/44, 16; 242/570, 590, 594, 594.1, 595, 596; 312/34.1, 34.8

[56] **References Cited**

U.S. PATENT DOCUMENTS

- D. 76,906 11/1928 Victor D6/409 X
- D. 301,667 6/1989 Barrs et al. D6/518
- D. 311,835 11/1990 Bamman D6/518
- D. 341,968 12/1993 Kumerfield D6/518 X

D. 376,940 12/1996 Logan D6/518 X

Primary Examiner—Brian N. Vinson
Attorney, Agent, or Firm—Abelman, Frayne & Schwab

[57] **CLAIM**

The ornamental design for a support plate for an apparatus for supporting and dispensing fabrics or the like, as shown and described.

DESCRIPTION

FIG. 1 is a top front and right side perspective view of an apparatus for supporting and dispensing fabrics or the like, illustrating my new design for a support plate, two such plates being illustrated, with representative portions shown in broken lines for environmental purposes only, and forming no part of the claimed design;

FIG. 2 is a front elevational view of one of such support plates shown in FIG. 1;

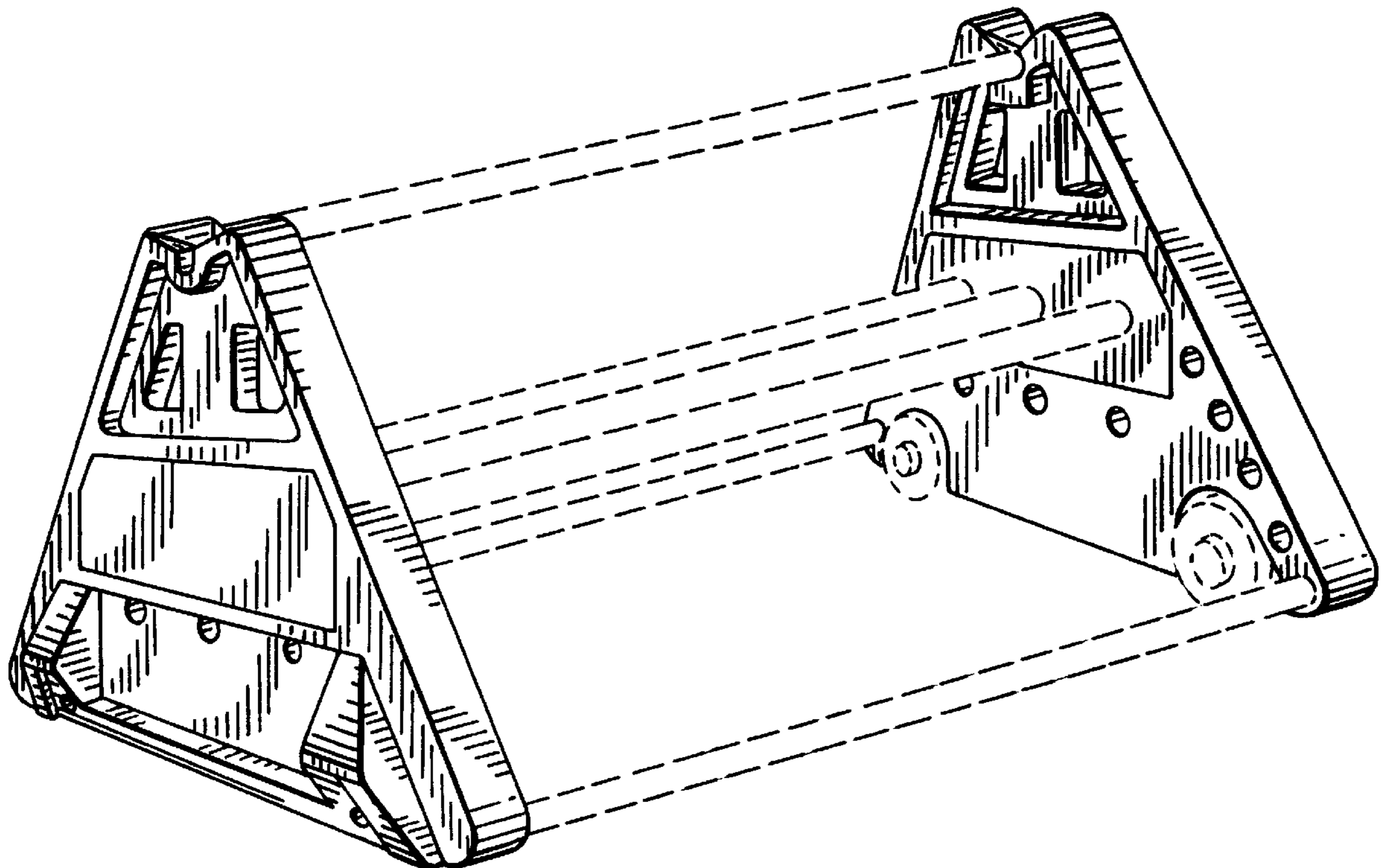
FIG. 3 is a top plan view thereof;

FIG. 4 is a bottom plan view thereof;

FIG. 5 is a left side view thereof, the right side view being a mirror image; and,

FIG. 6 is a rear elevational view thereof.

1 Claim, 4 Drawing Sheets



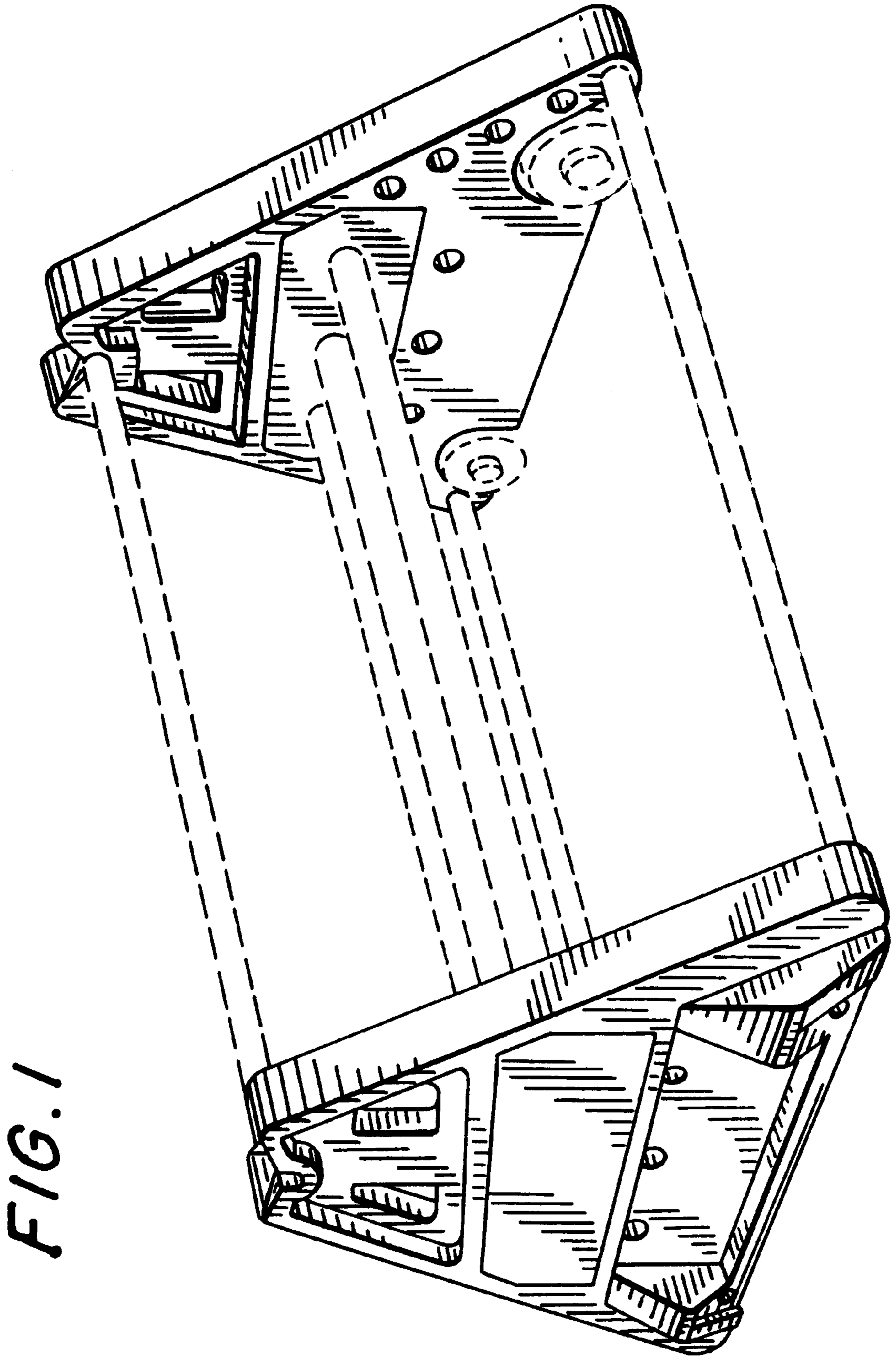
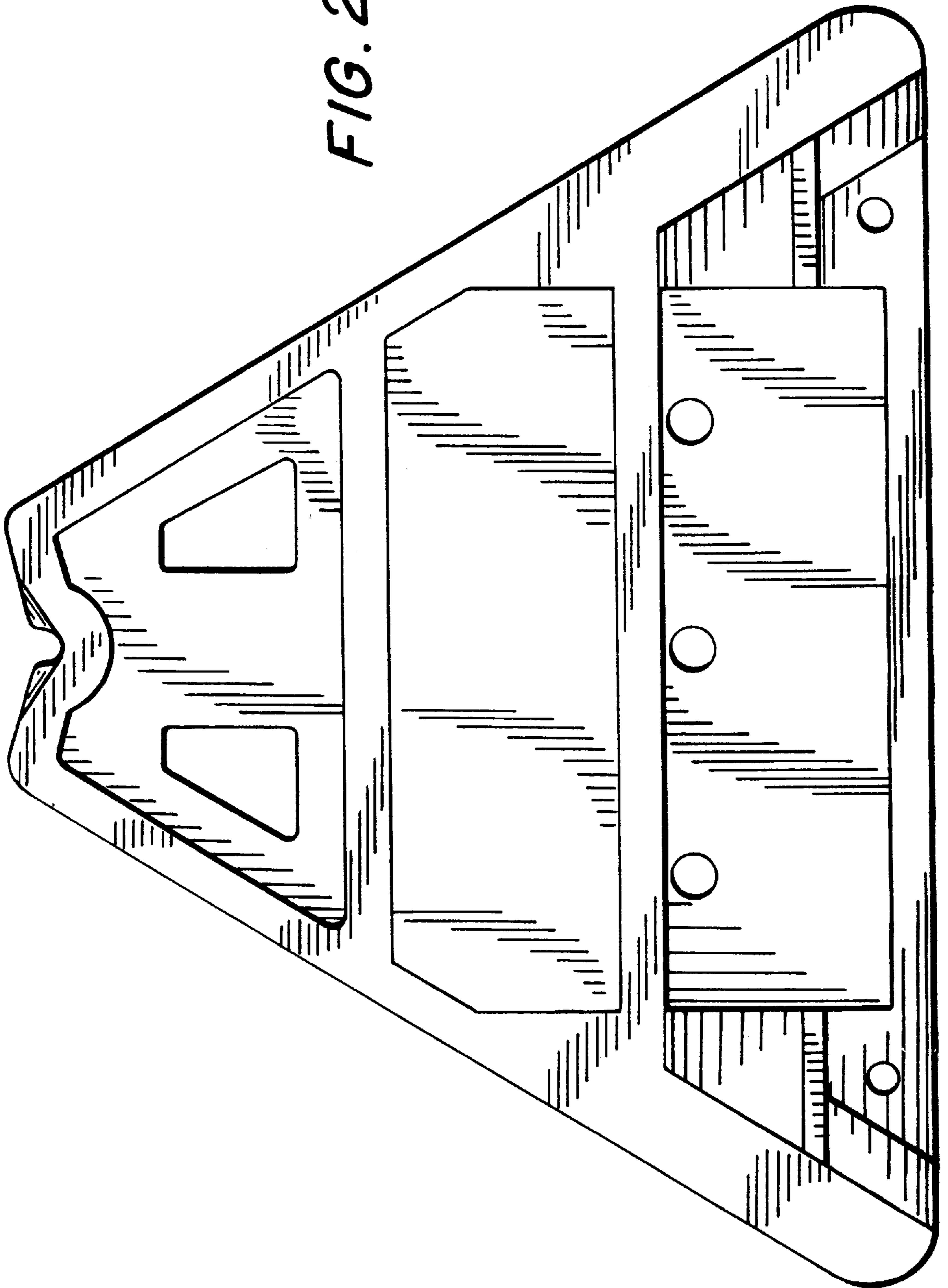


FIG. 2



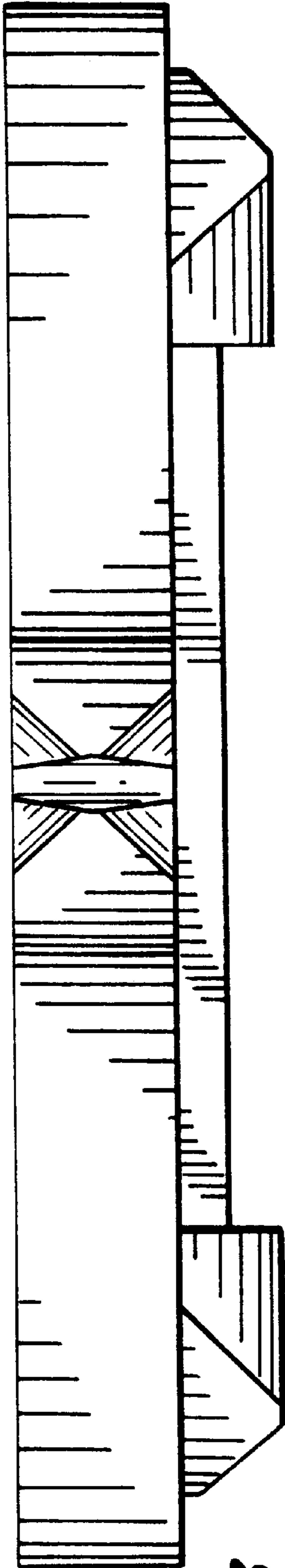


FIG. 3

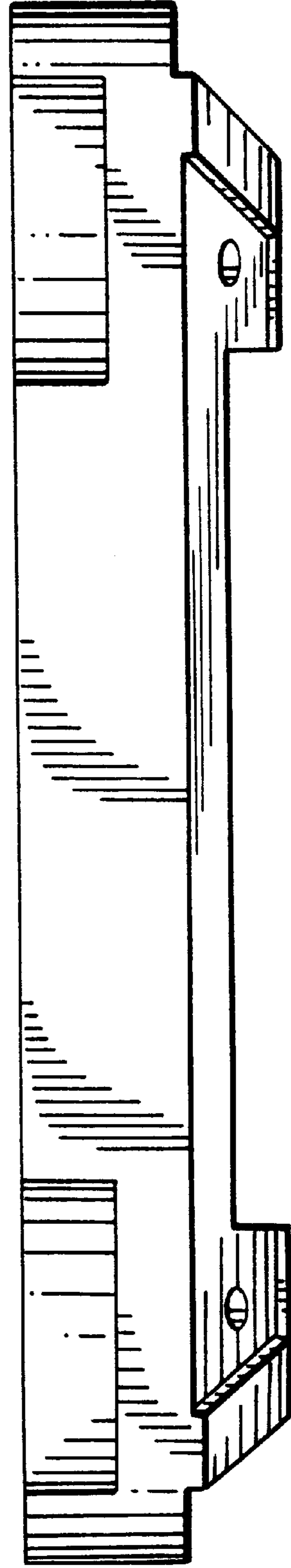


FIG. 4

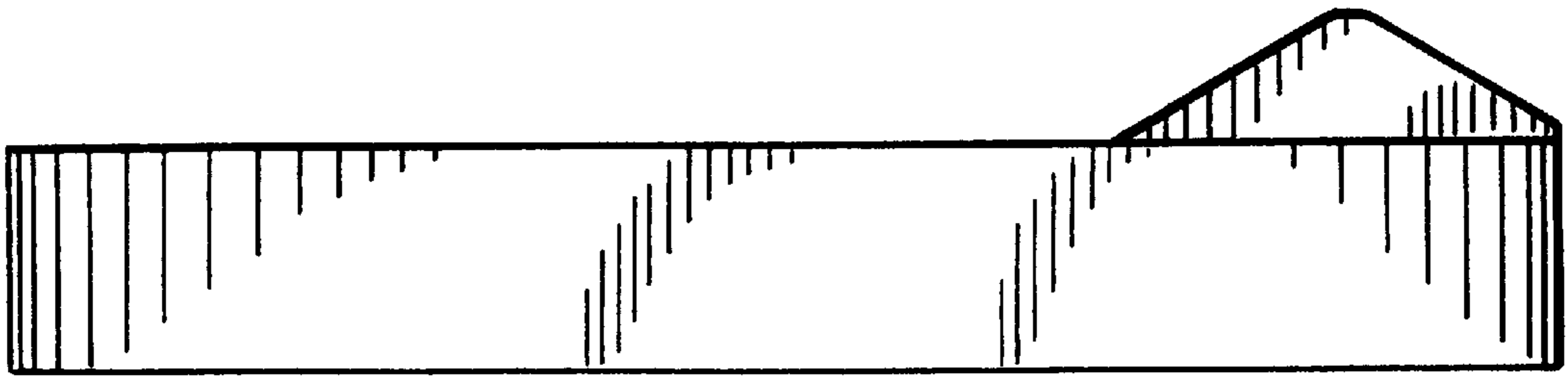


FIG. 5

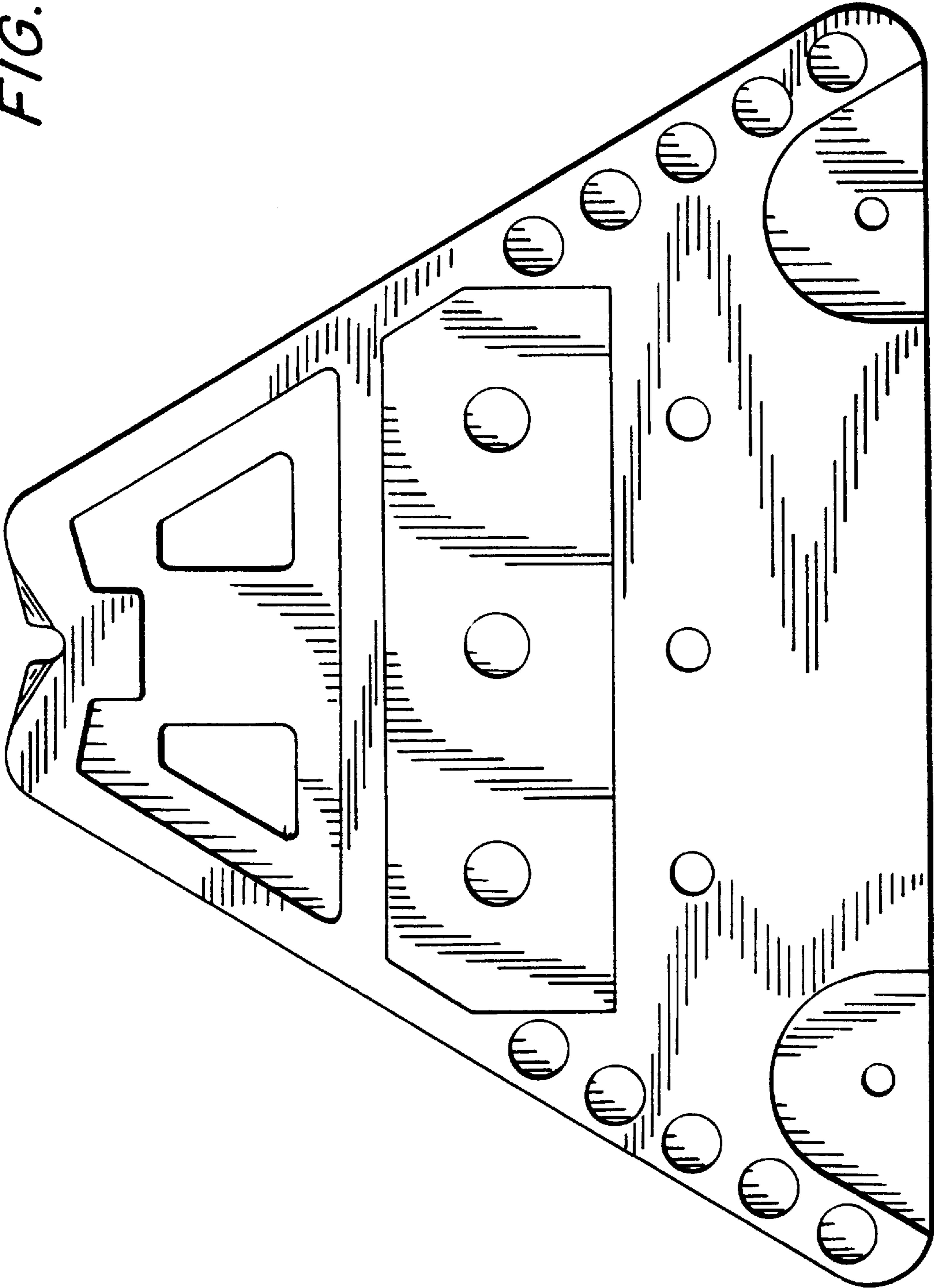


FIG. 6