



US00D410352S

United States Patent [19] Fore

[11] **Patent Number: Des. 410,352**
[45] **Date of Patent: ** Jun. 1, 1999**

[54] **DISPLAY STAND**

D. 391,097 2/1998 Eichert D6/455 X
5,368,263 11/1994 Harrison 248/146

[76] Inventor: **Thomas Arthur Fore**, P.O. Box 339,
Edneyville, N.C. 28727

Primary Examiner—Doris V. Coles
Assistant Examiner—Linda Brooks
Attorney, Agent, or Firm—Joseph T. Guy, Jr.

[**] Term: **14 Years**

[21] Appl. No.: **29/083,634**

[57] **CLAIM**

[22] Filed: **Feb. 13, 1998**

The ornamental design for a display stand, as shown and described.

[51] **LOC (6) Cl.** **06-04**

DESCRIPTION

[52] **U.S. Cl.** **D6/455**

[58] **Field of Search** D6/455, 403, 449,
D6/475, 486, 495; 108/150, 161; 52/721.2,
736.1; 211/1, 13.1; 248/27.8, 146, 152,
174, 188.1; D11/140, 131, 142, 145, 164,
155; D30/101, 106; D9/341, 347; D25/128

FIG. 1 is a top and front perspective view of a display stand showing my new design, the rear view being a mirror image thereof.

FIG. 2 is a top and front exploded perspective of my new design, the rear view being a mirror image thereof.

FIG. 3 is a right side elevation view of a display stand showing my new design, the rear view being a mirror image thereof.

FIG. 4 is a top plan view thereof; and,

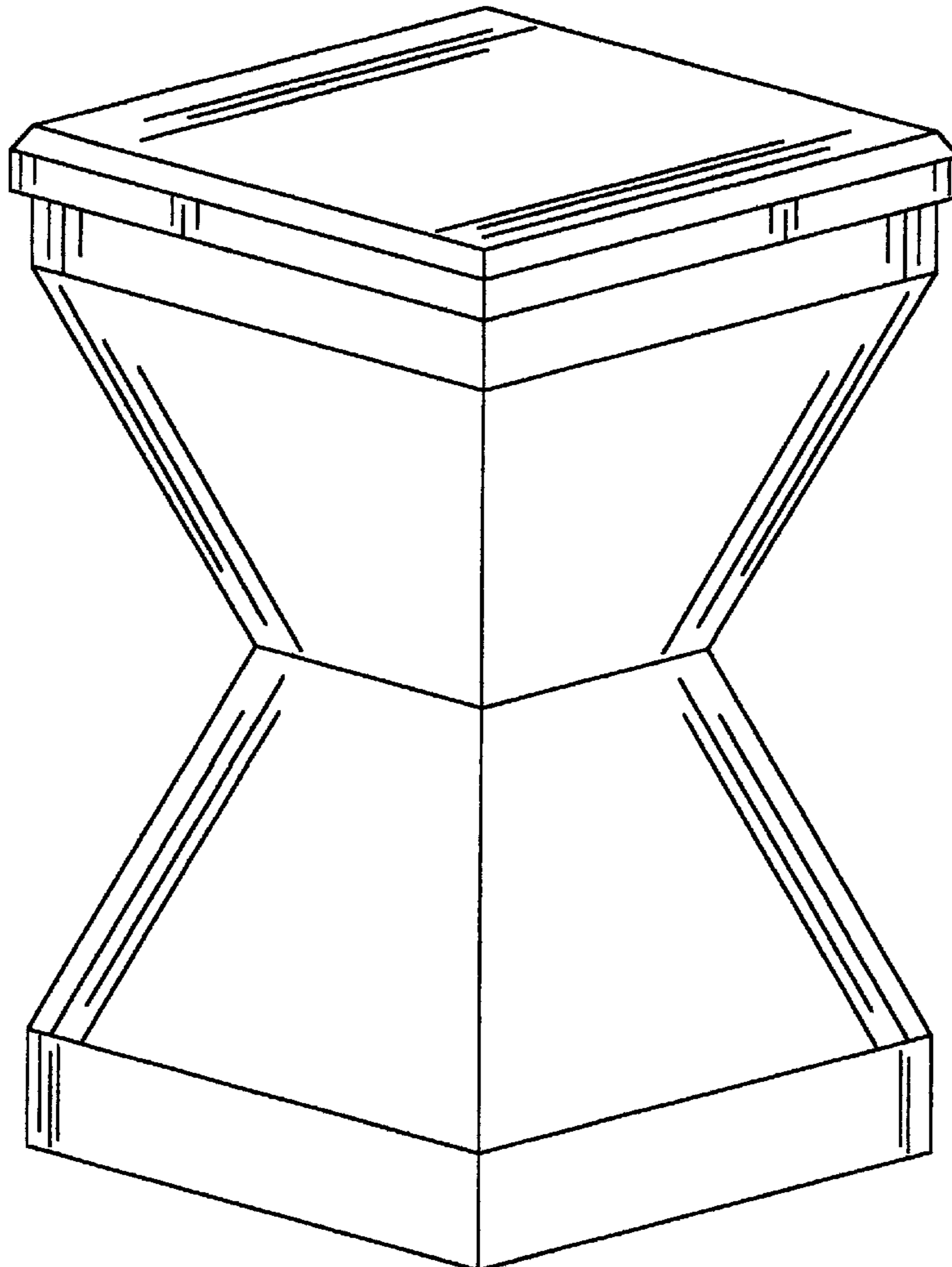
FIG. 5 is a bottom plan view thereof.

[56] **References Cited**

U.S. PATENT DOCUMENTS

D. 160,674 10/1950 Waltz D6/455
D. 288,527 3/1987 Maguire D9/341
D. 324,140 2/1992 Kuntz D6/455
D. 342,843 1/1994 Kuntz D6/455

1 Claim, 4 Drawing Sheets



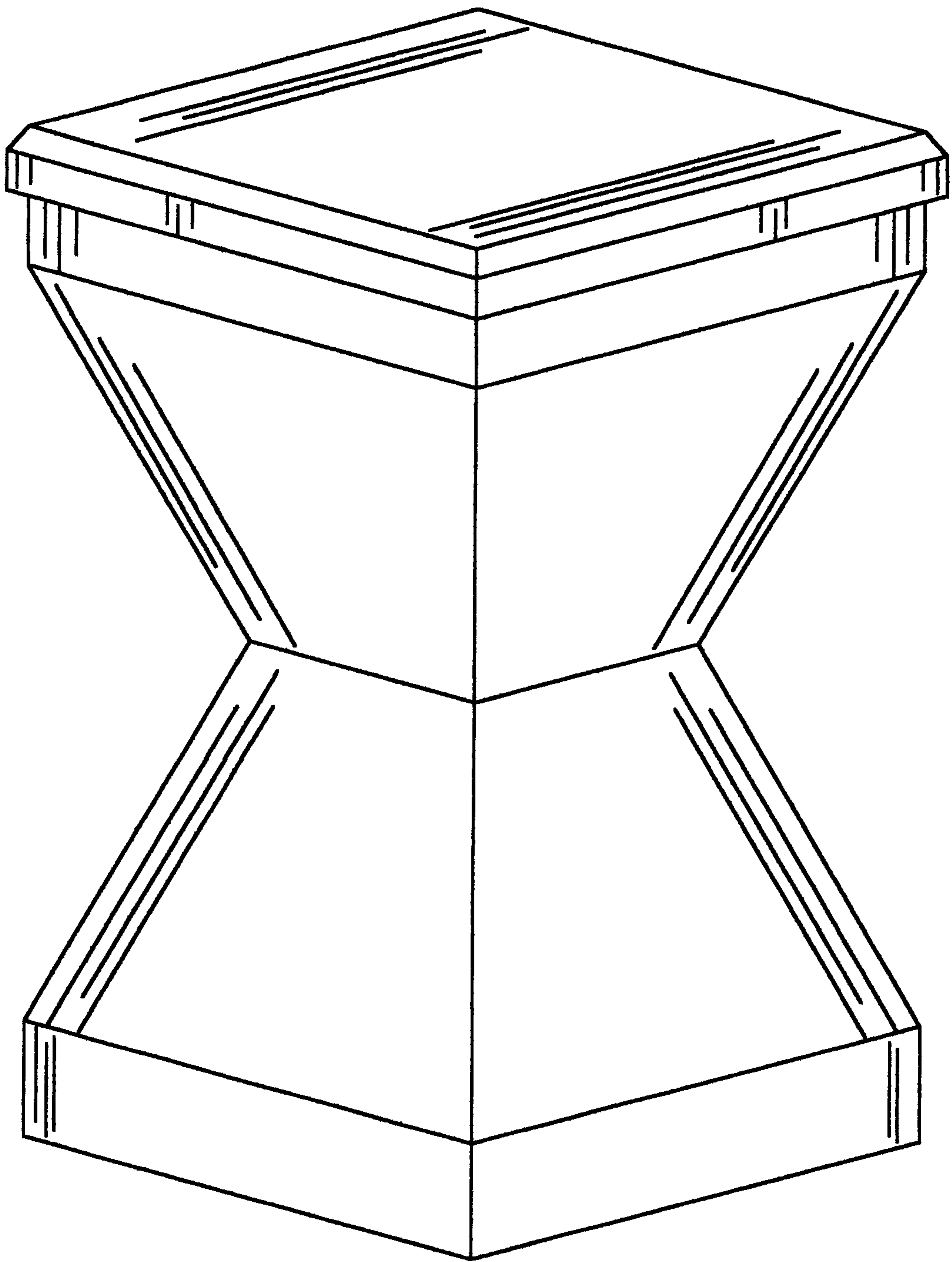


FIG. 1

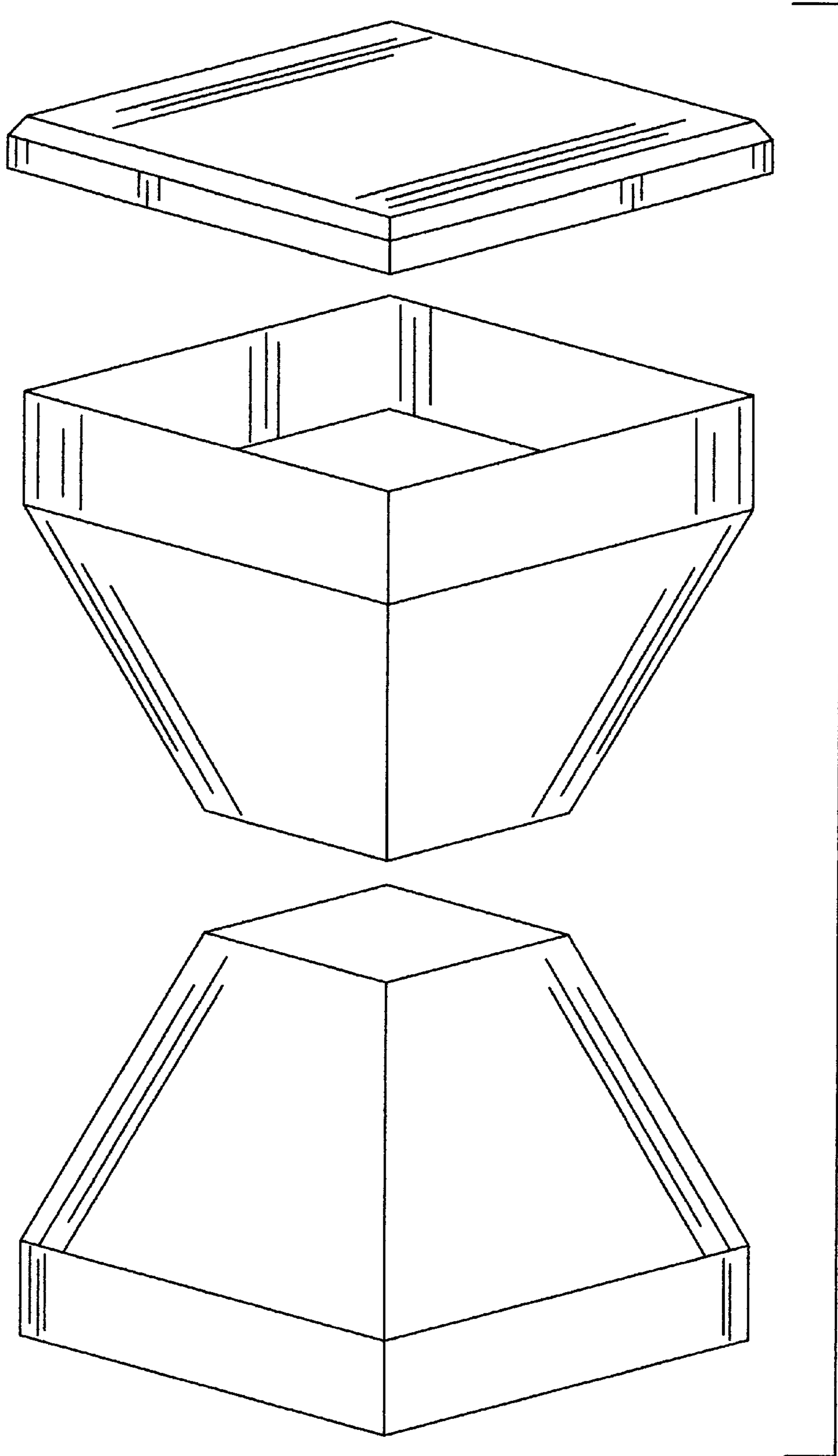


FIG. 2

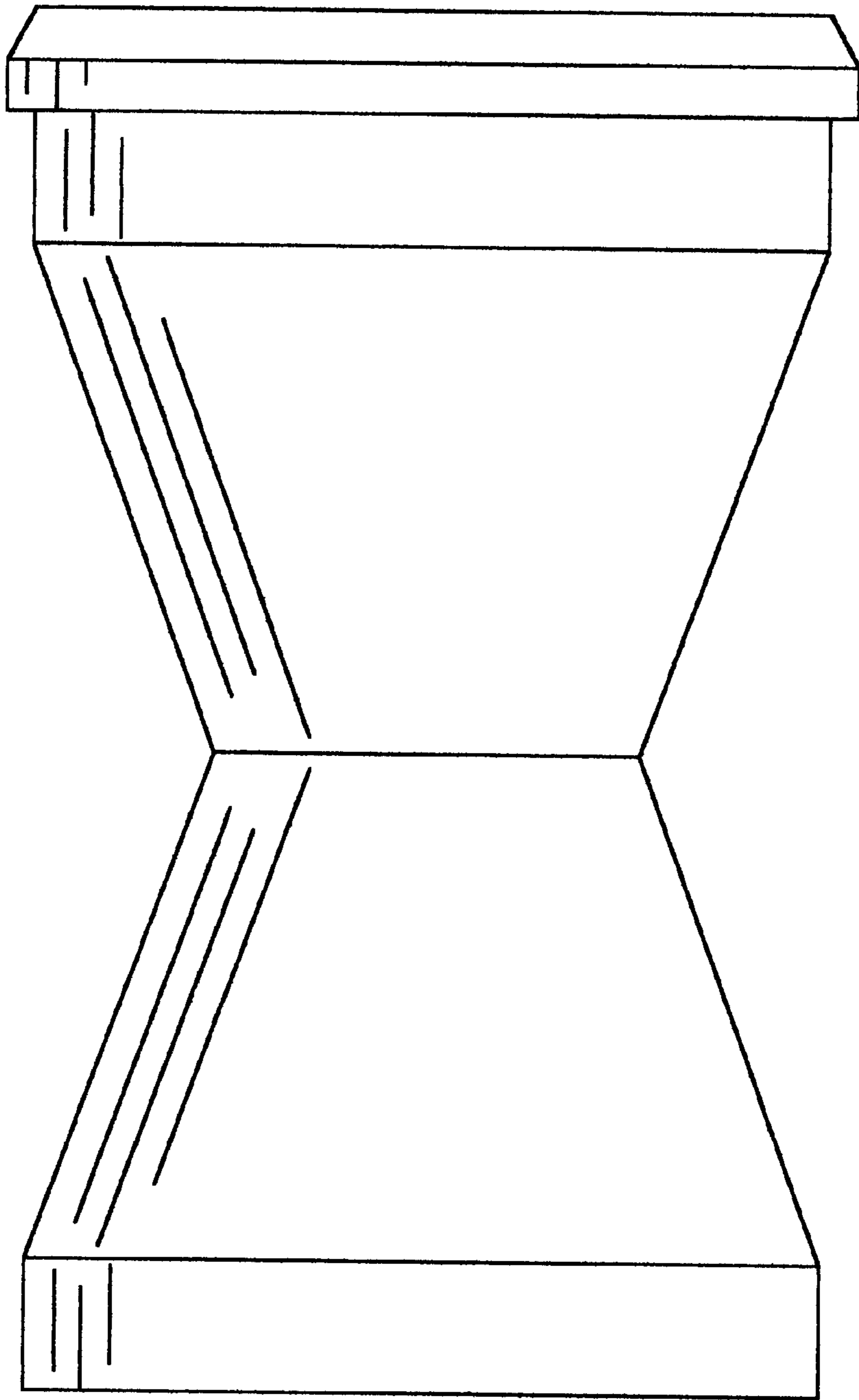


FIG. 3

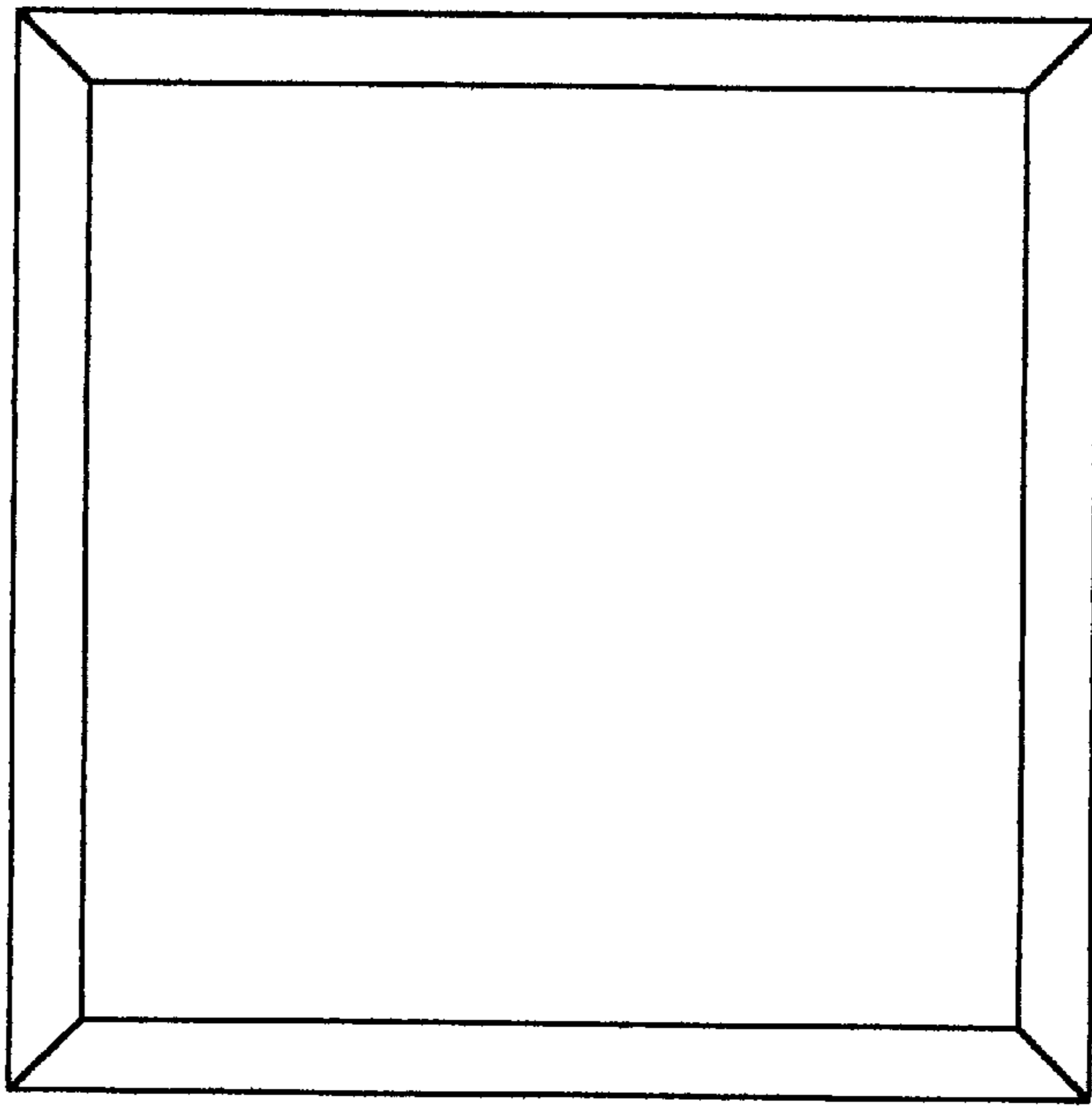


FIG. 4

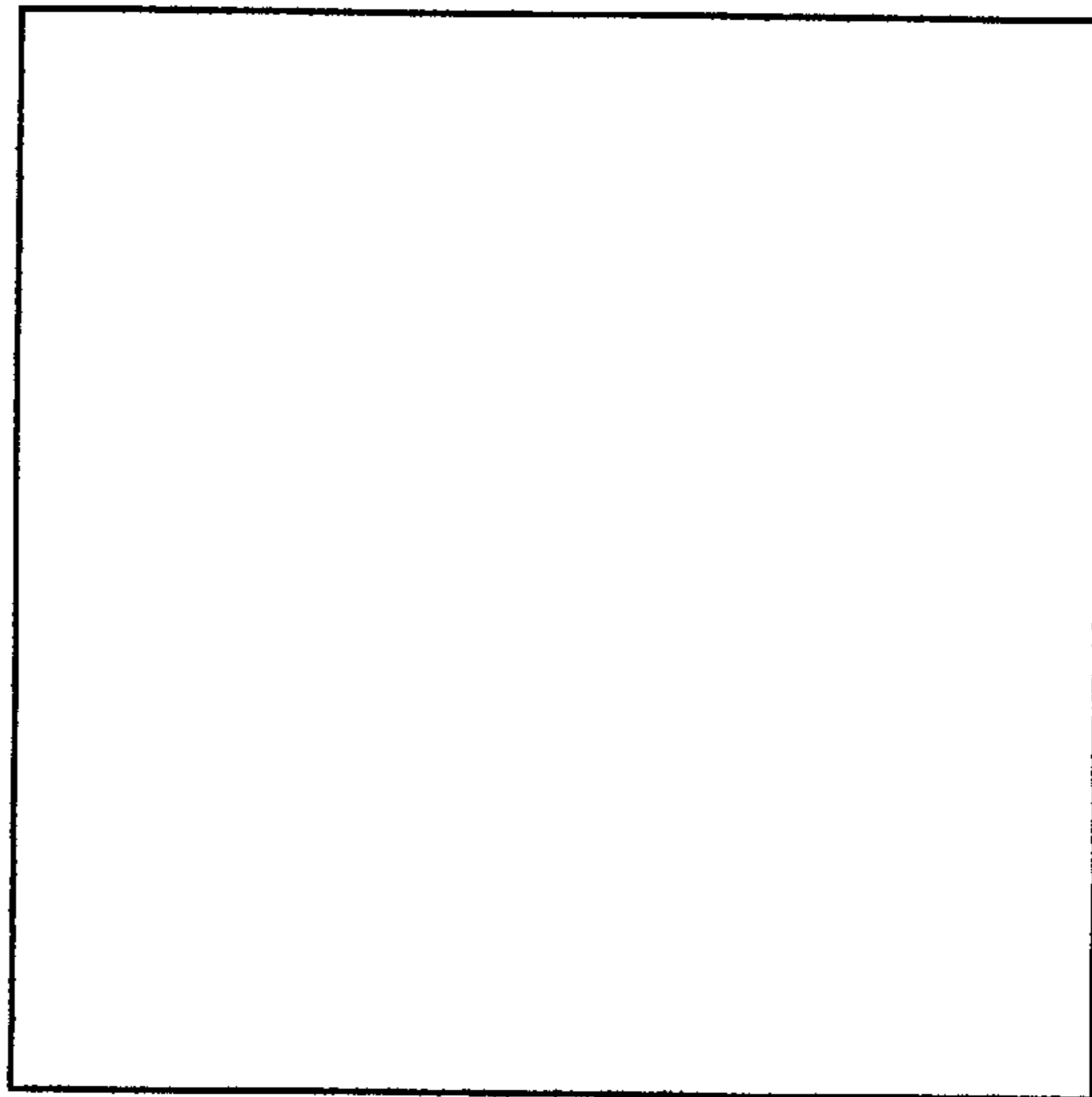


FIG. 5