



US00D410350S

United States Patent [19] Stangl

[11] **Patent Number: Des. 410,350**
[45] **Date of Patent: ** Jun. 1, 1999**

[54] **CHEST-TABLE**

- [75] Inventor: **Sandra Stangl**, Sausalito, Calif.
- [73] Assignee: **Williams-Sonoma, Inc.**, San Francisco, Calif.
- [**] Term: **14 Years**
- [21] Appl. No.: **29/077,242**
- [22] Filed: **Sep. 30, 1997**
- [51] **LOC (6) Cl.** **06-04**
- [52] **U.S. Cl.** **D6/440**
- [58] **Field of Search** D6/432-448; D3/272,
D3/273, 294; 312/204, 290, 327; 217/56,
57

[56] **References Cited**

U.S. PATENT DOCUMENTS

D. 70,897	8/1926	Purchas	D3/294
D. 71,406	11/1926	Purchas	D3/294
D. 144,017	3/1946	Abbott	D6/440
D. 173,200	10/1954	Goodhue	D3/272 X
D. 174,886	5/1955	Petker	D3/272
D. 182,332	3/1958	Freedman	D6/443
D. 307,985	5/1990	Hoff	D6/440

OTHER PUBLICATIONS

Yield House,p. 12; the blanket chest center of page, Dec. 1978.
 Yield House,Summer 1991,p. 17; shaker blanket chests top left on page, 1991.
 This End Up,p. 25; item E storage chest bottom right on top of page, Jul. 1995.
 Pottery Barn,p. 17; table chest on page. Aug, 1997.
Primary Examiner—Carmen H. Vales-Lado
Attorney, Agent, or Firm—Janis Biksa; Owen, Wickersham & Erickson, P.C.

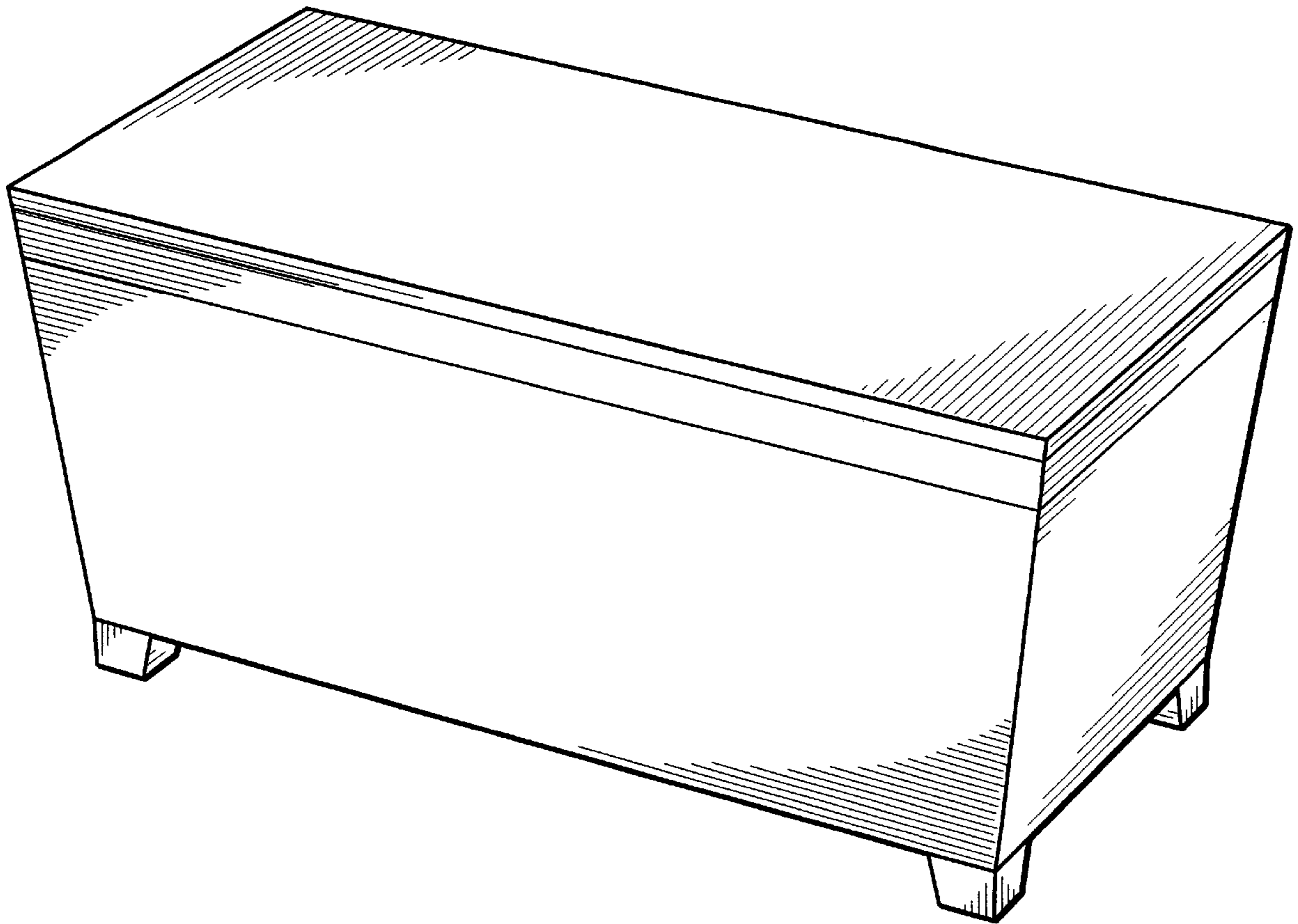
[57] **CLAIM**

The ornamental design for a chest-table, as shown and described.

DESCRIPTION

FIG. 1 is a perspective view of a chest-table showing my new design;
 FIG. 2 is a front elevational view thereof;
 FIG. 3 is a right side elevational view, the left side being identical thereto;
 FIG. 4 is a rear elevational view thereof;
 FIG. 5 is a top plan view thereof; and,
 FIG. 6 is a bottom plan view thereof.

1 Claim, 3 Drawing Sheets



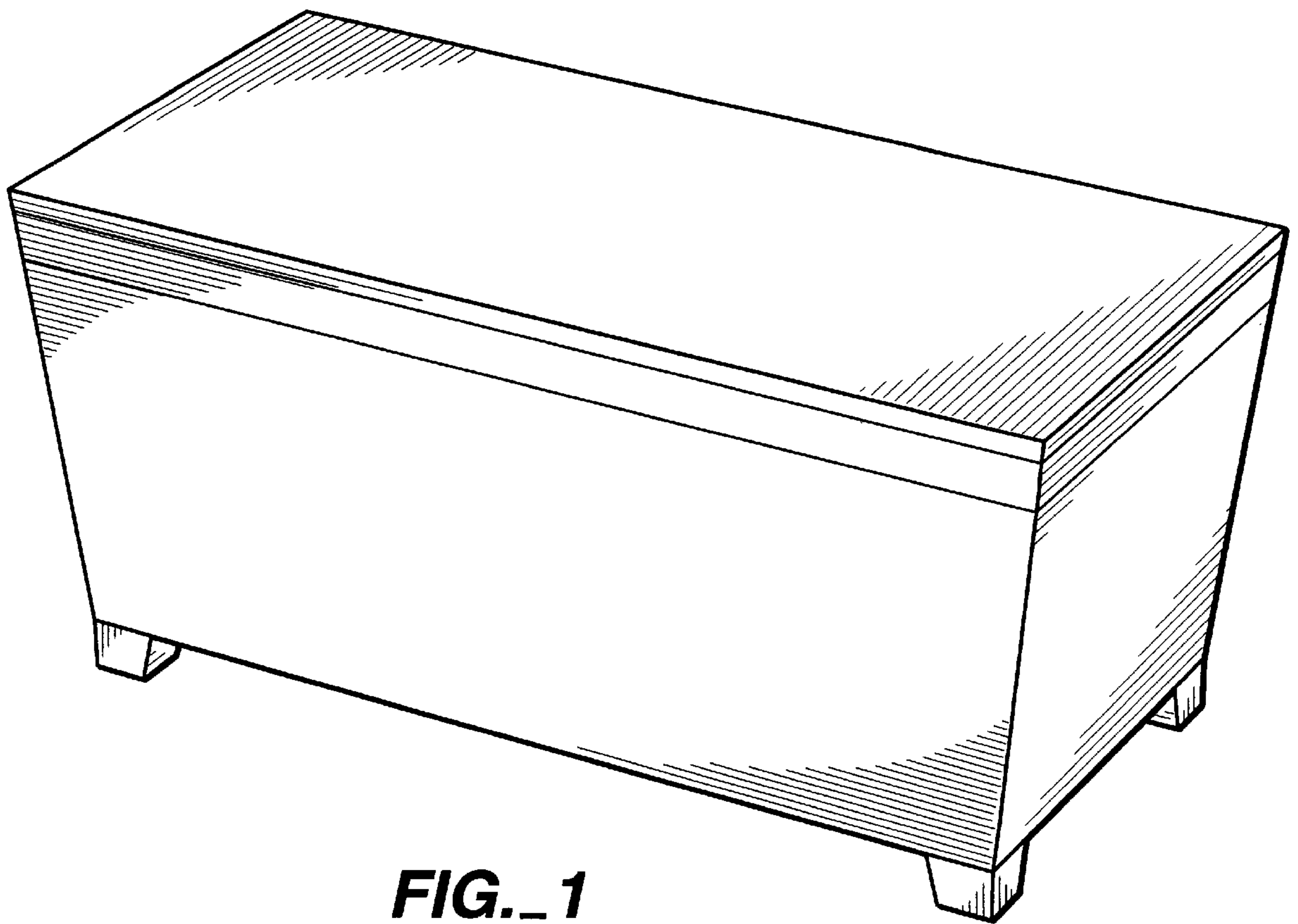


FIG. 1

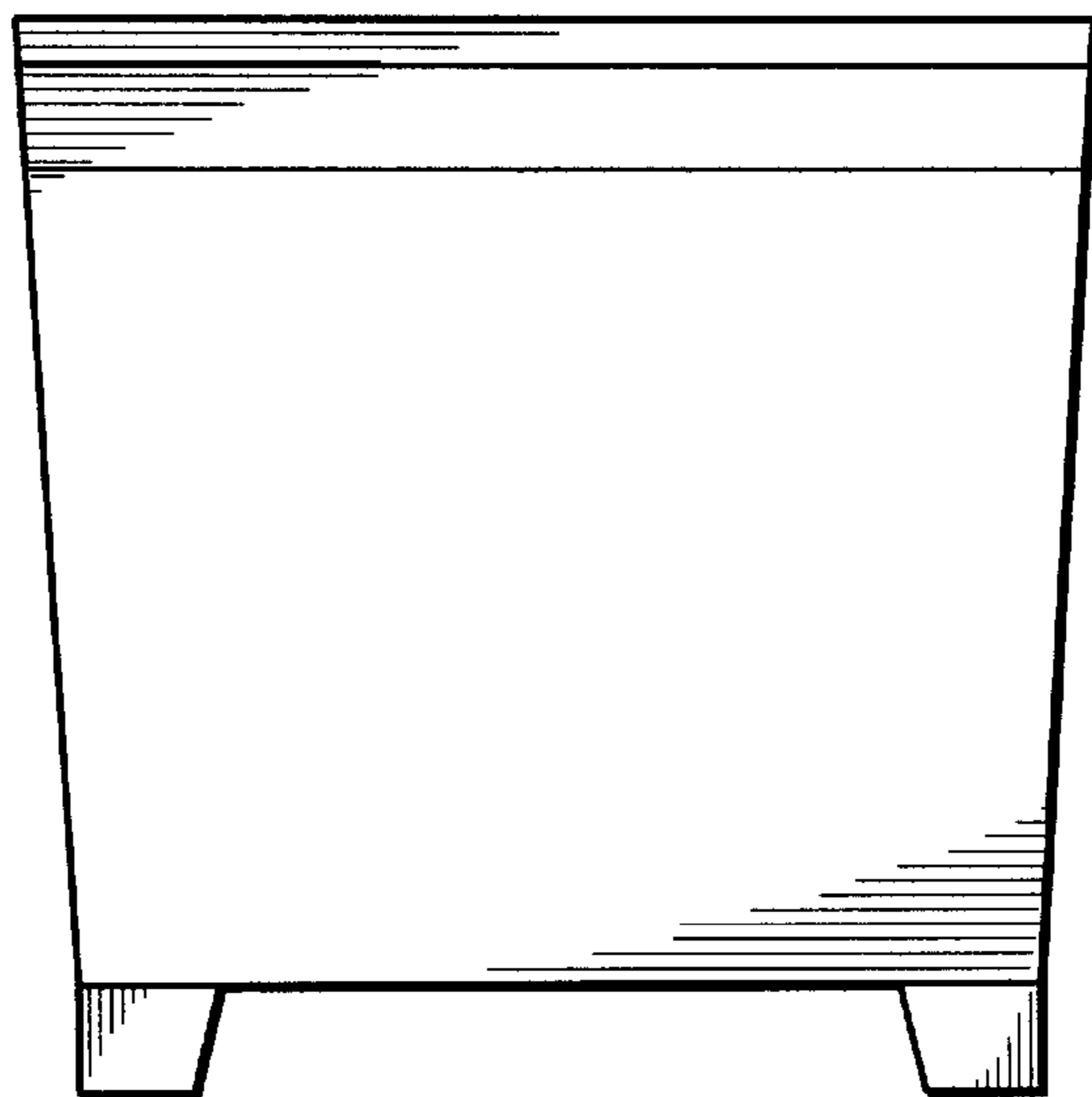


FIG. 3

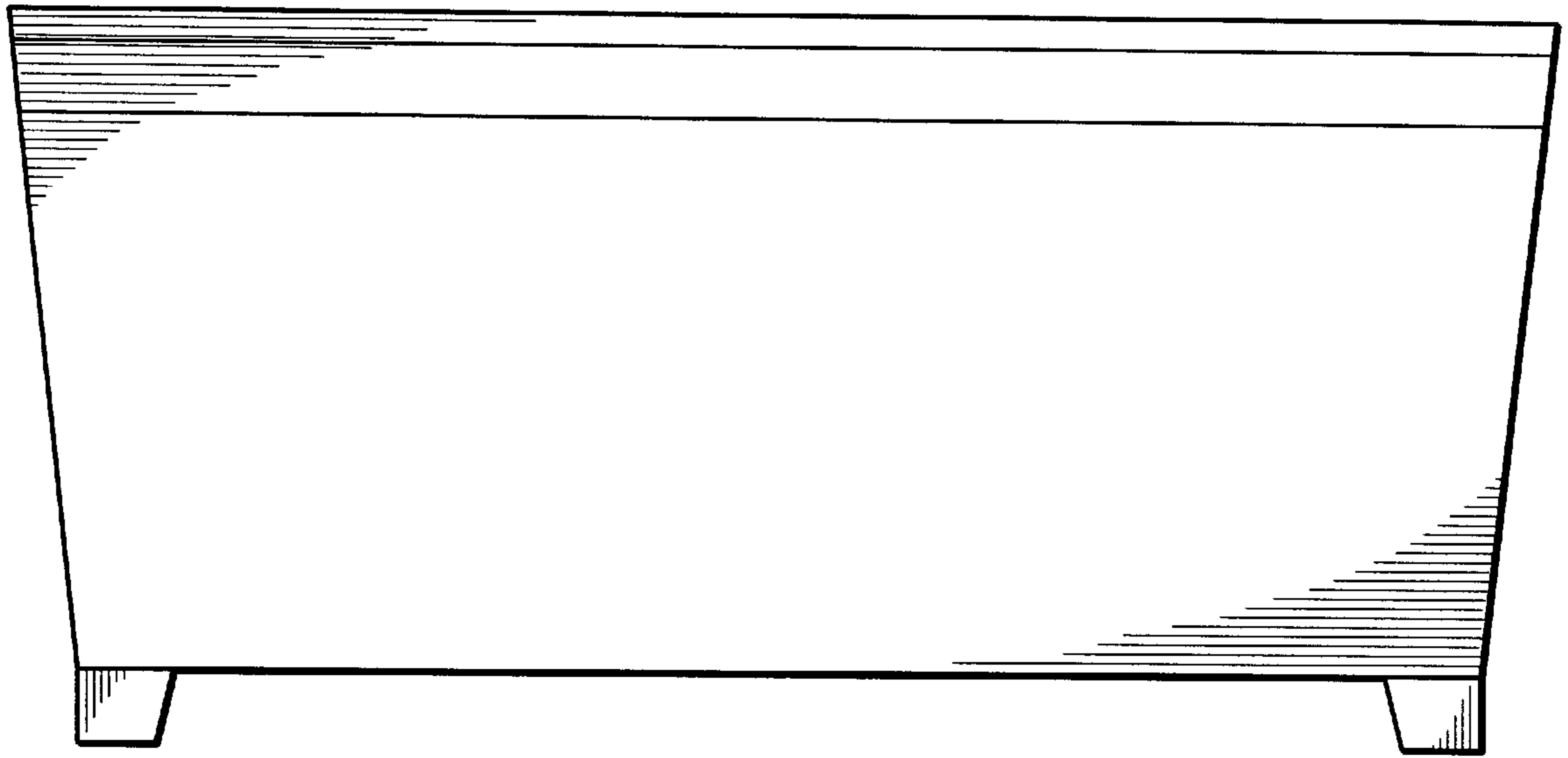


FIG._2

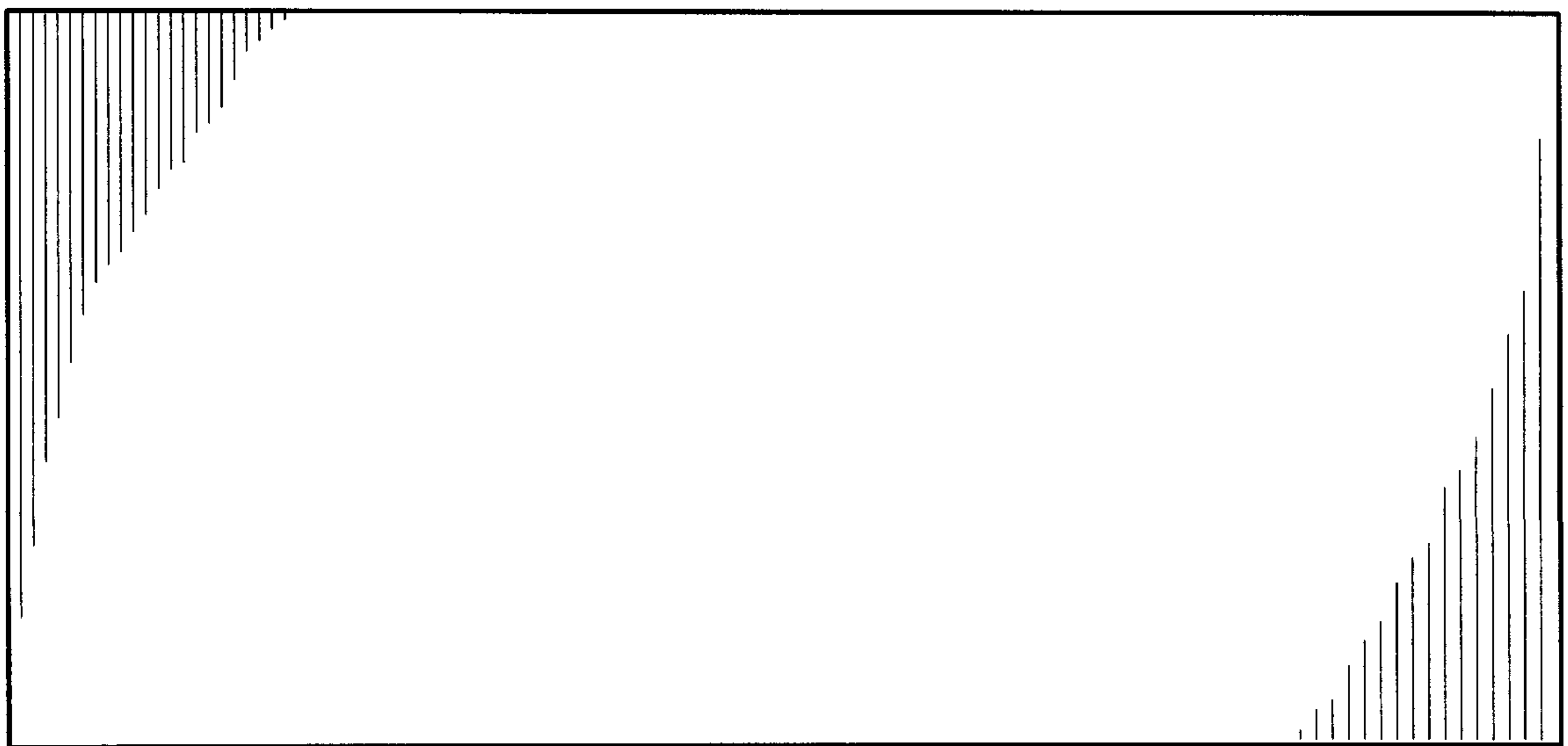


FIG._5

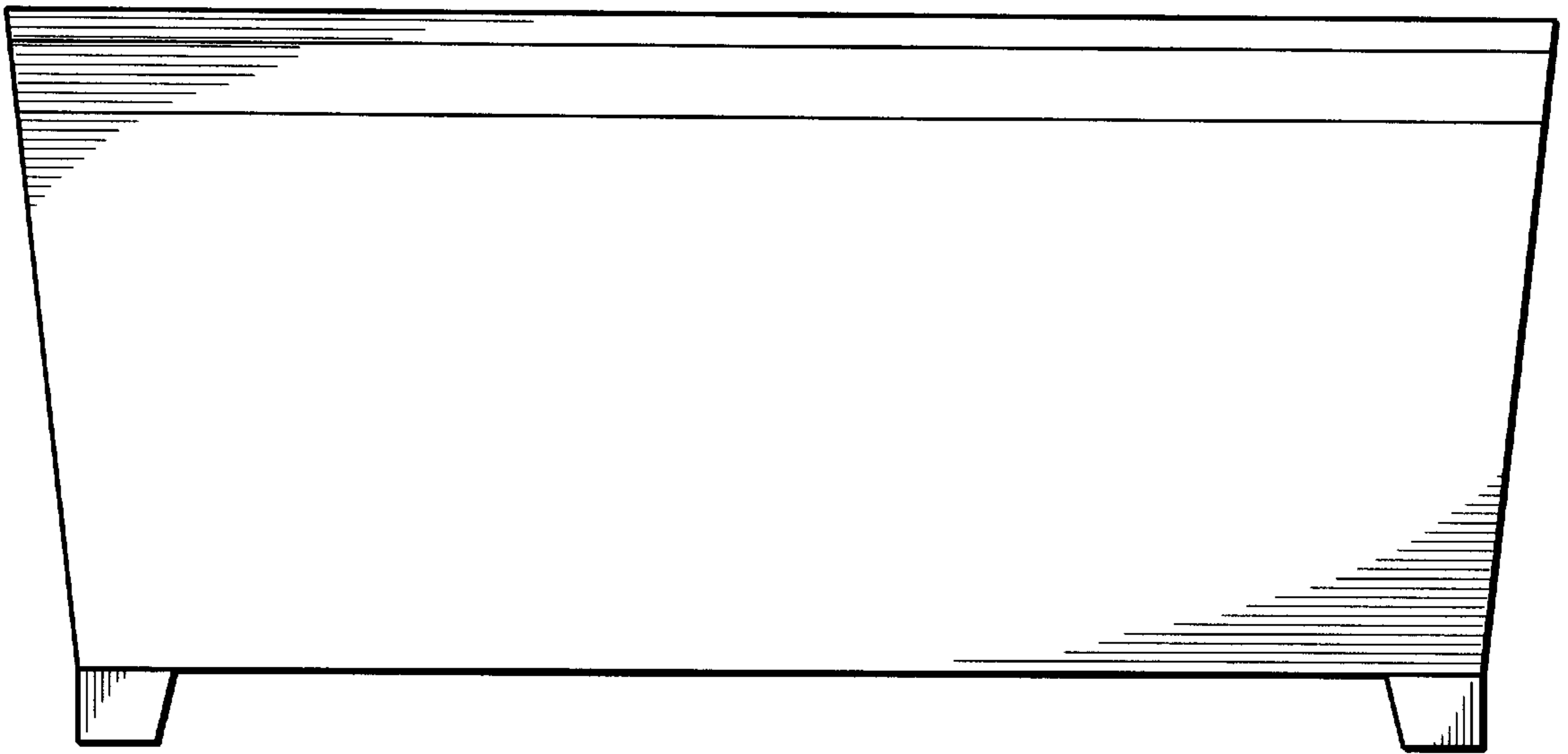


FIG._4

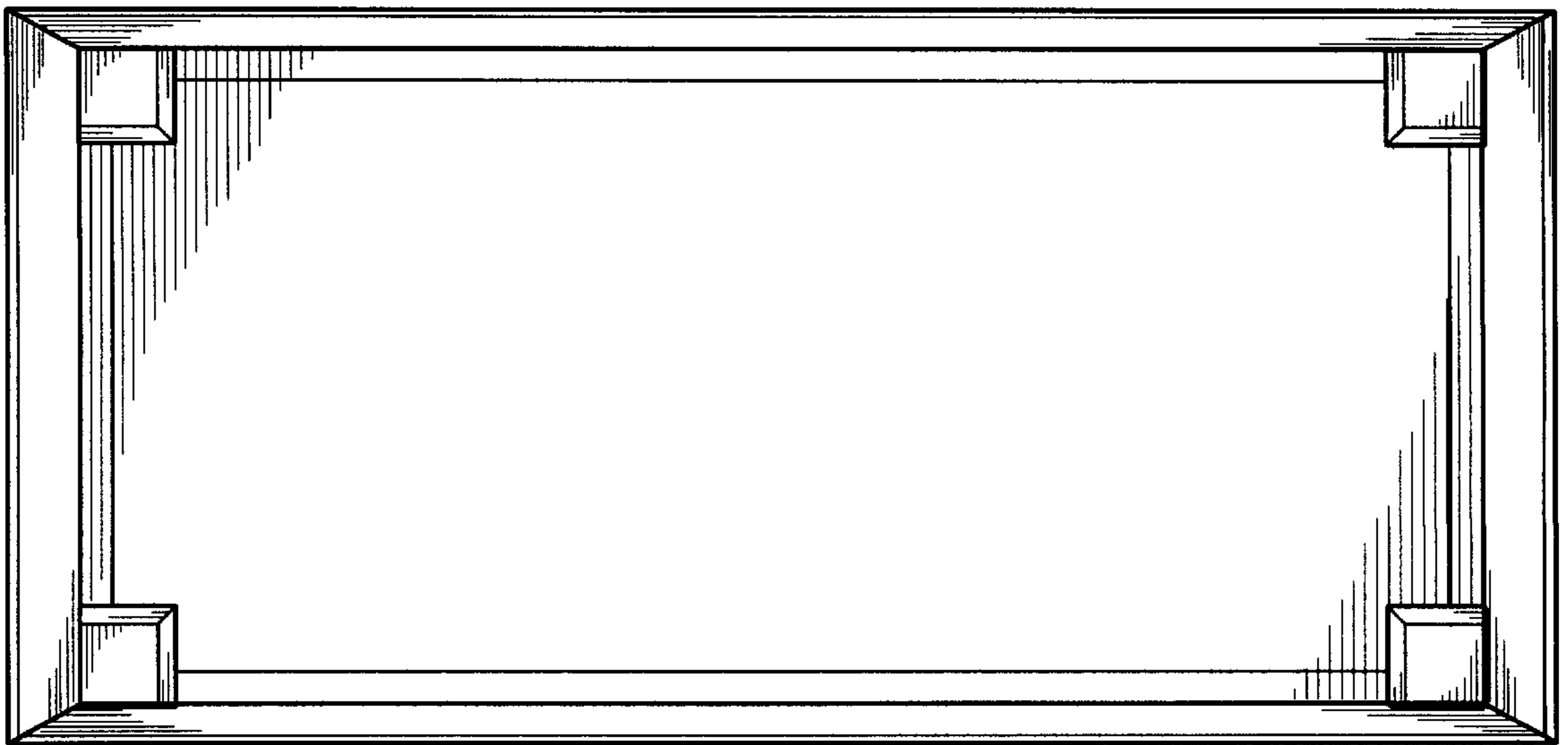


FIG._6