



US00D410343S

United States Patent [19] Stead

[11] **Patent Number: Des. 410,343**
[45] **Date of Patent: ** Jun. 1, 1999**

[54] **STOOL**
[76] **Inventor: David L. Stead, 326 Greenbriar
Townhouse Way, Las Vegas, Nev. 89121**
[**] **Term: 14 Years**
[21] **Appl. No.: 29/090,774**
[22] **Filed: Jul. 15, 1998**

D. 150,886 9/1948 Ross D6/374
D. 247,596 3/1978 Hashimoto D6/374 X
D. 267,449 1/1983 Staton D6/374
D. 350,030 8/1994 Abrams D6/335
D. 357,817 5/1995 Willens D6/374

Primary Examiner—Gary D. Watson
Attorney, Agent, or Firm—Quirk & Tratos

Related U.S. Application Data

[63] Continuation-in-part of application No. 29/075,748, Aug. 22, 1997, Pat. No. Des. 398,453.
[51] **LOC (6) Cl. 06-01**
[52] **U.S. Cl. D6/380; D6/368; D6/374**
[58] **Field of Search D6/334, 335, 368,
D6/374, 379, 380, 500, 501, 502; 297/440.1,
445.1**

[57] CLAIM

The ornamental design for a chair, as shown and described.

DESCRIPTION

FIG. 1 is a top perspective view of the chair of the present invention;
FIG. 2 is a top view of the chair;
FIG. 3 is a left side view of the chair, the right side being a mirror image thereof;
FIG. 4 is a bottom view of the chair;
FIG. 5 is a front view of the chair; and,
FIG. 6 is a rear view of the chair.
FIGS. 2 through 6 have been shown on a reduced scale with respect to FIG. 1.

[56] References Cited U.S. PATENT DOCUMENTS

D. 145,788 10/1946 Gass D6/374

1 Claim, 4 Drawing Sheets

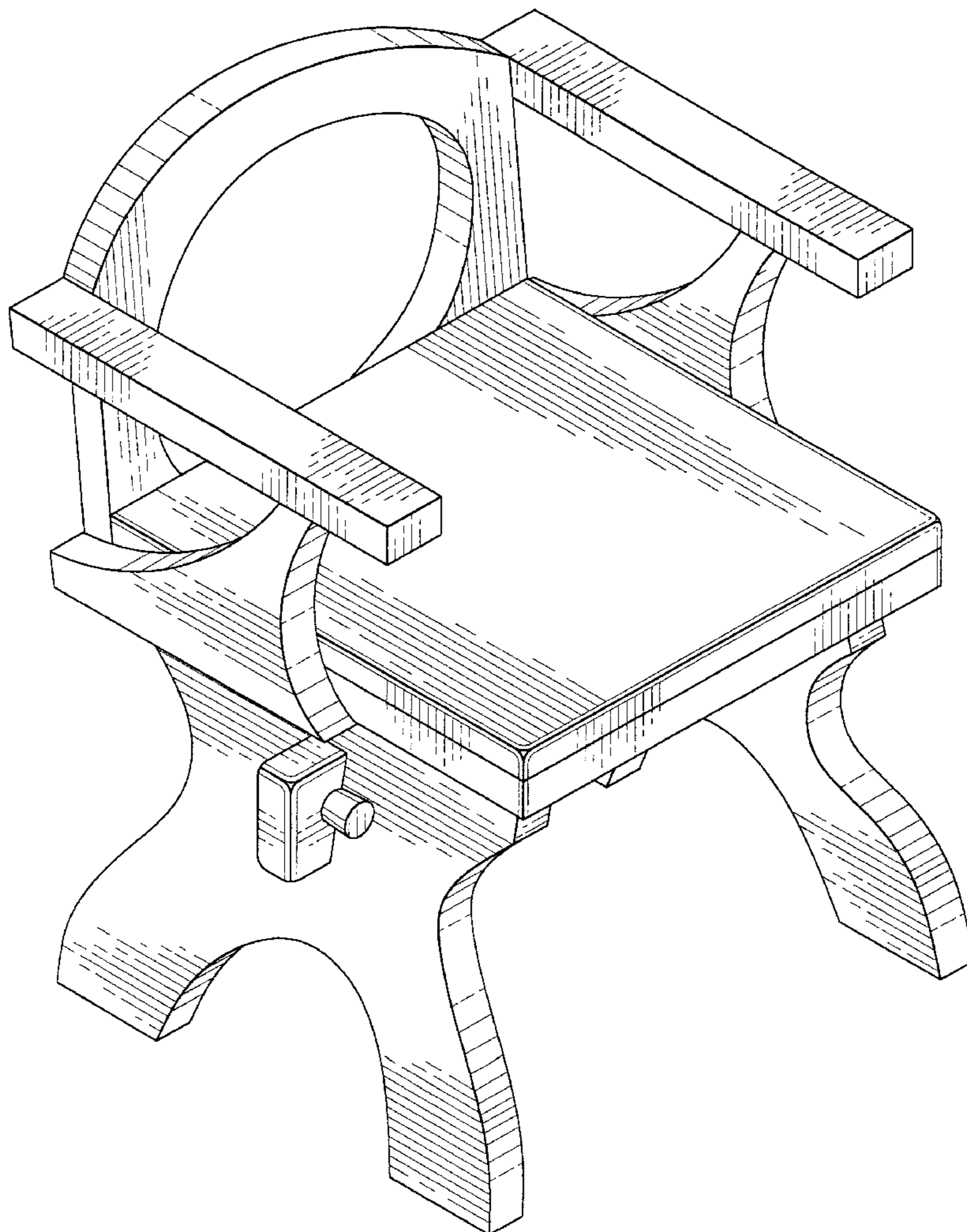


FIG. 1

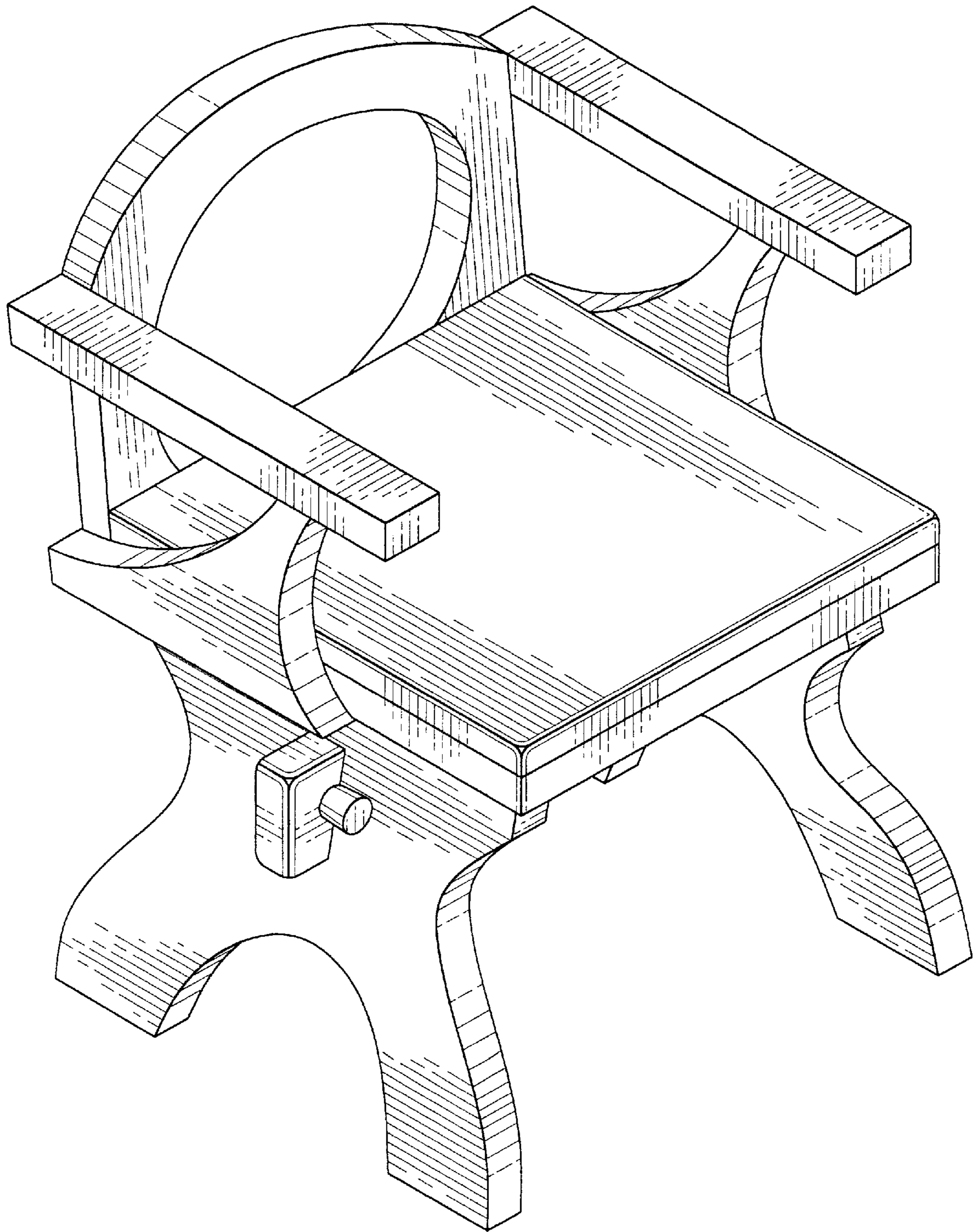


FIG. 2

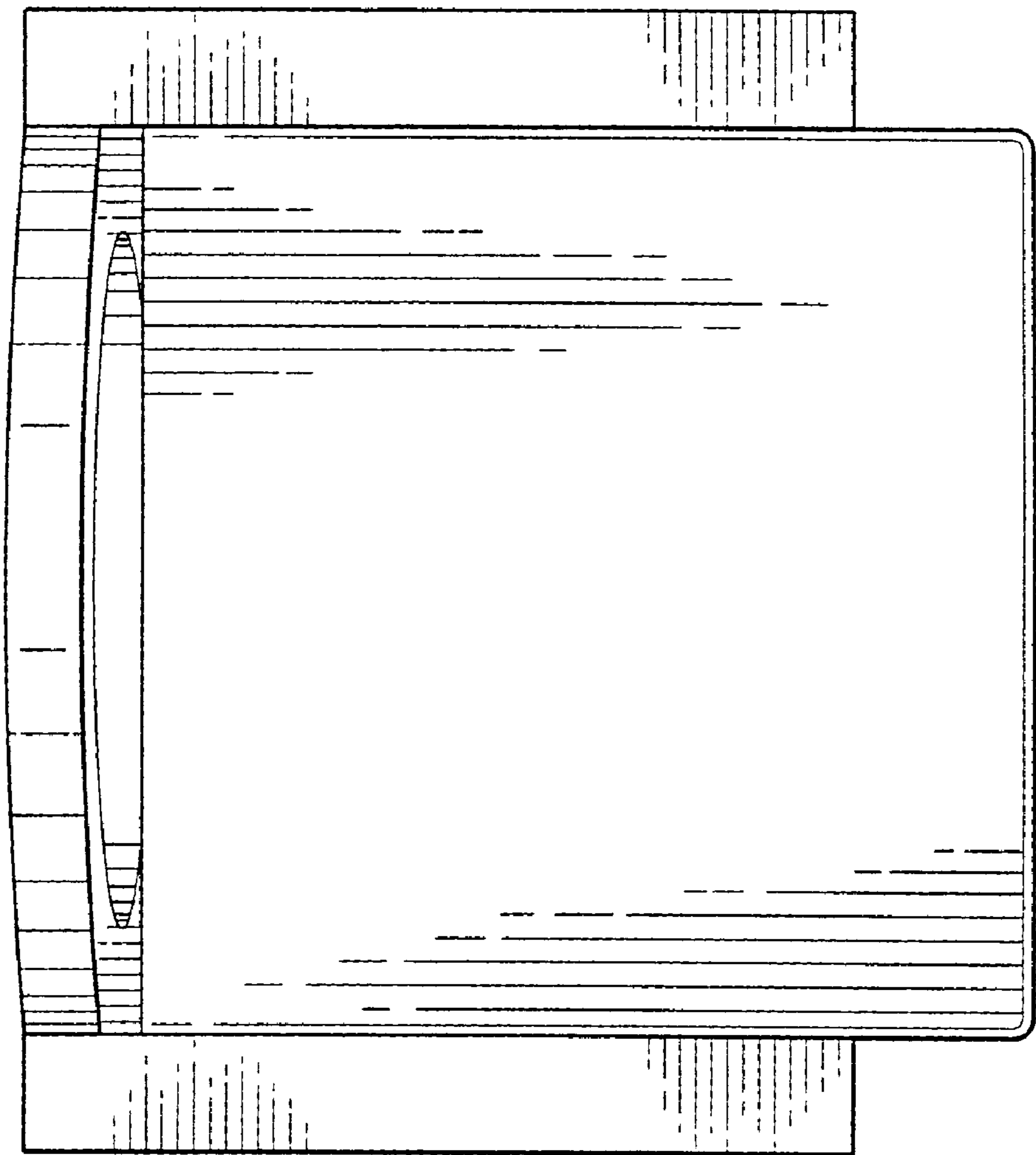


FIG. 3

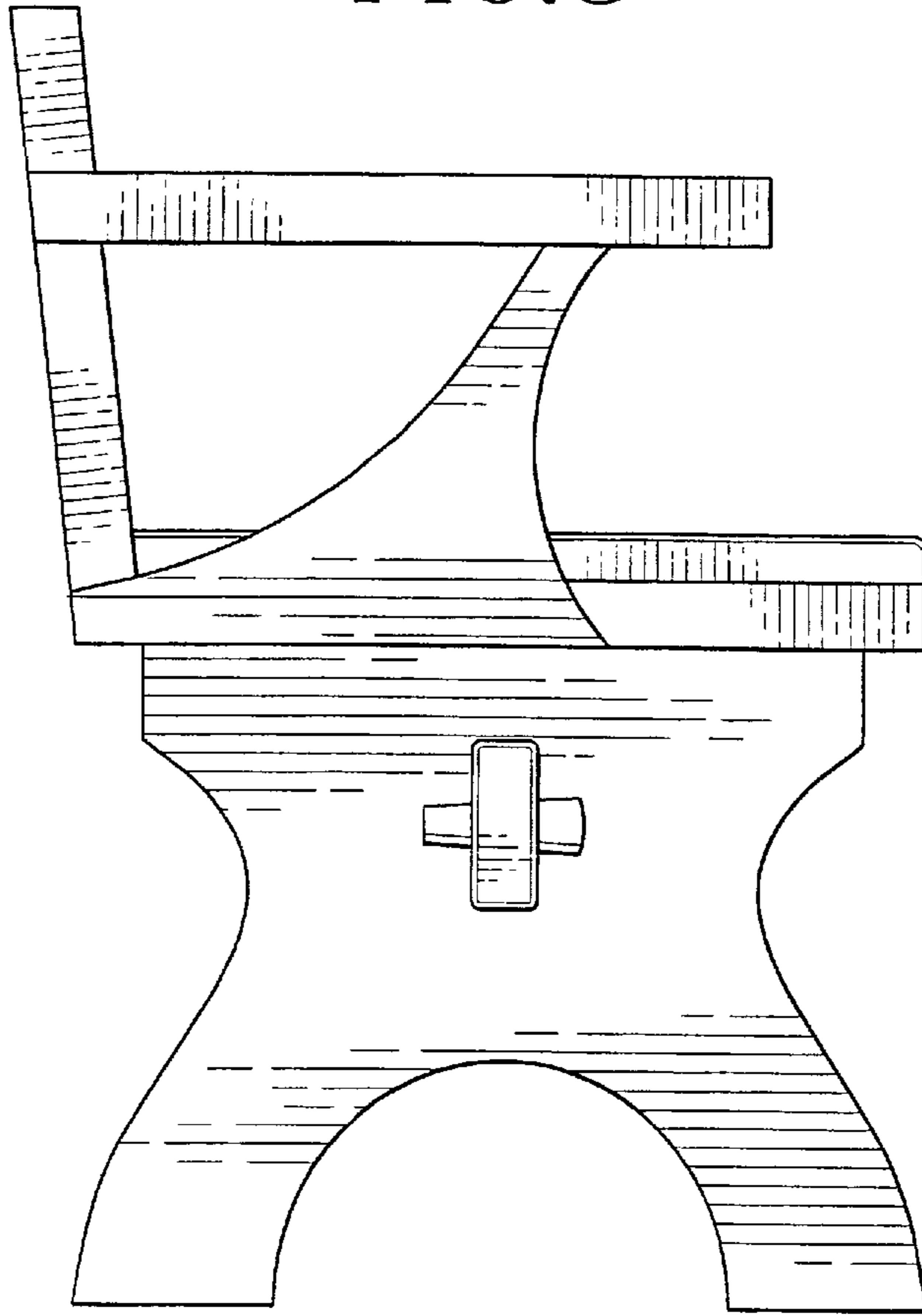


FIG. 4

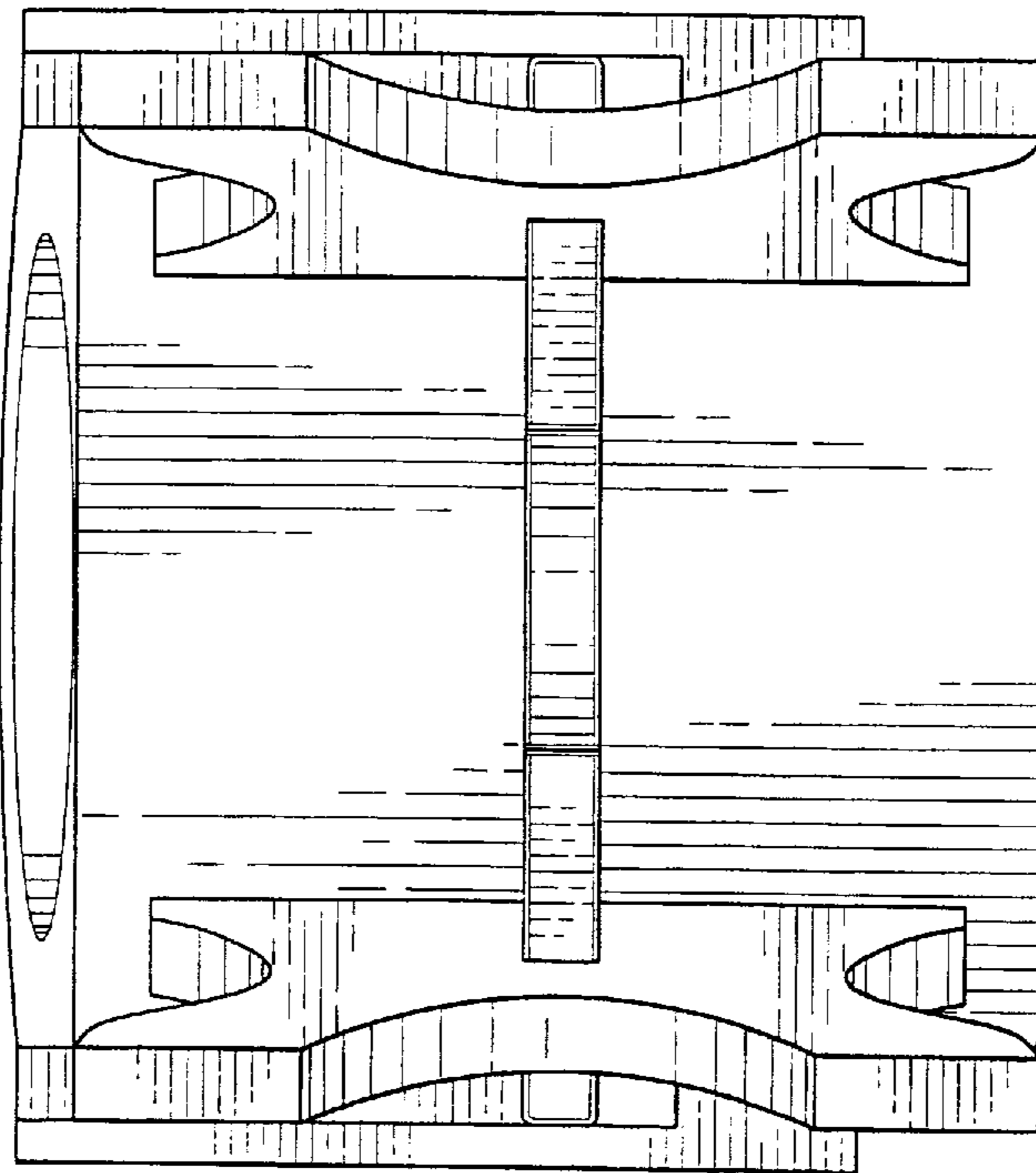


FIG. 6

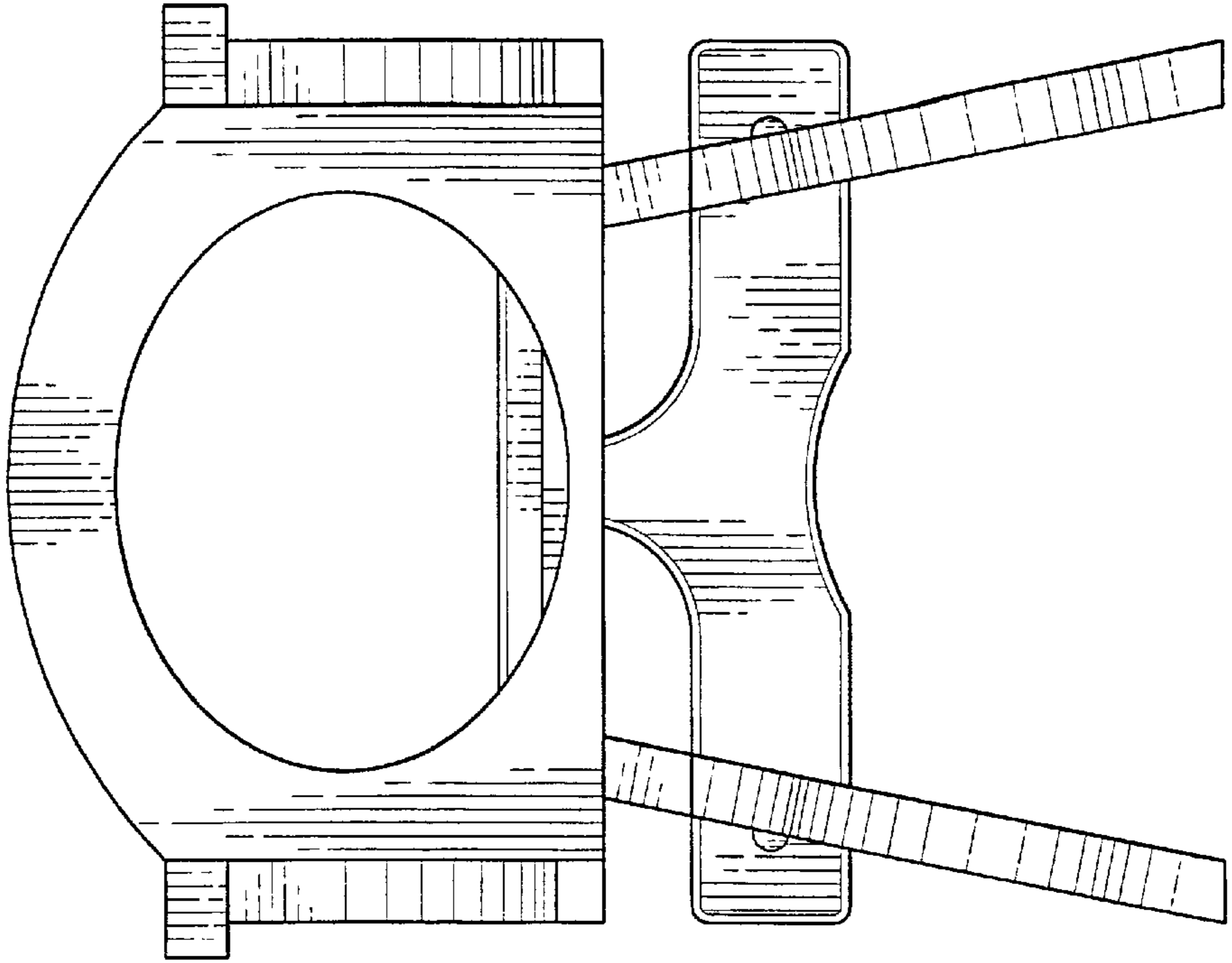


FIG. 5

