



US00D410342S

**United States Patent** [19]  
**Dammermann et al.**

[11] **Patent Number: Des. 410,342**  
[45] **Date of Patent: \*\* Jun. 1, 1999**

[54] **SEATING UNIT**

[75] Inventors: **Arnold B. Dammermann**, Grand Rapids, Mich.; **Michael L. Deimen**, Burluson, Tex.

[73] Assignee: **Steelcase Inc.**, Grand Rapids, Mich.

[\*\*] Term: **14 Years**

[21] Appl. No.: **29/093,041**

[22] Filed: **Sep. 2, 1998**

**Related U.S. Application Data**

[62] Division of application No. 29/060,535, Sep. 30, 1996, Pat. No. Des. 404,229, which is a division of application No. 29/035,345, Feb. 17, 1995, Pat. No. Des. 383,323.

[51] **LOC (6) Cl.** ..... **06-01**

[52] **U.S. Cl.** ..... **D6/366**

[58] **Field of Search** ..... D6/334, 364, 365, D6/366, 367, 379, 500, 501, 502; 297/411.2, 411.36

[56] **References Cited**

**U.S. PATENT DOCUMENTS**

- D. 185,849 8/1959 Christenson et al. .
- D. 236,173 8/1975 Ruf .
- D. 296,624 7/1988 Bellini .
- D. 299,799 2/1989 Muller-Deisig et al. .
- D. 306,531 3/1990 Snodgrass .
- D. 309,383 7/1990 Muller-Deisig et al. .
- D. 311,286 10/1990 Muller-Deisig et al. .
- D. 312,003 11/1990 Muller-Deisig et al. .
- D. 312,536 12/1990 Muller-Deisig et al. .
- D. 315,066 3/1991 Adams et al. .
- D. 315,836 4/1991 Kaiser .
- D. 318,184 7/1991 Muller-Deisig et al. .
- D. 320,507 10/1991 Shields .
- D. 322,363 12/1991 Narita .
- D. 326,369 5/1992 Buchacz .
- D. 327,585 7/1992 Hollington .
- D. 345,470 3/1994 Narita .
- D. 346,909 5/1994 Obata et al. .

- D. 354,178 1/1995 Ochsner .
- D. 358,064 5/1995 Larkin .
- D. 368,172 3/1996 Locher .
- D. 369,917 5/1996 Beaulieu ..... D6/366

(List continued on next page.)

**OTHER PUBLICATIONS**

Exhibit A is a product brochure entitled "Relax Armrest," publication date unknown, published by RH Form AB, Bodafors, Sweden, disclosing an armrest.

Exhibit B is a product brochure entitled "The Chair Works," publication date unknown, published by The Chair Works, Inc., College Station, Texas, disclosing chairs having armrests.

Exhibit C is a product brochure entitled "Comforto™," publication date unknown, published by Haworth, Europe, disclosing various chairs with arms.

Exhibit D is a product brochure entitled "Office Views," publication date unknown, published by Sitag International, Irvine, California, disclosing various chairs with arms.

*Primary Examiner*—Gary D. Watson  
*Attorney, Agent, or Firm*—Price, Heneveld, Cooper, DeWitt & Litton

[57] **CLAIM**

The ornamental design for a seating unit, as shown and described.

**DESCRIPTION**

FIG. 1 is a front perspective view of a seating unit of the present invention;

FIG. 2 is a left side elevational view, the right side being a mirror image thereof with the addition of the three adjustment levers as shown in FIG. 1, 3 and 5;

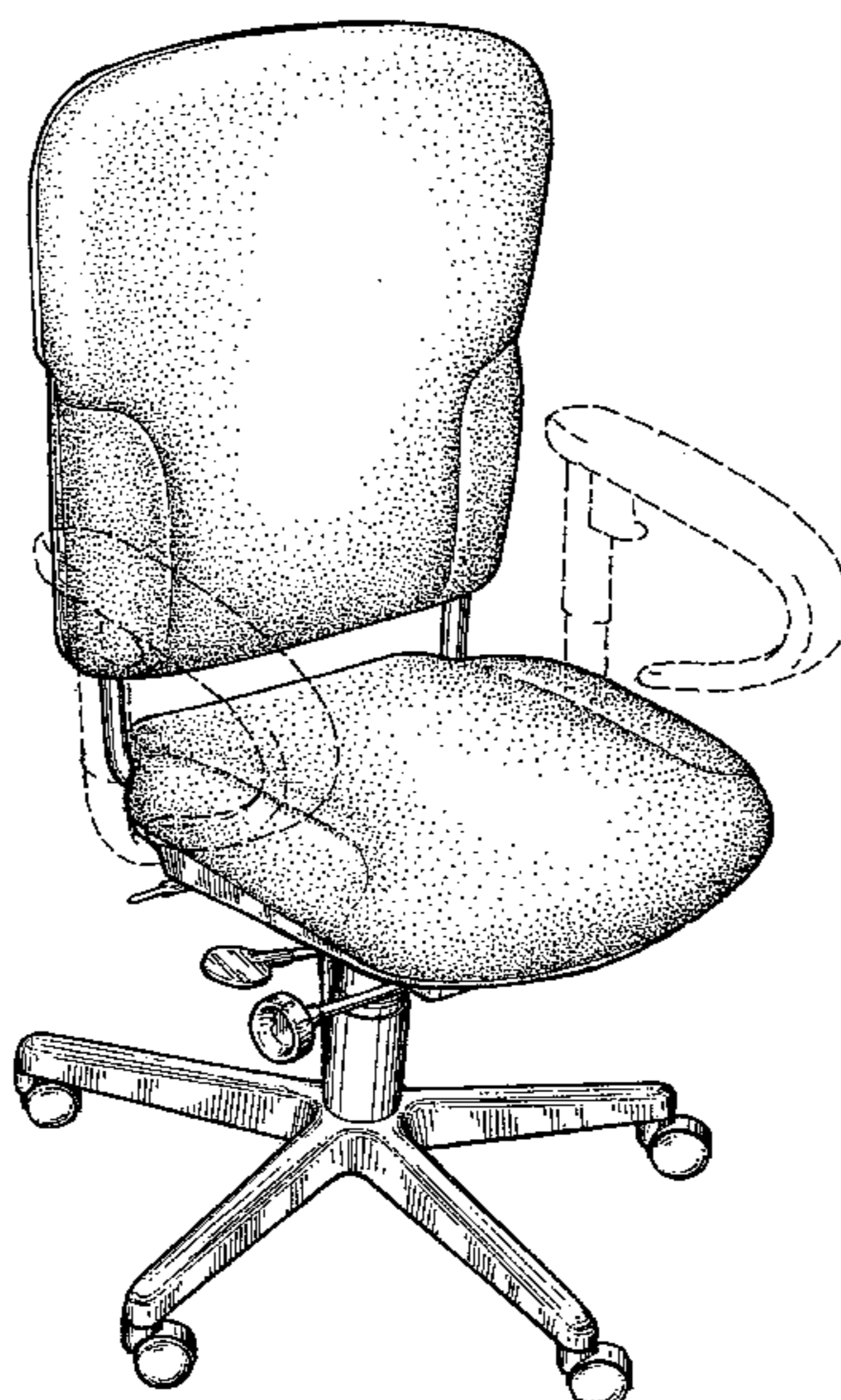
FIG. 3 is a front elevational view thereof;

FIG. 4 is a top plan view thereof; and,

FIG. 5 is a rear elevational view thereof.

The broken line showing of armrest members is for environmental purposes only and forms no part of the claimed design.

**1 Claim, 5 Drawing Sheets**



# Des. 410,342

Page 2

---

U.S. PATENT DOCUMENTS					
			4,744,603	5/1988	Knoblock .
			4,911,501	3/1990	Decker et al. .
			4,966,412	10/1990	Dauphin .
D. 372,595	8/1996	Schultz et al. .	5,029,940	7/1991	Golynsky et al. .
D. 374,778	10/1996	Tedeseo et al. .... D6/366	5,035,466	7/1991	Mathews et al. .
D. 383,322	9/1997	Dammermann et al. .	5,046,780	9/1991	Decker et al. .
D. 383,323	9/1997	Dammermann et al. .	5,106,157	4/1992	Nagelkirk .
D. 388,258	12/1997	Ambasz .	5,288,138	2/1994	Stulik et al. .
D. 390,384	2/1998	Schultz et al. .	5,318,345	6/1994	Olson .
D. 390,385	2/1998	Dammermann et al. .... D6/500	5,385,388	1/1995	Faiks et al. .
3,704,911	12/1972	Milakovich .			
4,720,142	1/1988	Holdredge et al. .			



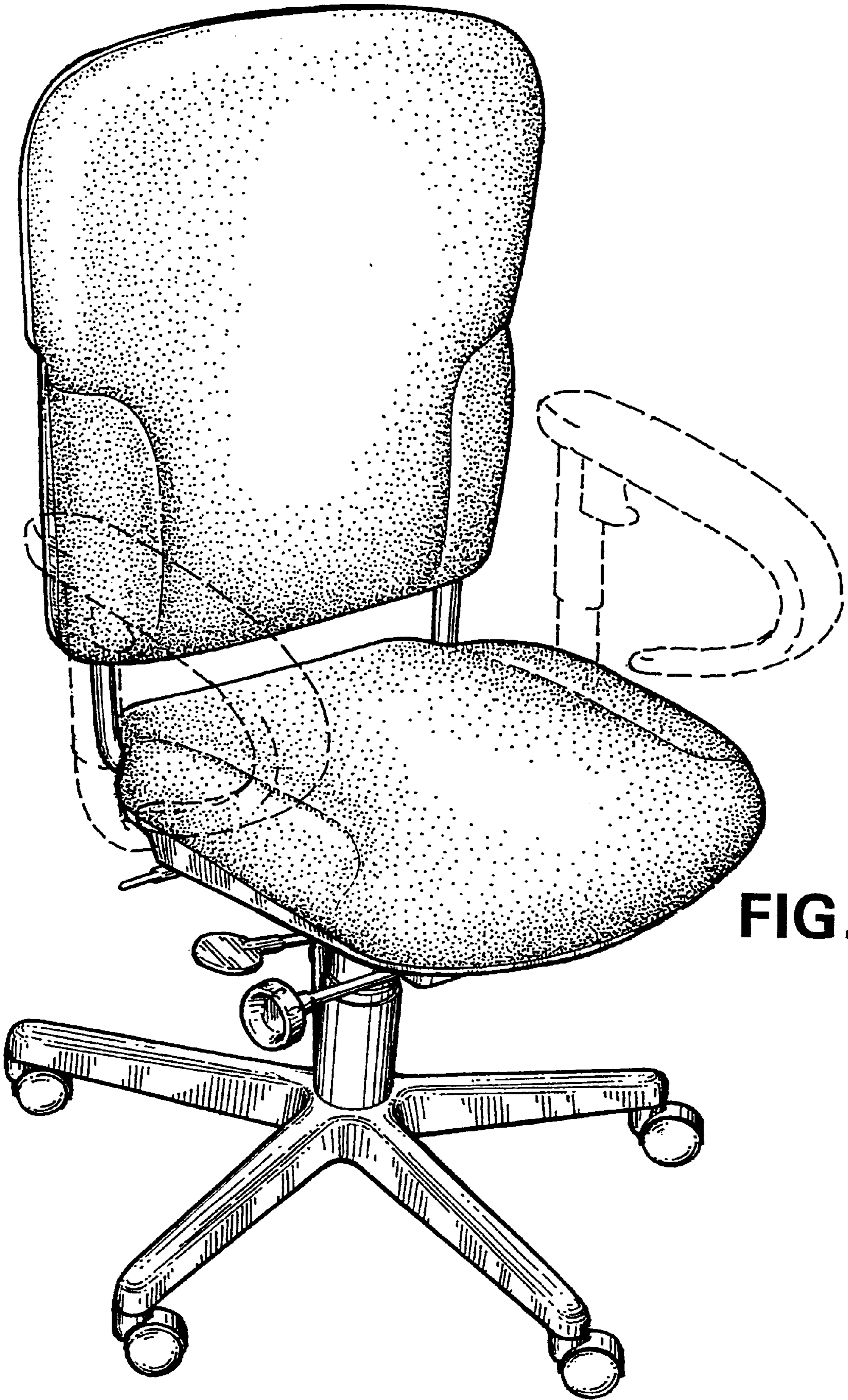
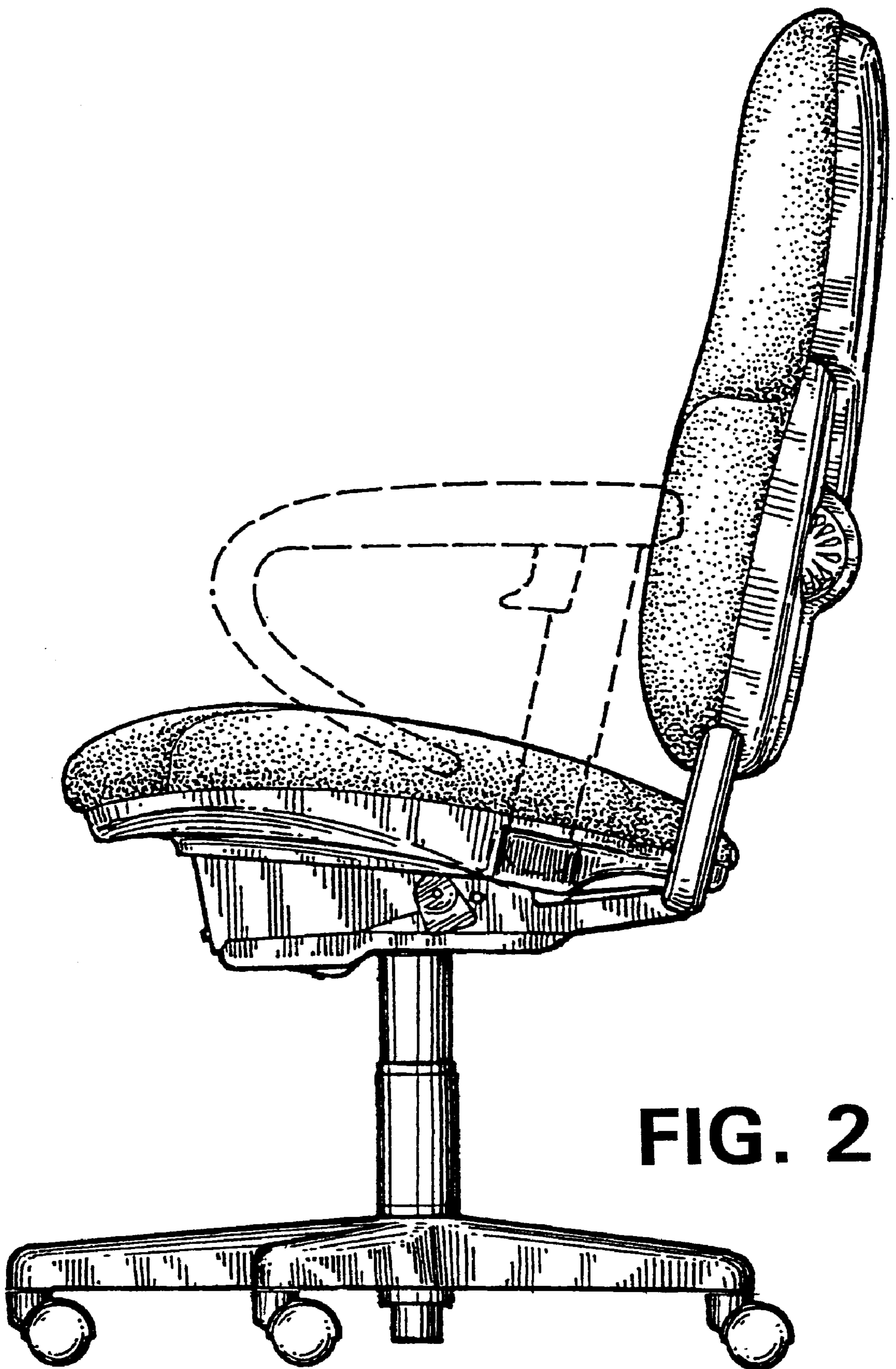
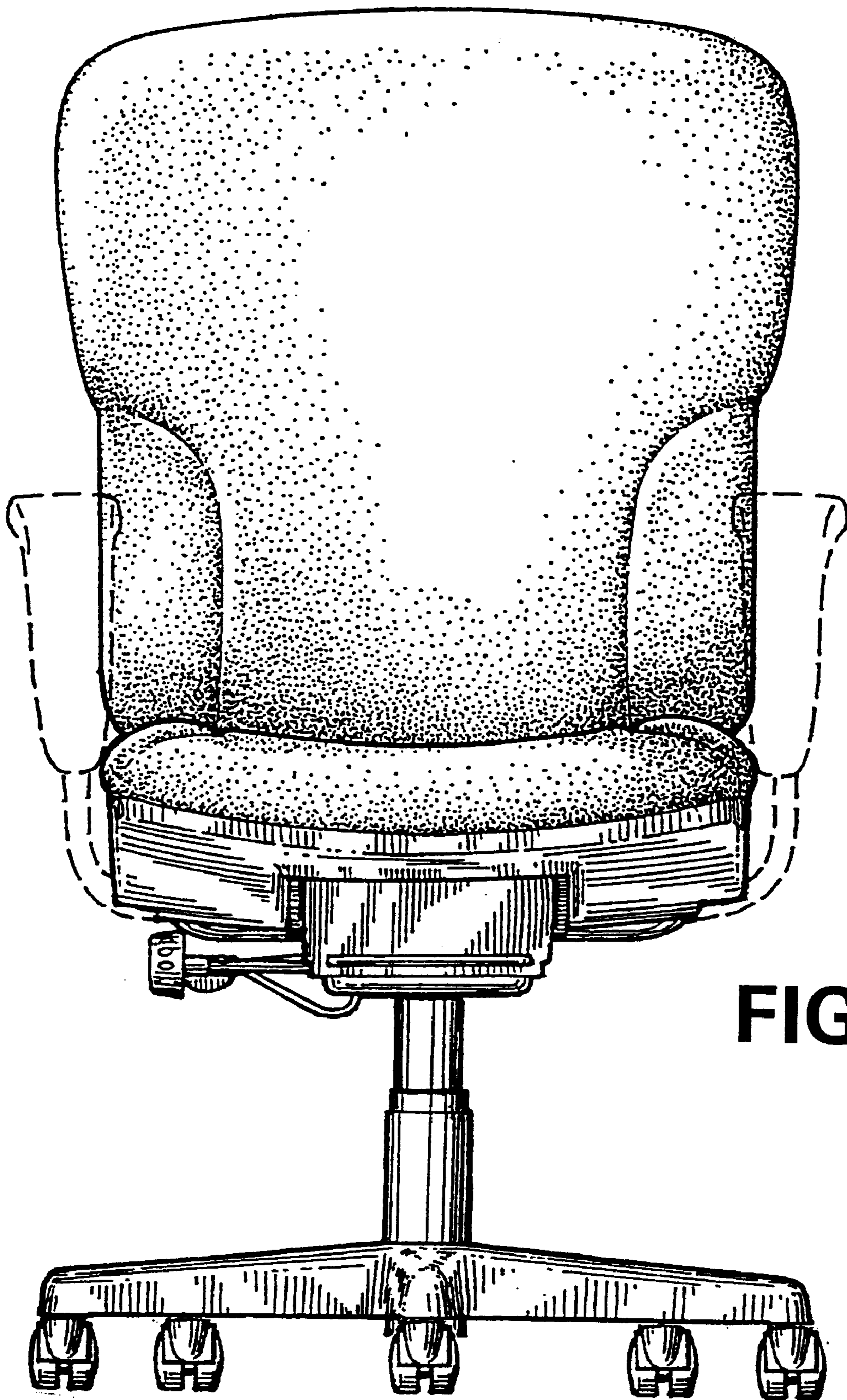


FIG. 1

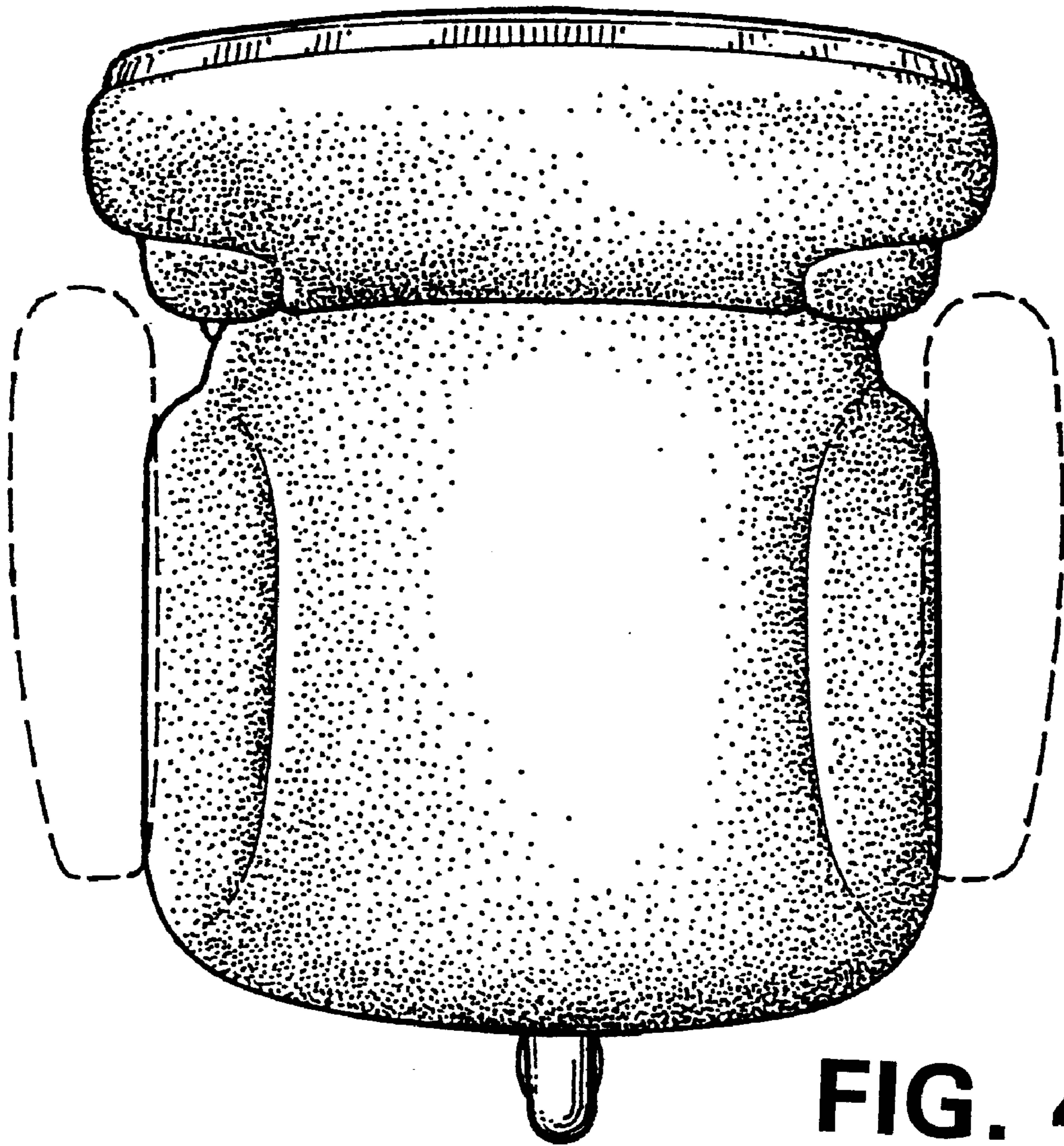


**FIG. 2**



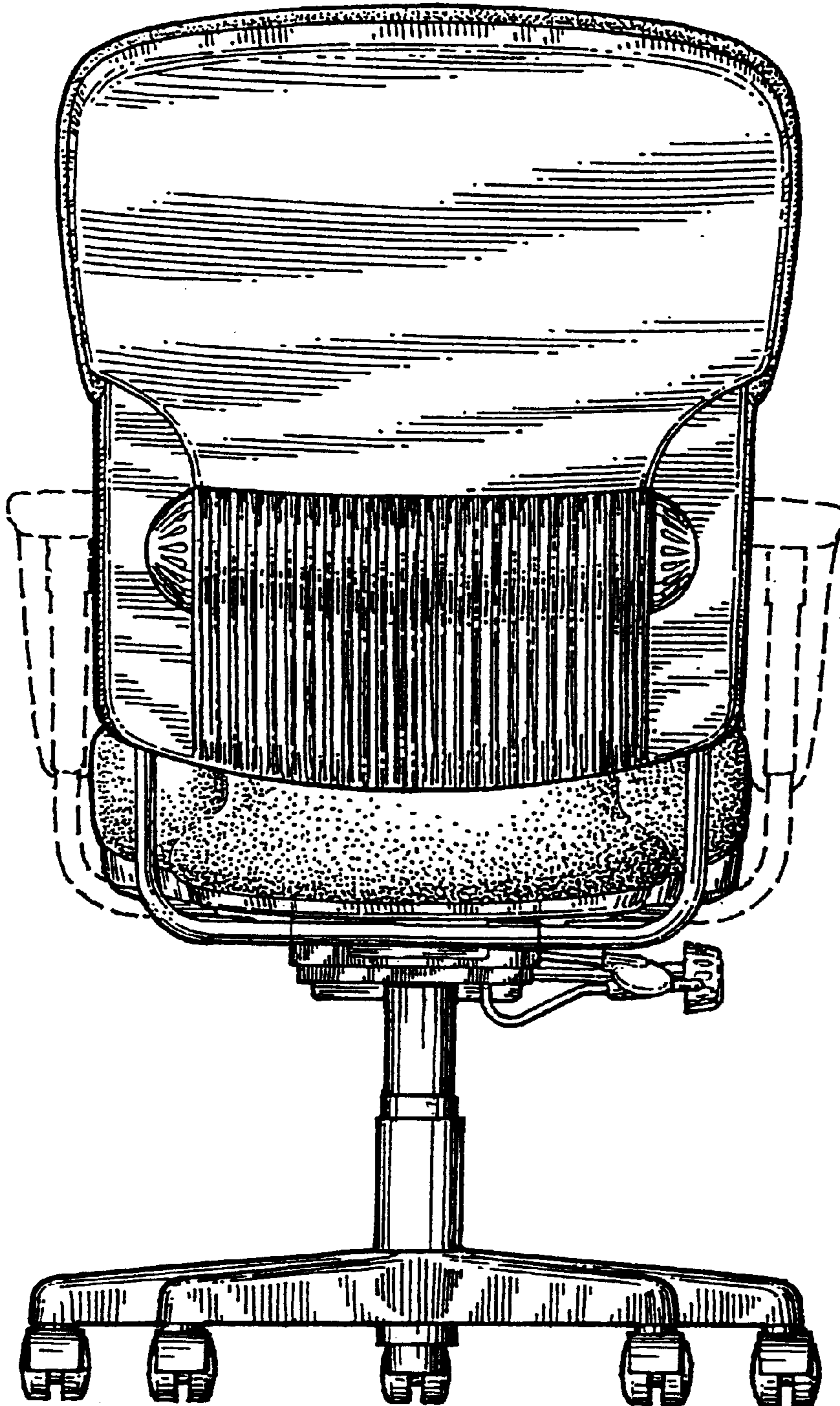


**FIG. 3**



**FIG. 4**





**FIG. 5**