



US00D410339S

**United States Patent** [19]  
**Zaidman**

[11] **Patent Number: Des. 410,339**  
[45] **Date of Patent: \*\* Jun. 1, 1999**

[54] **CHAIR**

D. 374,355 10/1996 Natuzzi et al. .... D6/334 X

[75] Inventor: **S Paul Zaidman**, Winnipeg, Canada

*Primary Examiner*—Gary D. Watson  
*Attorney, Agent, or Firm*—Michael Best & Friedrich LLP

[73] Assignee: **Palliser Furniture Ltd.**, Canada

[\*\*] Term: **14 Years**

[57] **CLAIM**

The ornamental design for a chair, as shown and described.

[21] Appl. No.: **29/075,853**

[22] Filed: **Aug. 29, 1997**

**DESCRIPTION**

[51] **LOC (6) Cl.** ..... **06-01**

FIG. 1 is a front perspective view of the design,

[52] **U.S. Cl.** ..... **D6/334; D6/344; D6/365**

FIG. 2 is a rear perspective view of the design of FIG. 1; and,

[58] **Field of Search** ..... D6/334, 335, 344,  
D6/360, 364, 365, 367, 500, 501, 502;  
297/DIG. 7

FIG. 3 is a top view of the design.

The side not shown in FIG. 2 is a mirror image of the side shown with the omission of the adjustment handle.

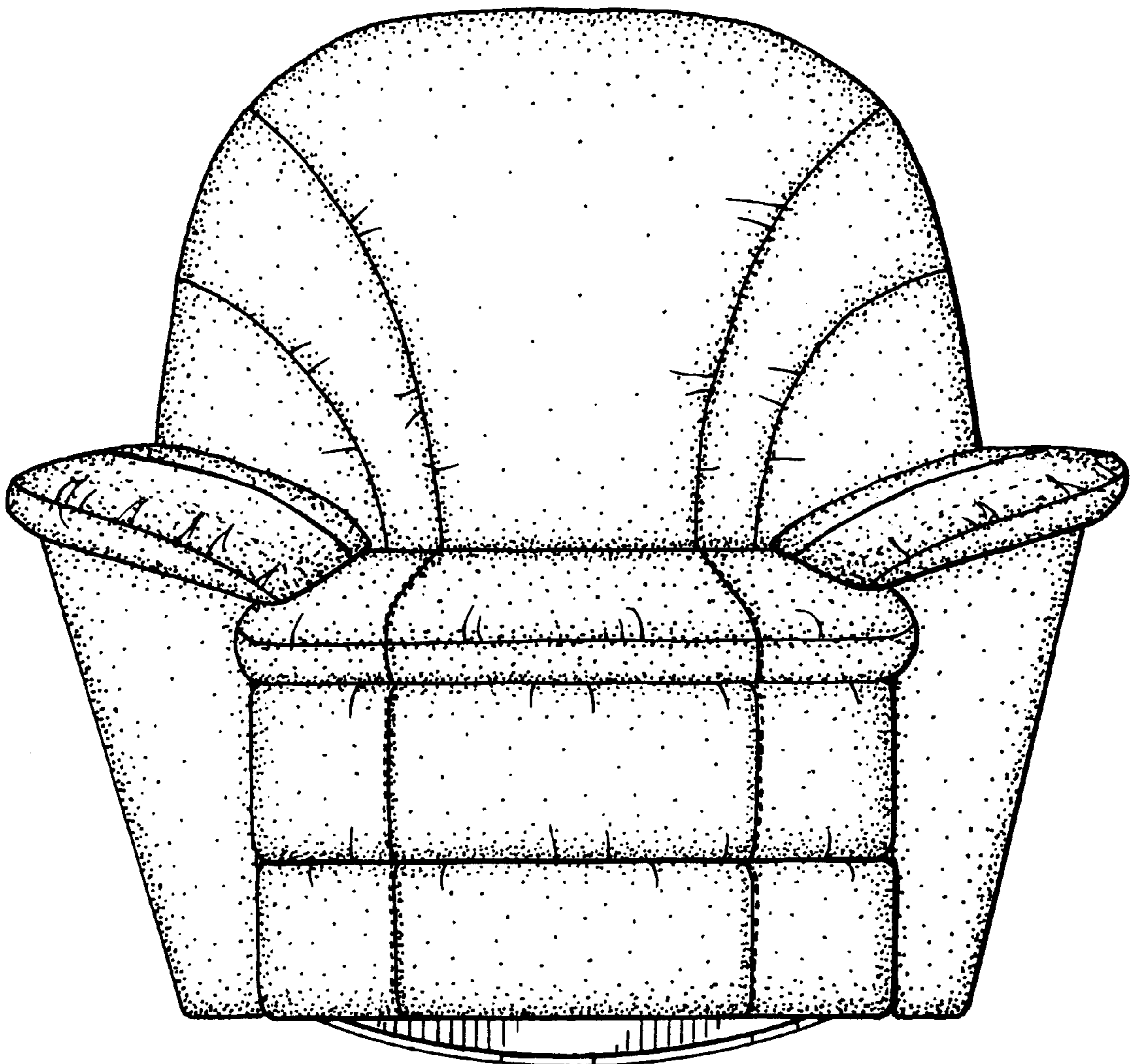
[56] **References Cited**

The broken lines in the figures represent stitching.

**U.S. PATENT DOCUMENTS**

D. 352,610 11/1994 Natuzzi et al. .... D6/334

**1 Claim, 3 Drawing Sheets**



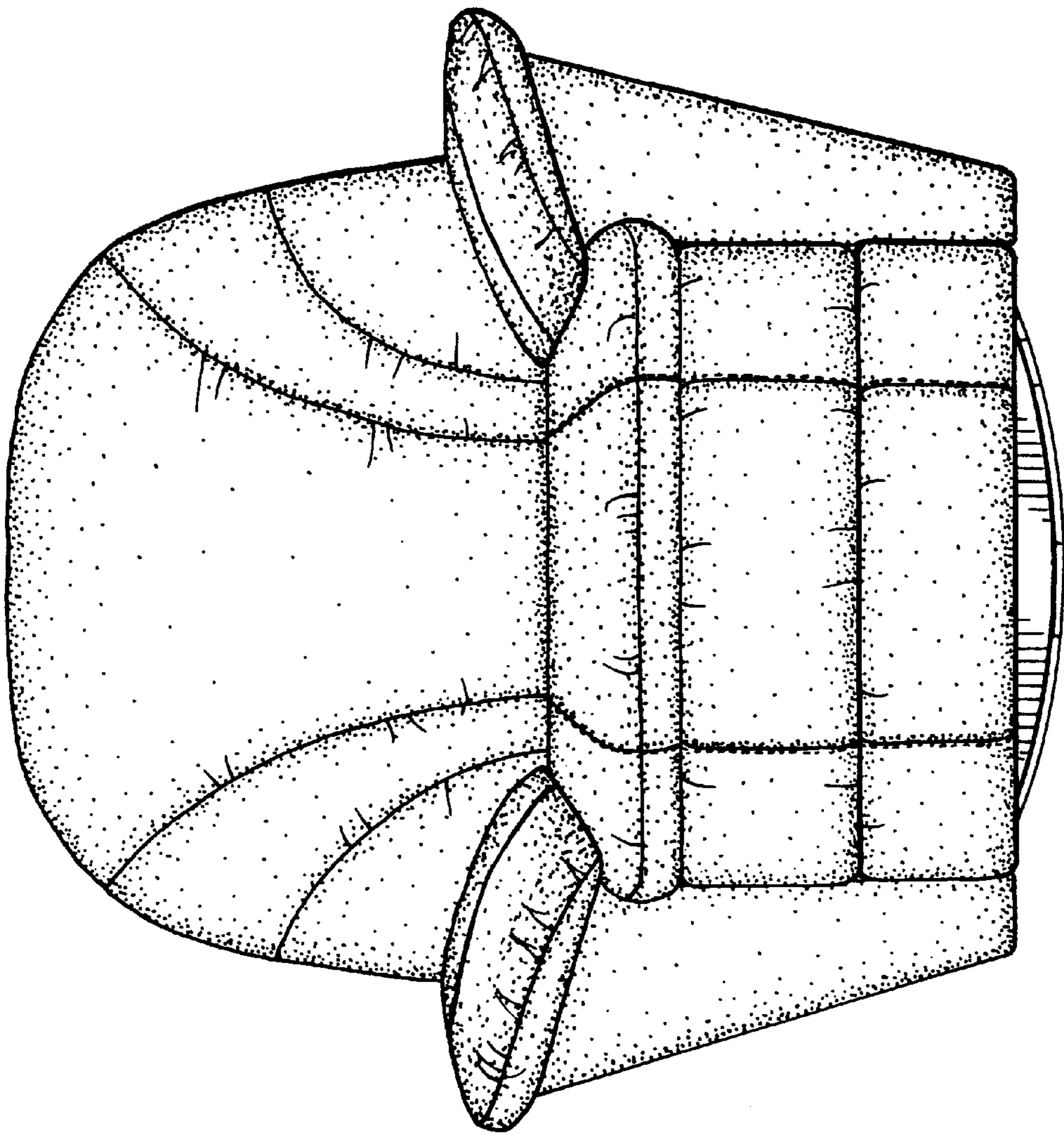


FIG. 1

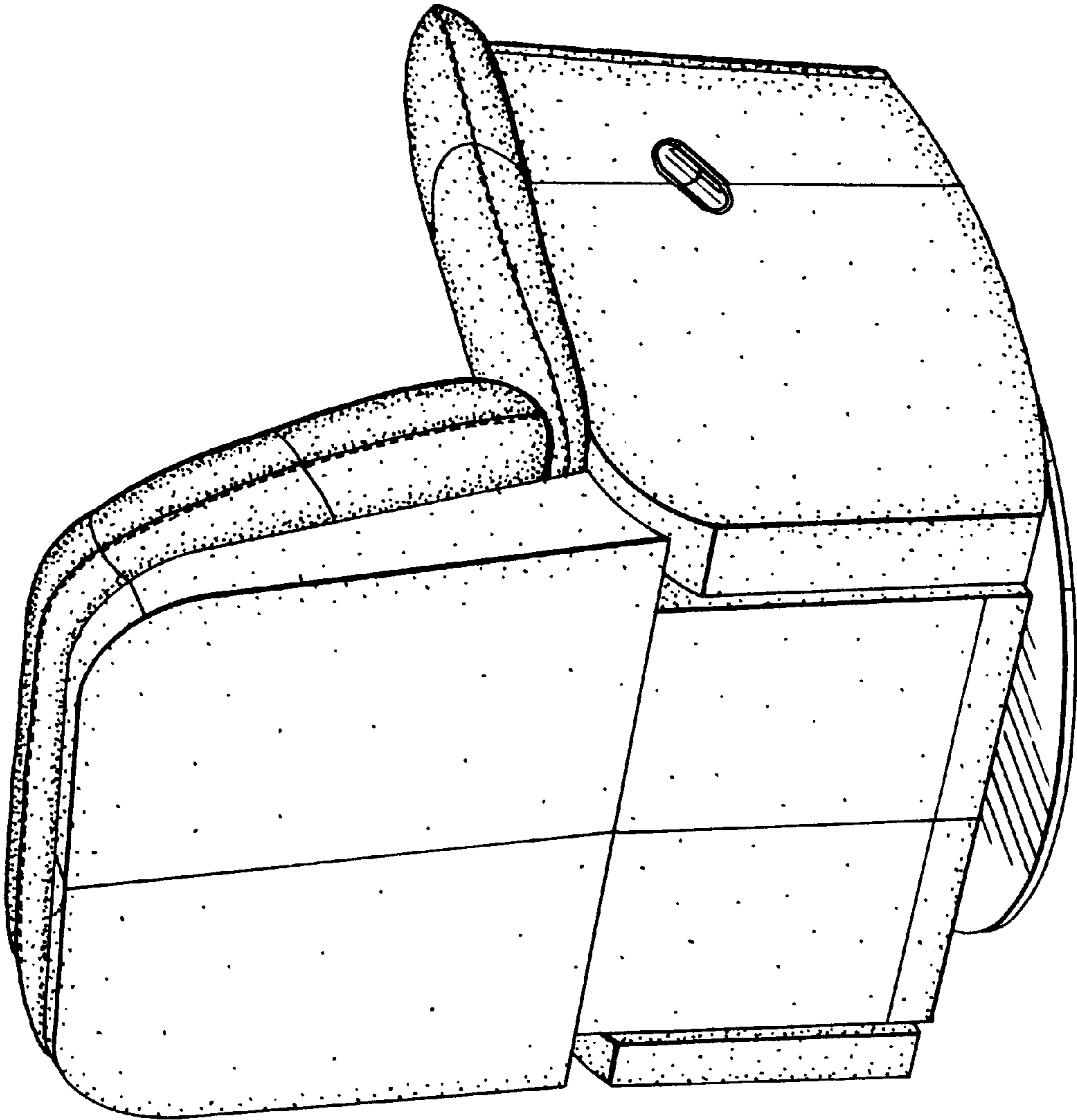


FIG. 2

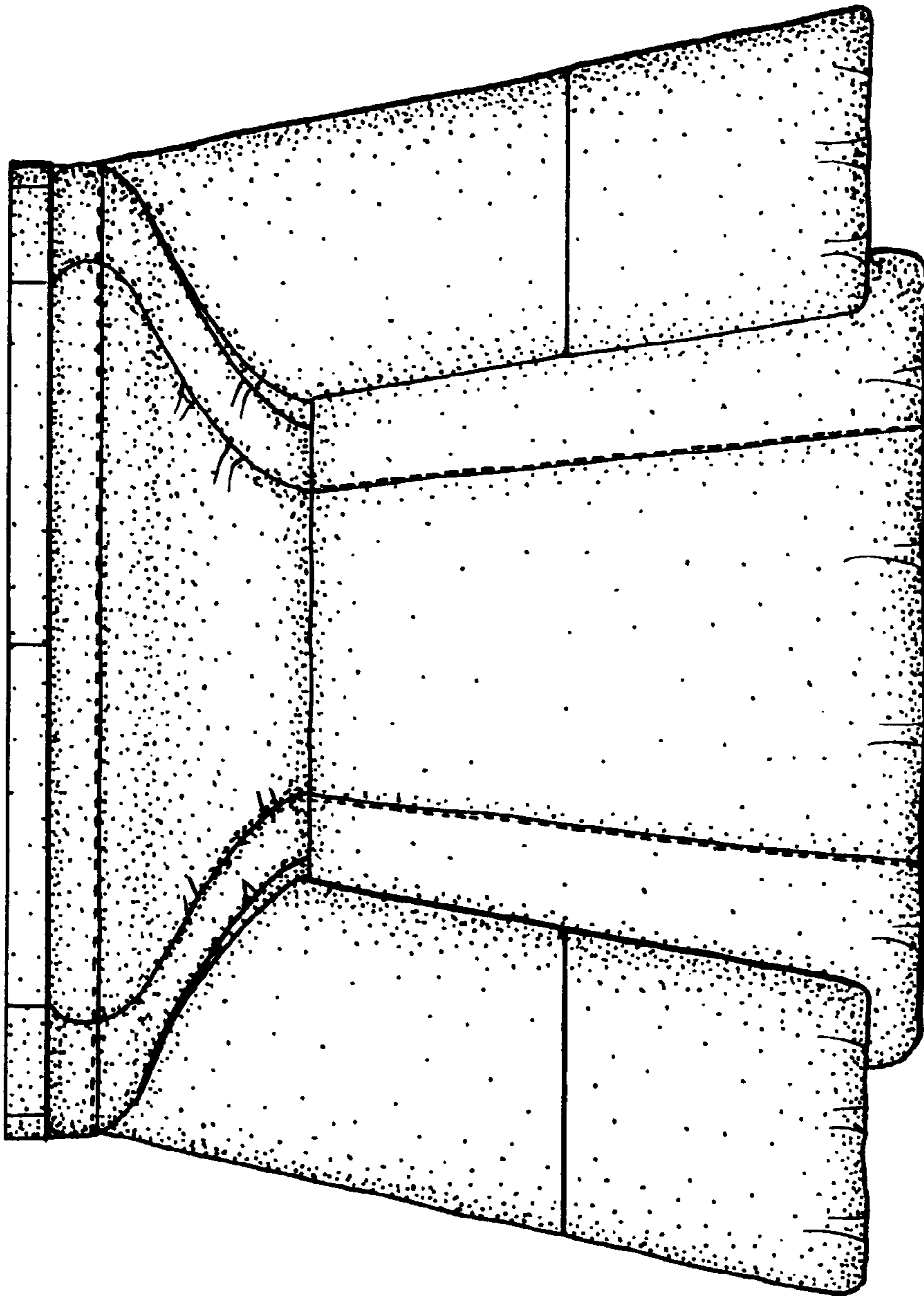


FIG. 3