



US00D410329S

United States Patent [19]

Wyatt et al.

[11] Patent Number: **Des. 410,329**

[45] Date of Patent: **** Jun. 1, 1999**

[54] **COMBINED RUCKSACK AND NET BAG**

[76] Inventors: **Harry Wyatt; Glynis Margaret Wyatt**,
both of Unit 6, The Square, Vicarage
Farm Road, Peterborough PE1 5TS,
United Kingdom

[**] Term: **14 Years**

[21] Appl. No.: **29/087,320**

[22] Filed: **Apr. 30, 1998**

[30] **Foreign Application Priority Data**

Oct. 30, 1997 [GB] United Kingdom 2070177

[51] **LOC (6) Cl.** **03-01**

[52] **U.S. Cl.** **D3/217; D3/217**

[58] **Field of Search** D3/216, 217, 220,
D3/221; 224/153, 148.1, 148.6; 222/131,
175; D7/305, 313; 206/292; 383/41

[56] **References Cited**

U.S. PATENT DOCUMENTS

- D. 340,351 10/1993 Wrath D3/217
- D. 340,354 10/1993 Wrath D3/238
- D. 375,402 11/1996 Yeh D3/217

- D. 380,294 7/1997 Kliot D3/217
- D. 392,798 3/1998 Gelb D3/217
- D. 398,148 9/1998 Jonew et al. D3/217
- D. 399,053 10/1998 DeMoraes D3/216
- 4,375,828 3/1983 Biddison 383/41
- 5,456,353 10/1995 Challoner 206/292
- 5,779,121 7/1998 Capwell 224/153

Primary Examiner—Celia Murphy
Attorney, Agent, or Firm—Lee, Mann, Smith, McWilliams,
Sweeney & Ohlson

[57] **CLAIM**

The ornamental design for a combined rucksack and net bag,
as shown and described.

DESCRIPTION

FIG. 1 is a front elevational view of a combined rucksack and net bag showing our new design, the broken lines shown throughout the views being understood to represent stitching;

FIG. 2 is a rear elevational view thereof,

FIG. 3 is a side elevational view thereof, with the opposite side being a mirror image thereof,

FIG. 4 is a top plan view thereof; and,

FIG. 5 is a bottom plan view thereof.

1 Claim, 3 Drawing Sheets

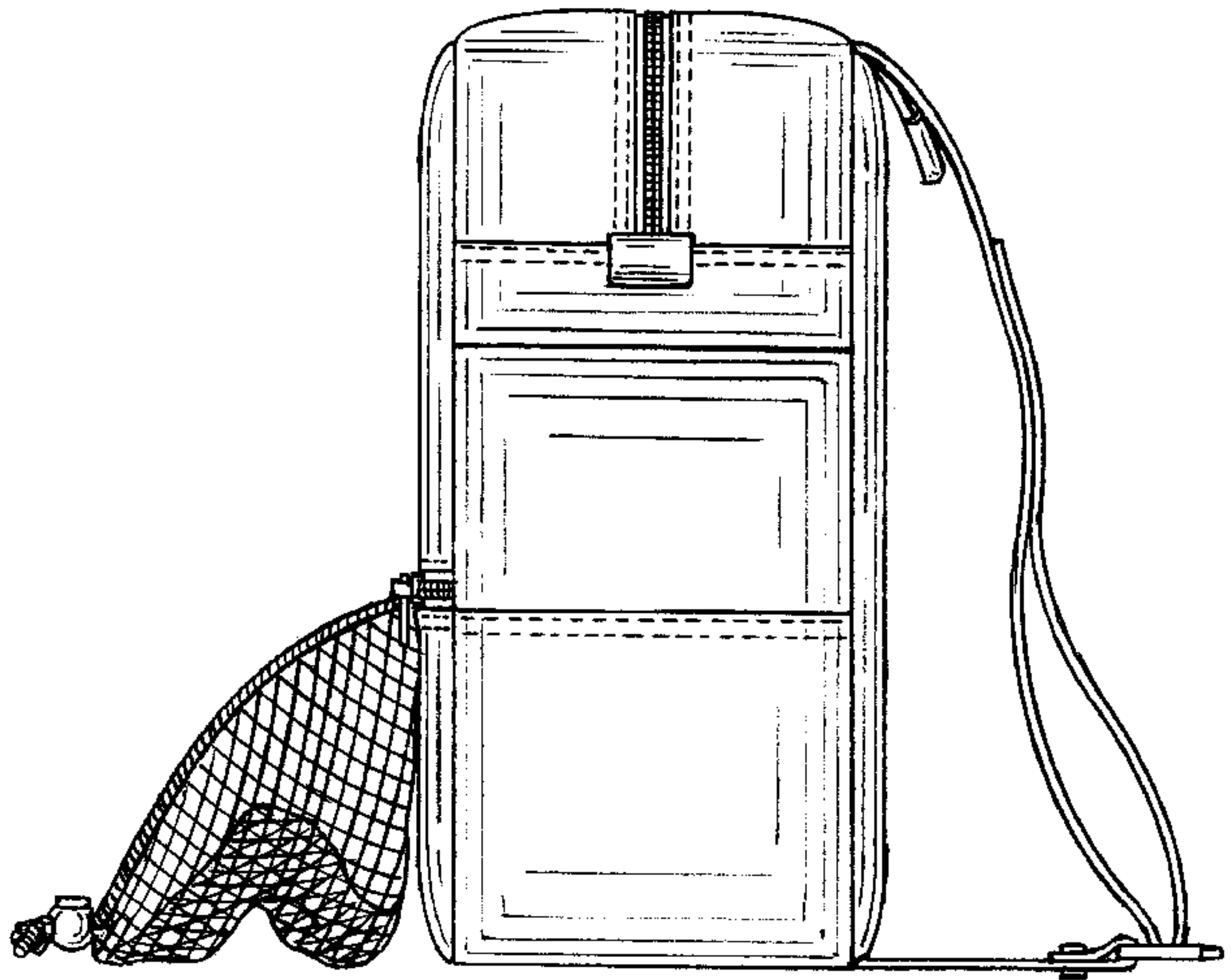
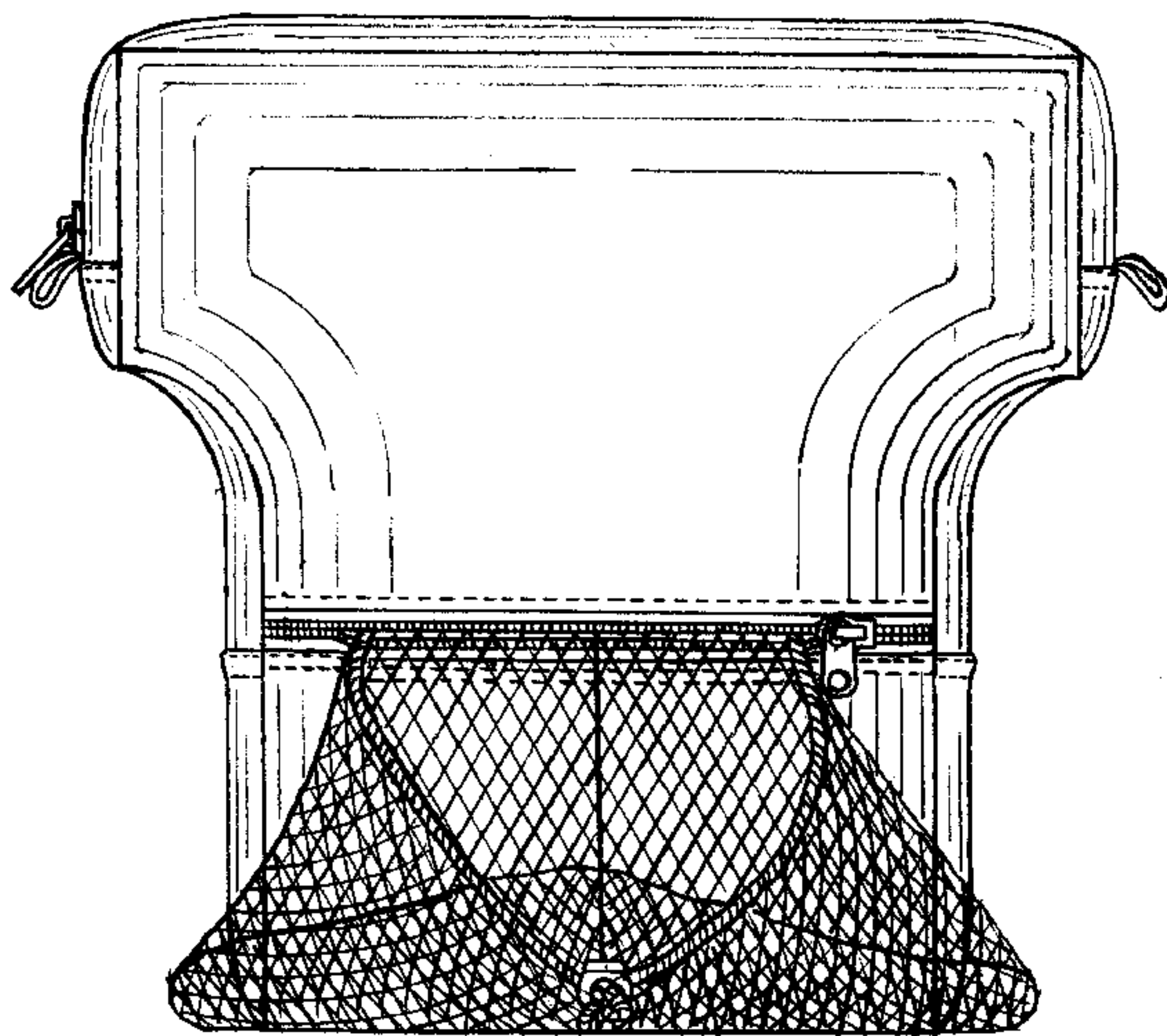


FIG. 1

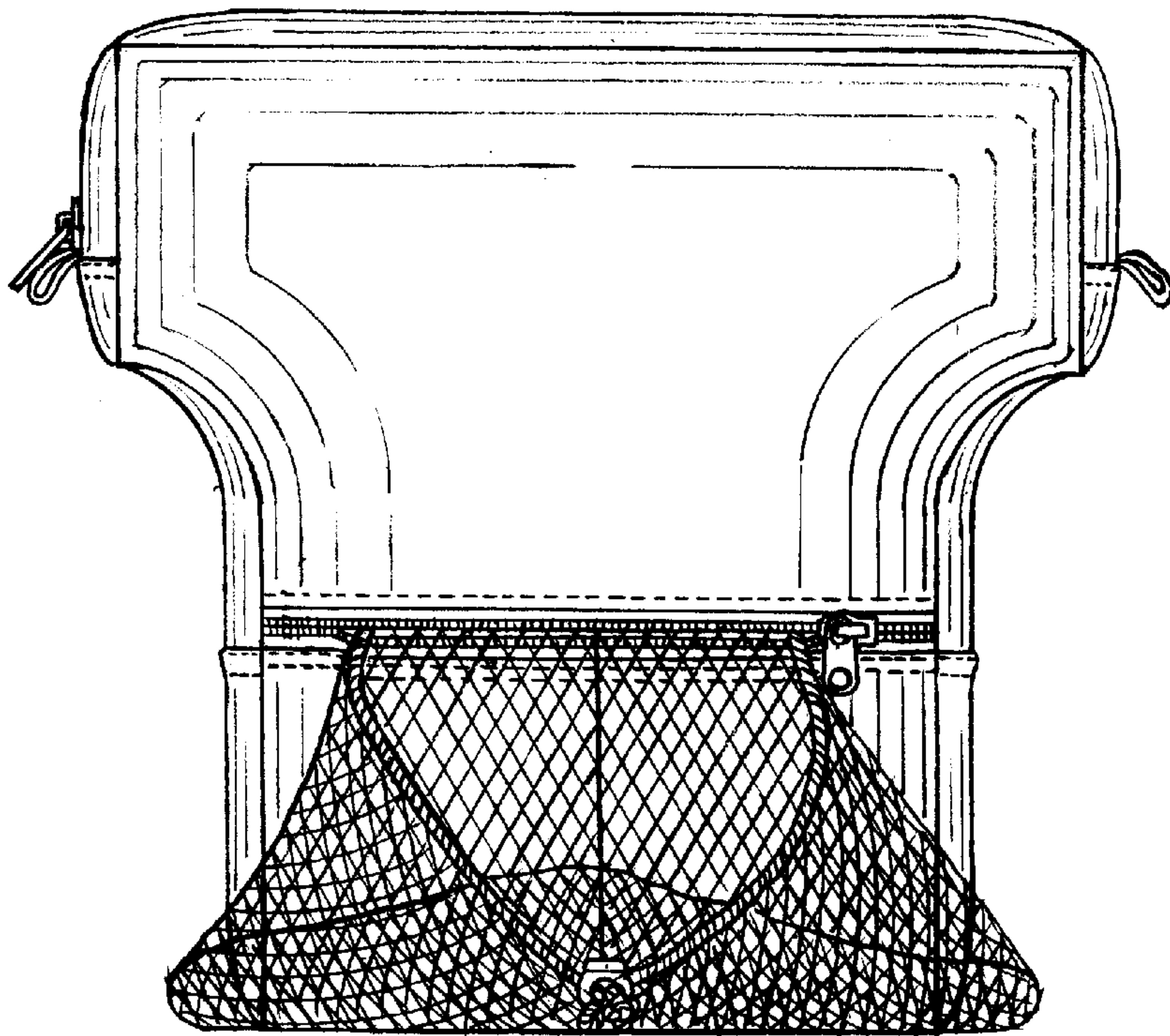


FIG. 2

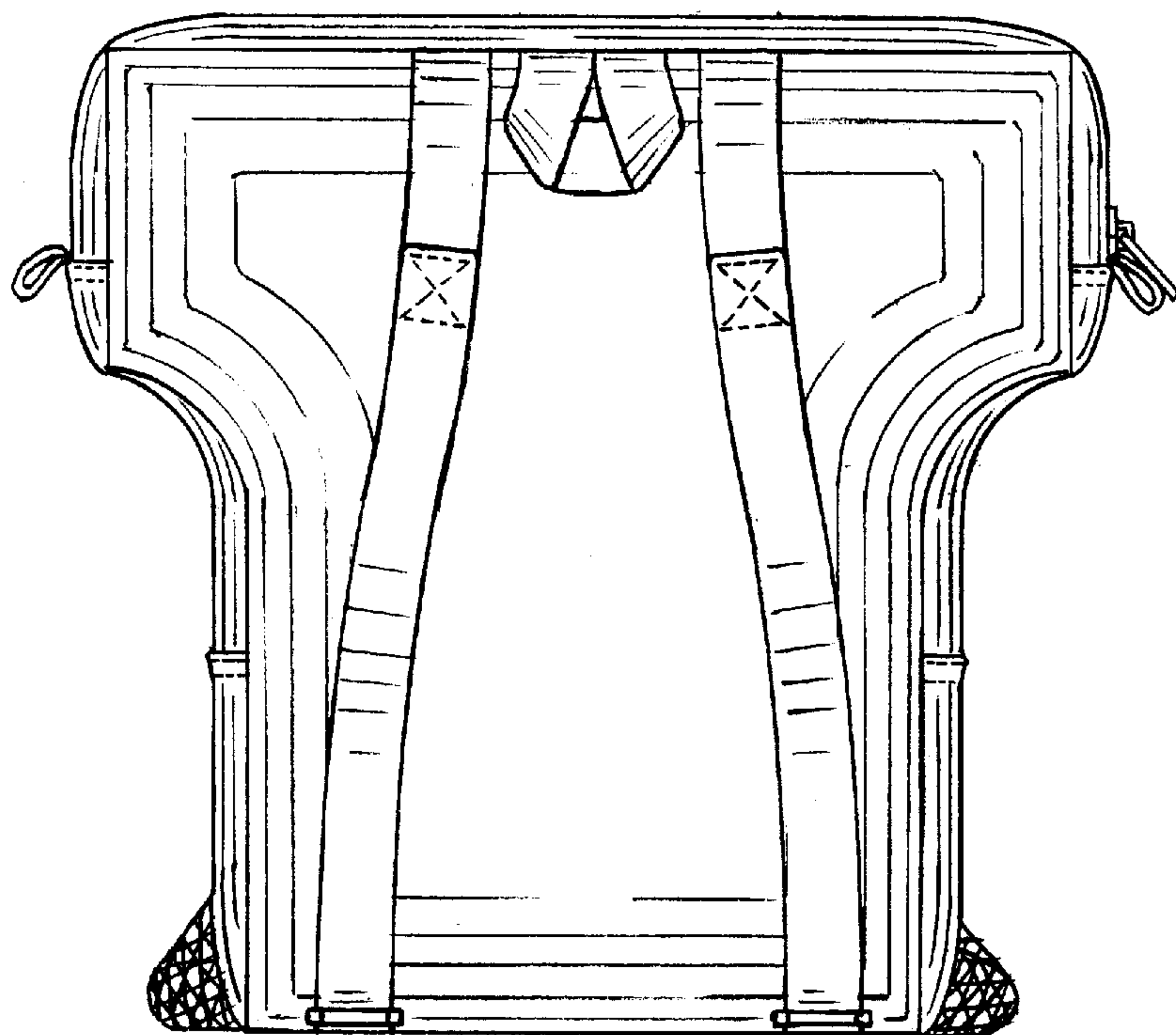


FIG. 3

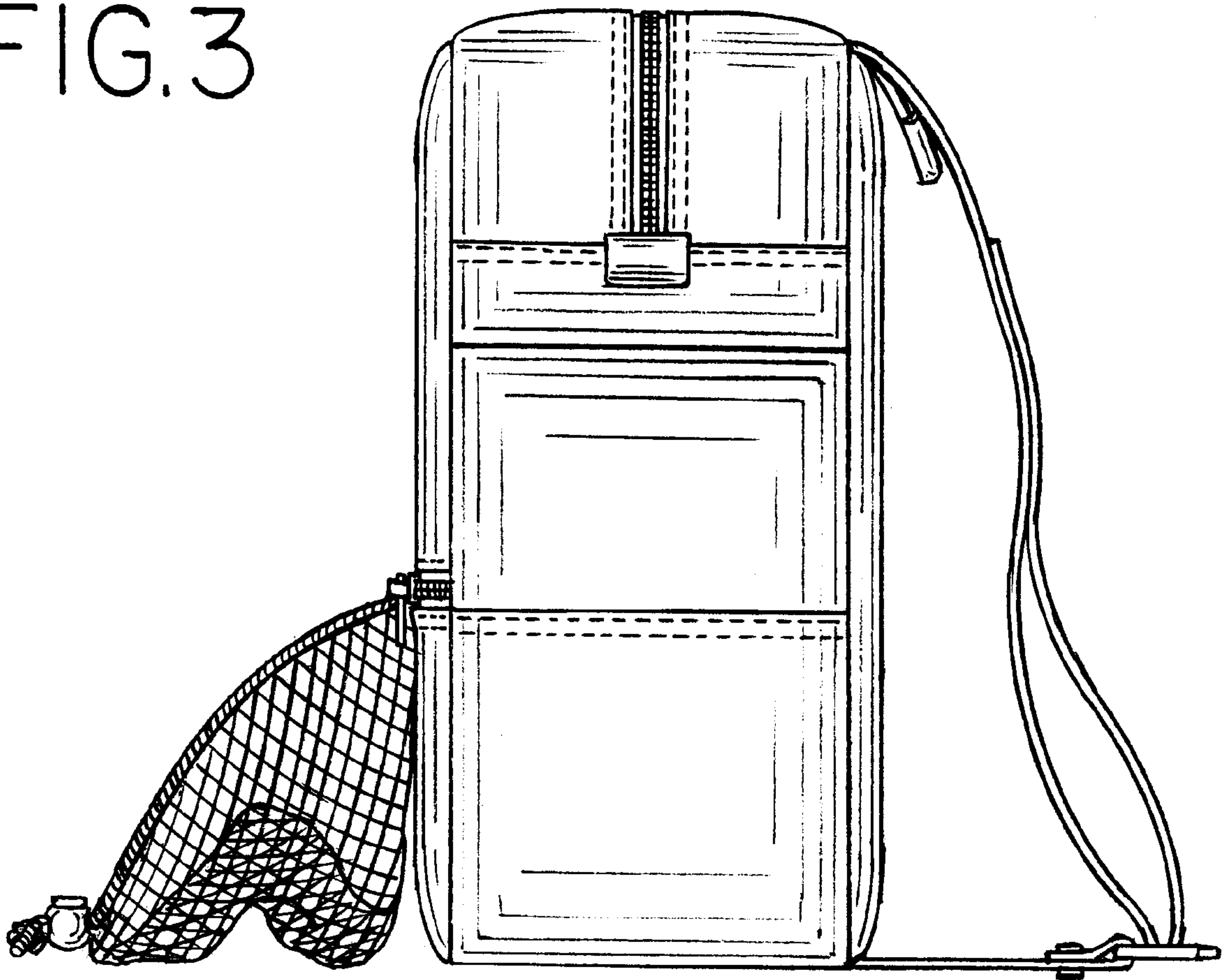


FIG. 4

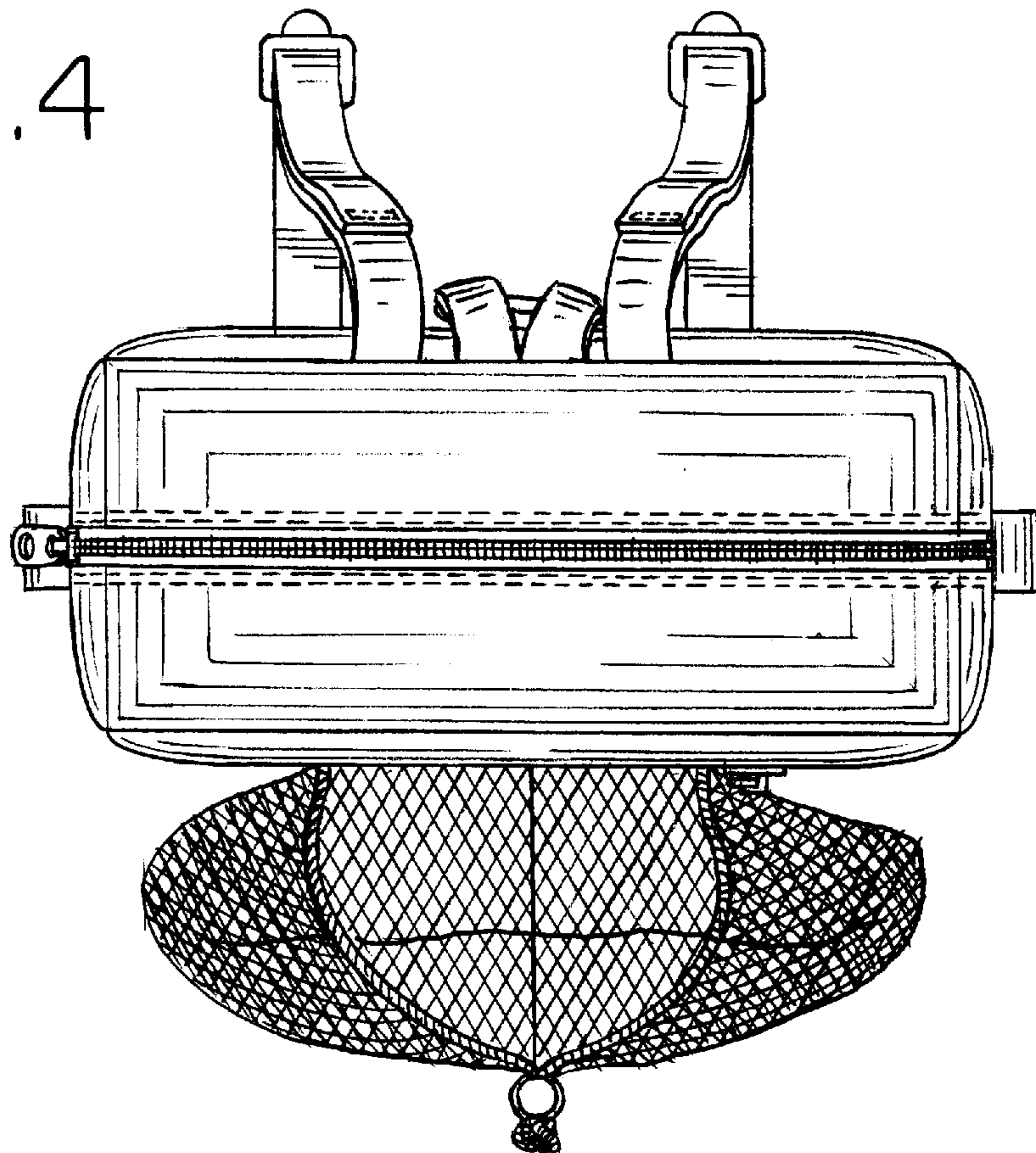


FIG. 5

