



US00D410328S

United States Patent [19]

Alajajian et al.

[11] Patent Number: Des. 410,328

[45] Date of Patent: ** Jun. 1, 1999

[54] UMBRELLA HANDLE WITH ROTATABLE-HEAD FLASHLIGHT

[75] Inventors: Philip M. Alajajian, 336 Wellman Ave., North Chelmsford, Mass. 01863; Dong Hua, Jamaica Plain, Mass.

[73] Assignee: Philip M. Alajajian, North Chelmsford, Mass.

[**] Term: 14 Years

[21] Appl. No.: 29/080,936

[22] Filed: Dec. 19, 1997

Related U.S. Application Data

[63] Continuation of application No. 29/063,664, Dec. 12, 1996, abandoned.

[51] LOC (6) Cl. 03-03

[52] U.S. Cl. D3/13

[58] Field of Search D3/13, 5, 6, 12, D3/14; D26/37, 38; 135/15.1, 16, 910, 65

[56] References Cited

U.S. PATENT DOCUMENTS

- D. 96,050 6/1935 Osterman D3/13
- D. 96,051 6/1935 Osterman D3/13
- D. 272,676 2/1984 MacDonald D3/13 X
- D. 274,674 7/1984 Allen D3/12
- D. 294,868 3/1988 Sim D3/13
- D. 314,664 2/1991 Bonanno D3/13
- D. 327,166 6/1992 Barker D3/13
- D. 332,320 1/1993 Gammache D26/44

- D. 336,361 6/1993 Stanwood et al. D3/13 X
- D. 353,041 12/1994 Stenberg D3/13 X
- D. 369,865 5/1996 Newton .
- 1,755,209 11/1930 Danner 135/65
- 1,832,564 11/1931 Kuhn .
- 5,280,799 1/1994 Alajajian 125/16

Primary Examiner—Louis S. Zarfes
Assistant Examiner—Catherine R. Oliver
Attorney, Agent, or Firm—Wolf, Greenfield & Sacks, P.C.

[57] CLAIM

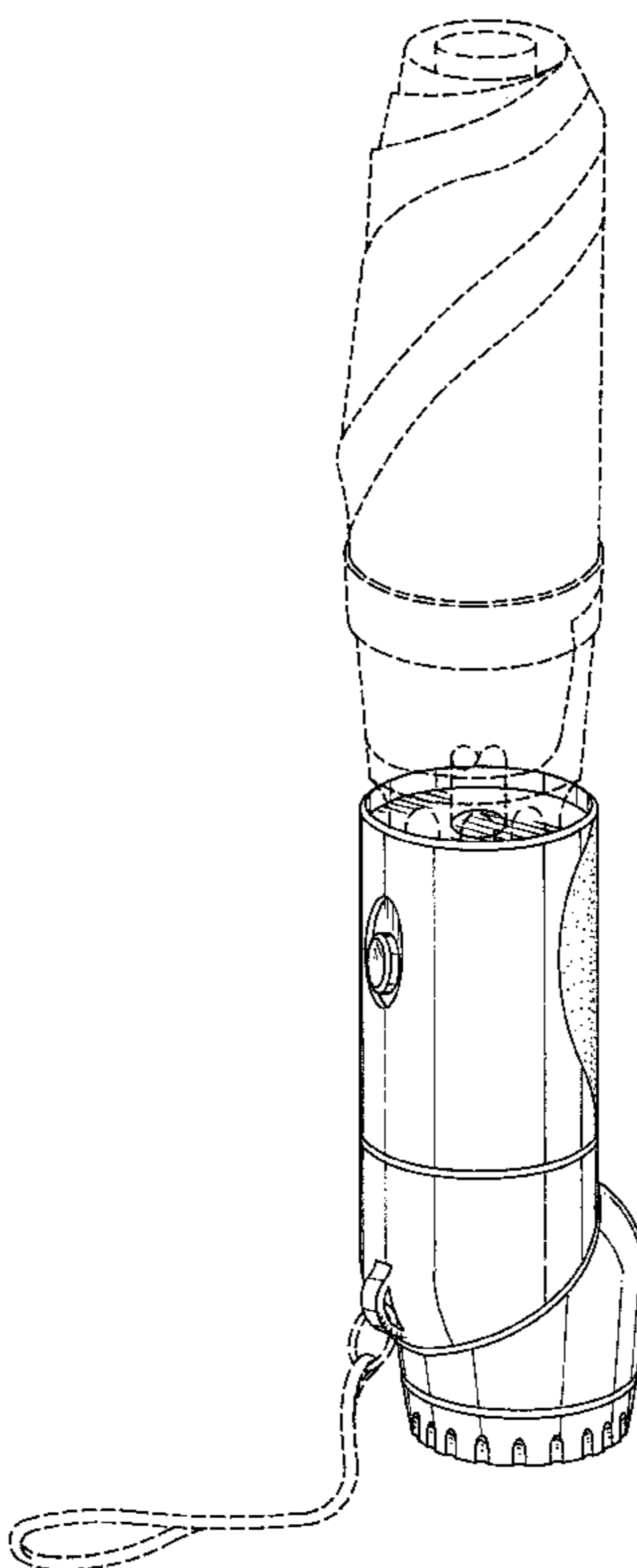
The ornamental design for an umbrella handle with rotatable-head flashlight, as shown and described.

DESCRIPTION

FIG. 1 is a perspective view of an umbrella handle with a rotatable-head flashlight showing our new design; FIG. 2 is a side elevational view, the opposite side elevational view being a mirror image thereof; FIG. 3 is a top plan view thereof; FIG. 4 is a bottom plan view thereof; FIG. 5 is a front elevational view thereof; FIG. 6 is a rear elevational view thereof; FIG. 7 is a perspective view similar to FIG. 1, with the umbrella handle shown rotated 10 degrees from the position shown in FIG. 1 and the rotatable head rotated approximately 180 degrees from the position shown in FIG. 1; and, FIG. 8 is a front elevational view similar to FIG. 5, with the rotatable head rotated 40 degrees from the position shown in FIG. 5.

The broken line showing of an umbrella canopy, a canopy shaft and strap in FIG. 1 are for illustrative purposes only and form no part of the claimed design.

1 Claim, 5 Drawing Sheets



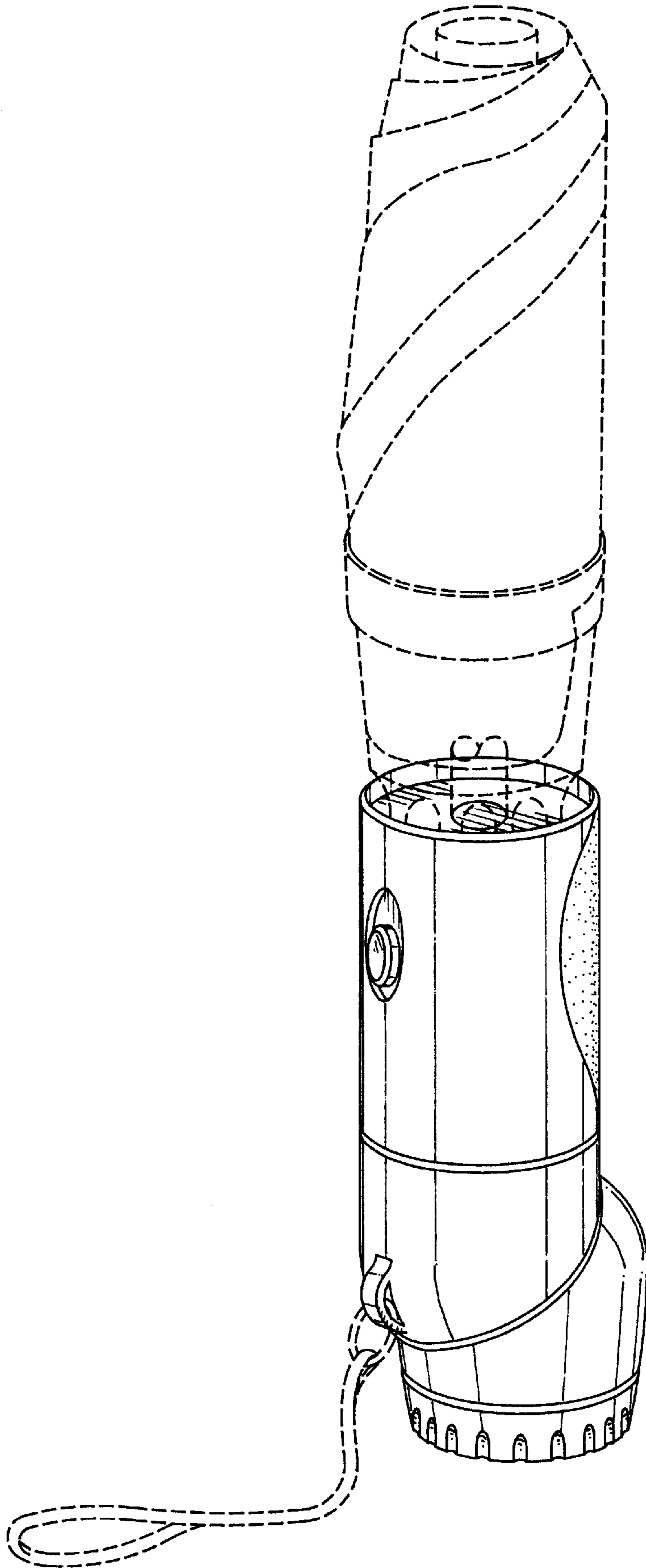


FIG. 1

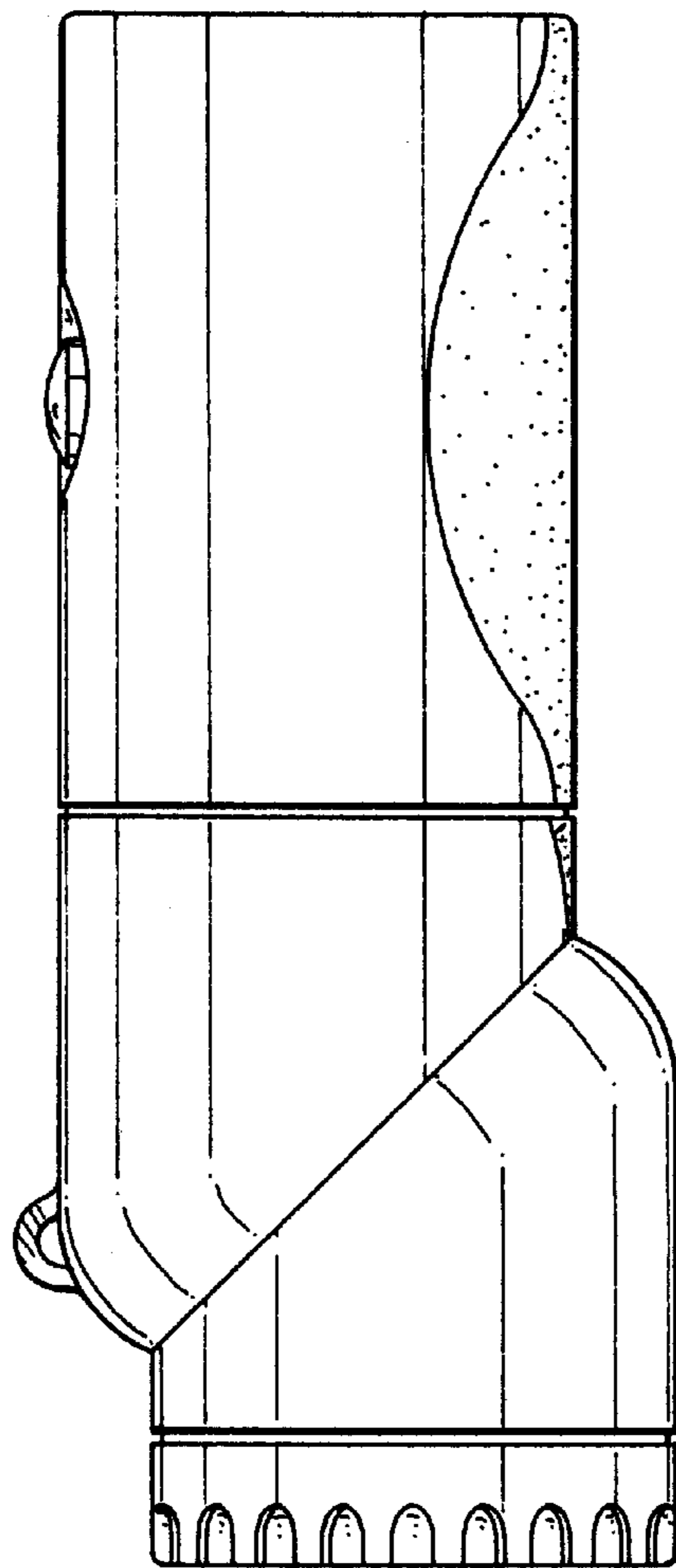


FIG. 2

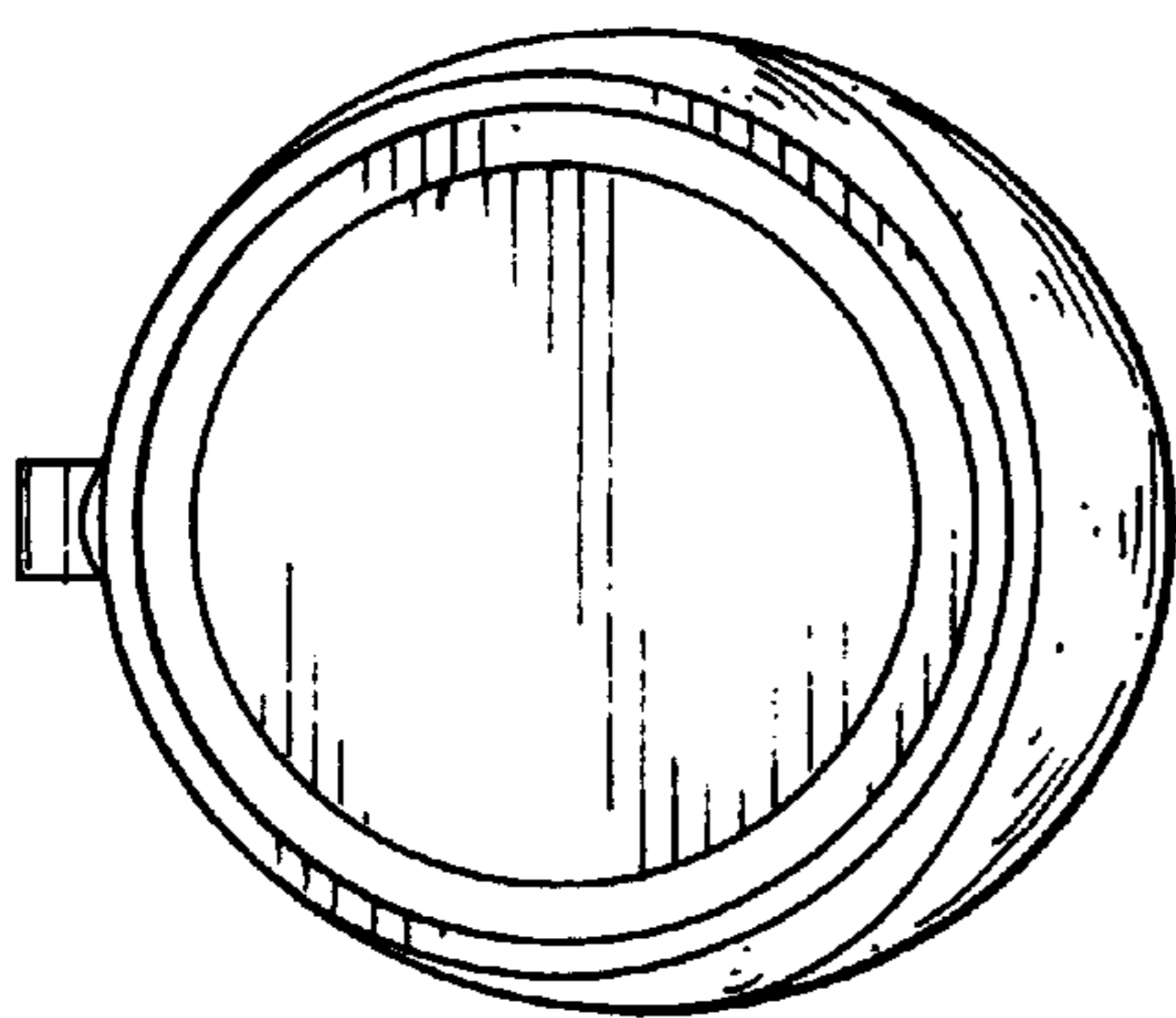


FIG. 3

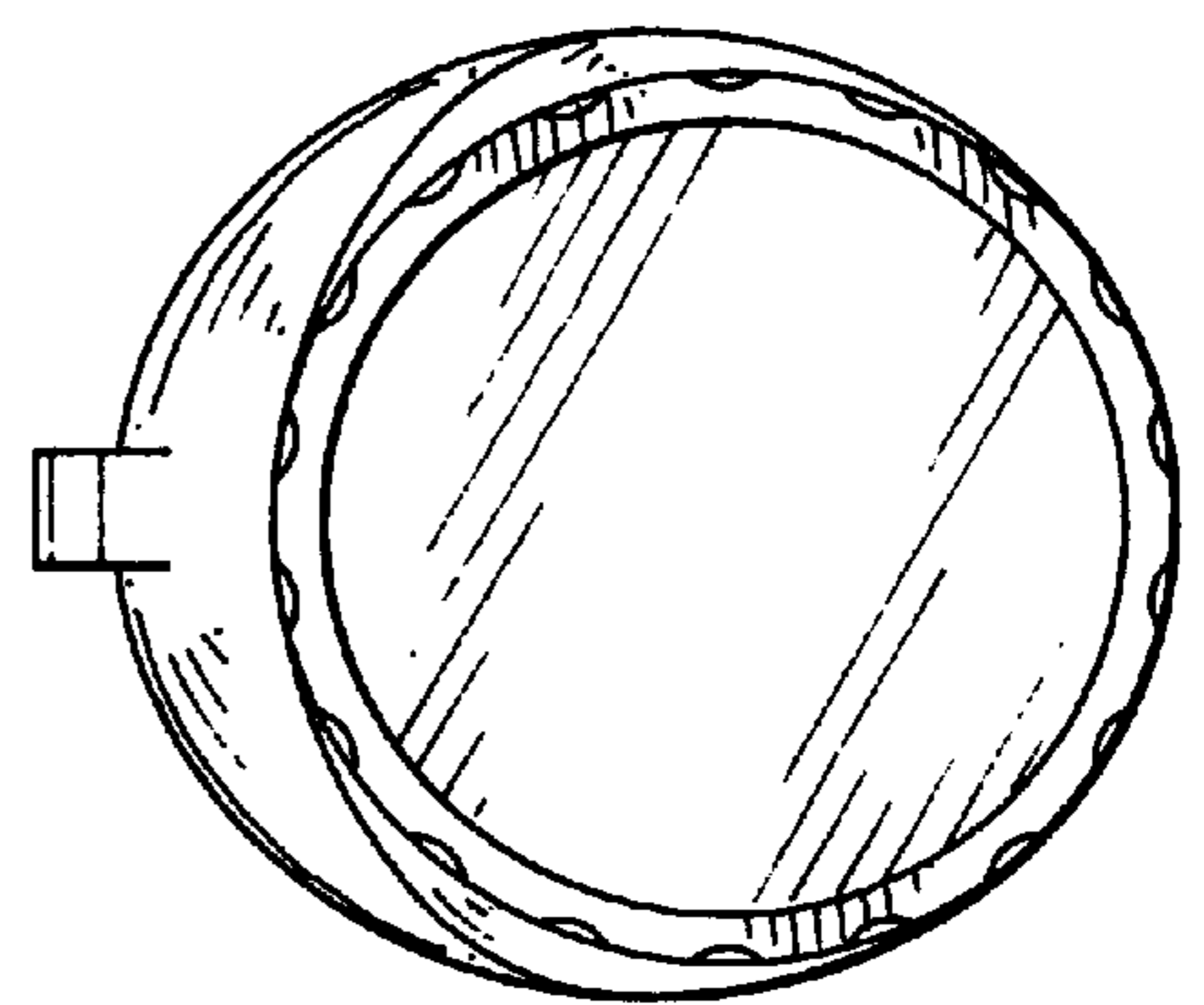


FIG. 4

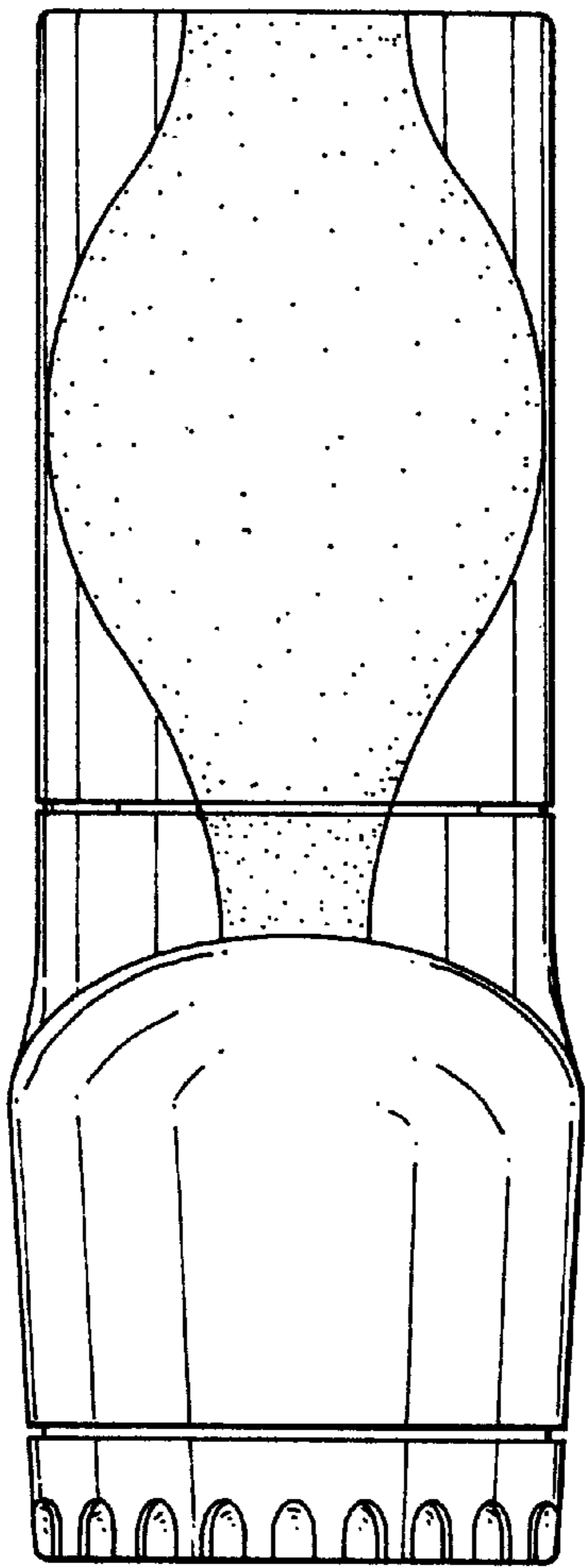
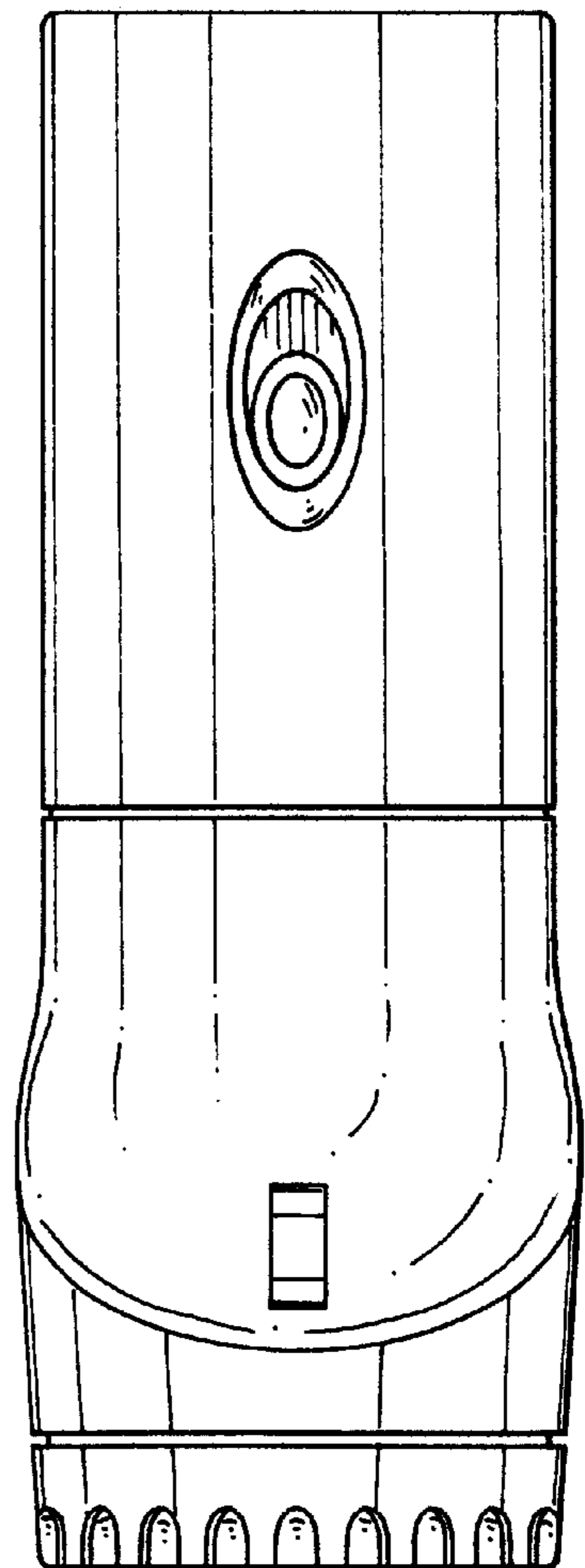


FIG. 5

FIG. 6



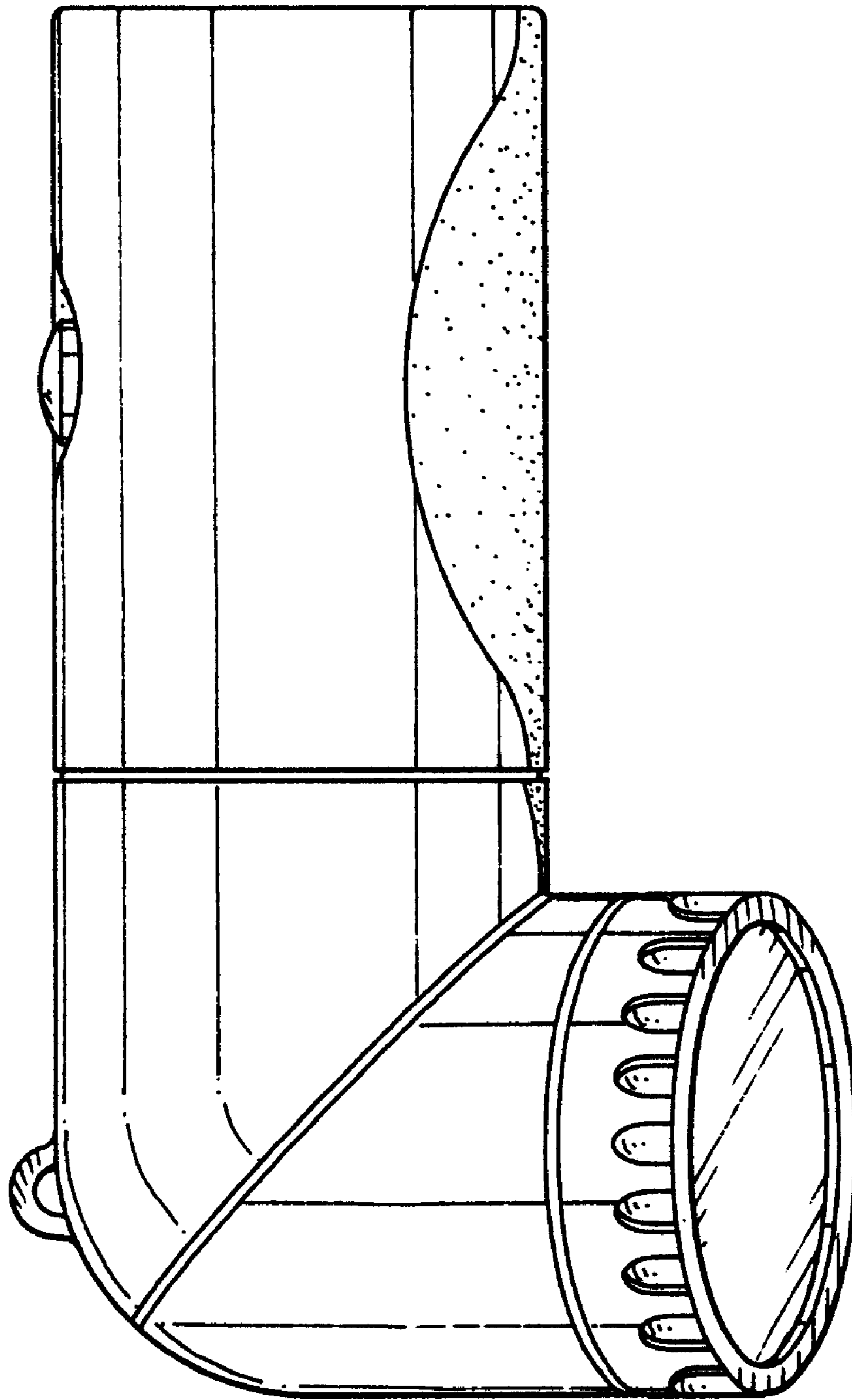


FIG. 7

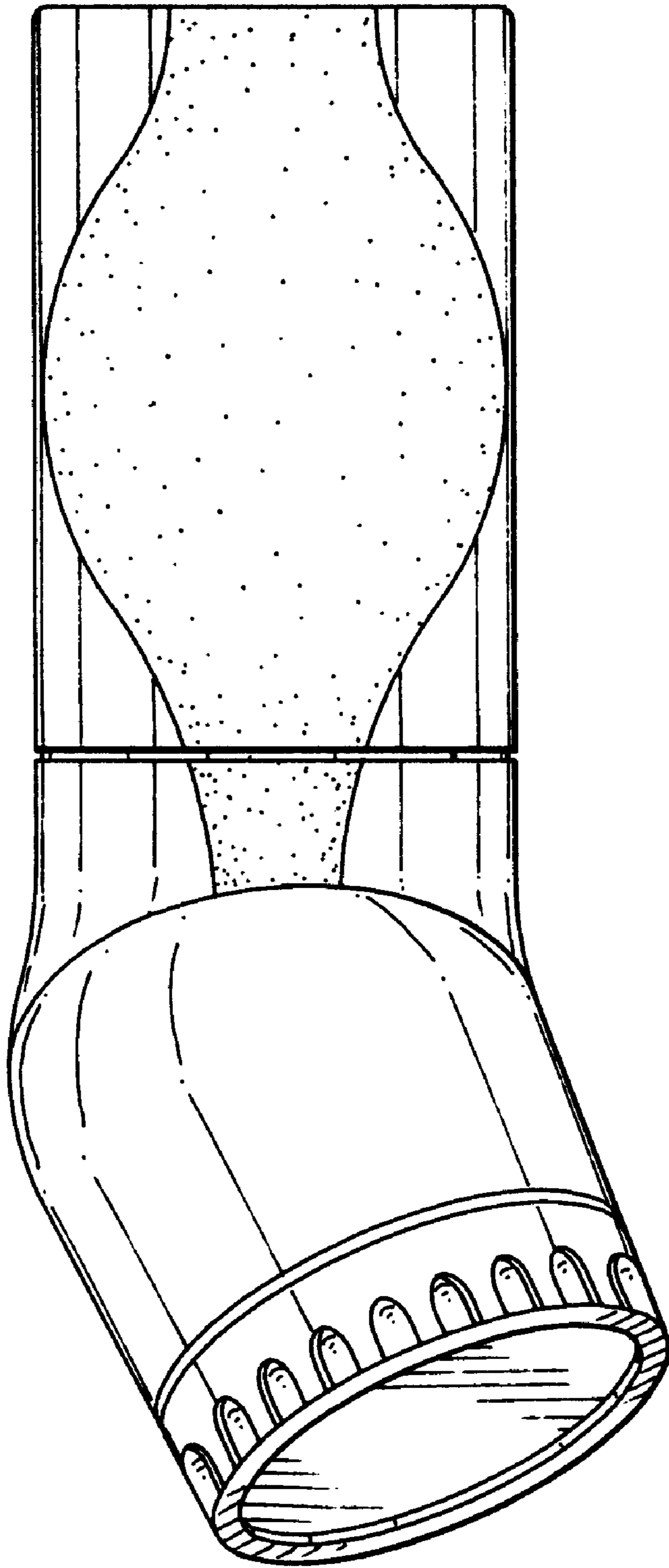


FIG. 8