



US00D410315S

United States Patent [19]
Woodward

[11] **Patent Number: Des. 410,315**
[45] **Date of Patent: ** Jun. 1, 1999**

[54] **CONFECTION PRODUCT**

[75] Inventor: **Lucy Woodward**, London, United Kingdom

[73] Assignee: **Good Humor-Breyers Ice Cream, Division of Conopco, Inc.**, Green Bay, Wis.

[**] Term: **14 Years**

[21] Appl. No.: **29/074,759**

[22] Filed: **Aug. 4, 1997**

[30] **Foreign Application Priority Data**

Feb. 27, 1997 [GB] United Kingdom 2063643

[51] **LOC (6) Cl.** **01-01**

[52] **U.S. Cl.** **D1/127**

[58] **Field of Search** D1/101, 102, 103, D1/105, 116, 117, 118, 119, 122, 125, 124, 126, 127, 128, 129; 426/104

[56] **References Cited**

U.S. PATENT DOCUMENTS

D. 311,629 10/1990 Ragot D01/126

OTHER PUBLICATIONS

Parent's magazine, p. 102; novelty kid's pasta, star shape, D 1/126, Group 2900, Jul. 1994.

Primary Examiner—Susan J. Lucas
Attorney, Agent, or Firm—James J. Farrell

[57] **CLAIM**

The ornamental design for a confection product, as shown and described.

DESCRIPTION

FIG. 1 is a perspective view of the confection product showing the new design, the bottom and opposite side being identical to the side shown; and, FIG. 2 is a opposite end view thereof.

1 Claim, 1 Drawing Sheet

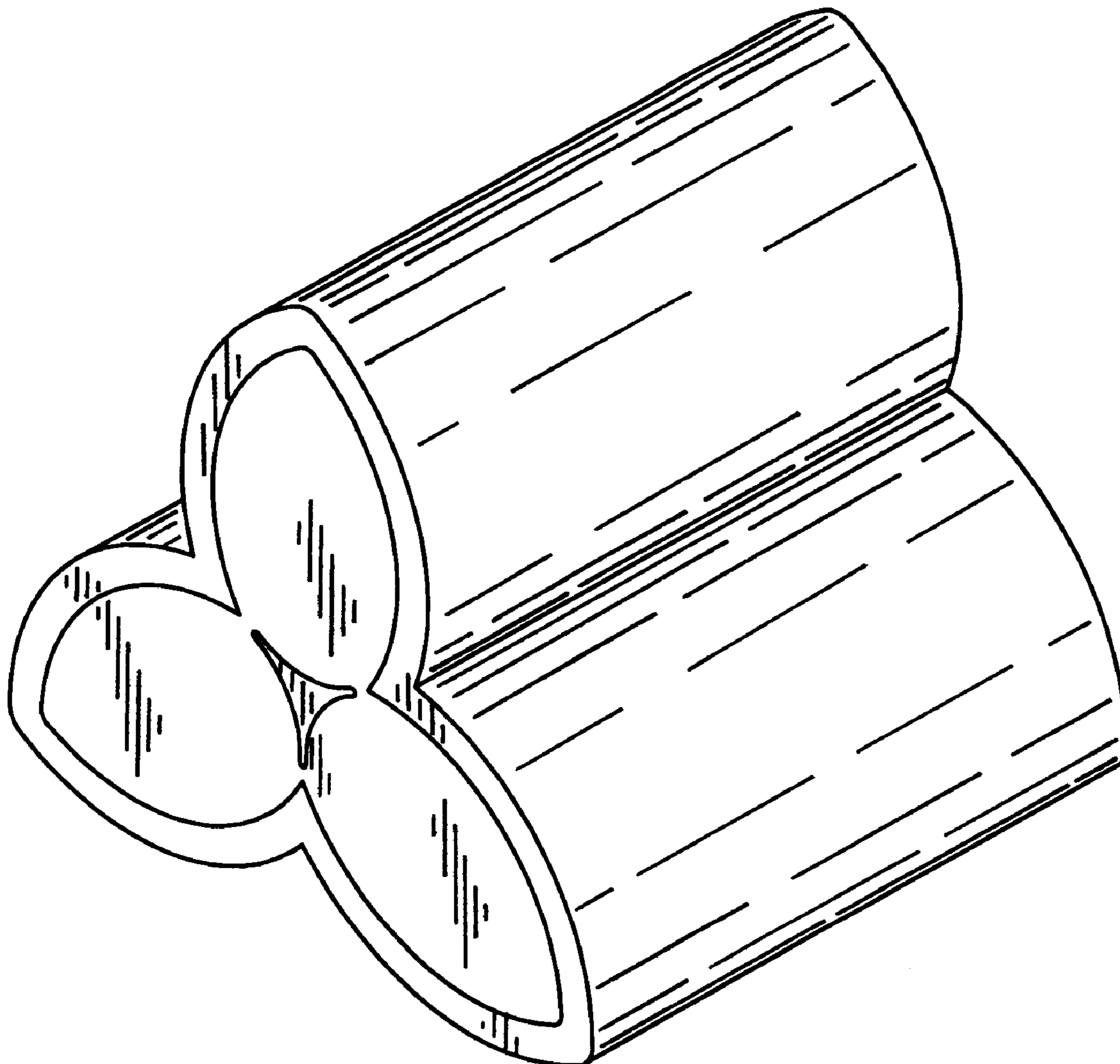


FIG. 1

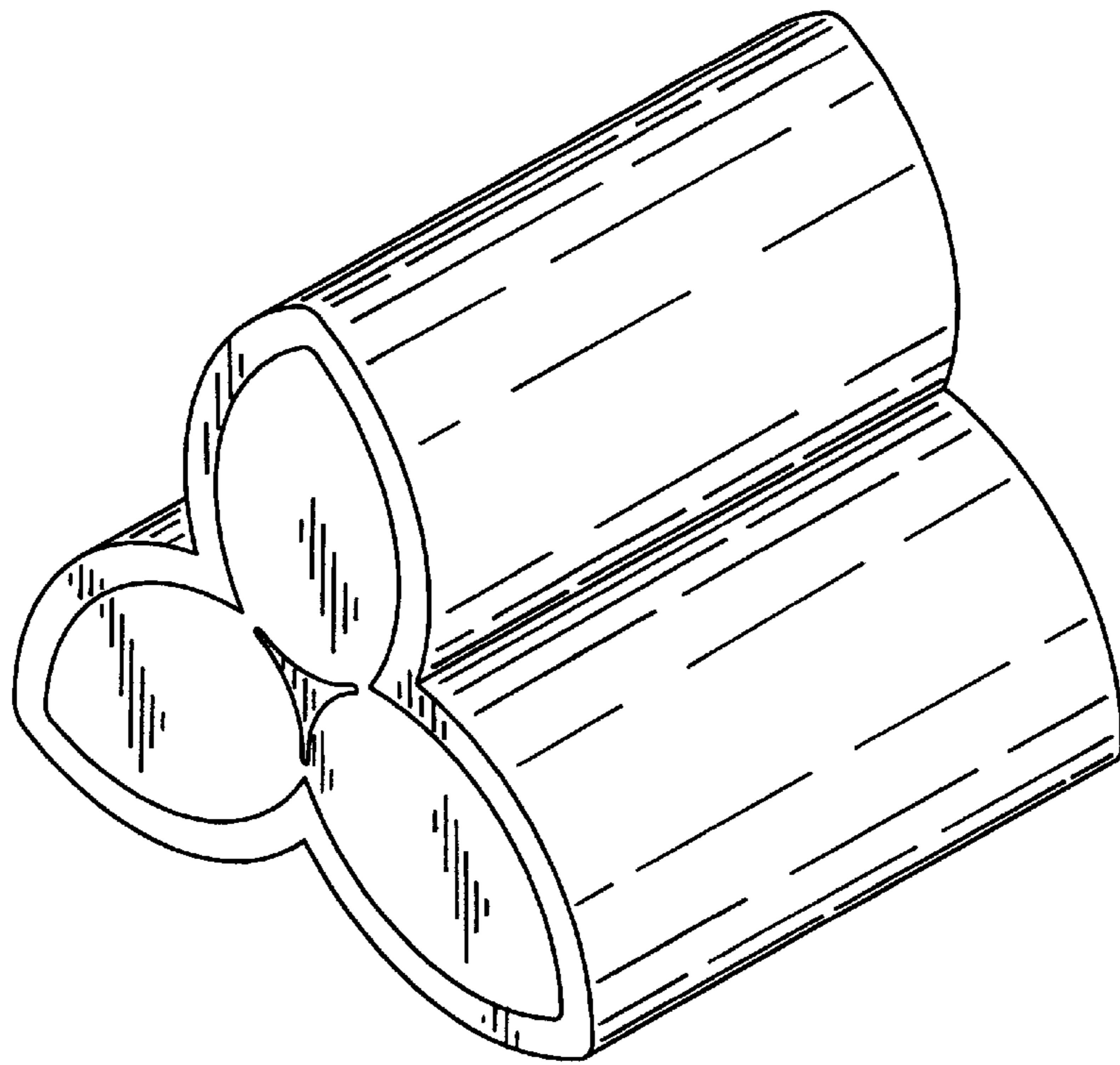


FIG. 2

