



US00D410314S

United States Patent [19]
Brown

[11] **Patent Number: Des. 410,314**

[45] **Date of Patent: ** May 25, 1999**

[54] **FOLDING CAR RAMPS**

5,201,494 4/1993 Lundman .
5,503,368 4/1996 Torres 254/88

[76] Inventor: **John D. Brown**, 4 Mayfair Drive,
Marcusbridge, Wigan, United Kingdom,
WN3 5QX

Primary Examiner—Susan J. Lucas
Assistant Examiner—Cynthia E. Ramirez
Attorney, Agent, or Firm—Rader, Fishman & Grauer PLLC

[**] Term: **14 Years**

[57] **CLAIM**

[21] Appl. No.: **29/087,332**

The ornamental design for a folding car ramp, as shown and described.

[22] Filed: **Apr. 30, 1998**

[51] **LOC (6) Cl.** **12-05**

[52] **U.S. Cl.** **D34/32**

[58] **Field of Search** D34/32, 28; 254/88;
414/537; D7/667

DESCRIPTION

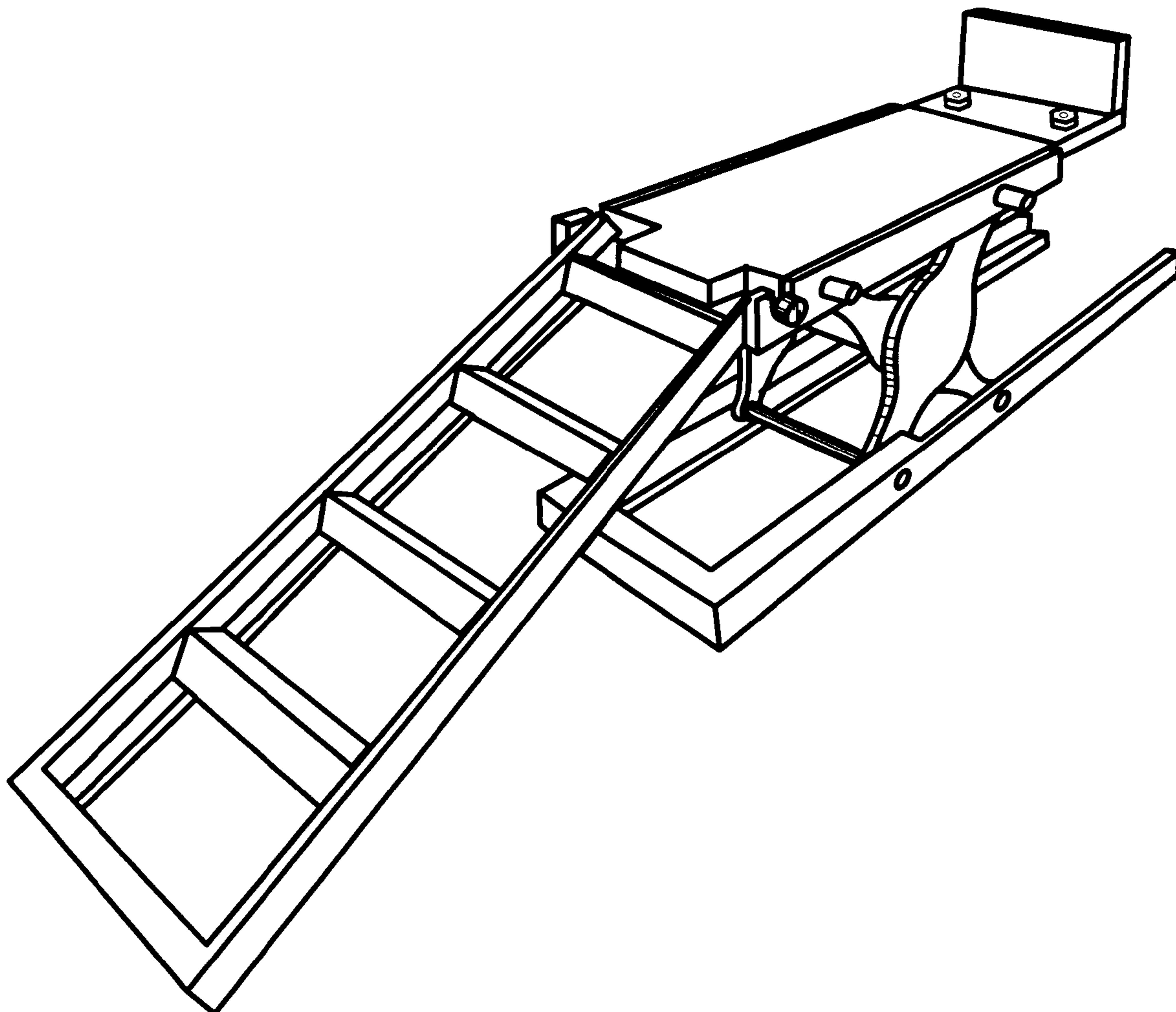
FIG. 1 is a view of the front face of the folding car ramp;
FIG. 2 is a view of the rear face of the folding car ramp;
FIG. 3 is a view of the right face of the folding car ramp;
FIG. 4 is a view of the left face of the folding car ramp;
FIG. 5 is a view of the top face of the folding car ramp;
FIG. 6 is a view of the bottom face of the folding car ramp;
and,
FIG. 7 is a perspective view of the folding car ramp.

[56] **References Cited**

U.S. PATENT DOCUMENTS

1,922,553 8/1933 McCosh .
3,994,474 11/1976 Finkbeiner 254/88
4,327,896 5/1982 Whitehead 254/88
4,421,300 12/1983 Lundman 254/88

1 Claim, 4 Drawing Sheets



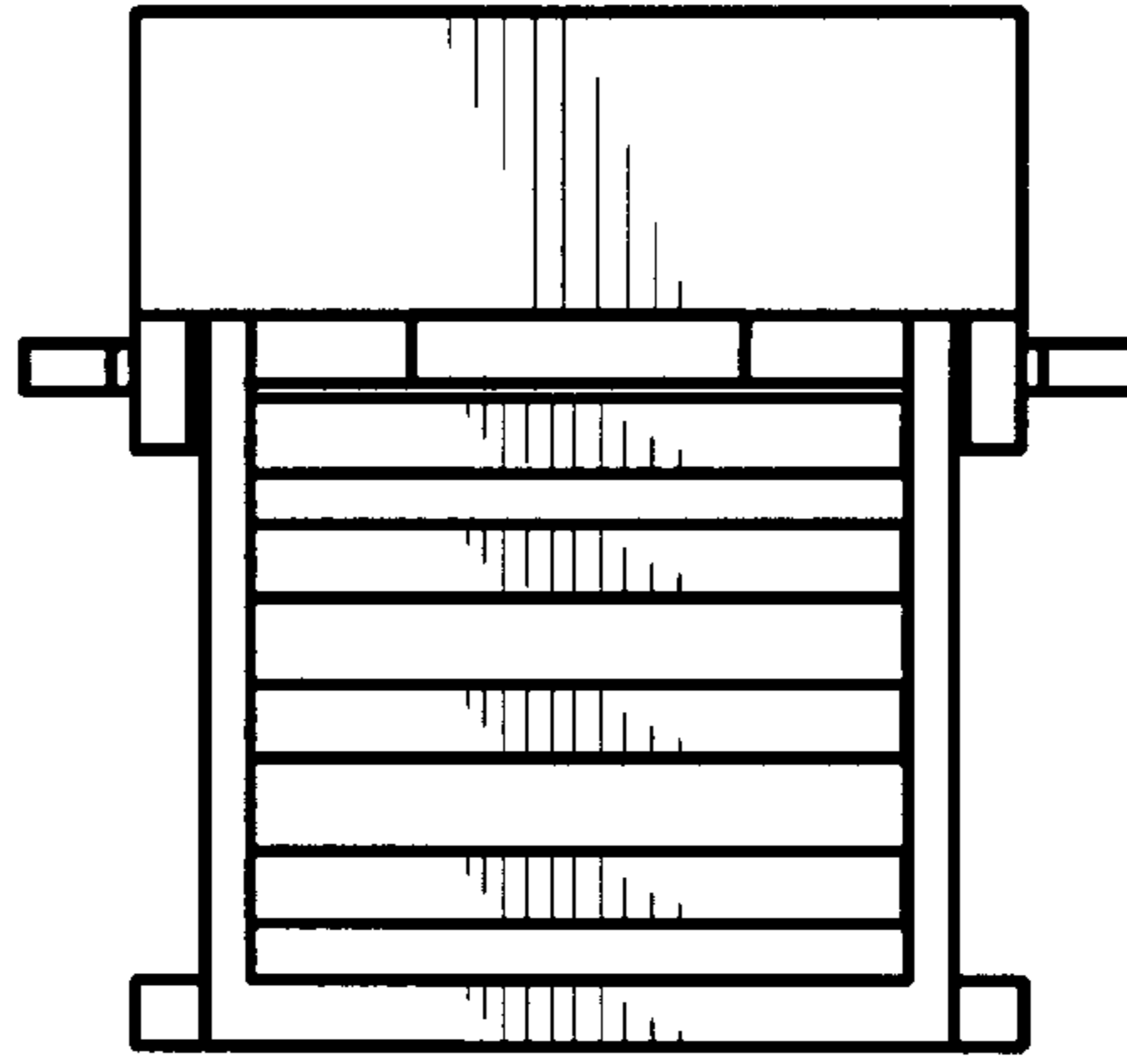


FIG 1

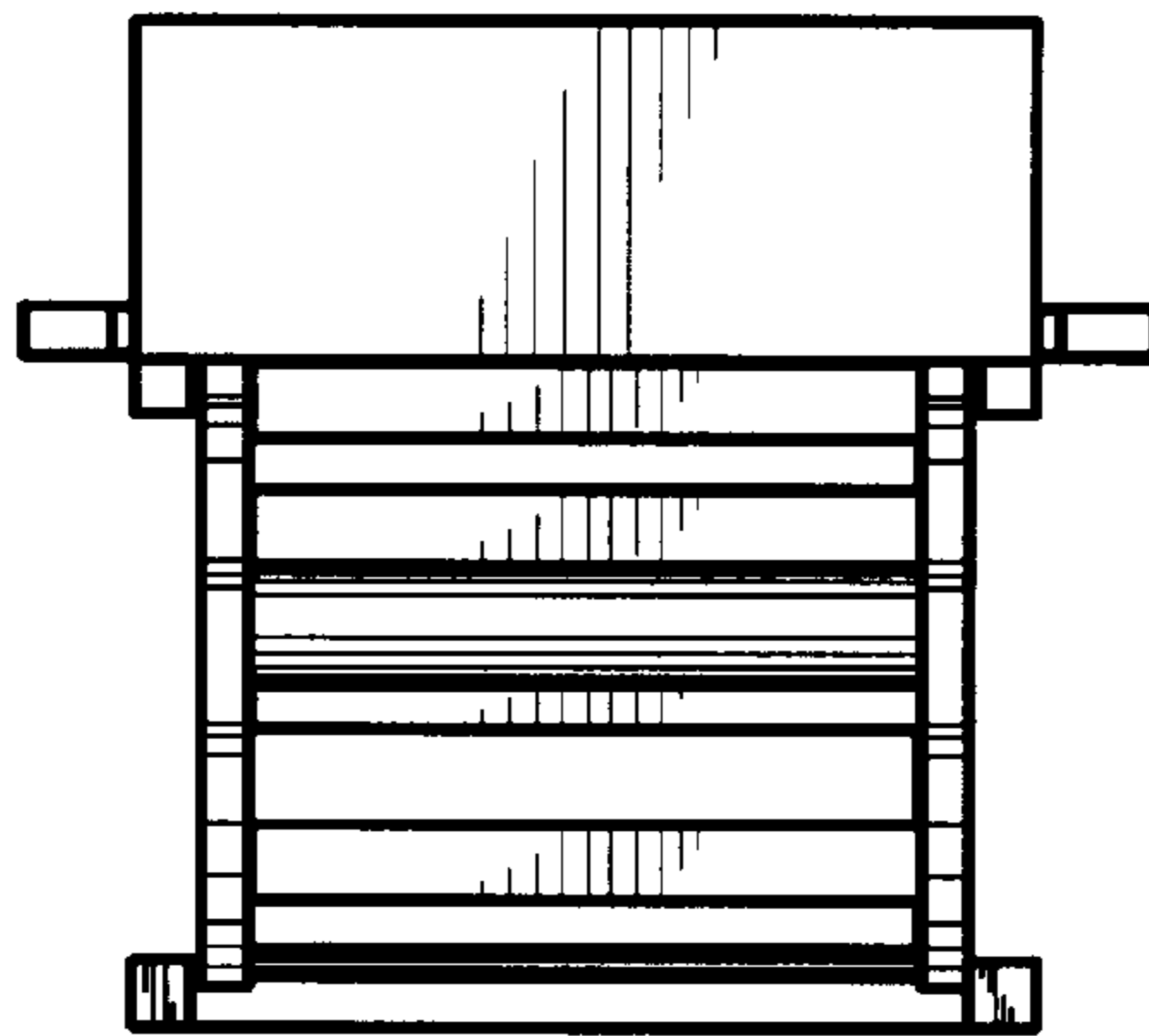


FIG 2

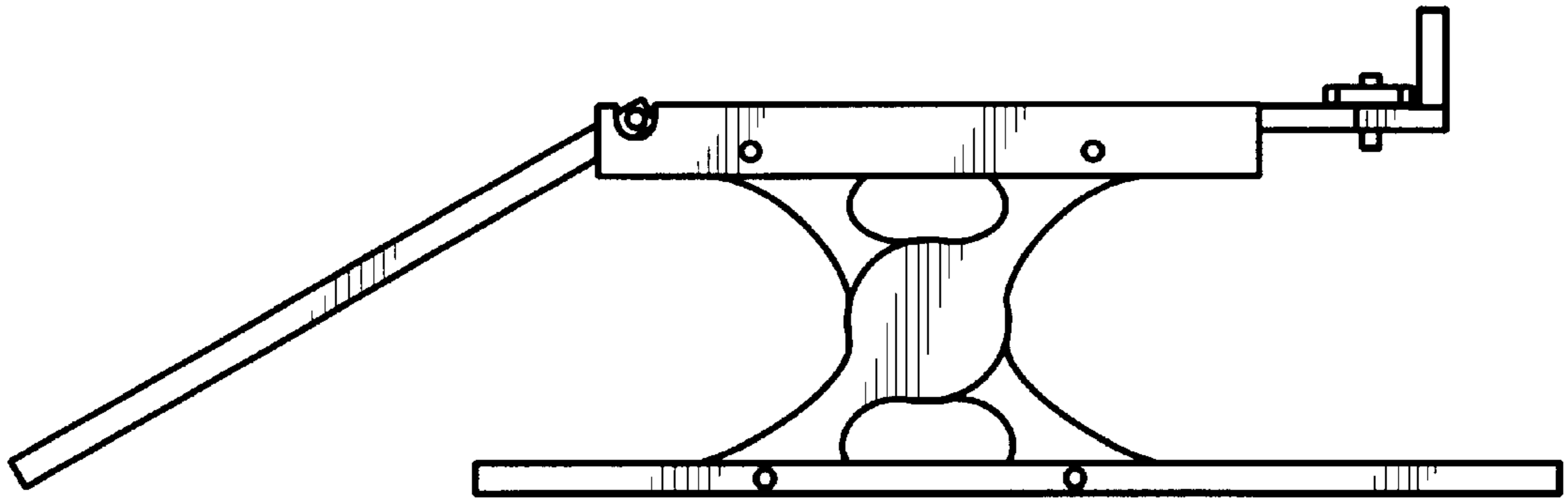


FIG 3

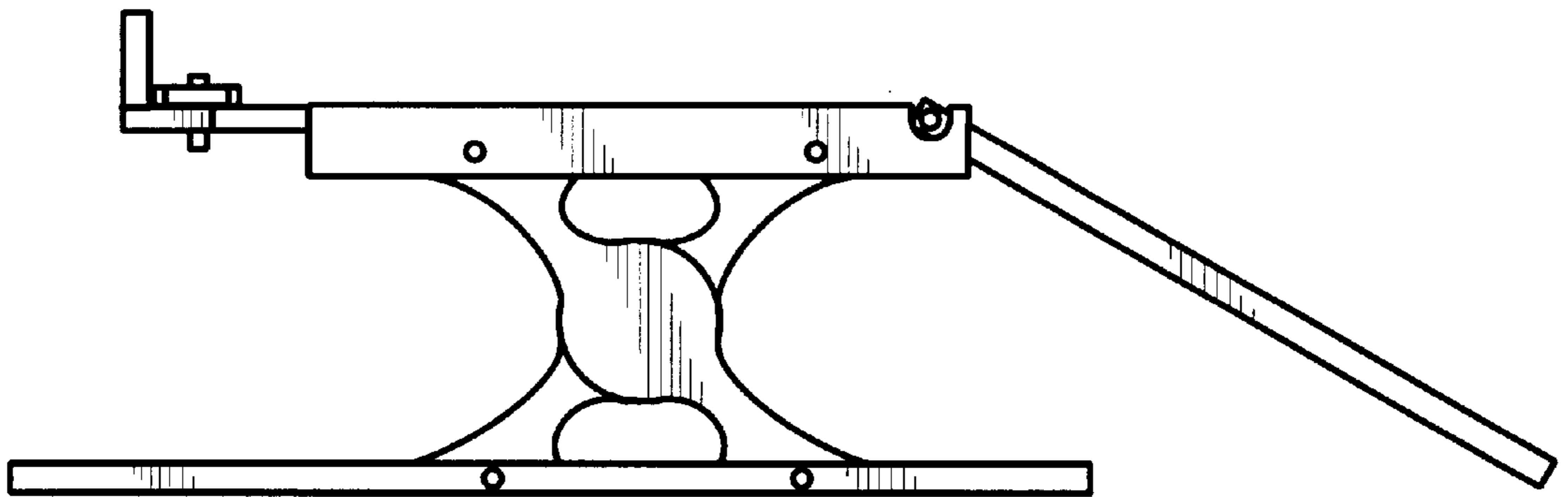


FIG 4

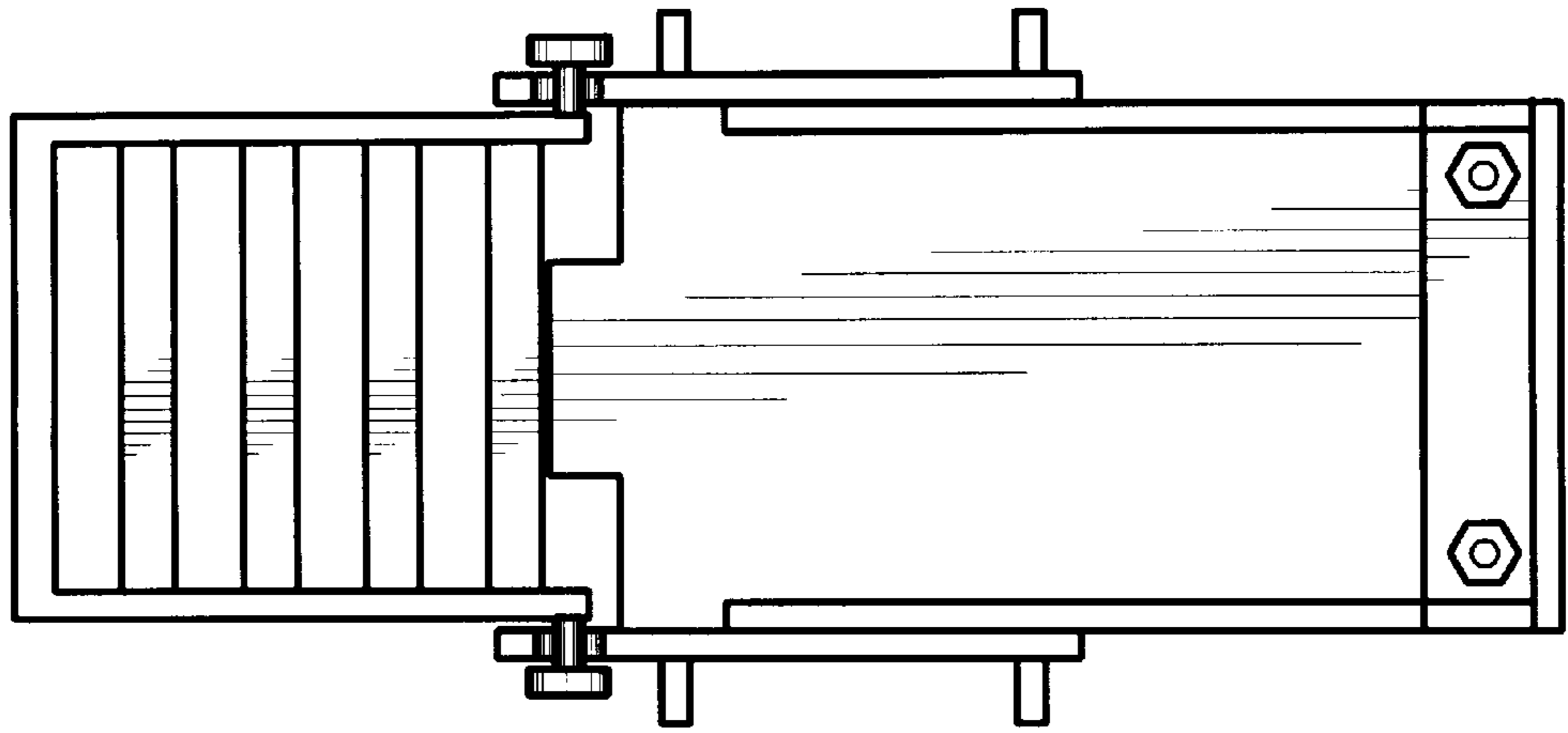


FIG 5

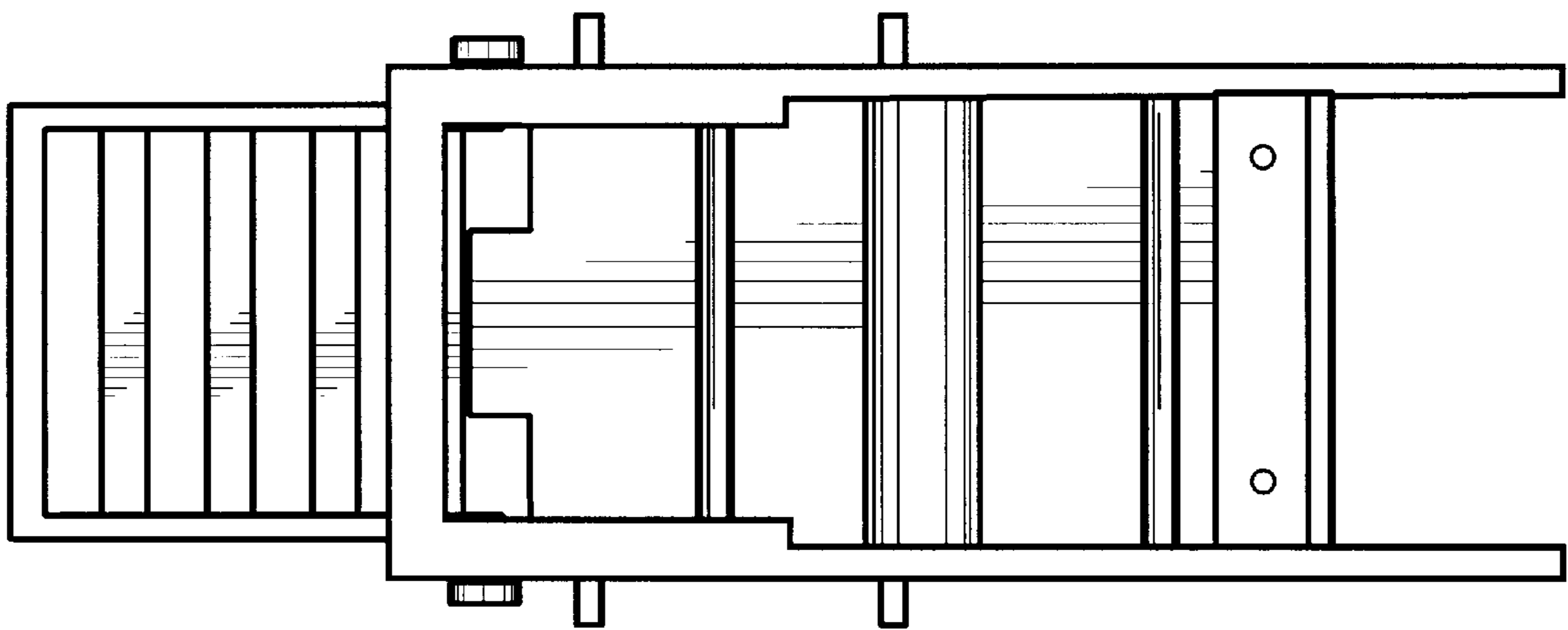


FIG 6

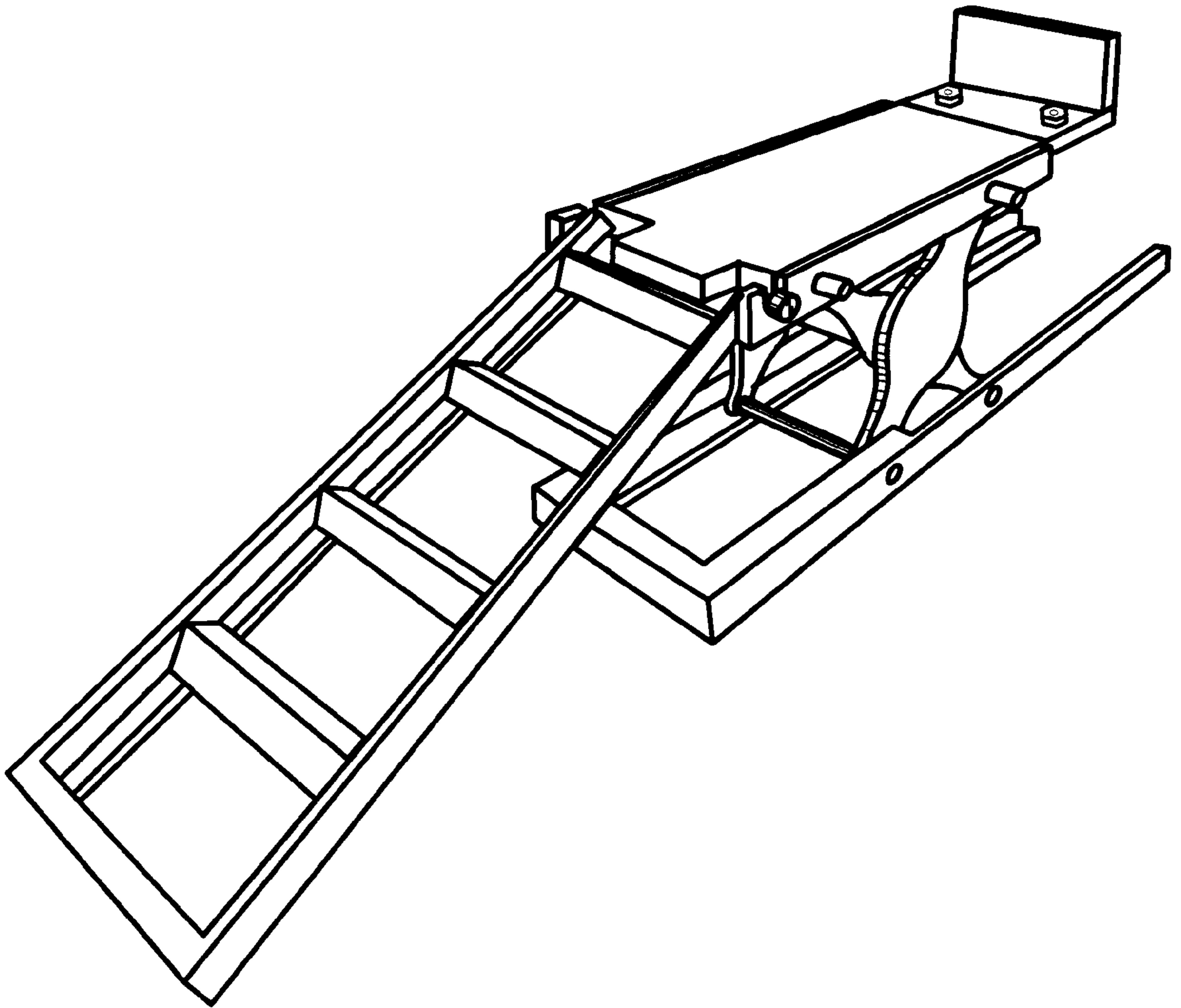


FIG 7