



US00D410313S

# United States Patent [19]

Dombek et al.

[11] **Patent Number: Des. 410,313**

[45] **Date of Patent: \*\* May 25, 1999**

[54] **POWER BUGGY**

[75] Inventors: **Gregory S. Dombek**, Germantown;  
**Steven E. Jansen**, Wild Rose; **Alan D. Bengtson**, Shorewood, all of Wis.

[73] Assignee: **Wacker Corporation**, Menomonee Falls, Wis.

[\*\*] Term: **14 Years**

[21] Appl. No.: **29/092,915**

[22] Filed: **Aug. 31, 1998**

[51] **LOC (6) Cl.** ..... **12-02**

[52] **U.S. Cl.** ..... **D34/19; D34/17; D34/16**

[58] **Field of Search** ..... **D34/12-27; 280/47.23, 280/47.31, 47.26; 180/19.1, 19.3; 298/3**

[56] **References Cited**

**U.S. PATENT DOCUMENTS**

D. 357,101	4/1995	Uyehara et al. ....	D34/16
5,350,030	9/1994	Mawhinney et al. ....	180/19.3
5,465,801	11/1995	Hoover .....	180/19.1

**OTHER PUBLICATIONS**

The Wheel-Burro™ from Schroeder Industries, L-2384, Jan. 1997.

Miller-Scout-Crete MB11 walk behind power buggy, MB16/21 stand on power buggy and T70 sit-down power buggy, pp. 2-7.

Morrison Hydraulic Power Buggies, Morrison Division of Amida Industries, Inc., PUB #372, CG-0197-5M.

Whiteman Power Buggies, Amida Industries, Inc. PUB #356-SP-0295-10M.

*Primary Examiner*—Kay H. Chin  
*Attorney, Agent, or Firm*—Nilles & Nilles

[57] **CLAIM**

The ornamental design for a power buggy, as shown and described.

**DESCRIPTION**

FIG. 1 is a left-side elevation view of a power buggy incorporating our new design;

FIG. 2 is a right-side elevation view thereof;

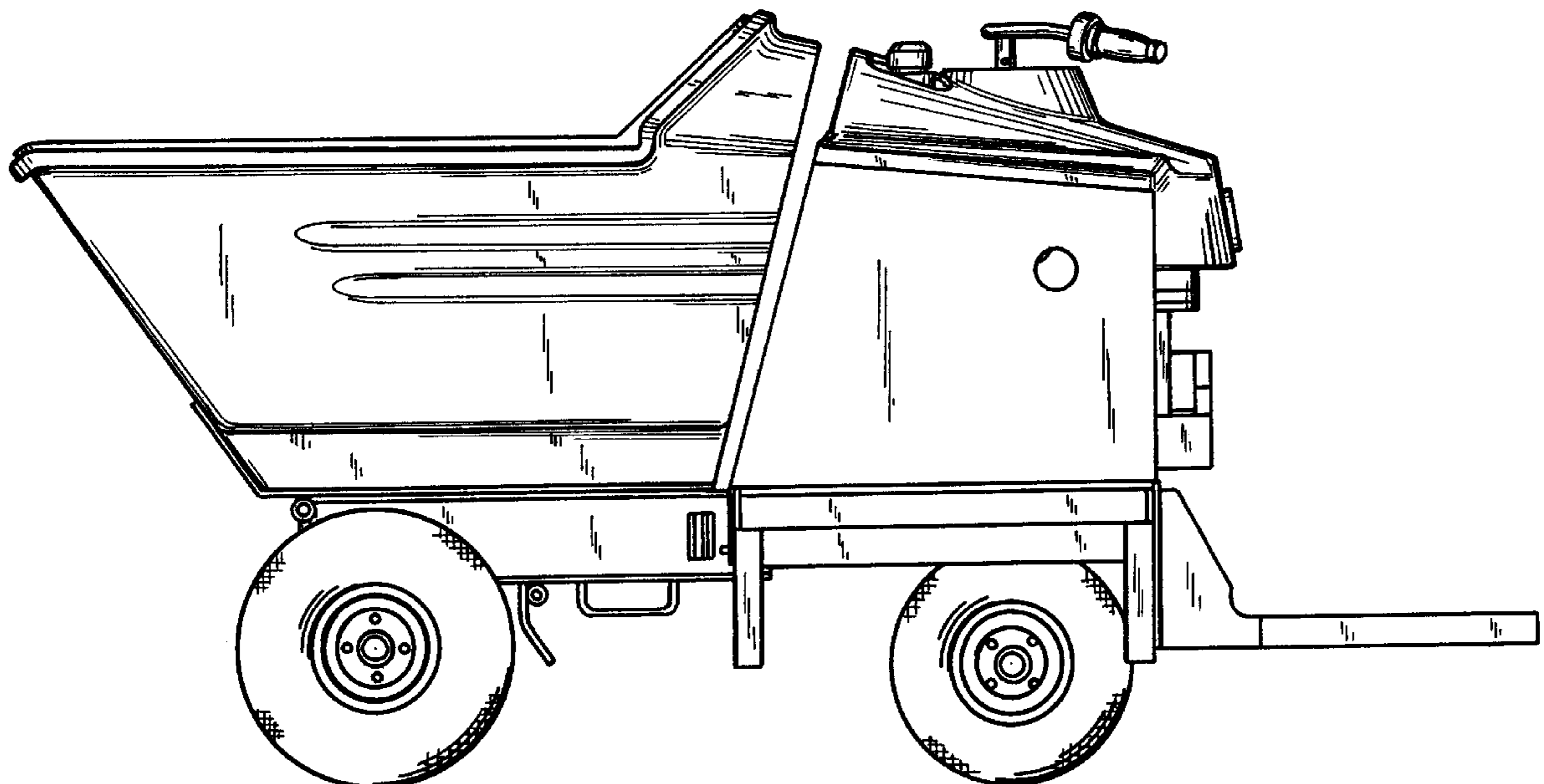
FIG. 3 is a front elevation view thereof;

FIG. 4 is a rear elevation view thereof;

FIG. 5 is a top plan view thereof; and,

FIG. 6 is a bottom plan view thereof.

**1 Claim, 5 Drawing Sheets**



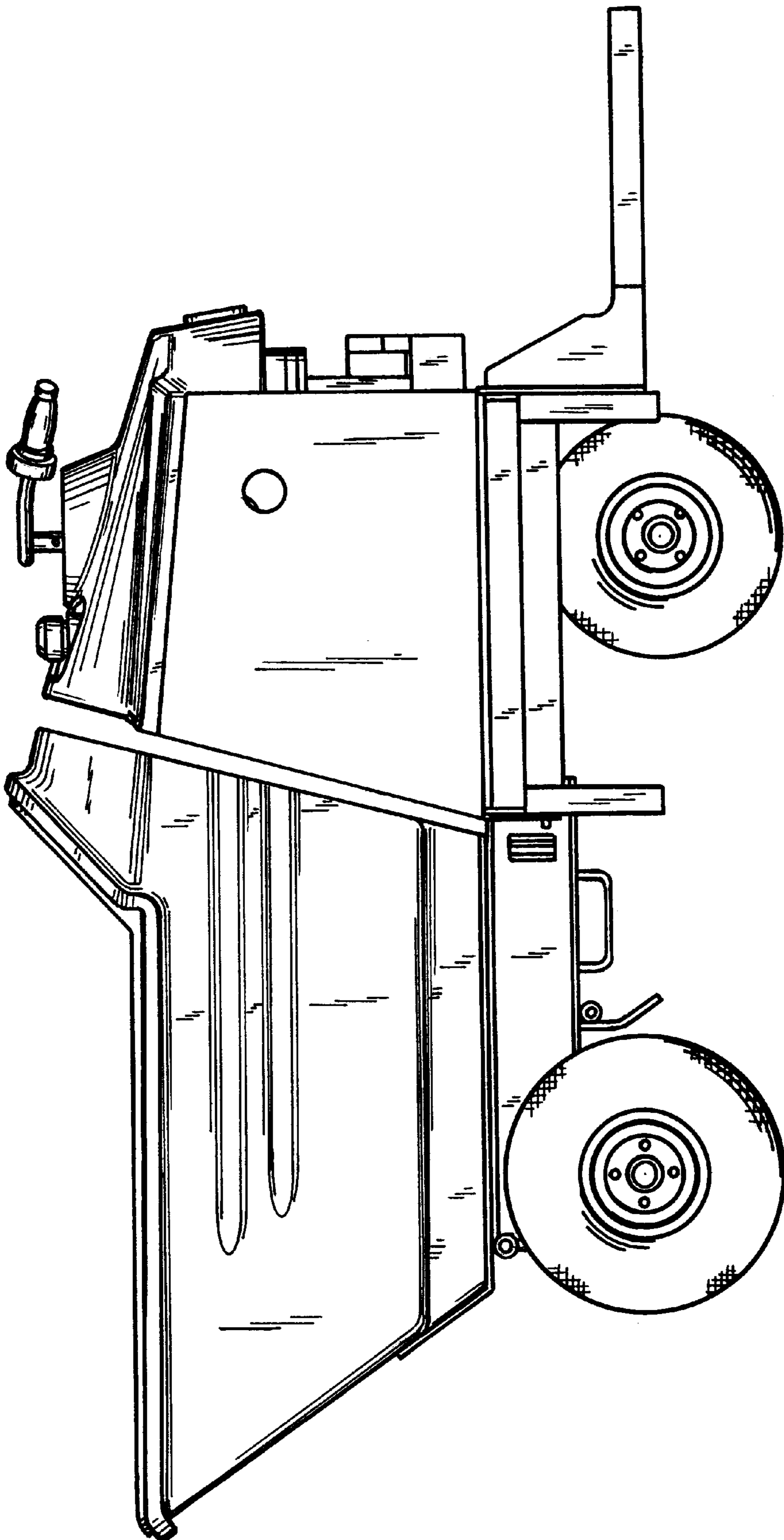


FIG. 1

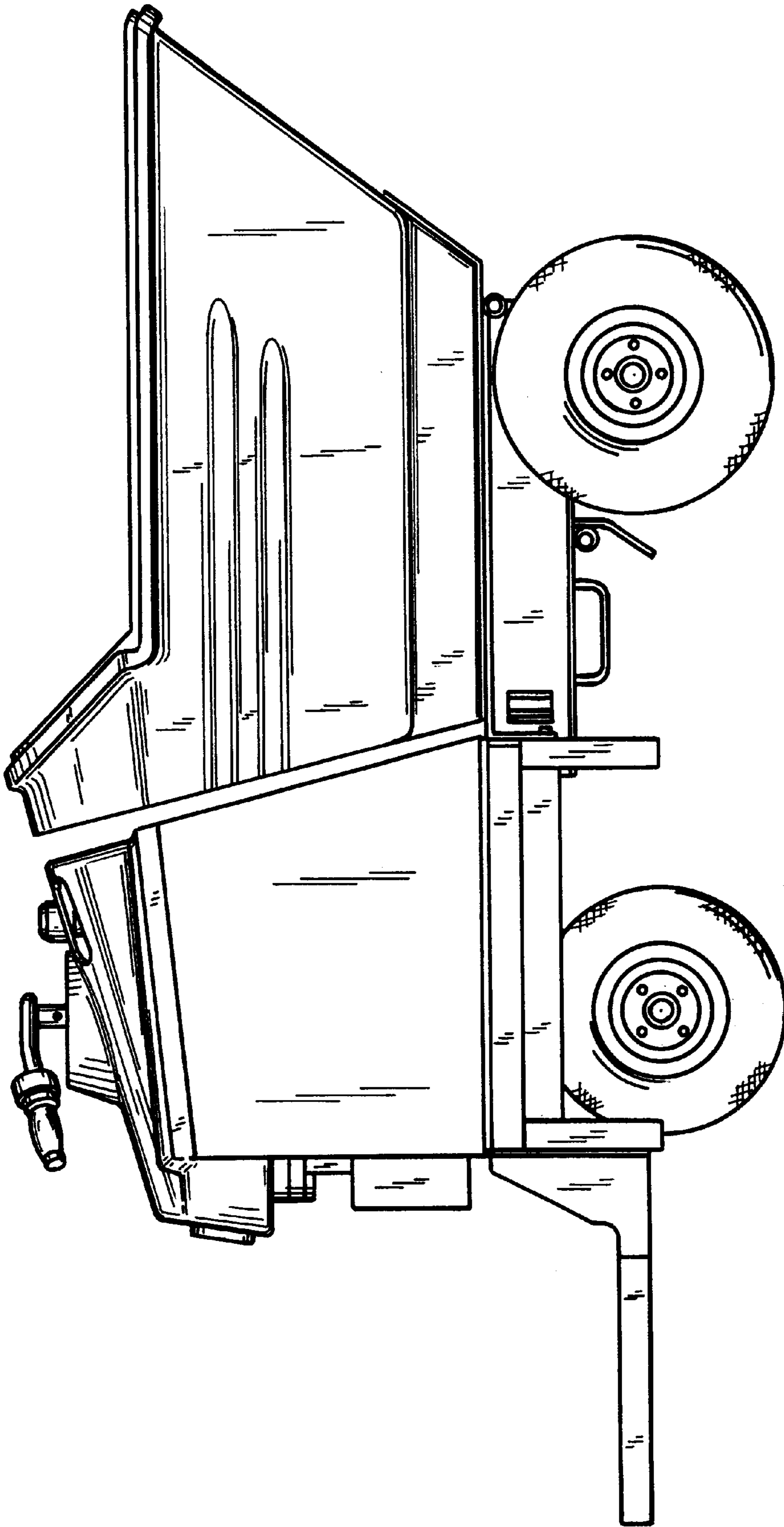


FIG. 2

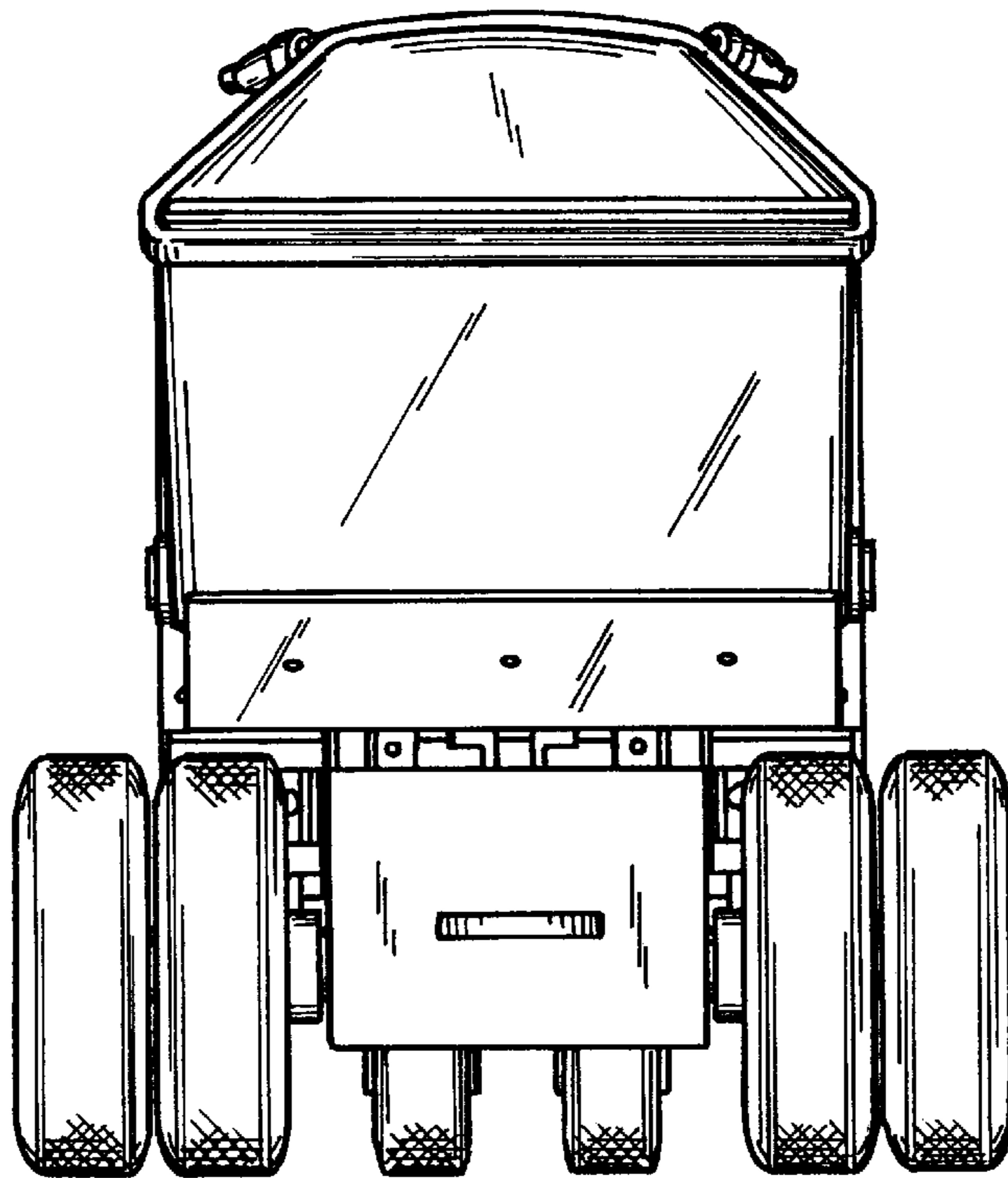


FIG. 3

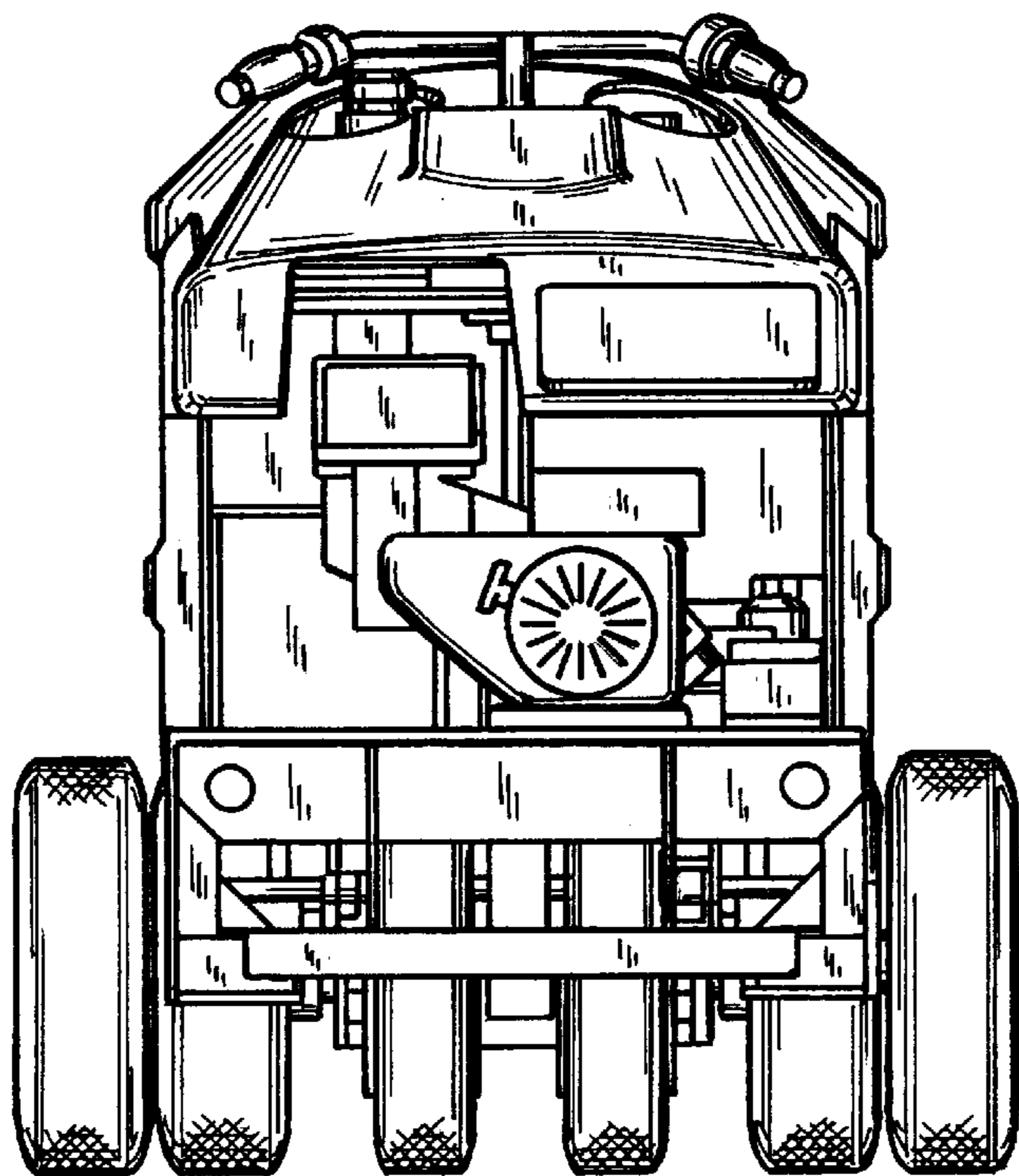


FIG. 4

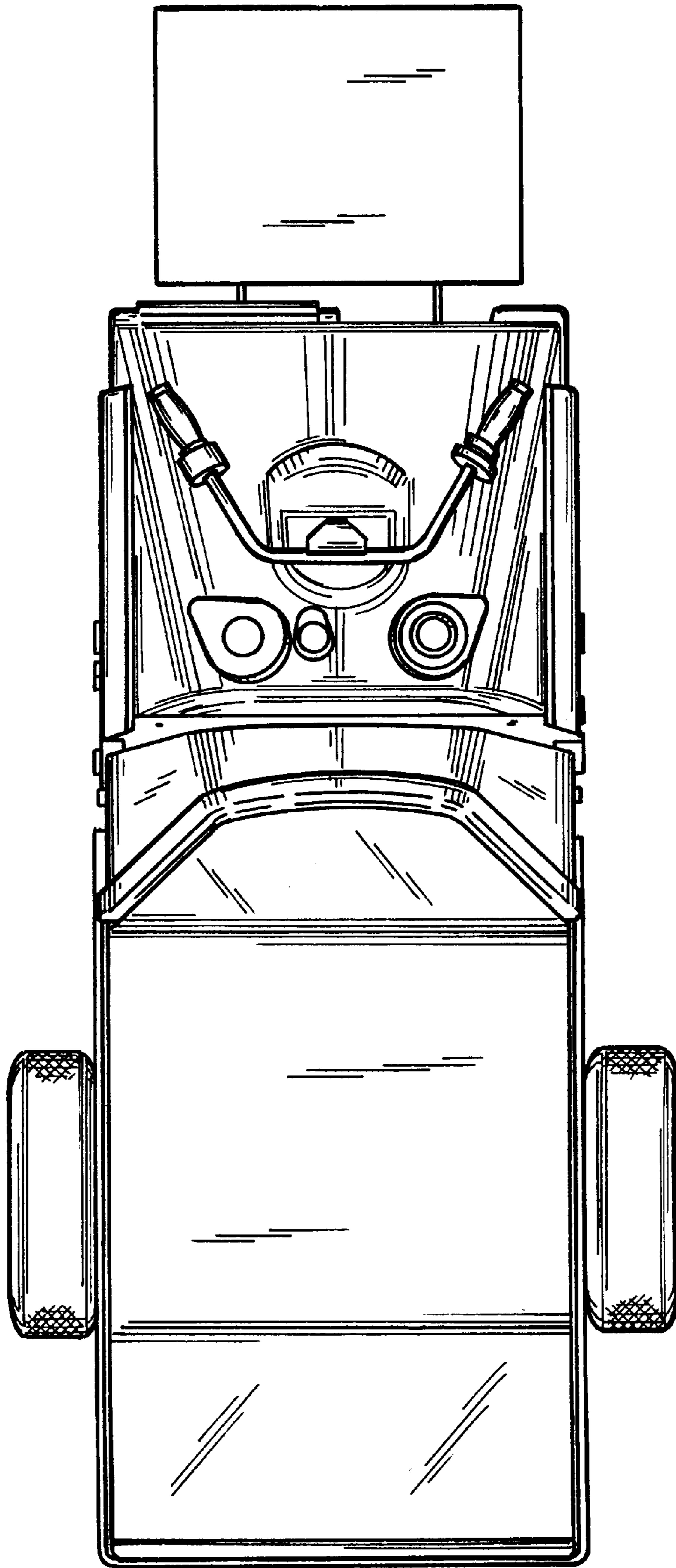


FIG. 5

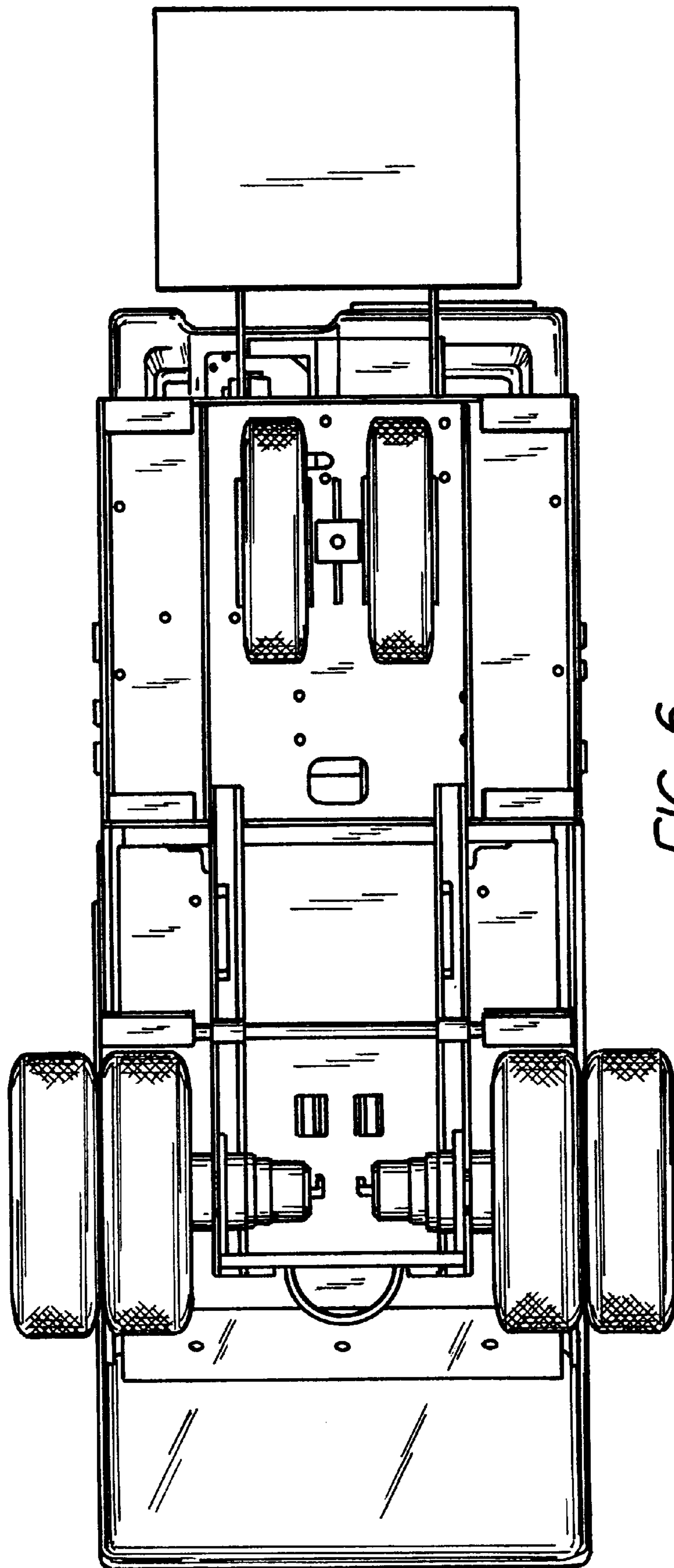


FIG. 6